

# Large Flow Lubricator

## Series AL800/900

### Individual lubrication Large flow type



AL800



AL900

Symbol



### Standard Specifications

| Model   | AL800   | AL900 |
|---|---|-------|
| Port size   | 1 1/4<br>1 1/2                                    | 2     |
| Fluid   | Air   |       |
| Proof pressure                                      | 1.5 MPa   |       |
| Max. operating pressure                             | 1.0 MPa   |       |
| Min. operating flow (L/min (ANR)) <sup>(Note)</sup> | 1 1/4 : 460<br>1 1/2 : 650                        | 1800  |
| Bowl capacity (cm <sup>3</sup> )                    | 380 (Capacity between levels 350)                 |       |
| Recommended lubricant                               | Turbine oil Class 1 (With no additives), ISO VG32 |       |
| Ambient and fluid temperature                       | -5 to 60°C (No freezing)                          |       |
| Bowl material                                       | Polycarbonate                                     |       |
| Weight (kg)   | 1.56  | 1.78  |
| Accessory (Standard)                                | Bowl guard  | ●     |

Note) • Conditions: Inlet pressure = 0.5 MPa, Number of drop = 5 drops/min, Turbine oil Class 1 (with no additives) ISO VG32, Temperature = 20°C, Needle fully open  
• Use consumption air flow for operating minimum flow.

### How to Order

AL 80 0 - [ ] 12 - 23 - R

AL: Lubricator  
80: Body size  
0: [ ]: Thread type  
12: Port size  
23: Semi-standard  
R: Semi-standard (Flow direction: Right → Left)

| Body size | 80    | 90 |
|-----------|-------|----|
| 1 1/2     | 1 1/2 | 2  |

| Port size | 12    | 14    | 20 |
|-----------|-------|-------|----|
| 1 1/4     | 1 1/4 | 1 1/2 | 2  |

| Thread type | Nil | Rc |
|-------------|-----|----|
| N           | NPT |    |
| F           | G   |    |

| Semi-standard  | 1 | 1S-1 | 1S-2 | 2 | 3 | 6 | 8 | R |
|--|---|------|------|---|---|---|---|---|
| 1000 cm <sup>3</sup> tank                                |   |      |      |   |   |   |   | ○ |
| 1000 cm <sup>3</sup> tank with switch (Bottom limit ON)  |   |      |      |   |   |   |   | ◎ |
| 1000 cm <sup>3</sup> tank with switch (Bottom limit OFF) |   |      |      |   |   |   |   | ◎ |
| Metal bowl   |   |      |      |   | ◎ |   |   | ◎ |
| With drain cock  |   |      |      | ◎ |   | ◎ | ◎ | ◎ |
| Nylon bowl (Including sight dome)                        |   |      |      |   | ◎ |   |   | ◎ |
| Metal bowl with level gauge                              |   |      |      |   |   |   |   | ◎ |

• When specifying more than one option, please list alphabetically. (Example) 23-R

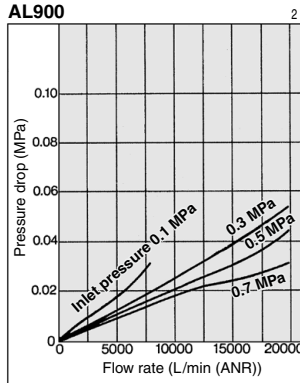
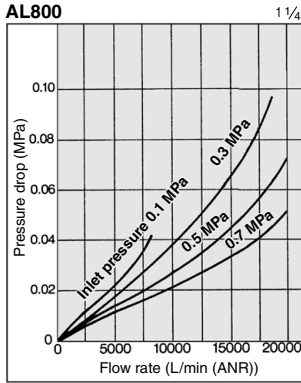
### Semi-standard Combinations

◎ Available □ Not available

| Accessory, Semi-standard                            | Symbol | Option |      |      |   |   |   |   |   |
|---|--------|--------|------|------|---|---|---|---|---|
|   |        | 1      | 1S-1 | 1S-2 | 2 | 3 | 6 | 8 | R |
| 1000 cm <sup>3</sup> tank                           | -1     |        |      |      |   |   |   |   | ◎ |
| 1000 cm <sup>3</sup> (With switch) Bottom limit ON  | -1S-1  |        |      |      |   |   |   |   | ◎ |
| 1000 cm <sup>3</sup> (With switch) Bottom limit OFF | -1S-2  |        |      |      |   |   |   |   | ◎ |
| Metal bowl  | -2     |        |      |      |   | ◎ |   |   | ◎ |
| Lubricator with drain cock                          | -3     |        |      |      | ◎ |   | ◎ | ◎ | ◎ |
| Nylon bowl  | -6     |        |      |      |   | ◎ |   |   | ◎ |
| Metal bowl with level gauge                         | -8     |        |      |      |   |   |   |   | ◎ |
| Flow direction: Right to left                       | -R     | ◎      | ◎    | ◎    | ◎ | ◎ | ◎ | ◎ | ◎ |

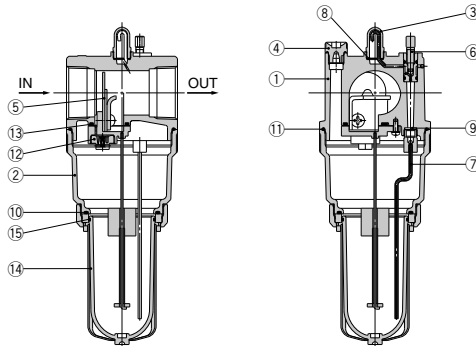
Note) -1, -1S-1 and -1S-2 are with metal bowl with level gauge and with drain cock.

## Flow Characteristics (Representative Value)



## Construction

**AL800/900**



## Component Parts

| No. | Description | Material            |                 | Note                    |
|-----|-------------|---------------------|-----------------|-------------------------|
|     |             | AL800               | AL900           |                         |
| 1   | Body        | Aluminum die-casted | Aluminum casted | Platinum silver painted |
| 2   | Housing     | Aluminum die-casted |                 | Platinum silver painted |

## Replacement Parts

| No. | Description               | Material        | Part no.      |                                    | Qty.        |             |           |
|-----|---------------------------|-----------------|---------------|------------------------------------|-------------|-------------|-----------|
|     |                           |                 | AL800         | AL900                              |             |             |           |
| 3   | Sight dome                | Standard        | Polycarbonate | 12316                              | 12316       | 1           |           |
|     |                           | -6              | Nylon         | 123156                             | 123156      |             |           |
| 4   | Lubrication plug assembly | —               |               | 12314PA                            | 12314PA     | 1           |           |
| 5   | Bumper assembly           | Standard        | —             | 123413A-1(12)                      | 123528A     | 1           |           |
|     |                           |                 |               | 123413A-2(14)                      |             |             |           |
|     |                           |                 |               | 123417A(12) <small>Note 1)</small> |             |             |           |
|     |                           |                 |               | 123416A(14) <small>Note 1)</small> | 123528-1A   |             |           |
| 6   | Needle stud assembly      | —               |               | 123128PA                           | 123128PA    | 1           |           |
| 7   | Siphon tube assembly      | Standard        | —             | 124232A                            | 124232A     | 1           |           |
|     |                           |                 |               | -8                                 | 123321-1A   |             | 123321-1A |
|     |                           |                 |               | -1                                 | 123321-4A   |             | 123321-4A |
| 8   | Sight dome seal           | Urethane rubber |               | 12318                              | 12318       | 1           |           |
| 9   | Siphon nut seal           | Urethane rubber |               | 123111                             | 123111      | 1           |           |
| 10  | O-ring                    | NBR             |               | 113136                             | 113136      | 1           |           |
| 11  | O-ring                    | NBR             |               | KA00466                            | KA00466     | 1           |           |
| 12  | Bumper retainer assembly  | -2, -8          | —             | 123032A                            | —           | 1           |           |
| 13  | Bumper retainer seal      | Standard        | NBR           | 123058                             | —           | 1           |           |
|     |                           |                 |               | -2                                 | C4SL        | C4SL        | 1         |
|     |                           |                 |               | -3                                 | C4SL-2      | C4SL-2      |           |
|     |                           |                 |               | -6                                 | C4SL-3      | C4SL-3      |           |
|     |                           |                 |               | -8                                 | C4SL-6      | C4SL-6      |           |
|     |                           |                 |               | -1                                 | C4LL-8      | C4LL-8      |           |
|     |                           |                 |               | -1S-1                              | 800147AP    | 800147AP    |           |
|     |                           |                 |               | -1S-2                              | 800147A-S1P | 800147A-S1P |           |
|     |                           |                 |               |                                    | 800147A-S2P | 800147A-S2P |           |
|     |                           |                 |               |                                    | C4SFP-260S  | C4SFP-260S  |           |
| 15  | O-ring                    | NBR             |               | C4SFP-260S                         | C4SFP-260S  | 1           |           |

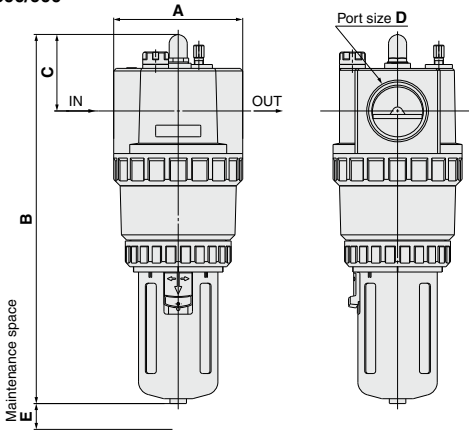
Note 1) Description: Bumper assembly  
 Note) O-ring ⑪ is attached.

AL800  
AL900  
ALF  
ALT  
ALD  
ALB  
LMU  
ALIP  
AEP  
HEP

# Series AL800/900

## Dimensions

### AL800/900

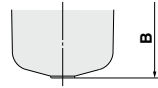


### Semi-standard/Dimensions

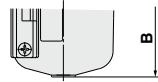
| Model | Port size D  | A   | B   | C  | E   |
|-------|--------------|-----|-----|----|-----|
| AL800 | 1 1/4, 1 1/2 | 100 | 286 | 59 | 125 |
| AL900 | 2            | 100 | 292 | 63 | 125 |

## Semi-standard

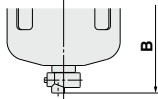
### Metal bowl



### Metal bowl with level gauge

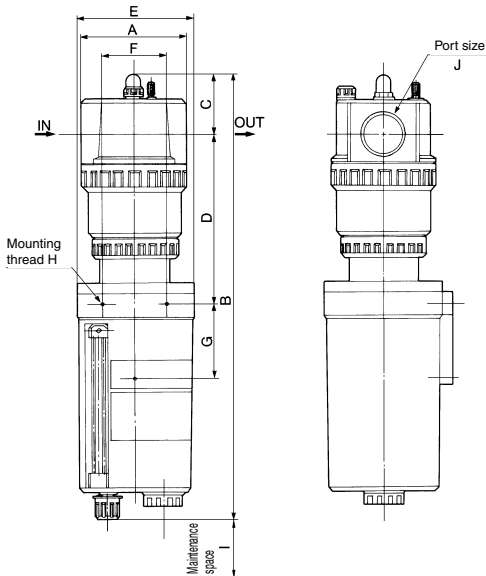


### With drain cock



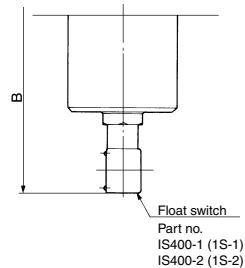
| Model | B          |                             |                 |
|-------|------------|-----------------------------|-----------------|
|       | Metal bowl | Metal bowl with level gauge | With drain cock |
| AL800 | 286        | 306                         | 297             |
| AL900 | 292        | 312                         | 303             |

## Semi-standard/1000 cm<sup>3</sup> Tank



### Float switch

Contact point capacity: AC: 15 VA, DC: 15 W  
Contact point construction: 1a, 1b



| Model            | Port size J  | A   | B*        | C  | D   | E    | F  | G  | H                      | I   |
|------------------|--------------|-----|-----------|----|-----|------|----|----|------------------------|-----|
| AL800-12 to 14-1 | 1 1/4, 1 1/2 | 100 | 431 (481) | 59 | 166 | ø117 | 60 | 73 | 3 x M5 x 0.8 x depth 6 | 230 |
| AL900-20-1       | 2            | 100 | 437 (487) | 63 | 162 | ø117 | 60 | 73 | 3 x M5 x 0.8 x depth 6 | 230 |

\* ( ): With float switch