

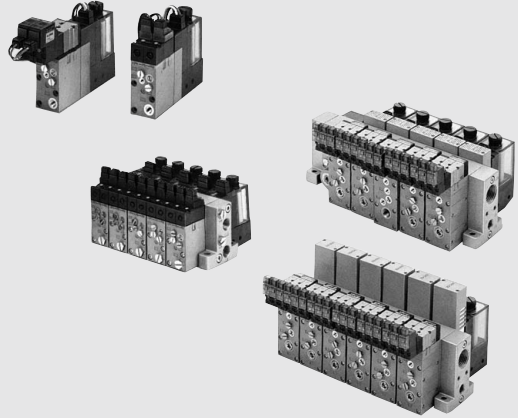
# Compact Pressure Switch

Series **ZSE2** (For Vacuum)/**ISE2** (For Positive Pressure)

For General Pneumatics



Can be integrated with ZX or ZR ejector system.



ZSE30
ISE30
ZSE40
ISE40
ZSE10
ISE10
ISE70
ZSE80
ISE80
ZSE
ISE
ZSP
PS
ISA2
PSE
IS
ISG
ZSM1

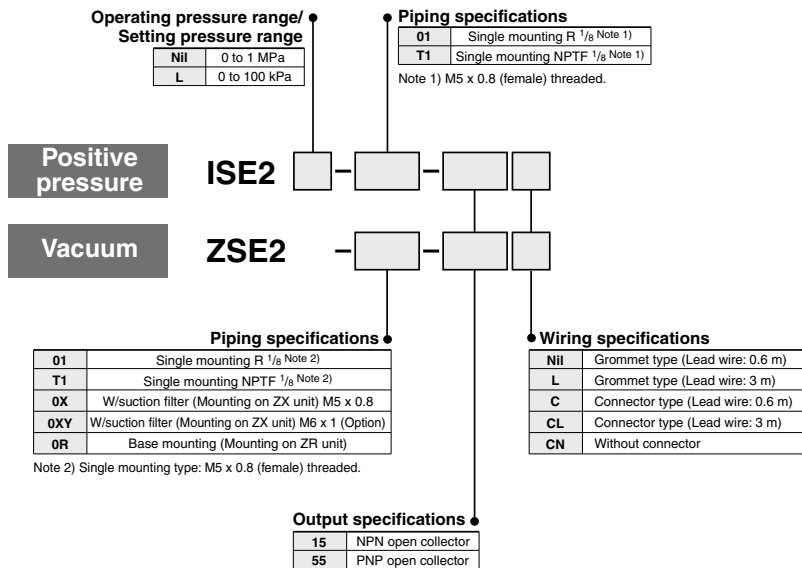
## Easy and simple wiring

Connector type

# Compact Pressure Switch

## Series ZSE2/ISE2

### How to Order



### With Connector/How to Order

- Without lead wire (Connector 1 pc., Socket 3 pcs.) .....ZS-10-A
- With lead wire .....ZS-10-5A-□

Note) When ordering switch with 5 m long lead wire, indicate both part numbers.

Ex.) ZSE2-01-15CN.....1 pc.  
ZS-10-5 A-50.....1 pc.

#### Lead wire length

Nil	0.6 m
30	3 m
50	5 m

### Replacement Element (Filter) Part Number (Refer to page 843)

- Filter vessel assembly (Filter vessel, Filter element).....ZX1-FK-PC
- Filter element .....ZX1-FE
- Filter gasket.....ZX1-FG

# Compact Pressure Switch *Series ZSE2/ISE2*

For details about the Pressure Switch Precautions, refer to pages 763 and 764. For details about the Specific Product Precautions, refer to the Operation Manual at SMC website. Click [here](#) for details.

## Specifications

Model		ZSE2	ISE2L	ISE2
Rated pressure range/Set pressure range		For vacuum 0 to -101 kPa	For low pressure 0 to 100 kPa	For positive pressure 0 to 1 MPa
Proof pressure		500 kPa		1.5 MPa
Fluid		Air/Non-corrosive, non-flammable gas		
Power supply voltage		12 to 24 VDC $\pm 10\%$ , Ripple (P-P) 10% or less (With power supply polarity protection)		
Current consumption		17 mA or less at 24 VDC		
Response time		5 ms or less		
Repeatability		$\pm 1\%$ F.S. or less		
Resistance	Enclosure	IP40		
	Operating temperature range	Operating: 0 to 60°C, Stored: -10 to 60°C (With no condensation and no freezing)		
	Operating humidity range	Operating/Stored: 35 to 85%RH (With no condensation)		
Temperature characteristics(Based on 25°C)		$\pm 3\%$ F.S. or less		
Withstand voltage		1000 VAC for 1 min. (between terminals and housing)		
Insulation resistance		50 M $\Omega$ or more (500 VDC measured via megohmmeter) between terminals and housing		
Port size		O1: R 1/8, M5 x 0.8 T1: NPTF 1/8, M5 x 0.8 OX: With suction filter (For mounting on ZX unit) OR: Base mount type (For mounting on ZR unit)		
Weight		35 g (Including 0.6 m-Long lead wire)		
Lead wire	Grommet type	Oilproof heavy-duty vinyl cable 3 cores, $\phi 3.4$ , Conductor area: 0.2 mm <sup>2</sup> , Insulator O.D.: 1.1 mm		
	Connector type	Heat-resistant vinyl electric wire, 3-wire, Conductor area: 0.31 mm <sup>2</sup> , Insulator O.D.: 1.55 mm		
Standard		CE, RoHS		

ZSE30  
ISE30

ZSE40  
ISE40

ZSE10  
ISE10

ISE70

ZSE80  
ISE80

ZSE  
ISE

ZSP

PS

ISA2

PSE

IS

ISG

ZSM1

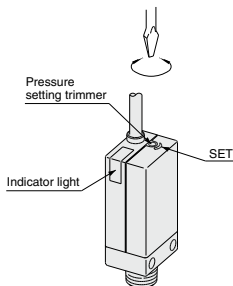
## Output Specifications

Model	-15	-55
Switch output	NPN open collector 30V, 80 mA or less	PNP open collector 80 mA or less
Residual voltage	1 V or less (With load current of 80 mA)	
Number of outputs	1	
Hysteresis	3% F.S. or less (Fixed)	
Indicator light	ON: when output is ON (Red)	
Trimmer adjustment	200°	

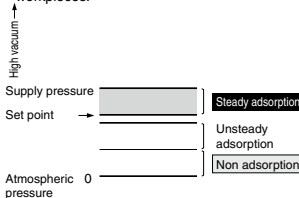
# Series ZSE2/ISE2

## Calibration Procedure

- Set the ON-pressure by the pressure setting trimmer. Turning clockwise can set the high pressure/high vacuum pressure.



- Set the possible min. pressure for adsorption confirmation. If setting the pressure lower than that, switch becomes ON in case that adsorption is not completely done. If setting the pressure higher than that, switch does not become ON even though it may absorb workpieces.



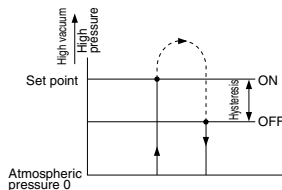
### Regarding the pressure setting

#### Caution

Observe the following precautions for setting the vacuum pressure: Use your fingertips to gently turn the screwdriver. Do not use a screwdriver with a large grip or with a tip that does not fit into the trimmer groove because this could strip the groove.

## Hysteresis

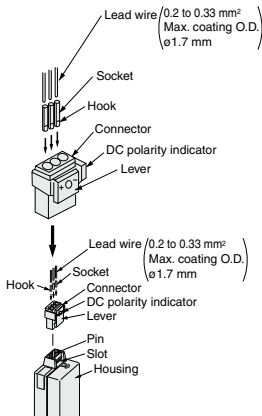
Hysteresis is the pressure difference between the ON and the OFF pressure of the output signal. The set pressure is the pressure selected to switch from OFF to ON condition.



## How to Use Connector

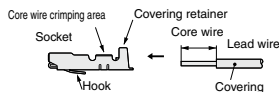
### 1. Attaching and detaching connectors

- When assembling the connector to the switch housing, push the connector straight onto the pins until the lever locks into the housing slot.
- When removing the connector from the switch housing, push the lever down to unlock it from the slot and then withdraw the connector straight off of the pin.



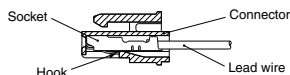
### 2. Crimping of lead wires and sockets

Strip 3.2 to 3.7 mm at the end of the lead wires, insert the ends of core wires evenly into the sockets, and then crimp with a crimping tool. When this is done, take care that the coverings of the lead wires do not enter the core wire crimping area. (Crimping tool: model no. DXT170-75-1)



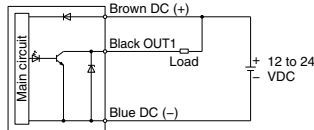
### 3. Attaching and detaching lead wires with sockets

- Attaching**  
Insert the sockets into the square holes of the connector (with +, 0, - indication), and continue to push the sockets all the way in until they lock by hooking into the seats in the connector. (When they are pushed in their hooks open and they are locked automatically.) Then confirm that they are locked by pulling lightly on the lead wires.
- Detaching**  
To detach a socket from a connector, pull out the lead wire while pressing the socket's hook with a stick having a thin tip (about 1 mm). If the socket will be used again, first spread the hook outward.

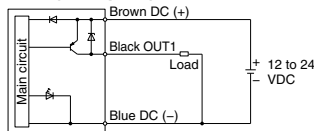


## Internal Circuits and Wiring Examples

### -15 NPN (1 output)



### -55 PNP (2 outputs)

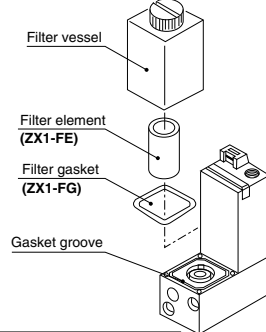


## How to Replace Filter Element

If the filter element becomes clogged, leading to a reduced adsorption force or delayed response time, stop the operation and re-place the element.

(Element part number ZX1-FE) Verify that the filter gasket is placed properly in the gasket groove before installing an element.

(Filter gasket part no.: ZX1-FG)



Filter assembly (Filter vessel + Filter element)  
ZX1-FK-PC

### Filter vessel

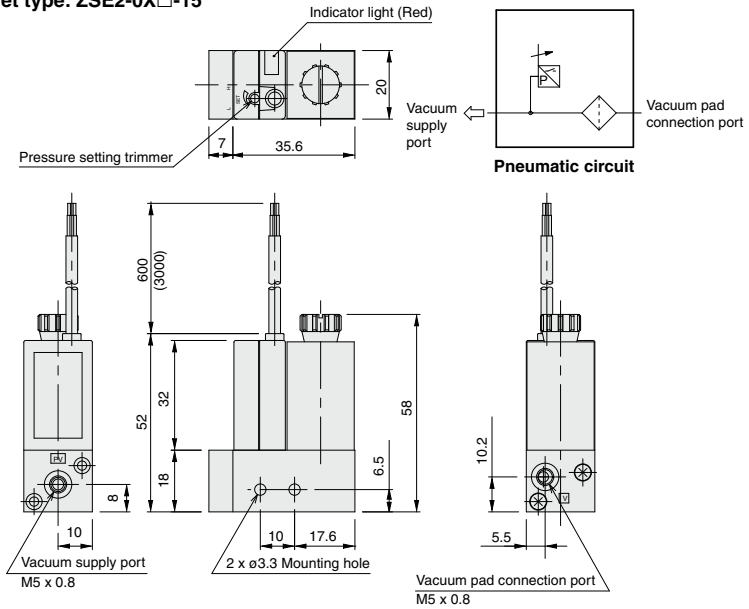
#### Caution

- Do not use with thinner, carbon tetrachloride, chloroform, acetate, aniline, cyclohexane, trichloroethylene, sulfuric acid, lactic acid and watermiscible cutting fluid (alkaline).
- Operate it away from direct sunlight.

## Dimensions

With Suction Filter: ZSE2-0X□

Grommet type: ZSE2-0X□-15



ZSE30  
ISE30

ZSE40  
ISE40

ZSE10  
ISE10

ISE70

ZSE80  
ISE80

ZSE□  
ISE□

ZSP

PS

ISA2

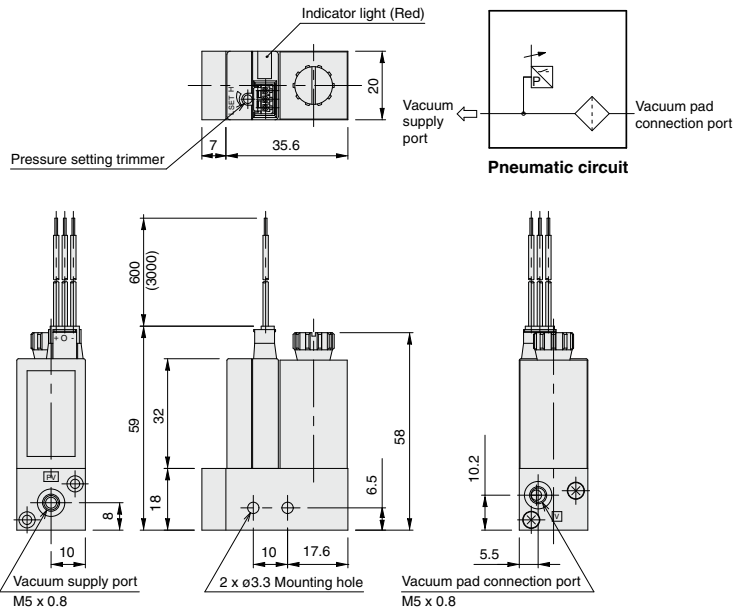
PSE

IS

ISG

ZSM1

Connector type: ZSE2-0X□-15C

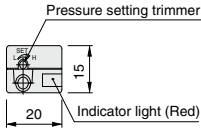


# Series ZSE2/ISE2

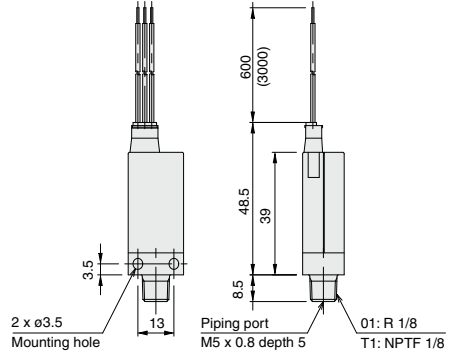
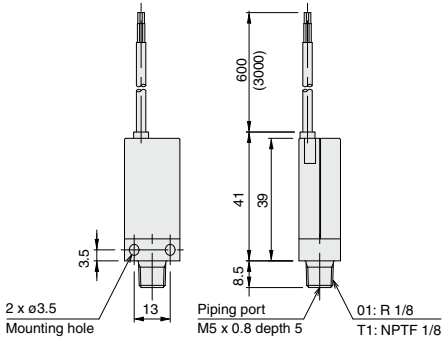
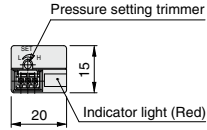
## Dimensions

Standard Type: ZSE2-<sup>01</sup><sub>T1</sub>

Grommet type: ZSE2-<sup>01</sup><sub>T1</sub>-15

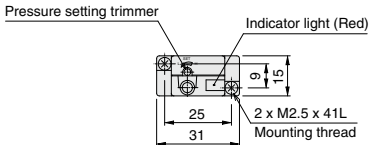


Connector type: ZSE2-<sup>01</sup><sub>T1</sub>-15C

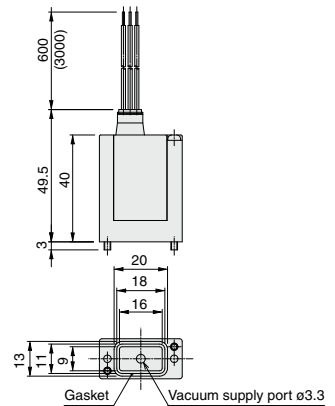
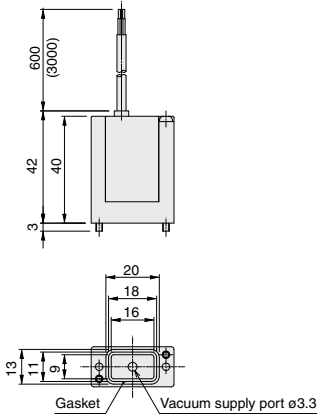
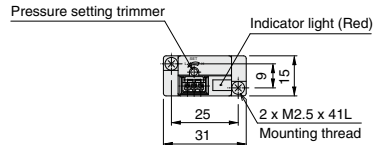


Base Mount Type: ZSE2-0R

Grommet type: ZSE2-0R-15



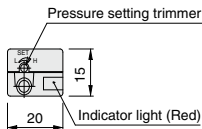
Connector type: ZSE2-0R-15C



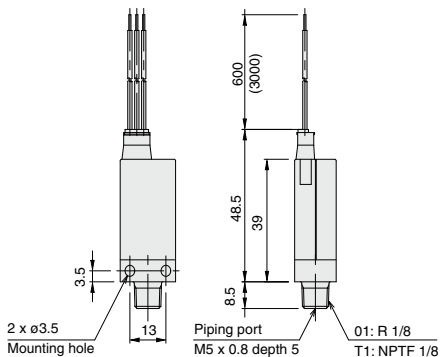
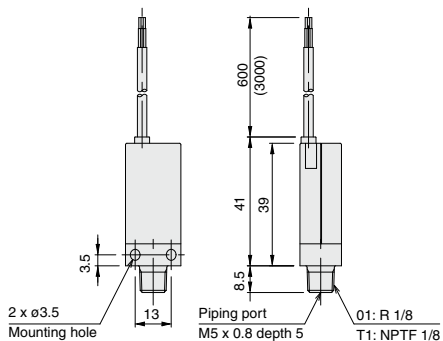
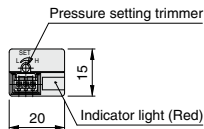
**Dimensions**

ISE2□-<sup>01</sup><sub>T1</sub>

Grommet type: ISE2-<sup>01</sup><sub>T1</sub>-15



Connector type: ISE2-<sup>01</sup><sub>T1</sub>-15C



ZSE30
ISE30
ZSE40
ISE40
ZSE10
ISE10
ISE70
ZSE80
ISE80
ZSE□
ISE□
ZSP
PS
ISA2
PSE
IS
ISG
ZSM1