

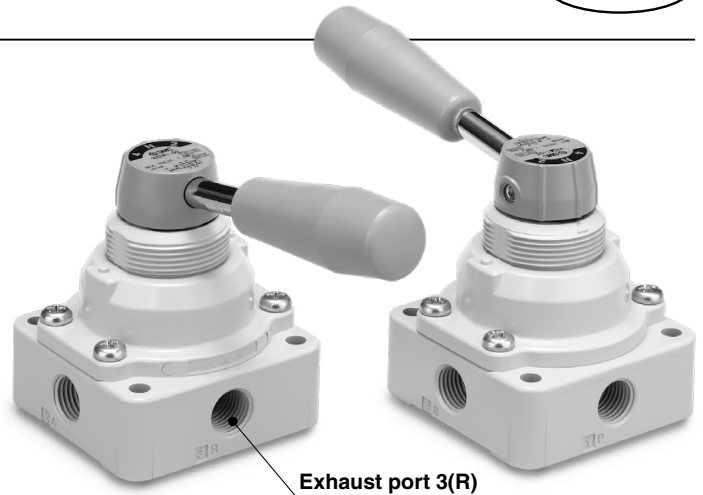
Hand Valve



Side exhaust added

Standard Specifications

Fluid	Air
Proof pressure	1.5 MPa
Max. operating pressure	1.0 MPa
Ambient and fluid temperature	-5 to 60°C (No freezing)
Operating angle	90°
Lubrication	Not required (Use turbine oil Class 1 ISO VG32, if lubricating.)



Model

Series	Port size	Number of positions	Piping direction	Model		Flow rate characteristics						Weight [kg]
				Body mount	Panel mount	1(P) → 2(A)/4(B)			2(A)/4(B) → 3(R)			
						C [dm ³ /(s·bar)]	b	Port [Cv]	C [dm ³ /(s·bar)]	b	Port [Cv]	
VH2	1/4	3 (Closed center)		VH240-02	VH250-02	2.4	0.25	0.55	2.4	0.25	0.55	0.42
		3 (Exhaust center)		VH241-02	VH251-02							
		2 (Position)		VH242-02	VH252-02							

Specifications and models other than those shown above are the same as the standard product. For details, refer to the **Web Catalog**.

How to Order

VH 2 4 1 - 02 - - -

Body size

2	1/4 base
---	----------

Piping/Mounting

Symbol	Piping	Mounting method	3(R) port direction
4	Side	Body	Side
5	Side	Panel mount	Side

Function

0	3-position closed center
1	3-position exhaust center
2	2-position

Thread type

Nil	Rc
N	NPT
F	G

Made to order

Nil	Standard
X116	Handle (Red)

Suffix symbol

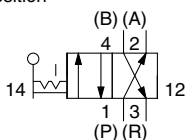
Symbol	Description
Nil	Standard
R	Handle position 180°

Port size

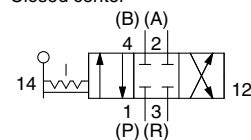
Symbol	Port size
02	1/4

Symbol

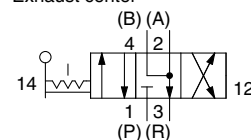
2-position



Closed center

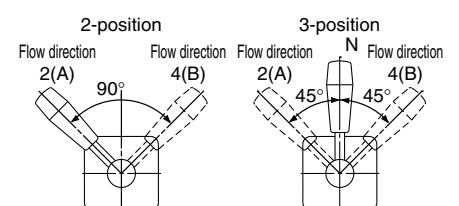


Exhaust center



Handle Operation Angle and Air Flow Direction

(Refer to the figure of piping direction in the table above.)



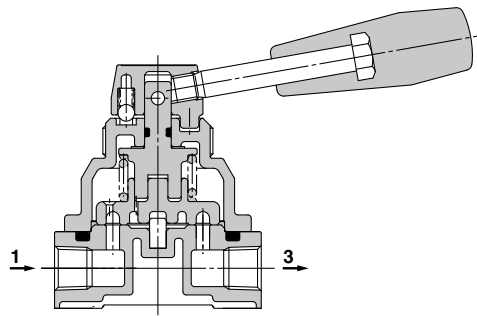
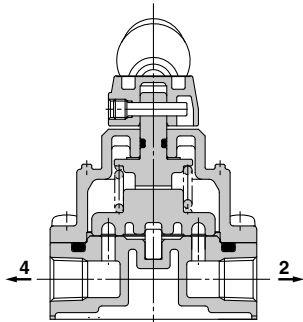
VH24/25 Series



VH24/25 Series

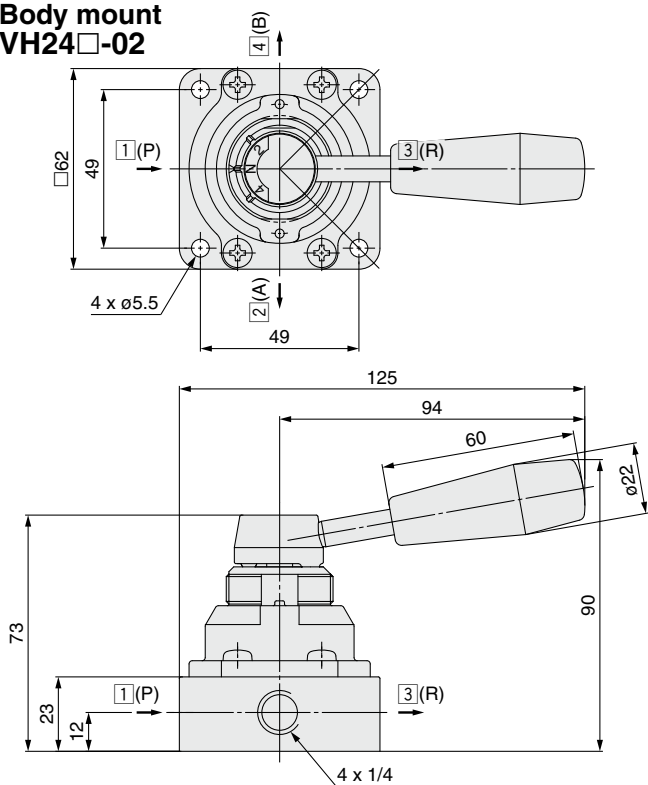
Construction

VH24/25

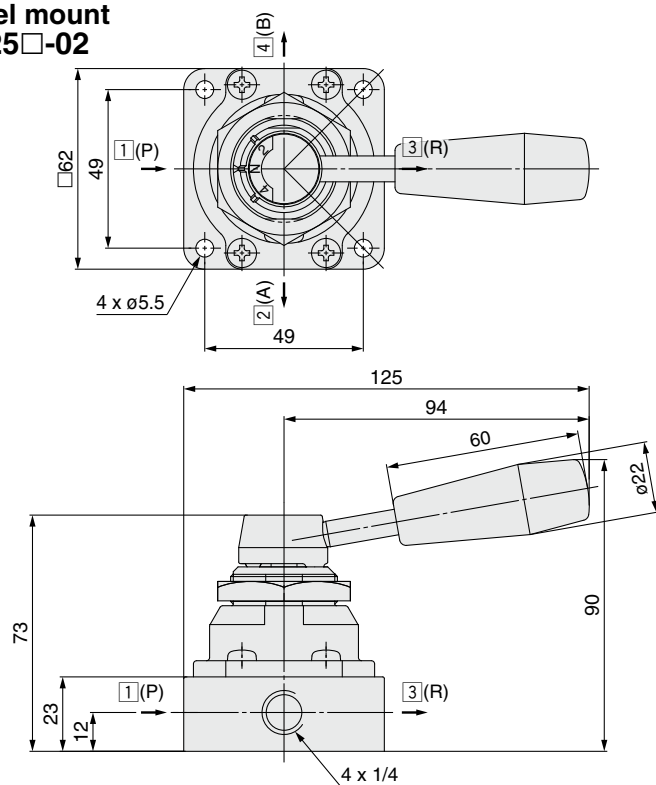


Dimensions

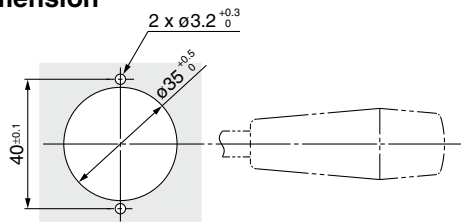
Body mount
VH24□-02



Panel mount
VH25□-02



Panel cut dimension



Max. panel thickness 3.5

⚠ Safety Instructions Be sure to read the "Handling Precautions for SMC Products" (M-E03-3) and "Operation Manual" before use.