

Compact Cylinder



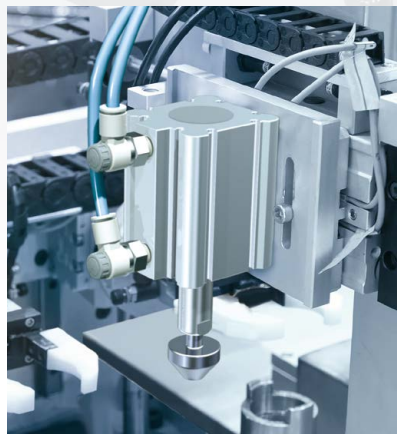
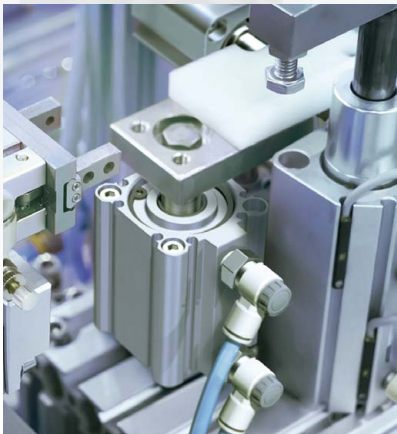
ø4, ø6, ø10, ø12, ø16, ø20, ø25, ø32, ø40, ø50,
ø63, ø80, ø100, ø125, ø140, ø160, ø180, ø200

ø4 to ø200 lineup

Equipment Downsizing

For more compact attachments and spaces

New Sizes ø4, ø6, and ø10 have been added.



CQ2 Series



CAT.ES20-205D

Compact Cylinder CQ2 Series

Variations

Series	Action	Model	Bore size [mm]																	Standard stroke [mm]	Page			
			4	6	10	12	16	20	25	32	40	50	63	80	100	125	140	160	180			200		
Standard CQ2	Double acting	Single rod	●	●	●															ø4, ø6: 5, 10 ø10: 5 to 20	7			
		Double rod				●	●	●	●	●	●	●	●	●	●	●	●	●	●	●	ø12, ø16: 5 to 30 ø20, ø25: 5 to 50 ø32, ø40: 5 to 100 ø50 to ø100: 10 to 100	15		
	Single acting	Single rod (Spring return/extend)				●	●	●	●	●	●	●	●	●	●	●	●	●	●	ø12 to ø40: 5, 10 ø50: 10, 20	51			
With stable lubrication function (Lube-retainer) CQ2□M	Double acting	Single rod							●	●	●	●	●	●	●	●	●	●	ø32, ø40: 5 to 100 ø50 to ø100: 10 to 100	24				
Large bore size CQ2	Double acting	Single rod																●	●	●	●	●	10 to 300	61
	Double acting	Double rod																	●	●	●	●	●	10 to 300
Anti-lateral load CQ2□S	Double acting	Single rod							●	●	●	●	●	●	●	●	●	●	●	●	●	●	ø32 to ø40: 5 to 100 ø50 to ø100: 10 to 100	73
Long stroke CQ2	Double acting	Single rod							●	●	●	●	●	●	●	●	●	●	●	●	●	●	125 to 300	80
Non-rotating rod CQ2K	Double acting	Single rod				●	●	●	●	●	●	●	●	●	●	●	●	●	●	●	●	●	ø12, ø16: 5 to 30 ø20, ø25: 5 to 50 ø32, ø40: 5 to 100 ø50, ø63: 10 to 100	85
	Double acting	Double rod				●	●	●	●	●	●	●	●	●	●	●	●	●	●	●	●	●	ø12, ø16: 5 to 30 ø20, ø25: 5 to 50 ø32, ø40: 5 to 100 ø50, ø63: 10 to 100	97
Water resistant CQ2□R	Double acting	Single rod							●	●	●	●	●	●	●	●	●	●	●	●	●	●	ø20, ø25: 5 to 50 ø32, ø40: 5 to 100 ø50 to ø100: 10 to 100	107
	Double acting	Double rod																	●	●	●	●	ø40: 5 to 100 ø50 to ø100: 10 to 100	116
Axial piping CQP2	Double acting	Single rod				●	●	●	●	●	●	●	●	●	●	●	●	●	●	●	●	●	ø12, ø16: 5 to 30 ø20, ø25: 5 to 50 ø32, ø40: 5 to 100 ø50 to ø100: 10 to 100	123
	Single acting	Single rod (Spring return/extend)				●	●	●	●	●	●	●	●	●	●	●	●	●	●	●	●	●	ø12 to ø40: 5, 10 ø50: 10, 20	130
With end lock CBQ2	Double acting	Single rod							●	●	●	●	●	●	●	●	●	●	●	●	●	●	ø20 to ø63: 10 to 100 ø80, ø100: 25 to 100	139
Simple specials																					169			
Made to order common specifications																					173			

Secondary battery compatible
25A-CQ2



Clean series/Low particle generation
10-21-CQ2
11-22-CQ2



Smooth Cylinder (Low friction)
CQ2Y



Low-speed Cylinder
CQ2X



Refer to the **Web Catalog**.

* The axial piping type, end lock cylinders, and low-speed cylinders have the same body shapes as those of the existing products.

New Sizes $\varnothing 4$, $\varnothing 6$, and $\varnothing 10$ have been added.

Compact

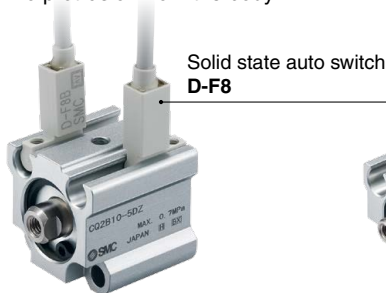
Lightweight: 8.6 g



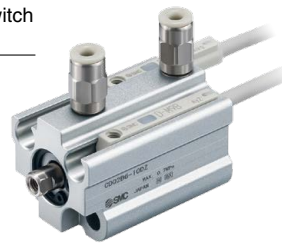
* For $\varnothing 4$, 5 mm stroke

Same-surface piping and auto switch mounting

No protrusion from the body

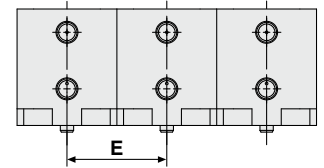


* For $\varnothing 10$, 5 mm stroke



* For $\varnothing 6$, 10 mm stroke

Short pitch mounting is possible.

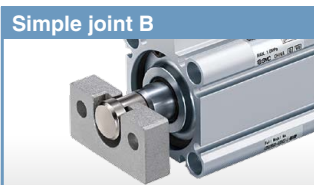
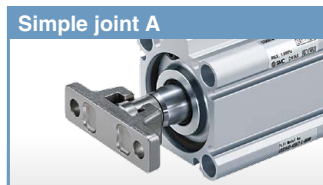


Pitch Dimensions [mm]

Bore size	E	
	Without magnet	With magnet
4	15	—
6	19	24
10	21	26

Rod End Types/Brackets

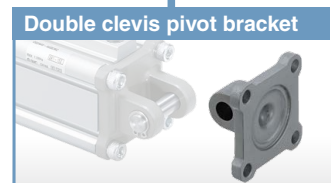
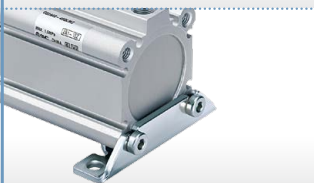
Rod end female thread



Rod end male thread



Mounting Brackets



Large bore size Single rod/Double rod CQ2 Series



Weight: Max. 30% lighter

6.18 Kg \rightarrow **4.33 Kg** For $\varnothing 125$, 50 mm stroke

The material of both ends of the cover has been changed. (Iron \rightarrow Aluminum alloy)

Environmentally Resistant Specifications

SMC offers a wide range of models suitable for various applications and operating environments. This includes models that can be used in environments that the basic model cannot, such as those where coolant liquid, water droplets/splashing, dust, etc., are present. When using in environments where the above are present, it is possible to improve the service life of the product by selecting a model ideal for use in such environments.

\rightarrow For details, refer to the [Web Catalog](#).

Dust Resistant

- Cylinder with Stable Lubrication Function (Lube-retainer)
 - Micro-powder environments (10 to 100 μm)
- Dust-resistant Actuator (-XC92)
 - For use in environments with airborne micro-powder such as ceramic powder, toner powder, paper powder, and metallic powder
- With Heavy Duty Scraper (-XC4)
- With Coil Scraper (-XC35)
 - For use in dusty environments or in environments where die-cast equipment, construction machinery, etc., cause exposure to dirt or sand

Water Resistant

Water-resistant Cylinder

Corrosion Resistant (Stainless Steel)

- Rod, Retaining Ring, Rod End Nut Made of Stainless Steel (-XC6)
- Double Clevis and Double Knuckle Joint Pins Made of Stainless Steel (-XC27)
- Rod End Bracket Made of Stainless Steel
 - Single knuckle joint
 - Double knuckle joint
 - Rod end nut

Temperature Measures

Heat Resistant/Cold Resistant (-XB6, -XB7, -XB14)



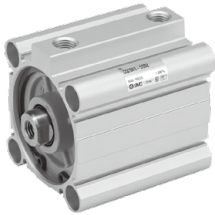
CONTENTS

Compact Cylinder **CQ2 Series**



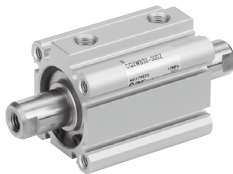
■ Standard: Double Acting, Single Rod CQ2 Series (ø4, ø6, ø10)

How to Order	p. 7
Specifications	p. 8
Weight	p. 8
Through-hole Type Mounting Bolt for the CQ2	p. 10
Construction	p. 11
Dimensions	p. 12



■ Standard: Double Acting, Single Rod CQ2 Series (ø12 to ø100)

How to Order	p. 15
Specifications	p. 17
Weight	p. 20
Through-hole Type Mounting Bolt for the CQ2	p. 21
Construction	p. 23
Dimensions	p. 25
Accessory Brackets	p. 29



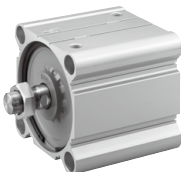
■ Standard: Double Acting, Double Rod CQ2W Series (ø12 to ø100)

How to Order	p. 37
Specifications	p. 39
Weight	p. 41
Through-hole Type Mounting Bolt for the CQ2W	p. 42
Construction	p. 43
Dimensions	p. 44
Accessory Brackets	p. 48



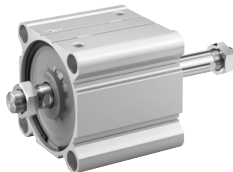
■ Standard: Single Acting, Single Rod CQ2 Series (ø12 to ø50)

How to Order	p. 51
Specifications	p. 53
Weight	p. 55
Through-hole Type Mounting Bolt for the CQ2	p. 56
Construction	p. 57
Dimensions	p. 58



■ Large Bore Size: Double Acting, Single Rod CQ2 Series (ø125 to ø200)

How to Order	p. 61
Specifications	p. 62
Weight	p. 64
Through-hole Type Mounting Bolt for the CQ2	p. 64
Construction	p. 65
Dimensions	p. 66



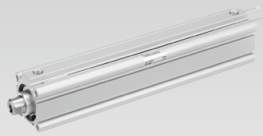
■ Large Bore Size: Double Acting, Double Rod CQ2W Series (ø125 to ø200)

How to Order	p. 67
Specifications	p. 68
Weight	p. 70
Through-hole Type Mounting Bolt for the CQ2W	p. 70
Construction	p. 71
Dimensions	p. 72



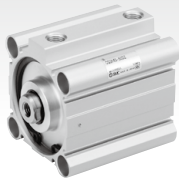
■ Anti-lateral Load: Double Acting, Single Rod CQ2□S Series (ø32 to ø100)

How to Order	p. 73
Specifications	p. 75
Weight	p. 76
Through-hole Type Mounting Bolt for the CQ2□S	p. 77
Construction	p. 78
Dimensions	p. 79



■ **Long Stroke: Double Acting, Single Rod CQ2 Series (ø32 to ø100)**

How to Order p. 80
Specifications p. 81
Weight p. 82
Construction p. 83
Dimensions p. 84



■ **Non-rotating Rod: Double Acting, Single Rod CQ2K Series (ø12 to ø63)**

How to Order p. 85
Specifications p. 87
Weight p. 88
Through-hole Type Mounting Bolt for the CQ2K p. 89
Construction p. 91
Dimensions p. 92



■ **Non-rotating Rod: Double Acting, Double Rod CQ2KW Series (ø12 to ø63)**

How to Order p. 97
Specifications p. 99
Weight p. 100
Through-hole Type Mounting Bolt for the CQ2KW p. 101
Construction p. 103
Dimensions p. 104



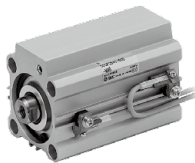
■ **Water Resistant: Double Acting, Single Rod CQ2-R/V Series (ø20 to ø100)**

How to Order p. 107
Specifications p. 108
Weight p. 109
Through-hole Type Mounting Bolt for the CQ2 p. 110
Construction p. 111
Dimensions p. 112



■ **Water Resistant: Double Acting, Double Rod CQ2W-R/V Series (ø40 to ø100)**

How to Order p. 116
Specifications p. 117
Weight p. 118
Through-hole Type Mounting Bolt for the CQ2W p. 119
Construction p. 120
Dimensions p. 121



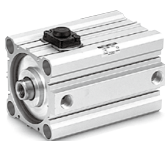
■ **Axial Piping: Double Acting, Single Rod CQP2 Series (ø12 to ø100)**

How to Order p. 123
Specifications p. 125
Weight p. 126
Through-hole Type Mounting Bolt for the CQP2 p. 127
Construction p. 128
Dimensions p. 129



■ **Axial Piping: Single Acting, Single Rod CQP2 Series (ø12 to ø50)**

How to Order p. 130
Specifications p. 131
Weight p. 133
Through-hole Type Mounting Bolt for the CQP2 p. 134
Construction p. 135
Dimensions p. 136



■ **With End Lock: Double Acting, Single Rod CBQ2 Series (ø20 to ø100)**

How to Order p. 139
Specifications p. 141
Weight p. 142
Through-hole Type Mounting Bolt for the CBQ2 p. 143
Construction p. 145
Dimensions p. 147

Auto Switch Mounting p. 149
Simple Specials/Made to Order Common Specifications p. 167
Specific Product Precautions p. 197
Safety Instructions Back cover

Vertical navigation bar with labels: Standard, Large Bore Size, Anti-lateral Load, Long Stroke, Non-rotating Rod, Water Resistant, Axial Piping, With End Lock, Auto Switch, Made to Order. Each label is associated with a specific product series icon.

Combinations of Standard Products and Made to Order

CQ2 Series

- : Standard
- ⊙: Made to order
- : Special product
- : Not available

Symbol	Specifications	Applicable bore size	Series		CQ2 (Standard)				CQ2 (Large bore size)	
			Action/Type	Double acting		Single acting		Double acting		
				Single rod	Double rod	Single rod/Spring return	Single rod/Spring extend	Single rod	Double rod	
			ø4 to ø10	ø12 to ø100		ø12 to ø50		ø125 to ø200		
Standard	Standard	ø4 to ø10	●	—	—	—	—	—	—	
		ø12 to ø100	—	●	●	●	●	●	●	
D	Built-in magnet	ø4 to ø10	●*15	—	—	—	—	—	—	
		ø12 to ø100	—	●	●	●	●	●	●	
CQ2□H	Air-hydro type*13	ø20 to ø100	—	●	●	—	—	○	○	
10-, 11-	Clean series/Low particle generation	ø12 to ø200	—	●	○	○	○	○	○	
25A	Copper (Cu) and zinc (Zn)-free*12		—	●	●	○	○	●	○	
20-	Copper*11 and Fluorine-free		—	●	●	●	●	●	●	
CQ2□M	Compact cylinder with stable lubrication function (Lube-retainer)*6	ø32 to ø100	—	●	○	○	○	—	—	
XB6	Heat-resistant cylinder (-10 to 150°C)*14	ø12 to ø100	—	⊙	⊙	○	○	○	○	
XB7	Cold-resistant cylinder (-40 to 70°C)	ø12 to ø40	—	⊙	⊙	○	○	○	○	
XB9	Low-speed cylinder (10 to 50 mm/s)	ø12 to ø100	—	⊙	⊙	○	○	○	○	
XB10	Intermediate stroke (Exclusive body type)	ø12 to ø200	—	⊙	⊙	⊙	⊙	⊙	⊙	
XB13	Low-speed cylinder (5 to 50 mm/s)	ø12 to ø100	—	⊙	⊙	○	○	○	○	
XB14	Cylinder with heat-resistant auto switch*14	ø16 to ø63	—	⊙	○	○	○	○	○	
XC2(A)	Rod end length increased by 10 mm (For foot and flange bracket)	ø12 to ø100	—	⊙	⊙	⊙	⊙	—	—	
XC4	With heavy duty scraper	ø20 to ø100	—	⊙	⊙*3	○	○	○	○	
XC6(A)	Piston rod/Retaining ring/Rod end nut material: Stainless steel	ø12 to ø100	—	⊙	⊙	⊙	⊙	○	○	
XC8	Adjustable stroke cylinder/Adjustable extension type		—	⊙	—	○	○	○	—	
XC9	Adjustable stroke cylinder/Adjustable retraction type		—	⊙	—	○	○	○	—	
XC10	Dual stroke cylinder/Double rod type		—	⊙	—	○	○	○	—	
XC11	Dual stroke cylinder/Single rod type		—	⊙	—	○	○	○	—	
XC26	With split pins for double clevis pin/double knuckle joint pin and flat washers		—	⊙	—	⊙	⊙	○	○	
XC26□	Double clevis width/Double knuckle width 12.5 mm, 16.5 mm, or 19.5 mm: With double clevis and double knuckle joint		—	⊙	—	○	○	○	—	
XC27	Double clevis pin/Double knuckle joint pin material: Stainless steel 304		—	⊙	○	⊙	⊙	○	○	
XC35	With coil scraper		ø32 to ø100	—	⊙	⊙	○	○	○	○
XC36	With boss on rod end		ø12 to ø100	—	⊙	⊙	⊙	⊙	○	○
XC85	Grease for food processing equipment		ø12 to ø200	—	⊙	⊙	⊙	⊙	⊙	⊙
XC88	Spatter-resistant coil scraper, Lube-retainer, Grease for welding (Piston rod: Stainless steel 304)	ø32 to ø100	—	⊙	○	○	○	○	○	
XC89	Spatter-resistant coil scraper, Lube-retainer, Grease for welding (Piston rod: S45C)		—	⊙	○	○	○	○	○	
XC91	Spatter-resistant coil scraper, Grease for welding (Piston rod: S45C)		—	⊙	○	○	○	○	○	
XC92	Dust-resistant actuator		—	⊙	○	○	○	○	○	
X144	Special port location	ø12 to ø25	—	⊙	⊙	⊙	⊙	—	—	
X235	Special rod end for double rod cylinder	ø12 to ø200	—	—	⊙	—	—	—	⊙	
X271	Fluororubber seals*14	ø12 to ø160	—	⊙	⊙	⊙	⊙	⊙*9	⊙*9	
X525	Long stroke for adjustable extension stroke cylinder (-XC8)	ø12 to ø100	—	⊙	—	○	○	○	—	
X526	Long stroke for adjustable retraction stroke cylinder (-XC9)		—	⊙	—	○	○	○	—	
X633	Intermediate stroke for double rod cylinder	ø12 to ø200	—	—	⊙	—	—	—	⊙	
X636	Long stroke for dual stroke single rod cylinder	ø12 to ø100	—	⊙	—	○	—	○	—	
X1876	Cylinder tube: With concave boss on head end	ø32 to ø100	—	⊙	—	⊙	⊙	—	—	

*1 ø12 to ø32: (○), for ø40 to ø63 only

*2 ø12: (—)

*3 ø20 to ø32: (○), for ø40 to ø100 only

*4 ø20 to ø25: (○), for ø32 to ø100 only

*5 Rod end lock: (—), for head end lock only

*6 ø20 to ø32: (○), for ø40 to ø100 only

*7 Head end lock: (—), for rod end lock only

*8 With boss on rod end (Standard)

*9 ø180 to ø200: (○), for ø125 to ø160 only

*10 The body shape and model are the same as those of the existing CQ2 series product.

Common Specifications

CQ2 Series

	CQ2□S (Anti-lateral load)	CQ2 (Long stroke)	CQ2K (Non-rotating rod)		CQ2-R/V (Water resistant)		CQP2 (Axial piping) ^{*10}			CBQ2 (With end lock) ^{*10}	Symbol
	Double acting	Double acting	Double acting		Double acting		Double acting	Single acting		Double acting	
	Single rod	Single rod	Single rod	Double rod	Single rod	Double rod	Single rod	Single rod/ Spring return	Single rod/ Spring extend	Single rod	
	ø32 to ø100	ø32 to ø100	ø12 to ø63		ø20 to ø100	ø40 to ø100	ø12 to ø100	ø12 to ø50		ø20 to ø100	
—	—	—	—	—	—	—	—	—	—	—	Standard
●	●	●	●	●	●	●	●	●	●	●	Standard
—	—	—	—	—	—	—	—	—	—	—	D
●	●	●	●	●	●	●	●	●	●	●	D
○	○	○	○	○	○	○	○	○	○	○	CQ2□H
○	○	○	○	○	○	○	○	○	○	○	10-, 11- 25A
●	●	●	○*2	○*2	○	○	○	○	○	○	20-
●	●	●	○*2	○*2	○	○	○	○	○	○	20-
○	○	○	—	—	○	○	○	○	○	○	CQ2□M
○	○	○	◎	◎	○	○	◎	○	○	○	XB6
○	○	○	○	○	○	○	◎	○	○	○	XB7
○	○	○	○	○	○	○	◎	○	○	○	XB9
◎	◎	◎	◎*1	◎*1	◎*6	◎	◎	◎	◎	◎	XB10
○	○	○	○	○	○	○	◎	○	○	○	XB13
○	○	○	○	○	○	○	○	○	○	○	XB14
◎	—	◎	◎	◎	○	○	○	○	○	○	XC2(A)
○	◎	—	—	—	—	—	◎*4	○	○	○	XC4
◎	◎	◎	○	○	◎	◎	◎	◎	◎	○	XC6(A)
○	○	◎	◎	—	○	—	○	○	○	○*5	XC8
○	○	◎	◎	—	○	—	○	○	○	○*7	XC9
○	○	◎	◎	—	○	—	○	○	○	○	XC10
○	○	◎	◎	—	○	—	○	○	○	○	XC11
◎	◎	◎	◎*1	—	◎	—	○	○	○	◎	XC26
◎	◎	—	—	—	○	—	—	—	—	○	XC26□
◎	◎	◎	◎	○	○	○	○	○	○	○	XC27
○	◎	—	—	—	—	—	◎	○	○	○	XC35
○	◎*8	◎*8	◎*8	◎*8	○	○	◎	◎	◎	○	XC36
◎	◎	◎	◎	◎	◎	◎	◎	◎	◎	◎	XC85
◎	◎	—	—	—	—	—	○	○	○	○	XC88
◎	◎	—	—	—	—	—	○	○	○	○	XC89
○	○	—	—	—	—	—	○	○	○	○	XC91
○	○	—	—	—	—	—	○	○	○	○	XC92
—	—	○	○	○	○	○	—	—	—	—	X144
—	—	○	○	○	○	○	—	—	—	—	X235
◎	◎	○	○	○	○	○	◎	◎	◎	○	X271
○	○	○	—	—	○	—	○	○	○	○*5	X525
○	○	○	—	—	○	—	○	○	○	○*7	X526
—	—	—	◎	—	—	○	—	—	—	—	X633
○	○	○	—	—	○	—	○	○	○	○	X636
◎	◎	◎	◎	—	○	—	—	—	—	○	X1876

*11 Copper-free for the externally exposed part
For details, refer to the **Web Catalog**.
*12 For details, refer to the **Web Catalog**.

*13 Without rubber bumper (Standard)
*14 Excludes the air-hydro type
*15 Size ø4 does not have a built-in auto switch magnet.

Standard	Double Acting, Single Rod	CQ2
Standard	Double Acting, Spring Return	CQ2
Standard	Double Acting, Spring Return, End	CQ2
Large Bore Size	Double Acting, Double Rod	CQ2W
Anti-lateral Load	Double Acting, Single Rod	CQ2□S
Long Stroke	Double Acting, Single Rod	CQ2
Non-rotating Rod	Double Acting, Single Rod	CQ2K
Non-rotating Rod	Double Acting, Double Rod	CQ2KW
Water Resistant	Double Acting, Single Rod	CQ2-R/V
Water Resistant	Double Acting, Double Rod	CQ2W-R/V
Axial Piping	Double Acting, Single Rod	CQP2
Axial Piping	Single Acting, Spring Return	CQP2
With End Lock	Double Acting, Single Rod	CBQ2
Auto Switch		Auto Switch
Made to Order		Made to Order

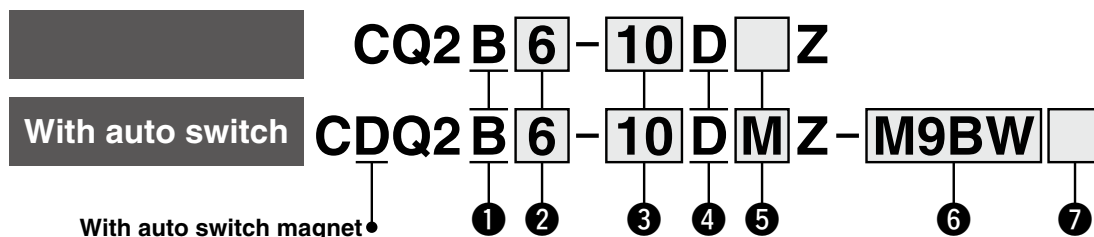
Compact Cylinder: Standard Double Acting, Single Rod

CQ2 Series

∅4, ∅6, ∅10



How to Order



① Mounting

B	Through-hole/Head end tapped
----------	------------------------------

② Bore size

4	4 mm
6	6 mm
10	10 mm

* Auto switches cannot be mounted on ∅4.

③ Cylinder stroke [mm]

Bore size	Standard stroke
4, 6	5, 10
10	5, 10, 15, 20

④ Action

D	Double acting
----------	---------------

⑤ Body option

Nil	Rod end female thread (Without thread for ∅4)
C	With rubber bumper
M	Rod end male thread

* Combined body options "CM" can be selected.

⑥ Auto switch

Nil	Without auto switch
------------	---------------------

* For applicable auto switches, refer to the table below.

⑦ Number of auto switches

Nil	2
S	1
n	n

Applicable Auto Switches / Refer to the Web Catalog for further information on auto switches.

Type	Special function	Electrical entry	Indicator light	Wiring (Output)	Load voltage		Auto switch model		Lead wire length [m] ^{*2}					Pre-wired connector	Applicable load			
					DC	AC	Perpendicular	In-line	0.5 (Nil)	1 (M)	3 (L)	5 (Z)	None (N)		IC circuit	Relay, PLC		
Solid state auto switch	—	Grommet	Yes	3-wire (NPN)	24 V	5 V, 12 V	—	F8N	—	●	—	●	○	—			—	IC circuit
								M9NV	M9N	●	●	●	○	—	○			
				3-wire (PNP)				F8P	—	●	—	●	○	—	—	—		
								M9PV	M9P	●	●	●	○	—	○			
				2-wire				F8B	—	●	—	●	○	—	—	—		
								M9BV	M9B	●	●	●	○	—	○			
	Diagnostic indication (2-color indicator)			3-wire (NPN)	M9NWV	M9NW	●	●	●	○	—	○	—	○	IC circuit			
					M9PWV	M9PW	●	●	●	○	—	○	○	IC circuit				
				3-wire (PNP)	M9BWV	M9BW	○	○	○	○	—	○	○	—				
					M9NAV ^{*1}	M9NA ^{*1}	○	○	●	○	—	○	○	IC circuit				
				2-wire	M9PAV ^{*1}	M9PA ^{*1}	○	○	●	○	—	○	○	○	IC circuit			
					M9BAV ^{*1}	M9BA ^{*1}	○	○	●	○	—	○	○	○	—			

*1 Water-resistant type auto switches can be mounted on the above models, but SMC cannot guarantee water resistance. Please contact SMC regarding water-resistant types with the above model numbers.

*2 Lead wire length symbols: 0.5 m Nil (Example) M9N * Solid state auto switches marked with a "○" are produced upon receipt of order.
 1 m M (Example) M9NM
 3 m L (Example) M9NL
 5 m Z (Example) M9NZ

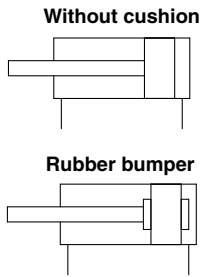
* For 2-color indicator, use caution on hysteresis. Refer to the "Auto Switch Hysteresis" section in the Web Catalog.

* For the detailed specifications of auto switches, refer to the Web Catalog.

* Auto switches are shipped together with the product but do not come assembled.



Symbol



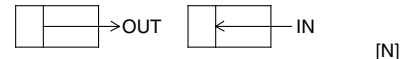
Specifications

Pneumatic type

Bore size [mm]		4	6	10
Action		Double acting, Single rod		
Fluid		Air		
Proof pressure		1.0 MPa		
Maximum operating pressure		0.7 MPa		
Minimum operating pressure		0.15 MPa	0.1 MPa	
Ambient and fluid temperatures		Without auto switch magnet: -10 to 70°C With auto switch magnet: -10 to 60°C (No freezing)		
Lubrication		Not required (Non-lube)		
Piston speed		50 to 500 mm/s		
Allowable kinetic energy [J]	Without cushion	0.9 x 10 ⁻³	2.2 x 10 ⁻³	5.9 x 10 ⁻³
	With rubber bumper	7.5 x 10 ⁻³	12.0 x 10 ⁻³	51.6 x 10 ⁻³
Stroke length tolerance		+1.0 mm ^{*1} 0		

*1 Stroke length tolerance does not include the amount of bumper change.

Theoretical Output



Bore size [mm]	Rod size [mm]	Operating direction	Piston area [mm ²]	Operating pressure [MPa]		
				0.3	0.5	0.7
4	2	OUT	12.6	3.76	6.28	8.79
		IN	9.4	2.82	4.71	6.59
6	4	OUT	28.3	8.48	14.13	19.79
		IN	15.7	4.71	7.85	10.99
10	6	OUT	78.5	23.56	39.26	54.97
		IN	50.3	15.07	25.13	35.18

Weight

Without Auto Switch Magnet [g]

Bore size [mm]	Cylinder stroke [mm]			
	5	10	15	20
4	8.6	11.1	—	—
6	13.2	16.7	—	—
10	20.6	25.0	29.5	34.0

Additional Weight [g]

Bore size [mm]		4	6	10
Rod end male thread	Male thread	0.1	0.6	2.0
	Nut	0.2	0.4	1.3
With rubber bumper		0	0	0

Calculation: (Example) **CQ2B6-10DCMZ**
 • Basic movable parts weight: CQ2B6-10DZ ... 16.7 g
 • Additional weight: Rod end male thread ... 1.0 g
 With rubber bumper ... 0 g
 17.7 g

With Auto Switch Magnet [g]

Bore size [mm]	Cylinder stroke [mm]			
	5	10	15	20
6	16.4	19.9	—	—
10	24.0	28.5	32.9	37.4

Additional Weight [g]

Bore size [mm]		4	6	10
Rod end male thread	Male thread	0.1	0.6	2.0
	Nut	0.2	0.4	1.3
With rubber bumper		0	0	0

Calculation: (Example) **CDQ2B6-10DCMZ**
 • Basic movable parts weight: CDQ2B6-10DZ ... 19.9 g
 • Additional weight: Rod end male thread ... 1.0 g
 With rubber bumper ... 0 g
 20.9 g

For details on **auto switch mounting**
 ⇨ p. 149 to 165

- Auto Switch Proper Mounting Position (Detection at stroke end) and Mounting Height
- Minimum Stroke for Auto Switch Mounting
- Operating Range

Moisture Control Tube IDK Series



When operating an actuator with a small bore size and a short stroke at a high frequency, dew condensation (water droplets) may occur inside the piping depending on the conditions. Simply connecting the moisture control tube to the actuator will prevent dew condensation from occurring. For details, refer to the **Web Catalog**.

⚠ Precautions

Refer to pages 197 and 198 before handling the products.

Standard
Double Acting, Single Rod
CQ2W

Standard
Double Acting, Double Rod
CQ2W

Single Acting, Spring Return, End
Double Acting, Single Rod
CQ2

Large Bore Size
Double Acting, Double Rod
CQ2W

Anti-lateral Load
Double Acting, Single Rod
CQ2S

Long Stroke
Double Acting, Single Rod
CQ2

Non-rotating Rod
Double Acting, Double Rod
CQ2KW

Water Resistant
Double Acting, Single Rod
CQ2-RV

Water Resistant
Double Acting, Double Rod
CQ2W-RV

Axial Piping
Double Acting, Single Rod
CQP2

Single Acting, Spring Return, End
Double Acting, Single Rod
CQP2

With End Lock
Double Acting, Single Rod
CBQ2

Auto Switch

Made to Order

CQ2 Series

Allowable Kinetic Energy

Load Mass and Piston Speed

Bore size [mm]	4	6	10
Standard/ Allowable kinetic energy: Ea	0.9×10^{-3}	2.2×10^{-3}	5.9×10^{-3}
With rubber bumper/ Allowable kinetic energy: Eb	7.5×10^{-3}	12.0×10^{-3}	51.6×10^{-3}

$$\text{Kinetic energy } E \text{ [J]} = \frac{(m1+m2) V^2}{2}$$

m1: Mass of cylinder movable parts [kg]
m2: Load mass [kg]
V: Piston speed [m/s]

Mass of Cylinder Movable Parts: Without Auto Switch Magnet [g]

Bore size [mm]	Cylinder stroke [mm]			
	5	10	15	20
4	0.7	0.8	—	—
6	2.1	2.6	—	—
10	6.4	7.5	8.6	9.7

Mass of Cylinder Movable Parts: With Auto Switch Magnet [g]

Bore size [mm]	Cylinder stroke [mm]			
	5	10	15	20
6	2.3	2.8	—	—
10	6.5	7.6	8.7	9.8

Additional Mass of Cylinder Movable Parts [g]

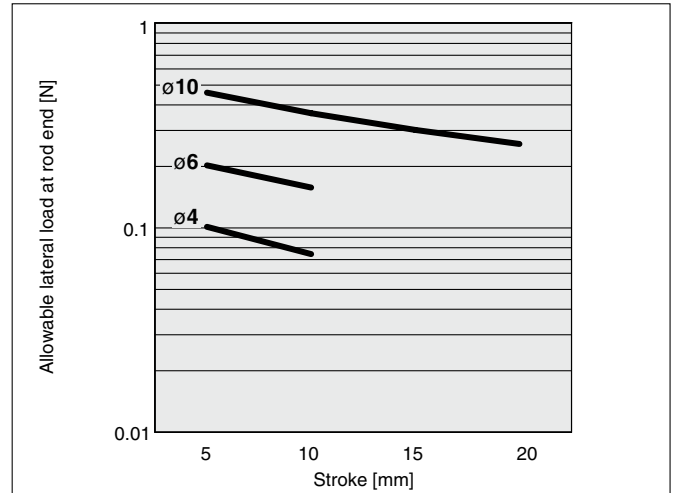
Bore size [mm]		4	6	10
Rod end male thread	Male thread	0.1	0.6	2.0
	Nut	0.2	0.4	1.3
With rubber bumper		0	0	0

Calculation: (Example) **CQ2B6-10DCMZ**

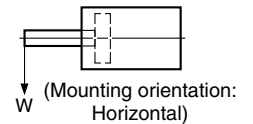
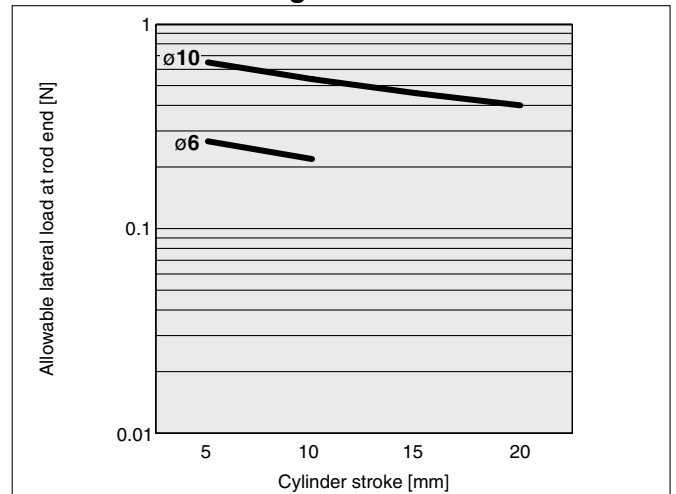
- Basic mass: CQ2B6-10DZ 2.6 g
 - Additional mass: Rod end male thread 1.0 g
 - With rubber bumper 0 g
- 3.6 g

Allowable Lateral Load at Rod End

Without Auto Switch Magnet



With Auto Switch Magnet



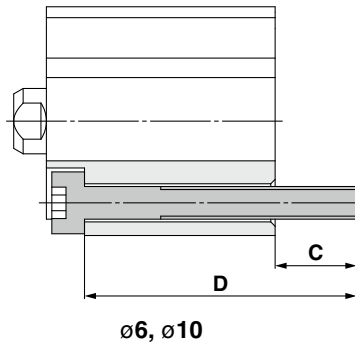
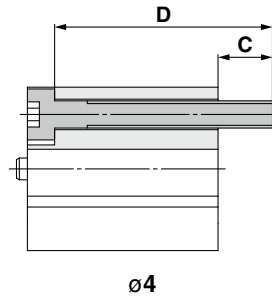
Through-hole Type Mounting Bolt for the CQ2

Mounting bolt for the through-hole mounting of the CQ2B is available as an option.

Refer to the following for ordering procedures.
Order the actual number of bolts that will be used.

Example) CQ-M3 x 25L 2 pcs.

Type: Hexagon socket head cap screw
Material: Chromium molybdenum steel
Surface treatment: Zinc chromated



Without Auto Switch Magnet

Cylinder model	C	D	Mounting bolt size
CQ2B4-5	5	20	M2.5 x 20L
-10		25	M2.5 x 25L
CQ2B6-5	4.5	20	M3 x 20L
-10		25	M3 x 25L
CQ2B10-5	7.5	25	M3 x 25L
-10		30	M3 x 30L
-15		35	M3 x 35L
-20		40	M3 x 40L

With Auto Switch Magnet

Cylinder model	C	D	Mounting bolt size
CDQ2B6-5	4.5	25	M3 x 25L
-10		30	M3 x 30L
CDQ2B10-5	7.5	30	M3 x 30L
-10		35	M3 x 35L
-15		40	M3 x 40L
-20		45	M3 x 45L

⚠ Caution

1. When mounting a cylinder, tighten the bolts with the proper tightening torque.

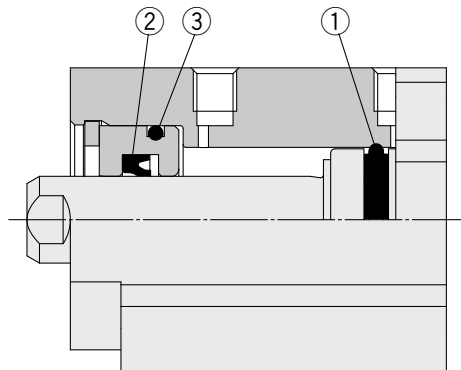
Applicable bore size [mm]	Mounting bolt	Proper tightening torque [N·m]*1
4	M2.5 x 0.45	0.36 ±30% (0.25 to 0.46)
6	M3 x 0.5	0.63 ±30% (0.44 to 0.81)
10		

*1 Torque coefficient: 0.2

Standard	Double Acting, Single Rod	CQ2
Standard	Double Acting, Double Rod	CQ2W
Standard	Single Acting, Spring Return, Extend	CQ2
Large Bore Size	Double Acting, Single Rod	CQ2
Large Bore Size	Double Acting, Double Rod	CQ2W
Anti-lateral Load	Double Acting, Single Rod	CQ2□S
Long Stroke	Double Acting, Single Rod	CQ2
Non-rotating Rod	Double Acting, Single Rod	CQ2K
Non-rotating Rod	Double Acting, Double Rod	CQ2KW
Water Resistant	Double Acting, Single Rod	CQ2-R/V
Water Resistant	Double Acting, Double Rod	CQ2W-RV
Axial Piping	Double Acting, Single Rod	CQP2
Axial Piping	Single Acting, Spring Return, Extend	CQP2
With End Lock	Double Acting, Single Rod	CBQ2
Auto Switch		Auto Switch
Made to Order		Made to Order

CQ2 Series

Construction



Component Parts

No.	Description
1	Piston seal
2	Rod seal
3	Gasket

Replacement Parts/Seal Kit

Bore size [mm]	Kit no.	Contents
4	CQ2B4-PS	Set of nos. ①, ②, ③
6	CQ2B6-PS	
10	CQ2B10-PS	

* Seal kit includes ①, ②, ③. Order the seal kit based on each bore size.

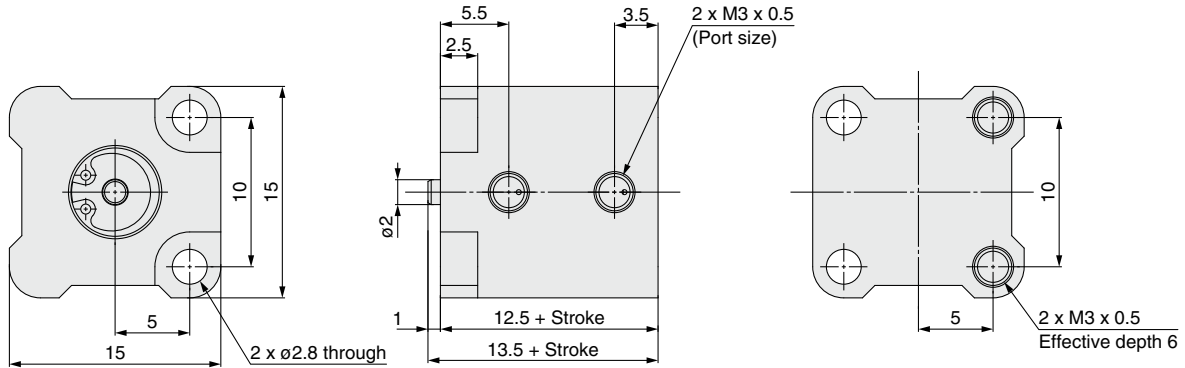
* The seal kit does not include a grease pack. Order it separately.

Grease pack part no.: GR-L-005 (5 g)

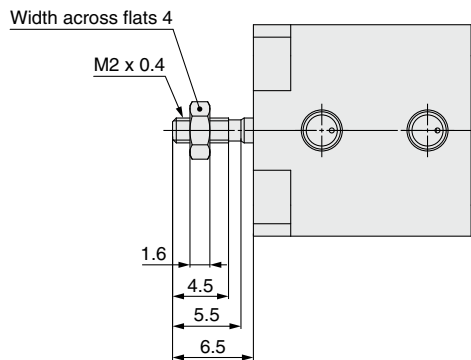
Bore Size

ø4

Without auto switch magnet: **CQ2B4**

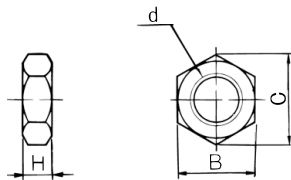


Rod end male thread



* For details on mounting speed controllers and fittings, refer to pages 197 and 198.

Rod End Nut



Material: Carbon steel
Surface treatment: Zinc chromated
[mm]

Bore size	Part no.	d	H	B	C
4	NTJ-004A	M2 x 0.4	1.6	4	4.6
6	NTJ-006B	M3 x 0.5	2.4	5.5	6.4
10	NTJ-015C	M5 x 0.8	4	8	9.4

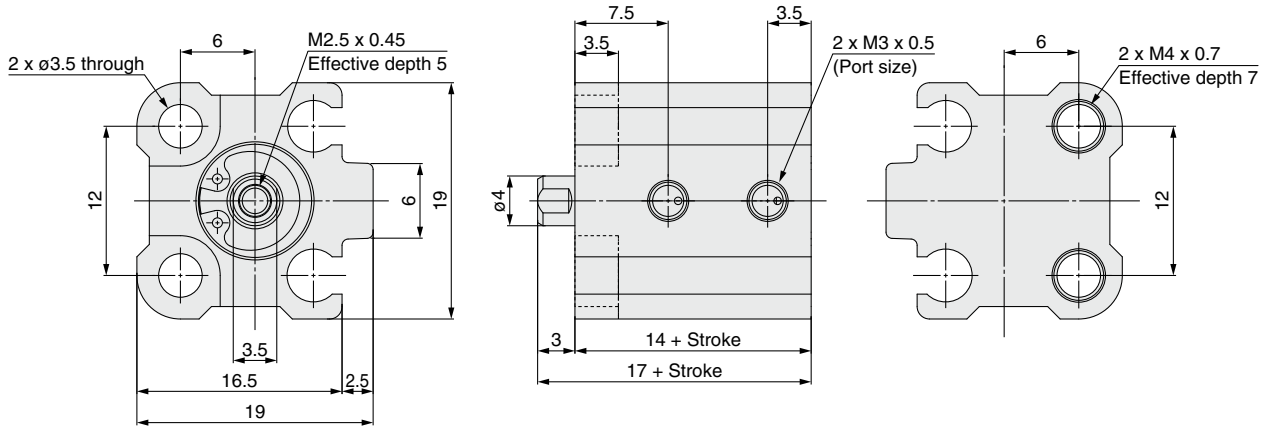
Standard	Double Acting, Single Rod	CQ2
Standard	Double Acting, Double Rod	CQ2W
Standard	Single Acting, Spring Return, End	CQ2
Large Bore Size	Double Acting, Single Rod	CQ2
Large Bore Size	Double Acting, Double Rod	CQ2W
Anti-lateral Load	Double Acting, Single Rod	CQ2□S
Long Stroke	Double Acting, Single Rod	CQ2
Long Stroke	Double Acting, Double Rod	CQ2W
Non-rotating Rod	Double Acting, Single Rod	CQ2K
Non-rotating Rod	Double Acting, Double Rod	CQ2KW
Water Resistant	Double Acting, Single Rod	CQ2-R/V
Water Resistant	Double Acting, Double Rod	CQ2W-R/V
Axial Piping	Double Acting, Single Rod	CQP2
Axial Piping	Double Acting, Double Rod	CQP2
With End Lock	Double Acting, Single Rod	CBQ2
With End Lock	Double Acting, Double Rod	CBQ2
Auto Switch	Double Acting, Single Rod	Auto Switch
Made to Order	Double Acting, Single Rod	Made to Order

CQ2 Series

Bore Size

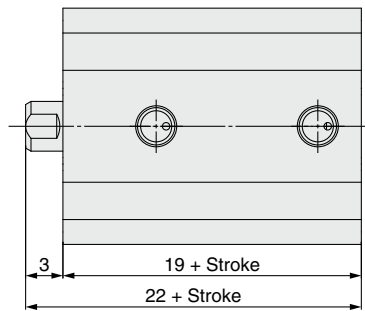
∅6

Without auto switch magnet: CQ2B6

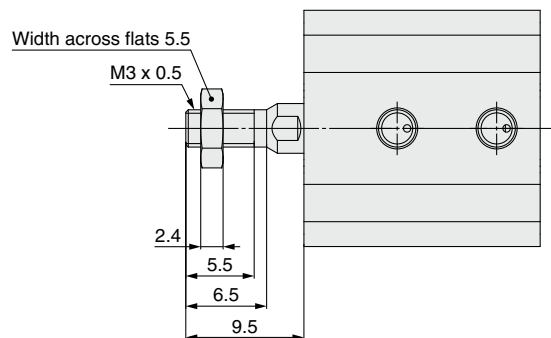


With auto switch magnet: CDQ2B6

* Dimensions other than those indicated are the same as those of the type without an auto switch magnet.



Rod end male thread



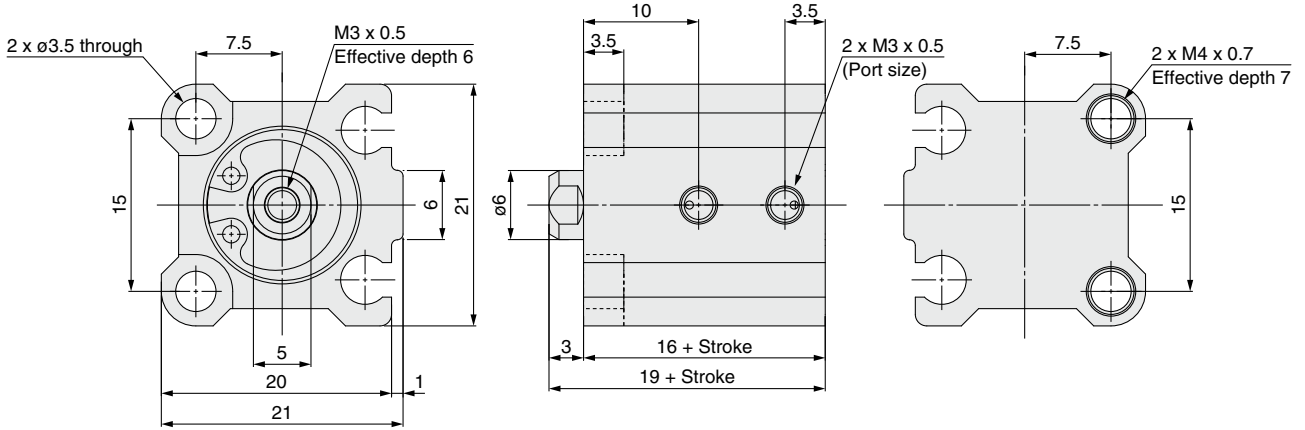
* For details on the rod end nut, refer to page 12.

* For details on mounting speed controllers and fittings, refer to pages 197 and 198.

Bore Size

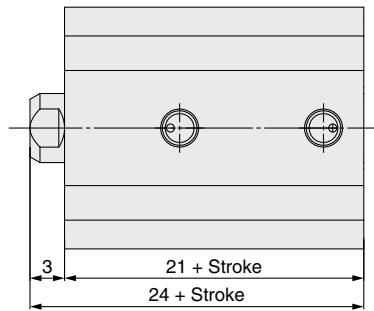
∅10

Without auto switch magnet: **CQ2B10**

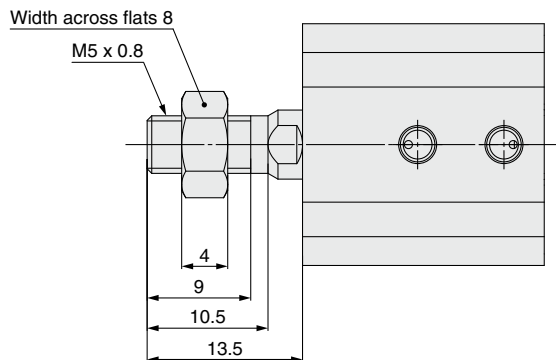


With auto switch magnet: **CDQ2B10**

* Dimensions other than those indicated are the same as those of the type without an auto switch magnet.



Rod end male thread



* For details on the rod end nut, refer to page 12.

* For details on mounting speed controllers and fittings, refer to pages 197 and 198.

Standard	Double Acting, Double Rod	CQ2W
Standard	Double Acting, Single Rod	CQ2
Standard	Single Acting, Spring Return, Single Rod	CQ2
Large Bore Size	Double Acting, Double Rod	CQ2W
Large Bore Size	Double Acting, Single Rod	CQ2
Anti-lateral Load	Double Acting, Single Rod	CQ2□S
Long Stroke	Double Acting, Single Rod	CQ2
Non-rotating Rod	Double Acting, Single Rod	CQ2K
Non-rotating Rod	Double Acting, Double Rod	CQ2KW
Water Resistant	Double Acting, Single Rod	CQ2-R/V
Water Resistant	Double Acting, Double Rod	CQ2W-R/V
Axial Piping	Double Acting, Single Rod	CQP2
Axial Piping	Single Acting, Spring Return, Single Rod	CQP2
With End Lock	Double Acting, Single Rod	CBQ2
Auto Switch		Auto Switch
Made to Order		Made to Order

Compact Cylinder: Standard Double Acting, Single Rod

CQ2 Series

ø12, ø16, ø20, ø25, ø32, ø40, ø50, ø63, ø80, ø100

How to Order

Without auto switch
ø12 to ø25

CQ2 B [] 20 [] - 30 D [] - [] [] - []

Without auto switch
ø32 to ø100

CQ2 B [] 32 [] - 30 D [] Z - [] [] - []

With auto switch

CDQ2 B [] 32 [] - 30 D M Z - L W - M9BW [] - []

With auto switch magnet

The overall length of the cylinder with an auto switch magnet is longer than that of the cylinder without an auto switch magnet by the length of the built-in magnet. For details, refer to the dimensions of each size.

① ② ③ ④ ⑤ ⑥ ⑦ ⑧ ⑨ ⑩ ⑪ ⑫ ⑬

① Mounting

B	Through-hole
A	Both ends tapped
L	Foot
LC	Compact foot
F	Rod flange
G	Head flange
D	Double clevis

- * Mounting brackets are shipped together with the product but do not come assembled.
- * Refer to ⑨ for the through-hole type mounting bolt.
- * For cylinders with mounting options "L," "LC," or "F," the cylinder rod protrusion dimensions (Dimensions L and L₁) vary from the standard cylinder. When only ordering the cylinder, order the rod end length increased by 10 mm (-XC2) cylinder. For details ⇨ p. 178

⑦ Body option

Nil	Rod end female thread
F	With boss on head end
C	With rubber bumper* ¹
M	Rod end male thread

- *¹ The type with a rubber bumper is not selectable for the air-hydro type.
- * Combined body options, such as "FC," "FM," "FCM," and "CM" can be selected.

⑧ Auto switch mounting groove

Z	ø12 to ø25	2 surfaces
	ø32 to ø100	4 surfaces

② Type

Nil	Pneumatic
H	Air-hydro* ¹

- *¹ The bore sizes available for the air-hydro type are ø20 to ø100.

③ Bore size

12	12 mm
16	16 mm
20	20 mm
25	25 mm
32	32 mm
40	40 mm
50	50 mm
63	63 mm
80	80 mm
100	100 mm

④ Port thread type

Nil	M thread	ø12 to ø25
	Rc	
TN	NPT	ø32 to ø100
TF	G	
F	Built-in One-touch fittings* ¹	

- *¹ The bore sizes available with One-touch fittings are ø32 to ø63. However, they cannot be selected for the air-hydro type.
- * "TF" is not selectable for the air-hydro type.
- * For cylinders without an auto switch magnet, M threads are compatible only with ø32-5 mm stroke.

⑤ Cylinder stroke (For details on the minimum L stroke for auto switch mounting ⇨ p. 157)

Bore size	Standard stroke [mm]
12, 16	5, 10, 15, 20, 25, 30
20, 25	5, 10, 15, 20, 25, 30, 35, 40, 45, 50
32, 40	5, 10, 15, 20, 25, 30, 35, 40, 45, 50, 75, 100
50, 63, 80, 100	10, 15, 20, 25, 30, 35, 40, 45, 50, 75, 100

- * For long strokes exceeding the standard stroke range ⇨ p. 80
- * For details on the manufacturing of intermediate strokes ⇨ p. 18
- * The bore sizes available for the air-hydro type are ø20 to ø100.

⑨ Through-hole type mounting bolt

Nil	None
L	Shipped together

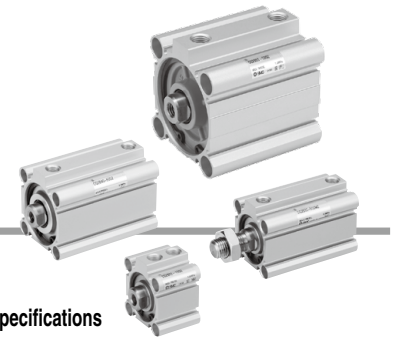
- * Mounting bolt is shipped together with the product only when the mounting bracket is "B" (Through-hole). For details: Without auto switch magnet ⇨ p. 21 With auto switch magnet ⇨ p. 22

- * **When a made-to-order option is selected, the mounting bolt is not shipped together with the product. Please order it separately.**

⑩ Rod end bracket (⇨ p. 34 to 36)

Nil	None
D	Type A mounting bracket + Joint
E	Type B mounting bracket + Joint
V	Single knuckle joint
W	Double knuckle joint

- * Options "D" and "E" must be used in combination with body option (Nil), the rod end female thread, and options "V" and "W" must be used in combination with body option (M), the rod end male thread.
- * A knuckle pin is not provided with the single knuckle joint (V). If a pin is required, please order it separately. For details ⇨ p. 34
- * **When a made-to-order option is selected, the rod end bracket cannot be selected. Please order it separately.**



11 Auto switch

Nil	Without auto switch
-----	---------------------

* For applicable auto switches, refer to the table below.

12 Number of auto switches

Nil	2
S	1
n	n

13 Made to order common specifications

For details ⇨ p. 17

Cylinder Model with Auto Switch Magnet

If a cylinder with an auto switch magnet and without an auto switch is required, there is no need to enter the symbol for the auto switch. (Example) CDQ2L32-25DZ

For details on **auto switch mounting** ⇨ p. 149 to 165

- Auto Switch Proper Mounting Position (Detection at stroke end) and Mounting Height
- Minimum Stroke for Auto Switch Mounting
- Operating Range
- Auto Switch Mounting Brackets/Part Nos.

Proposals for Improving Water and Dust-resistance

SMC offers a wide range of models suitable for various operating environments. This includes models that can be used in environments that the basic model cannot, such as those where coolant liquid, water droplets/splashing, dust, etc., are present.

For details, refer to the **Web Catalog**.

- **Water-resistant cylinder**
- **Cylinder with Stable Lubrication Function (Lube-retainer)**
- **Dust resistant cylinder**

Applicable Auto Switches / Refer to the Web Catalog for further information on auto switches.

Type	Special function	Electrical entry	Indicator light	Wiring (Output)	Load voltage		Auto switch model		Lead wire length [m]					Pre-wired connector	Applicable load			
					DC	AC	Perpendicular	In-line	0.5 (Nil)	1 (M)	3 (L)	5 (Z)	None (N)		Relay, PLC	IC circuit		
Solid state auto switch	—	Grommet	Yes	3-wire (NPN)	24 V	5 V, 12 V	—	M9NV	M9N	●	●	●	○	—			○	Relay, PLC
				3-wire (PNP)				M9PV	M9P	●	●	●	○	—	○			
	2-wire			M9BV				M9B	●	●	●	○	—	○	—			
	3-wire (NPN)			M9NVV				M9NV	●	●	●	○	—	○	—			
	3-wire (PNP)			M9PVV				M9PV	●	●	●	○	—	○	—			
	2-wire			M9BVV				M9BV	●	●	●	○	—	○	—			
	3-wire (NPN)			M9NAV*1				M9NA*1	○	○	●	○	—	○	○	—		
	3-wire (PNP)			M9PAV*1				M9PA*1	○	○	●	○	—	○	○	—		
	2-wire			M9BAV*1				M9BA*1	○	○	●	○	—	○	○	—		
	Magnetic field resistant (2-color indicator)			2-wire (Non-polar)				—	P3DWA	●	—	●	●	—	○	—	—	
Reed auto switch	—	Grommet	Yes	3-wire (NPN equivalent)	24 V	5 V, 12 V	100 V	A96V	A96	●	●	●	●	—	○	Relay, PLC	IC circuit	
				2-wire				A93V	A93	●	●	●	●	—	○*2			—
				—				A90V	A90	●	●	●	●	—	○*2			—

*1 Water-resistant type auto switches can be mounted on the models on page 15, but SMC cannot guarantee water resistance.

A water-resistant type cylinder (⇨ p. 107) is recommended for use in environments which require water resistance.

*2 The load voltage used is 24 VDC.

* Lead wire length symbols: 0.5 m Nil (Example) M9NV
 1 m M (Example) M9NVV
 3 m L (Example) M9NWL
 5 m Z (Example) M9NWZ

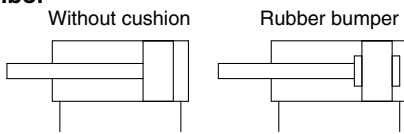
* Auto switches marked with a "○" are produced upon receipt of order.
 * The D-P3DWA type is only available in sizes ø25 to ø100.

* There are applicable auto switches other than those listed above. For details ⇨ p. 165

Standard	Double Acting, Single Rod	CQ2
Standard	Double Acting, Double Rod	CQ2W
Standard	Single Acting, Spring Return, Single Rod	CQ2
Standard	Double Acting, Double Rod	CQ2
Large Bore Size	Double Acting, Double Rod	CQ2W
Anti-lateral Load	Double Acting, Single Rod	CQ2S
Long Stroke	Double Acting, Single Rod	CQ2
Non-rotating Rod	Double Acting, Single Rod	CQ2K
Water Resistant	Double Acting, Single Rod	CQ2-RV
Water Resistant	Double Acting, Double Rod	CQ2W-RV
Axial Piping	Double Acting, Single Rod	CQP2
Axial Piping	Single Acting, Spring Return, Single Rod	CQP2
With End Lock	Double Acting, Single Rod	CBQ2
Auto Switch		
Made to Order		

CQ2 Series

Symbol



Made to Order Common Specifications
(For details ⇨ p. 167 to 196)

Symbol	Specifications
-XA□	Change of rod end shape
-XB6	Heat-resistant cylinder (-10 to 150°C) w/o auto switch only*1
-XB7	Cold-resistant cylinder (-40 to 70°C) w/o auto switch only
-XB9	Low-speed cylinder (10 to 50 mm/s)
-XB10	Intermediate stroke (Exclusive body type)
-XB13	Low-speed cylinder (5 to 50 mm/s)
-XB14	Cylinder with heat-resistant auto switch*1
-XC2(A)	Rod end length increased by 10 mm (For foot and flange bracket)
-XC4	With heavy duty scraper
-XC6	Piston rod/Retaining ring/Rod end nut material: Stainless steel
-XC8	Adjustable stroke cylinder/Adjustable extension type
-XC9	Adjustable stroke cylinder/Adjustable retraction type
-XC10	Dual stroke cylinder/Double rod type
-XC11	Dual stroke cylinder/Single rod type
-XC26	With split pins for double clevis pin/double knuckle joint pin and flat washers
-XC26□	Double clevis width/Double knuckle width 12.5 mm, 16.5 mm, or 19.5 mm: With double clevis and double knuckle joint
-XC27	Double clevis pin/Double knuckle joint pin material: Stainless steel 304
-XC35	With coil scraper
-XC36	With boss on rod end
-XC85	Grease for food processing equipment
-XC88	Spatter-resistant coil scraper, Lube-retainer, Grease for welding (Piston rod: Stainless steel 304)
-XC89	Spatter-resistant coil scraper, Lube-retainer, Grease for welding (Piston rod: S45C)
-XC91	Spatter-resistant coil scraper, Grease for welding (Piston rod: S45C)
-XC92	Dust-resistant actuator
-X144	Special port location, with auto switch
-X271	Fluororubber seals*1
-X525	Long stroke for adjustable extension stroke cylinder (-XC8)
-X526	Long stroke for adjustable retraction stroke cylinder (-XC9)
-X636	Long stroke for dual stroke single rod cylinder
-X1876	Cylinder tube: With concave boss on head end

*1 Excludes the air-hydro type

Clean Series/Low Particle Generation

For details, refer to the **Web Catalog**.

* Stainless steel accessories are also available.
For details ⇨ p. 34

Moisture Control Tube IDK Series



When operating an actuator with a small bore size and a short stroke at a high frequency, dew condensation (water droplets) may occur inside the piping depending on the conditions. Simply connecting the moisture control tube to the actuator will prevent dew condensation from occurring. For details, refer to the **Web Catalog**.

⚠ Precautions

Refer to page 197 before handling the products.

Specifications

Pneumatic type

Bore size [mm]	12	16	20	25	32	40	50	63	80	100	
Action	Double acting, Single rod										
Fluid	Air										
Proof pressure	1.5 MPa										
Maximum operating pressure	1.0 MPa										
Minimum operating pressure	0.07 MPa		0.05 MPa								
Ambient and fluid temperatures	Without auto switch magnet: -10 to 70°C (No freezing) With auto switch magnet: -10 to 60°C										
Lubrication	Not required (Non-lube)										
Piston speed	50 to 500 mm/s										
Cushion	Without cushion or With rubber bumper										
Allowable kinetic energy [J]	Without cushion	0.022	0.038	0.055	0.09	0.15	0.26	0.46	0.77	1.36	2.27
	With rubber bumper	0.043	0.075	0.11	0.18	0.29	0.52	0.91	1.54	2.71	4.54
Stroke length tolerance	+1.0 mm*1 0										

*1 Stroke length tolerance does not include the amount of bumper change.

Air-hydro type

Bore size [mm]	20	25	32	40	50	63	80	100
Action	Double acting, Single rod							
Fluid	Turbine oil*1							
Proof pressure	1.5 MPa							
Maximum operating pressure	1.0 MPa							
Minimum operating pressure	0.18 MPa		0.1 MPa					
Ambient and fluid temperatures	5 to 60°C							
Piston speed	5 to 50 mm/s							
Cushion	None							
Stroke length tolerance	+1.0 mm 0							

*1 Actuator Precautions 5 ⇨ Refer to the **Web Catalog**.

Mounting Bracket Part Nos.

Bore size [mm]		Foot*1	Compact foot*1	Flange	Double clevis	Double clevis pivot bracket
12	Without auto switch magnet	CQ-L012	CQ-LC012	CQ-F012	CQ-D012	CQ-C012
	With auto switch magnet	CQ-LZ12	CQ-LCZ12			
16	Without auto switch magnet	CQ-L016	CQ-LC016	CQ-F016	CQ-D016	CQ-C016
	With auto switch magnet	CQ-LZ16	CQ-LCZ16			
20	Without auto switch magnet	CQ-L020	CQ-LC020	CQ-F020	CQ-D020	CQ-C020
	With auto switch magnet	CQ-LZ20	CQ-LCZ20			
25	Without auto switch magnet	CQ-L025	CQ-LC025	CQ-F025	CQ-D025	CQ-C025
	With auto switch magnet	CQ-LZ25	CQ-LCZ25			
32		CQ-L032	CQ-LC032	CQ-F032	CQ-D032	CQ-C032
40		CQ-L040	CQ-LC040	CQ-F040	CQ-D040	CQ-C040
50		CQ-L050	CQ-LC050	CQ-F050	CQ-D050	CQ-C050
63		CQ-L063	CQ-LC063	CQ-F063	CQ-D063	CQ-C063
80		CQ-L080	CQ-LC080	CQ-F080	CQ-D080	CQ-C080
100		CQ-L100	CQ-LC100	CQ-F100	CQ-D100	CQ-C100

*1 When ordering foot and compact foot brackets, the required quantity will be different depending on the bore size.

ø12 to ø25:

• Without auto switch magnet: Order 2 pieces per cylinder.

• With auto switch magnet: Order 1 piece per cylinder. (Part number for a set of 2 foot brackets)

ø32 to ø100:

• Order 2 pieces per cylinder.

* Parts included with each type of bracket are as follows.

Foot, Compact foot, Flange: Body mounting bolts

Double clevis: Clevis pin, Type C retaining rings for axis, Body mounting bolts

* For details on accessory brackets (Options) ⇨ p. 29 to 36

* Foot, compact foot, flange brackets, etc., cannot be retrofitted for through-hole mounting (B).

Manufacturing of Intermediate Strokes

Strokes are available in 1 mm increments.
As 2 different types are available, be sure to check the body dimensions.
For the air-hydro type, only ② the exclusive body type “-XB10” is applicable.

How to Order: 57 mm stroke

CQ2B50 - 57 DZ -

Stroke

Stroke suffix

Nil	A 18 mm spacer is installed on 75 mm stroke tube.	⇄ ①
XB10	Makes 57 mm stroke tube.	⇄ ②

1. Spacer-installed type

Symbol
Nil

A spacer is installed on the standard stroke body (◆ indication). (Excludes the air-hydro type)
The ○ indicates the selectable stroke range.

Bore size [mm]	Stroke range	Stroke													75	100	
		5	10	15	20	25	30	35	40	45	50						
12, 16	1 to 29	○	◆	○	◆	○	◆	○	◆	○	◆						
20, 25	1 to 49	○	◆	○	◆	○	◆	○	◆	○	◆	○	◆				
32, 40	1 to 99	○	◆	○	◆	○	◆	○	◆	○	◆	○	◆		○		◆
50 to 100	1 to 99	○	◆	○	◆	○	◆	○	◆	○	◆	○	◆		○	◆	○

Ordering example

Part no.	CQ2B50-57DZ	
Description	<ul style="list-style-type: none"> • Uses a standard stroke (75 mm) tube. • Makes 57 mm stroke with 18 mm spacer inside. • The B dimension is 115.5 mm. B = 40.5 + 75 	

2. Exclusive body type

Symbol
-XB10

A made-to-order exclusive body for specified strokes is also available. The overall length can be made shorter than that of the spacer-installed type.

Bore size [mm]	Stroke range
12, 16	6 to 29
20, 25	6 to 49
32, 40	6 to 99
50 to 100	11 to 99

* In the case of exclusive body type with ø32 to ø100 (-XB10) with the stroke length exceeding 50 mm, reference values of the longitudinal dimension (A/ B dimension) will be the same as those with auto switch magnet.
For details ⇨ p. 174

Ordering example

Part no.	CQ2B50-57DZ-XB10	
Description	<ul style="list-style-type: none"> • Makes 57 mm stroke tube. • The B dimension is 97.5 mm. B = 40.5 + 57 	

Standard Double Acting, Single Rod **CQ2**

Standard Double Acting, Double Rod **CQ2W**

Single Acting, Spring Return, End **CQ2**

Large Bore Size Double Acting, Single Rod **CQ2**

Large Bore Size Double Acting, Double Rod **CQ2W**

Anti-lateral Load Double Acting, Single Rod **CQ2S**

Long Stroke Double Acting, Single Rod **CQ2**

Non-rotating Rod Double Acting, Single Rod **CQ2K**

Non-rotating Rod Double Acting, Double Rod **CQ2KW**

Water Resistant Double Acting, Single Rod **CQ2-R/V**

Water Resistant Double Acting, Double Rod **CQ2W-R/V**

Axial Piping Double Acting, Single Rod **CQP2**

Axial Piping Single Acting, Spring Return, End **CQP2**

With End Lock Double Acting, Single Rod **CBQ2**

Auto Switch

Made to Order

CQ2 Series

Allowable Kinetic Energy

Load Mass and Piston Speed [J]

Bore size [mm]	12	16	20	25	32	40	50	63	80	100
Standard/ Allowable kinetic energy: Ea	0.022	0.038	0.055	0.09	0.15	0.26	0.46	0.77	1.36	2.27
With rubber bumper/ Allowable kinetic energy: Eb	0.043	0.075	0.110	0.18	0.29	0.52	0.91	1.54	2.71	4.54

$$\text{Kinetic energy } E \text{ [J]} = \frac{(m_1+m_2) V^2}{2}$$

m1: Mass of cylinder movable parts [kg]
m2: Load mass [kg]
V: Piston speed [m/s]

Mass of Cylinder Movable Parts: Without Auto Switch Magnet [g]

Bore size [mm]	Cylinder stroke [mm]											
	5	10	15	20	25	30	35	40	45	50	75	100
12	5	6	7	8	10	11	—	—	—	—	—	—
16	9	11	13	15	17	19	—	—	—	—	—	—
20	15	18	21	24	27	31	34	37	40	44	—	—
25	24	28	33	37	42	46	51	55	60	64	—	—
32	45	52	60	68	76	84	92	100	107	115	170	209
40	64	72	80	88	96	104	112	119	127	135	190	229
50	—	117	129	141	153	166	178	190	202	214	300	361
63	—	153	165	177	190	202	214	226	239	251	337	398
80	—	270	289	308	327	347	366	385	404	423	557	653
100	—	487	515	543	570	598	625	653	681	708	901	1038

Mass of Cylinder Movable Parts: With Auto Switch Magnet [g]

Bore size [mm]	Cylinder stroke [mm]											
	5	10	15	20	25	30	35	40	45	50	75	100
12	8	9	10	11	12	13	—	—	—	—	—	—
16	16	18	20	22	24	26	—	—	—	—	—	—
20	28	31	34	37	40	44	47	50	53	56	—	—
25	44	48	53	57	62	66	71	75	80	84	—	—
32	78	86	93	101	109	117	125	133	140	148	187	227
40	109	117	125	133	140	148	156	164	172	180	219	258
50	—	187	199	211	223	236	248	260	272	285	346	407
63	—	254	266	278	290	303	315	327	339	352	413	474
80	—	433	453	472	491	510	530	549	568	587	683	778
100	—	741	768	796	823	851	879	906	934	962	1099	1236

Additional Mass of Cylinder Movable Parts [g]

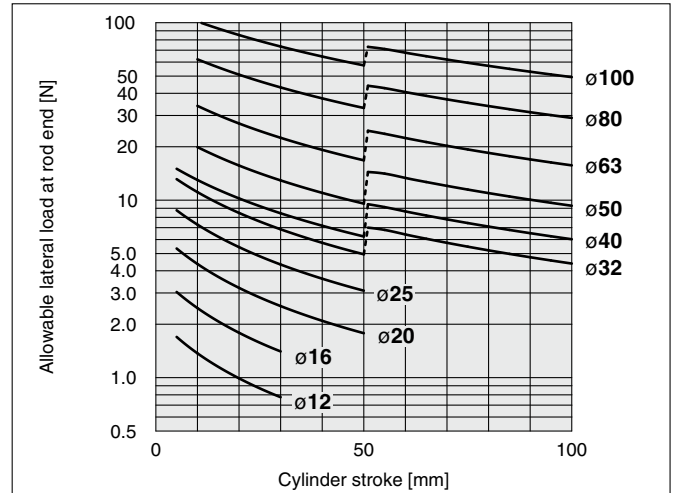
Bore size [mm]		12	16	20	25	32	40	50	63	80	100
Rod end male thread	Male thread	1.5	3	6	12	26	27	53	53	120	175
	Nut	1	2	4	8	17	17	32	32	49	116
With rubber bumper		0	0	-2	-3	-3	-7	-9	-18	-31	-56

Calculation: (Example) **CDQ2B32-20DCMZ**

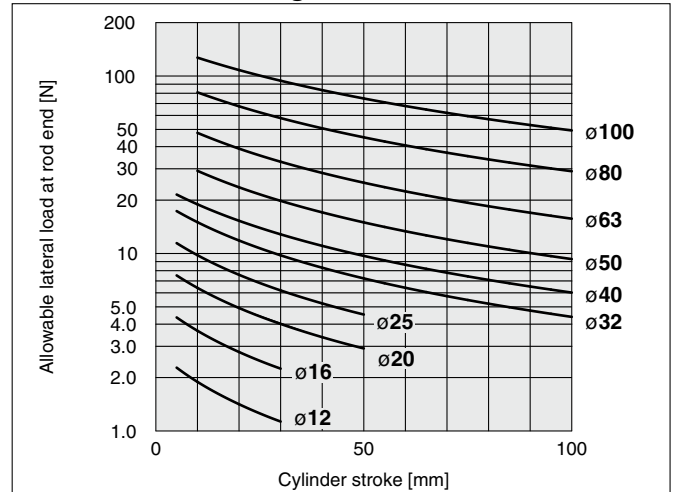
- Basic mass: CDQ2B32-20DZ 101 g
 - Additional mass: Rod end male thread 43 g
 - With rubber bumper -3 g
- 141 g

Allowable Lateral Load at Rod End

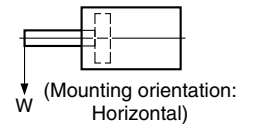
Without Auto Switch Magnet



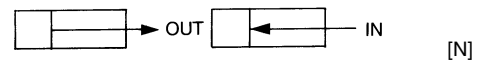
With Auto Switch Magnet



If an allowable lateral load at rod end is exceeding the value in the graph, we recommend anti-lateral load type cylinder be used.



Theoretical Output



Bore size [mm]	Operating direction	Operating pressure [MPa]		
		0.3	0.5	0.7
12	IN	25	42	59
	OUT	34	57	79
16	IN	45	75	106
	OUT	60	101	141
20	IN	71	118	165
	OUT	94	157	220
25	IN	113	189	264
	OUT	147	245	344
32	IN	181	302	422
	OUT	241	402	563
40	IN	317	528	739
	OUT	377	628	880
50	IN	495	825	1150
	OUT	589	982	1370
63	IN	841	1400	1960
	OUT	935	1560	2180
80	IN	1360	2270	3170
	OUT	1510	2510	3520
100	IN	2140	3570	5000
	OUT	2360	3930	5500

Weight

Without Auto Switch Magnet [g]

Bore size [mm]	Cylinder stroke [mm]											
	5	10	15	20	25	30	35	40	45	50	75	100
12	29	35	41	47	54	60	—	—	—	—	—	—
16	42	50	59	67	76	84	—	—	—	—	—	—
20	63	75	88	101	114	127	140	152	165	178	—	—
25	86	100	115	129	144	158	173	187	202	216	—	—
32	125	145	165	184	204	224	244	263	283	303	448	547
40	187	208	230	251	273	294	315	337	358	380	552	664
50	—	339	372	405	438	471	504	537	570	603	872	1043
63	—	480	518	556	594	632	670	708	746	784	1112	1308
80	—	916	976	1036	1097	1157	1217	1277	1338	1398	1917	2215
100	—	1608	1688	1768	1849	1929	2010	2090	2170	2251	2982	3391

With Auto Switch Magnet [g]

Bore size [mm]	Cylinder stroke [mm]											
	5	10	15	20	25	30	35	40	45	50	75	100
12	43	49	55	61	67	73	—	—	—	—	—	—
16	64	71	79	87	95	102	—	—	—	—	—	—
20	94	106	118	131	143	155	167	179	191	203	—	—
25	134	149	164	180	195	210	226	241	256	272	—	—
32	182	202	222	241	261	281	300	320	340	359	459	558
40	269	290	312	333	355	376	398	420	441	463	575	687
50	—	455	488	521	554	587	620	653	686	719	891	1062
63	—	627	665	703	741	779	817	855	893	931	1129	1326
80	—	1162	1222	1282	1342	1403	1463	1524	1584	1644	1941	2237
100	—	1966	2047	2127	2208	2288	2368	2449	2529	2610	3018	3426

Additional Weight [g]

Bore size [mm]		12	16	20	25	32	40	50	63	80	100
Both ends tapped		2	2	6	6	6	6	6	19	45	45
Rod end male thread	Male thread	1.5	3	6	12	26	27	53	53	120	175
	Nut	1	2	4	8	17	17	32	32	49	116
With boss on head end		0.7	1.3	2	3	5	7	13	25	45	96
With rubber bumper		0	0	-2	-3	-3	-7	-9	-18	-31	-56
Built-in One-touch fittings		—	—	—	—	12	12	21	21	—	—
Foot (Including mounting bolts)		50	62	150	175	120	138	219	297	589	968
Compact foot (Including mounting bolts)		37	46	115	134	94	109	172	234	492	762
Rod flange (Including mounting bolts)		57	69	139	161	180	214	373	559	1056	1365
Head flange (Including mounting bolts)		54	65	133	152	165	198	348	534	1017	1309
Double clevis (Including pin, retaining rings, bolts)		32	39	88	123	151	196	393	554	1109	1887

Calculation: (Example) **CQ2D32-20DCMZ**

- Basic weight: CQ2B32-20DZ 184 g
 - Additional weight: Both ends tapped 6 g
 - Rod end male thread 43 g
 - With rubber bumper -3 g
 - Double clevis 151 g
- 381 g

Additional Weight [g]

Bore size [mm]		12	16	20	25	32	40	50	63	80	100
Both ends tapped		1	1	3	3	6	6	6	19	45	45
Rod end male thread	Male thread	1.5	3	6	12	26	27	53	53	120	175
	Nut	1	2	4	8	17	17	32	32	49	116
With boss on head end		0.7	1.3	2	3	5	7	13	25	45	96
With rubber bumper		0	0	-2	-3	-3	-7	-9	-18	-31	-56
Built-in One-touch fittings		—	—	—	—	12	12	21	21	—	—
Foot (Including mounting bolts)		41	53	126	149	120	138	219	297	589	968
Compact foot (Including mounting bolts)		30	38	94	113	94	109	172	234	492	762
Rod flange (Including mounting bolts)		54	67	131	153	180	214	373	559	1056	1365
Head flange (Including mounting bolts)		52	63	124	144	165	198	348	534	1017	1309
Double clevis (Including pin, retaining rings, bolts)		29	35	78	114	151	196	393	554	1109	1887

Calculation: (Example) **CDQ2D32-20DCMZ**

- Basic weight: CQ2B32-20DZ 241 g
 - Additional weight: Both ends tapped 6 g
 - Rod end male thread 43 g
 - With rubber bumper -3 g
 - Double clevis 151 g
- 438 g

Add each weight of auto switches when auto switches are mounted.

Standard Double Acting, Single Rod **CQ2**

Standard Double Acting, Double Rod **CQ2W**

Single Acting, Spring Return, Single Rod **CQ2**

Single Acting, Spring Return, Double Rod **CQ2W**

Large Bore Size Double Acting, Single Rod **CQ2**

Large Bore Size Double Acting, Double Rod **CQ2W**

Anti-lateral Load Double Acting, Single Rod **CQ2**

Anti-lateral Load Double Acting, Double Rod **CQ2W**

Long Stroke Double Acting, Single Rod **CQ2**

Long Stroke Double Acting, Double Rod **CQ2W**

Non-rotating Rod Double Acting, Single Rod **CQ2K**

Non-rotating Rod Double Acting, Double Rod **CQ2KW**

Water Resistant Double Acting, Single Rod **CQ2-R/V**

Water Resistant Double Acting, Double Rod **CQ2W-R/V**

Axial Piping Single Acting, Single Rod **CQP2**

Axial Piping Single Acting, Spring Return, Single Rod **CQP2**

With End Lock Double Acting, Single Rod **CBQ2**

Auto Switch

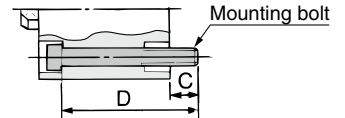
Made to Order

CQ2 Series

Through-hole Type Mounting Bolt for the CQ2: Without Auto Switch Magnet

Mounting bolt for the through-hole mounting of the CQ2B is available as an option.
 Refer to the following for ordering procedures.
 Order the actual number of bolts that will be used.
 For models with an auto switch magnet ⇨ p. 22

Type: Hexagon socket head cap screw
 Material: Chromium molybdenum steel
 Surface treatment: Zinc chromated



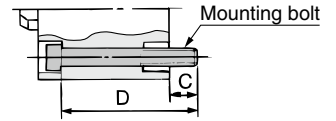
Example) CQ-M3 x 25L 4 pcs.

Cylinder model	C	D	Mounting bolt part no.	Cylinder model	C	D	Mounting bolt part no.	Cylinder model	C	D	Mounting bolt part no.
CQ2B12-5D	6.5	25	CQ-M3 x 25L	CQ2B40-5DZ	7.5	35	CQ-M5 x 35L	CQ2B80-10DZ	15	55	CQ-M10 x 55L
-10D		30	x 30L	-10DZ		40	x 40L	-15DZ		60	x 60L
-15D		35	x 35L	-15DZ		45	x 45L	-20DZ		65	x 65L
-20D		40	x 40L	-20DZ		50	x 50L	-25DZ		70	x 70L
-25D		45	x 45L	-25DZ		55	x 55L	-30DZ		75	x 75L
-30D	50	x 50L	-30DZ	60	x 60L	-35DZ	80	x 80L			
CQ2B16-5D	5	25	CQ-M3 x 25L	-35DZ	65	x 65L	-40DZ	85		x 85L	
-10D		30	x 30L	-40DZ	70	x 70L	-45DZ	90		x 90L	
-15D		35	x 35L	-45DZ	75	x 75L	-50DZ	95		x 95L	
-20D		40	x 40L	-50DZ	80	x 80L	-55DZ-XB10	110		x 110L	
-25D		45	x 45L	-55DZ-XB10	95	x 95L	-60DZ-XB10	115		x 115L	
-30D	50	x 50L	-60DZ-XB10	100	x 100L	-65DZ-XB10	120	x 120L			
CQ2B20-5D	7.5	25	CQ-M5 x 25L	-65DZ-XB10	105	x 105L	-70DZ-XB10	125		x 125L	
-10D		30	x 30L	-70DZ-XB10	110	x 110L	-75DZ	130		x 130L	
-15D		35	x 35L	-75DZ	115	x 115L	-80DZ-XB10	135		x 135L	
-20D		40	x 40L	-80DZ-XB10	120	x 120L	-85DZ-XB10	140	x 140L		
-25D		45	x 45L	-85DZ-XB10	125	x 125L	-90DZ-XB10	145	x 145L		
-30D		50	x 50L	-90DZ-XB10	130	x 130L	-95DZ-XB10	150	x 150L		
-35D		55	x 55L	-95DZ-XB10	135	x 135L	-100DZ	155	x 155L		
-40D		60	x 60L	-100DZ	140	x 140L	CQ2B100-10DZ	65	CQ-M10 x 65L		
-45D		65	x 65L	CQ2B50-10DZ	45	CQ-M6 x 45L	-15DZ	70	x 70L		
-50D		70	x 70L	-15DZ	50	x 50L	-20DZ	75	x 75L		
CQ2B25-5D	9.5	30	CQ-M5 x 30L	-20DZ	55	x 55L	-25DZ	80	x 80L		
-10D		35	x 35L	-25DZ	60	x 60L	-30DZ	85	x 85L		
-15D		40	x 40L	-30DZ	65	x 65L	-35DZ	90	x 90L		
-20D		45	x 45L	-35DZ	70	x 70L	-40DZ	95	x 95L		
-25D		50	x 50L	-40DZ	75	x 75L	-45DZ	100	x 100L		
-30D		55	x 55L	-45DZ	80	x 80L	-50DZ	105	x 105L		
-35D		60	x 60L	-50DZ	85	x 85L	-55DZ-XB10	120	x 120L		
-40D		65	x 65L	-55DZ-XB10	100	x 100L	-60DZ-XB10	125	x 125L		
-45D		70	x 70L	-60DZ-XB10	105	x 105L	-65DZ-XB10	130	x 130L		
-50D		75	x 75L	-65DZ-XB10	110	x 110L	-70DZ-XB10	135	x 135L		
CQ2B32-5DZ	9	30	CQ-M5 x 30L	-70DZ-XB10	115	x 115L	-75DZ	140	x 140L		
-10DZ		35	x 35L	-75DZ	120	x 120L	-80DZ-XB10	145	x 145L		
-15DZ		40	x 40L	-80DZ-XB10	125	x 125L	-85DZ-XB10	150	x 150L		
-20DZ		45	x 45L	-85DZ-XB10	130	x 130L	-90DZ-XB10	155	x 155L		
-25DZ		50	x 50L	-90DZ-XB10	135	x 135L	-95DZ-XB10	160	x 160L		
-30DZ		55	x 55L	-95DZ-XB10	140	x 140L	-100DZ	165	x 165L		
-35DZ		60	x 60L	-100DZ	145	x 145L					
-40DZ		65	x 65L	CQ2B63-10DZ	50	CQ-M8 x 50L					
-45DZ		70	x 70L	-15DZ	55	x 55L					
-50DZ		75	x 75L	-20DZ	60	x 60L					
-55DZ-XB10		90	x 90L	-25DZ	65	x 65L					
-60DZ-XB10		95	x 95L	-30DZ	70	x 70L					
-65DZ-XB10		100	x 100L	-35DZ	75	x 75L					
-70DZ-XB10		105	x 105L	-40DZ	80	x 80L					
-75DZ		110	x 110L	-45DZ	85	x 85L					
-80DZ-XB10	115	x 115L	-50DZ	90	x 90L						
-85DZ-XB10	120	x 120L	-55DZ-XB10	105	x 105L						
-90DZ-XB10	125	x 125L	-60DZ-XB10	110	x 110L						
-95DZ-XB10	130	x 130L	-65DZ-XB10	115	x 115L						
-100DZ	135	x 135L	-70DZ-XB10	120	x 120L						
			-75DZ	125	x 125L						
			-80DZ-XB10	130	x 130L						
			-85DZ-XB10	135	x 135L						
			-90DZ-XB10	140	x 140L						
			-95DZ-XB10	145	x 145L						
			-100DZ	150	x 150L						

Through-hole Type Mounting Bolt for the CDQ2: With Auto Switch Magnet

Mounting bolt for the through-hole mounting of the CDQ2B is available as an option.
 Refer to the following for ordering procedures.
 Order the actual number of bolts that will be used.
 For models without an auto switch magnet ⇨ p. 21

Type: Hexagon socket head cap screw
 Material: Chromium molybdenum steel
 Surface treatment: Zinc chromated



Example) CQ-M3 x 35L 2 pcs.

Cylinder model	C	D	Mounting bolt part no.	Cylinder model	C	D	Mounting bolt part no.	Cylinder model	C	D	Mounting bolt part no.
CDQ2B12-5DZ	5.5	35	CQ-M3 x 35L	CDQ2B40-5DZ	7.5	45	CQ-M5 x 45L	CDQ2B80-10DZ	15	65	CQ-M10 x 65L
-10DZ		40	x 40L	-10DZ		50	x 50L	-15DZ		70	x 70L
-15DZ		45	x 45L	-15DZ		55	x 55L	-20DZ		75	x 75L
-20DZ		50	x 50L	-20DZ		60	x 60L	-25DZ		80	x 80L
-25DZ		55	x 55L	-25DZ		65	x 65L	-30DZ		85	x 85L
-30DZ		60	x 60L	-30DZ		70	x 70L	-35DZ		90	x 90L
CDQ2B16-5DZ	8	40	CQ-M3 x 40L	-35DZ	75	x 75L	-40DZ	95	x 95L		
-10DZ		45	x 45L	-40DZ	80	x 80L	-45DZ	100	x 100L		
-15DZ		50	x 50L	-45DZ	85	x 85L	-50DZ	105	x 105L		
-20DZ		55	x 55L	-50DZ	90	x 90L	-55DZ-XB10	110	x 110L		
-25DZ		60	x 60L	-55DZ-XB10	95	x 95L	-60DZ-XB10	115	x 115L		
-30DZ		65	x 65L	-60DZ-XB10	100	x 100L	-65DZ-XB10	120	x 120L		
CDQ2B20-5DZ	10.5	40	CQ-M5 x 40L	-65DZ-XB10	105	x 105L	-70DZ-XB10	125	x 125L		
-10DZ		45	x 45L	-70DZ-XB10	110	x 110L	-75DZ	130	x 130L		
-15DZ		50	x 50L	-80DZ-XB10	115	x 115L	-80DZ-XB10	135	x 135L		
-20DZ		55	x 55L	-85DZ-XB10	120	x 120L	-85DZ-XB10	140	x 140L		
-25DZ		60	x 60L	-85DZ-XB10	125	x 125L	-90DZ-XB10	145	x 145L		
-30DZ		65	x 65L	-90DZ-XB10	130	x 130L	-95DZ-XB10	150	x 150L		
-35DZ		70	x 70L	-95DZ-XB10	135	x 135L	-100DZ	155	x 155L		
-40DZ		75	x 75L	-100DZ	140	x 140L	CDQ2B100-10DZ	75	CQ-M10 x 75L		
-45DZ		80	x 80L	CDQ2B50-10DZ	55	CQ-M6 x 55L	-15DZ	80	x 80L		
-50DZ		85	x 85L	-15DZ	60	x 60L	-20DZ	85	x 85L		
CDQ2B25-5DZ	9.5	40	CQ-M5 x 40L	-20DZ	65	x 65L	-25DZ	90	x 90L		
-10DZ		45	x 45L	-25DZ	70	x 70L	-30DZ	95	x 95L		
-15DZ		50	x 50L	-30DZ	75	x 75L	-35DZ	100	x 100L		
-20DZ		55	x 55L	-35DZ	80	x 80L	-40DZ	105	x 105L		
-25DZ		60	x 60L	-40DZ	85	x 85L	-45DZ	110	x 110L		
-30DZ		65	x 65L	-45DZ	90	x 90L	-50DZ	115	x 115L		
-35DZ		70	x 70L	-50DZ	95	x 95L	-55DZ-XB10	120	x 120L		
-40DZ		75	x 75L	-55DZ-XB10	100	x 100L	-60DZ-XB10	125	x 125L		
-45DZ		80	x 80L	-60DZ-XB10	105	x 105L	-65DZ-XB10	130	x 130L		
-50DZ		85	x 85L	-65DZ-XB10	110	x 110L	-70DZ-XB10	135	x 135L		
CDQ2B32-5DZ	9	40	CQ-M5 x 40L	-70DZ-XB10	115	x 115L	-75DZ	140	x 140L		
-10DZ		45	x 45L	-75DZ	120	x 120L	-80DZ-XB10	145	x 145L		
-15DZ		50	x 50L	-80DZ-XB10	125	x 125L	-85DZ-XB10	150	x 150L		
-20DZ		55	x 55L	-85DZ-XB10	130	x 130L	-90DZ-XB10	155	x 155L		
-25DZ		60	x 60L	-90DZ-XB10	135	x 135L	-95DZ-XB10	160	x 160L		
-30DZ		65	x 65L	-95DZ-XB10	140	x 140L	-100DZ	165	x 165L		
-35DZ		70	x 70L	-100DZ	145	x 145L	CDQ2B63-10DZ	60	CQ-M8 x 60L		
-40DZ		75	x 75L	CDQ2B63-10DZ	60	CQ-M8 x 60L	-15DZ	65	x 65L		
-45DZ		80	x 80L	-15DZ	65	x 65L	-20DZ	70	x 70L		
-50DZ		85	x 85L	-20DZ	70	x 70L	-25DZ	75	x 75L		
-55DZ-XB10		90	x 90L	-25DZ	75	x 75L	-30DZ	80	x 80L		
-60DZ-XB10		95	x 95L	-30DZ	80	x 80L	-35DZ	85	x 85L		
-65DZ-XB10		100	x 100L	-35DZ	85	x 85L	-40DZ	90	x 90L		
-70DZ-XB10		105	x 105L	-40DZ	90	x 90L	-45DZ	95	x 95L		
-75DZ	110	x 110L	-45DZ	95	x 95L	-50DZ	100	x 100L			
-80DZ-XB10	115	x 115L	-50DZ	100	x 100L	-55DZ-XB10	105	x 105L			
-85DZ-XB10	120	x 120L	-55DZ-XB10	105	x 105L	-60DZ-XB10	110	x 110L			
-90DZ-XB10	125	x 125L	-60DZ-XB10	110	x 110L	-65DZ-XB10	115	x 115L			
-95DZ-XB10	130	x 130L	-65DZ-XB10	115	x 115L	-70DZ-XB10	120	x 120L			
-100DZ	135	x 135L	-70DZ-XB10	120	x 120L	-75DZ	125	x 125L			
			-75DZ	125	x 125L	-80DZ-XB10	130	x 130L			
			-80DZ-XB10	130	x 130L	-85DZ-XB10	135	x 135L			
			-85DZ-XB10	135	x 135L	-90DZ-XB10	140	x 140L			
			-90DZ-XB10	140	x 140L	-95DZ-XB10	145	x 145L			
			-95DZ-XB10	145	x 145L	-100DZ	150	x 150L			
			-100DZ	150	x 150L						

Standard Double Acting, Single Rod **CQ2**

Standard Double Acting, Double Rod **CQ2W**

Single Acting, Spring Return, Single Rod **CQ2**

Single Acting, Spring Return, Double Rod **CQ2W**

Large Bore Size Double Acting, Double Rod **CQ2W**

Anti-lateral Load Double Acting, Single Rod **CQ2S**

Long Stroke Double Acting, Single Rod **CQ2**

Non-rotating Rod Double Acting, Double Rod **CQ2KW**

Water Resistant Double Acting, Single Rod **CQ2-RV**

Double Acting, Double Rod **CQ2W-RV**

Axial Piping Double Acting, Single Rod **CQP2**

Single Acting, Spring Return, Single Rod **CQP2**

With End Lock Double Acting, Single Rod **CBQ2**

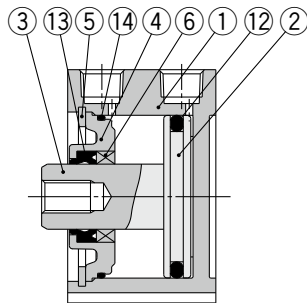
Auto Switch

Made to Order

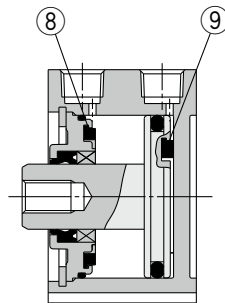
CQ2 Series

Construction

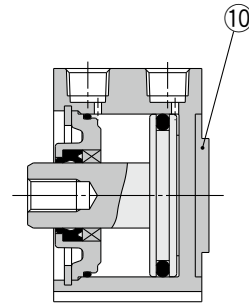
Without auto switch magnet



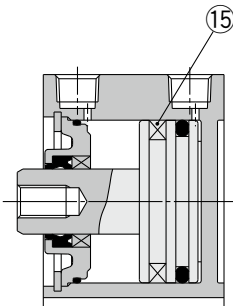
With rubber bumper



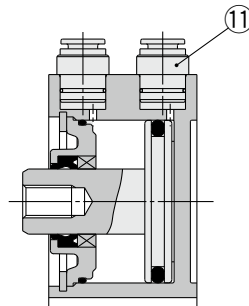
With boss on head end



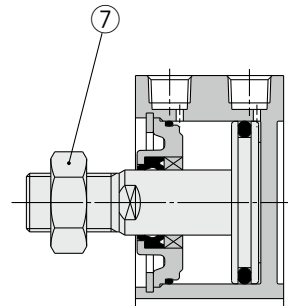
With auto switch magnet



Built-in One-touch fittings



Rod end male thread



Component Parts

No.	Description	Material	Note
1	Cylinder tube	Aluminum alloy	Hard anodized
2	Piston	Aluminum alloy	
3	Piston rod	Stainless steel	ø12 to ø25
		Carbon steel	ø32 to ø100, Hard chrome plating
4	Collar	Aluminum alloy	ø12 to ø40, Anodized
		Aluminum alloy casted	ø50 to ø100, Chromated, Painted
5	Retaining ring	Carbon tool steel	Phosphate coated
6	Bushing	Bearing alloy	For ø50 or more only
7	Rod end nut	Carbon steel	Zinc chromated
8	Bumper A	Urethane	Pneumatic type only

No.	Description	Material	Note
9	Bumper B	Urethane	Pneumatic type only
10	Centering location ring	Aluminum alloy	ø20 to ø100, Hard anodized
11	One-touch fitting	—	ø32 to ø63
12	Piston seal	NBR	
13	Rod seal	NBR	
14	Gasket	NBR	
15	Magnet	—	

Replacement Parts/Seal Kit Pneumatic Type

Bore size [mm]	Kit no.	Contents
12	CQ2B12-PS	Set of nos. 12, 13, 14
16	CQ2B16-PS	
20	CQ2B20-PS	
25	CQ2B25-PS	
32	CQ2B32-PS	
40	CQ2B40-PS	
50	CQ2B50-PS	
63	CQ2B63-PS	
80	CQ2B80-PS	
100	CQ2B100-PS	

* Seal kit includes 12, 13, 14. Order the seal kit based on each bore size.
 * The seal kit does not include a grease pack. Order it separately.
Grease pack part no.: GR-S-010 (10 g)

Air-hydro Type

Bore size [mm]	Kit no.	Contents
20	CQ2BH20-PS	Set of nos. 12, 13, 14
25	CQ2BH25-PS	
32	CQ2BH32-PS	
40	CQ2BH40-PS	
50	CQ2BH50-PS	
63	CQ2BH63-PS	
80	CQ2BH80-PS	
100	CQ2BH100-PS	

* Seal kit includes 12, 13, 14. Order the seal kit based on each bore size.
 * The seal kit does not include a grease pack. Order it separately.
Grease pack part no.: GR-S-010 (10 g)

Compact Cylinder with Stable Lubrication Function (Lube-retainer)

CDQ2 Mounting type Bore size **M** – Stroke **D** Body option **Z** Mounting bolt Rod end thread – Auto switch

• With auto switch magnet
• With stable lubrication function (Lube-retainer)
* Available only for models with an auto switch magnet

Specifications

Bore size [mm]	32, 40, 50, 63, 80, 100
Action	Double acting, Single rod
Min. operating pressure	0.1 MPa
Piston speed	50 to 500 mm/s
Cushion	None

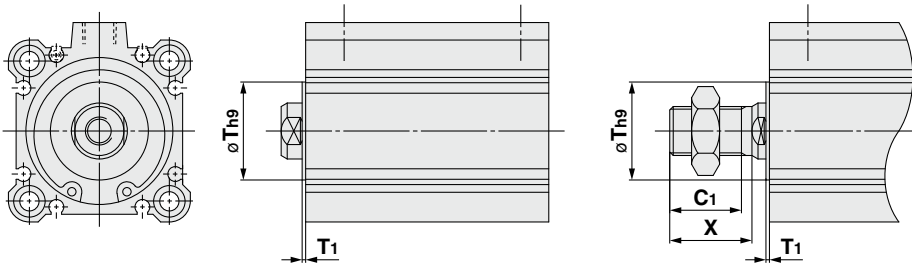
* Specifications other than those shown above are the same as the standard model.



Dimensions (Dimensions other than those shown below are the same as those of the standard model.)

ø32 to ø100

Rod end male thread



Bore size	T	T1	C1	X
32	22	1	20.5	23.5
40	28	1	20.5	23.5
50	35	2	24	26.5
63	35	2	24	26.5
80	—	—	32.5	35.5
100	—	—	32.5	35.5

* The mounting dimensions of the mounting bracket are the same as the standard model.

For details, refer to the **Web Catalog**.

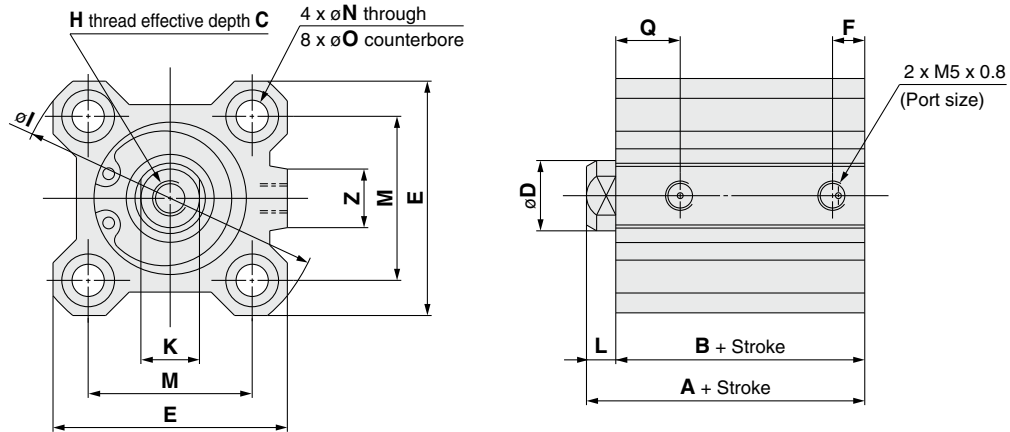
Standard	Double Acting, Single Rod	CQ2
Standard	Double Acting, Double Rod	CQ2W
Standard	Single Acting, Spring Return, Single Rod	CQ2
Standard	Single Acting, Spring Return, Double Rod	CQ2W
Large Bore Size	Double Acting, Single Rod	CQ2
Large Bore Size	Double Acting, Double Rod	CQ2W
Anti-lateral Load	Double Acting, Single Rod	CQ2□S
Anti-lateral Load	Double Acting, Double Rod	CQ2□SW
Long Stroke	Double Acting, Single Rod	CQ2
Long Stroke	Double Acting, Double Rod	CQ2W
Non-rotating Rod	Double Acting, Single Rod	CQ2K
Non-rotating Rod	Double Acting, Double Rod	CQ2KW
Water Resistant	Double Acting, Single Rod	CQ2-RV
Water Resistant	Double Acting, Double Rod	CQ2W-RV
Water Resistant	Single Acting, Single Rod	CQ2
Water Resistant	Single Acting, Double Rod	CQ2W
Axial Piping	Double Acting, Single Rod	CQP2
Axial Piping	Double Acting, Double Rod	CQP2W
Axial Piping	Single Acting, Spring Return, Single Rod	CQP2
Axial Piping	Single Acting, Spring Return, Double Rod	CQP2W
With End Lock	Double Acting, Single Rod	CBQ2
With End Lock	Double Acting, Double Rod	CBQ2W
Auto Switch		Auto Switch
Made to Order		Made to Order

CQ2 Series

Bore Size

Ø12 to Ø25 Without Auto Switch Magnet

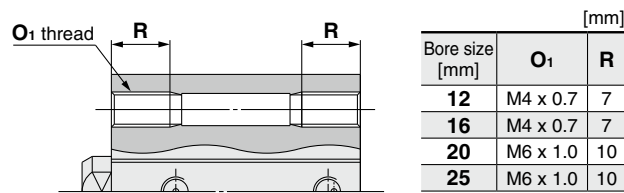
Through-hole: CQ2B



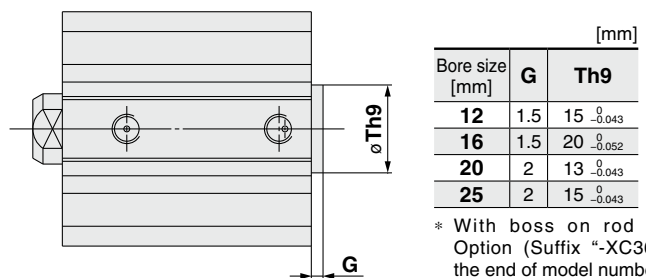
		[mm]															
Bore size [mm]	Stroke range [mm]	A	B	C	D	E	F	H	I	K	L	M	N	O	Q	Z	
12	5 to 30	20.5	17	6	6	25	5	M3 x 0.5	32	5	3.5	15.5	3.5	6.5 depth 3.5	7.5	—	
16	5 to 30	22	18.5	8	8	29	5.5	M4 x 0.7	38	6	3.5	20	3.5	6.5 depth 3.5	8	10	
20	5 to 50	24	19.5	7	10	36	5.5	M5 x 0.8	47	8	4.5	25.5	5.5	9 depth 7	8	10	
25	5 to 50	27.5	22.5	12	12	40	5.5	M6 x 1.0	52	10	5	28	5.5	9 depth 7	9	10	

- * For details on the rod end nut and accessory brackets ⇨ p. 34 to 36
- * The external dimensions with rubber bumper are same as those of the standard, as shown above.
- * For calculation on the longitudinal dimension of intermediate strokes ⇨ p. 18

Both ends tapped

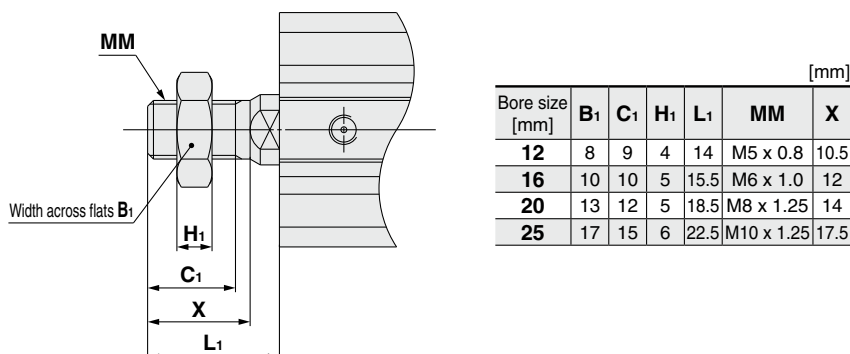


With boss on head end



- * With boss on rod end: Option (Suffix "-XC36" to the end of model number.)

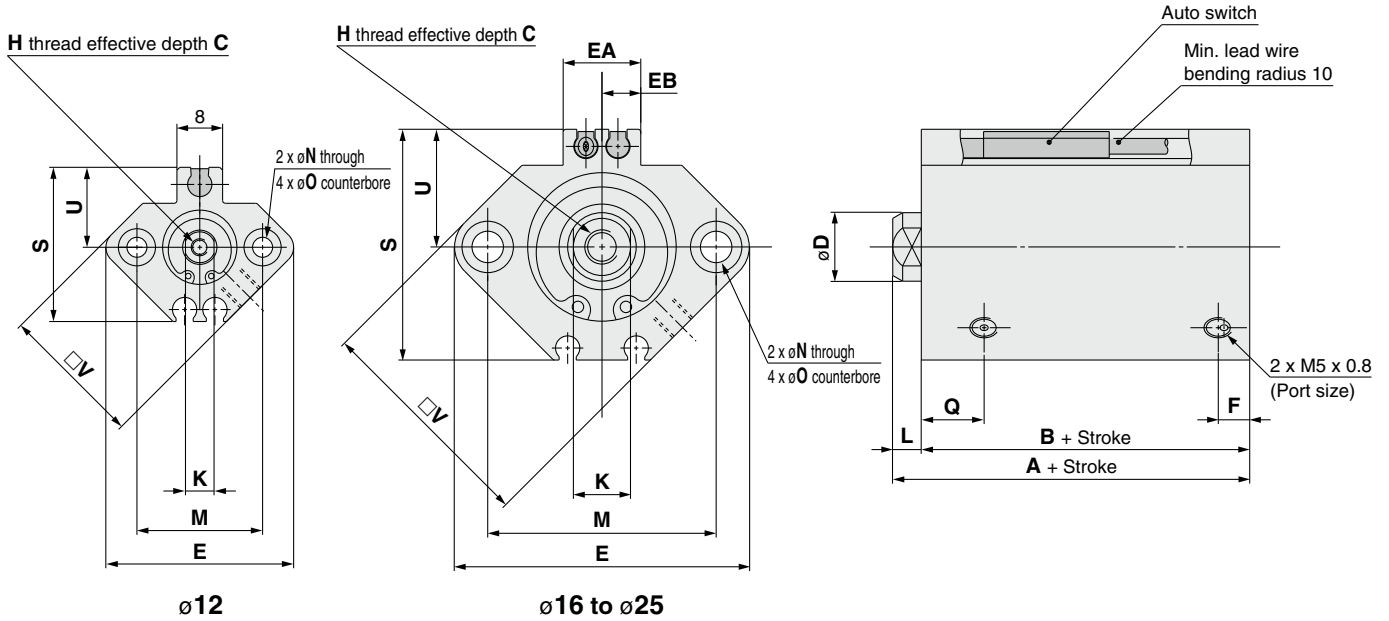
Rod end male thread



Bore Size

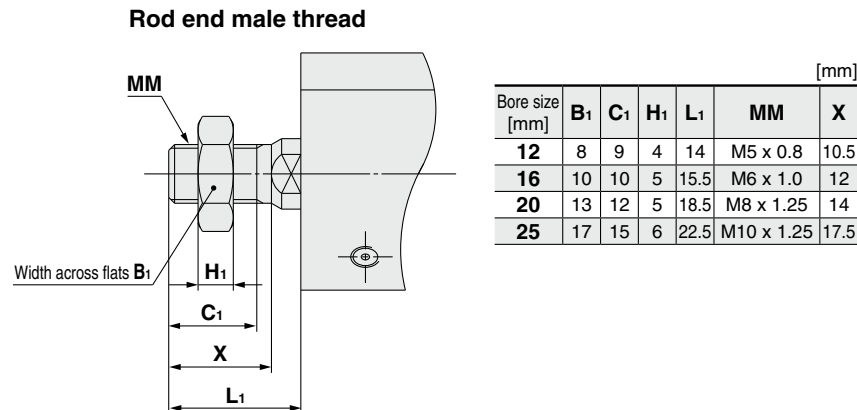
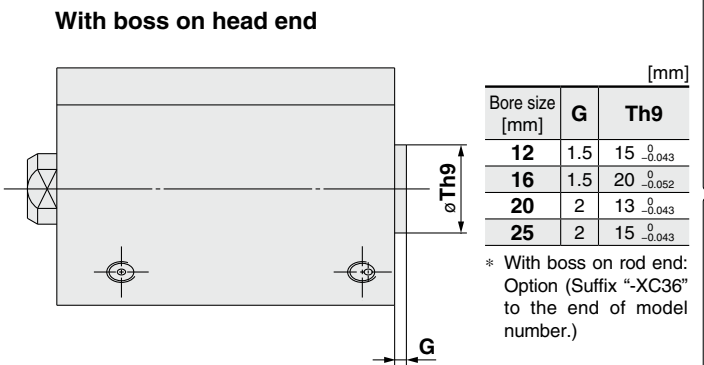
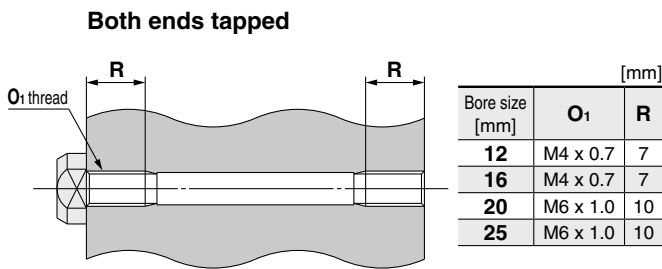
Ø12 to Ø25 With Auto Switch Magnet

Through-hole: CDQ2B



Bore size [mm]	Stroke range [mm]	A	B	C	D	E	EA	EB	F	H	K	L	M	N	O	Q	S	U	V
12	5 to 30	31.5	28	6	6	33	—	—	6.5	M3 x 0.5	5	3.5	22	3.5	6.5 depth 3.5	11	27.5	14	25
16	5 to 30	34	30.5	8	8	37	13.2	6.6	5.5	M4 x 0.7	6	3.5	28	3.5	6.5 depth 3.5	10	29.5	15	29
20	5 to 50	36	31.5	7	10	47	13.6	6.8	5.5	M5 x 0.8	8	4.5	36	5.5	9 depth 7	8	35.5	18	36
25	5 to 50	37.5	32.5	12	12	52	13.6	6.8	5.5	M6 x 1.0	10	5	40	5.5	9 depth 7	9	40.5	21	40

- * For details on the rod end nut and accessory brackets ⇨ p. 34 to 36
- * The external dimensions with rubber bumper are same as those of the standard, as shown above.
- * For calculation on the longitudinal dimension of intermediate strokes ⇨ p. 18
- * For the auto switch proper mounting position and mounting height ⇨ p. 149 to 156



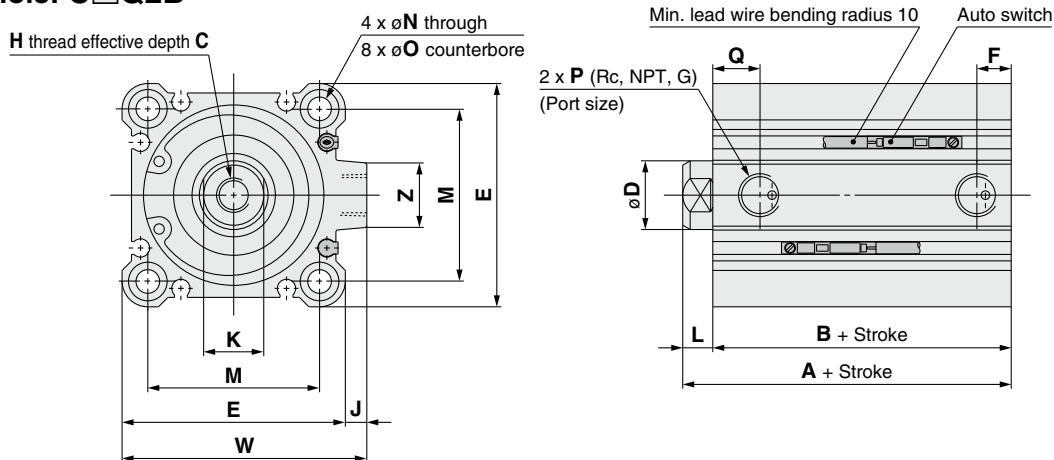
Standard	Double Acting, Single Rod	CQ2
Standard	Double Acting, Double Rod	CQ2W
Standard	Single Acting, Spring Return, End	CQ2
Large Bore Size	Double Acting, Single Rod	CQ2
Large Bore Size	Double Acting, Double Rod	CQ2W
Anti-lateral Load	Double Acting, Single Rod	CQ2□S
Long Stroke	Double Acting, Single Rod	CQ2
Non-rotating Rod	Double Acting, Single Rod	CQ2K
Non-rotating Rod	Double Acting, Double Rod	CQ2KW
Water Resistant	Double Acting, Single Rod	CQ2-R/V
Water Resistant	Double Acting, Double Rod	CQ2W-R/V
Axial Piping	Single Rod	CQP2
Axial Piping	Double Acting, Single Rod	CQP2
Axial Piping	Double Acting, Double Rod	CQP2
With End Lock	Double Acting, Single Rod	CBQ2
Auto Switch		Auto Switch
Made to Order		Made to Order

CQ2 Series

Bore Size

∅32 to ∅50 With/Without Auto Switch Magnet

Through-hole: C□Q2B

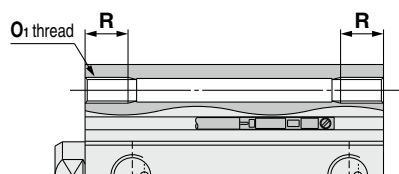


Bore size [mm]	Stroke range [mm]	[mm]																	
		Without auto switch magnet				With auto switch magnet				C	D	E	H	J	K	L	M	N	
32	5	30	23	5.5	M5 x 0.8														
	10 to 50			7.5	1/8	40	33	7.5	1/8	13	16	45	M8 x 1.25	4.5	14	7	34	5.5	
	75, 100	40	33																
40	5 to 50	36.5	29.5	7.5	1/8	46.5	39.5	7.5	1/8	13	16	52	M8 x 1.25	5	14	7	40	5.5	
	75, 100	46.5	39.5																
	10 to 50	38.5	30.5	10.5	1/4	48.5	40.5	10.5	1/4	15	20	64	M10 x 1.5	7	17	8	50	6.6	
75, 100	48.5	40.5																	

Bore size [mm]	O	Q	W	Z
32	9 depth 7	10	49.5	14
40	9 depth 7	12.5	57	15
50	11 depth 8	10.5	71	19

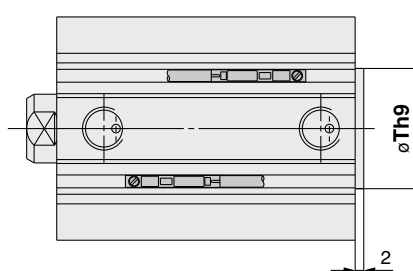
- * For details on the rod end nut and accessory brackets ⇨ p. 34 to 36
- * The external dimensions with rubber bumper are same as those of the standard, as shown above.
- * For calculation on the longitudinal dimension of intermediate strokes ⇨ p. 18
- The spacer-installed type (Standard, -XB10A) and the exclusive body type (-XB10) are available.
- * For the auto switch proper mounting position and mounting height ⇨ p. 149 to 156

Both ends tapped



Bore size [mm]	O ₁	R
32	M6 x 1.0	10
40	M6 x 1.0	10
50	M8 x 1.25	14

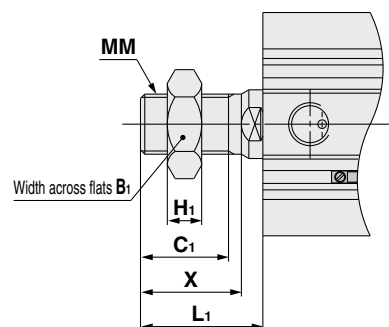
With boss on head end



Bore size [mm]	Th ₉
32	21 ⁰ _{-0.052}
40	28 ⁰ _{-0.052}
50	35 ⁰ _{-0.062}

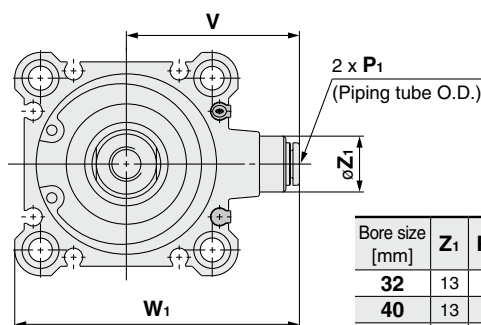
- * With boss on rod end: Option (Suffix "-XC36" to the end of model number.)

Rod end male thread



Bore size [mm]	B ₁	C ₁	H ₁	L ₁	MM	X
32	22	20.5	8	28.5	M14 x 1.5	23.5
40	22	20.5	8	28.5	M14 x 1.5	23.5
50	27	26	11	33.5	M18 x 1.5	28.5

Built-in One-touch fittings



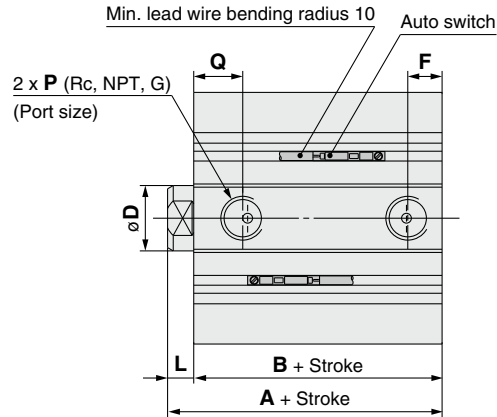
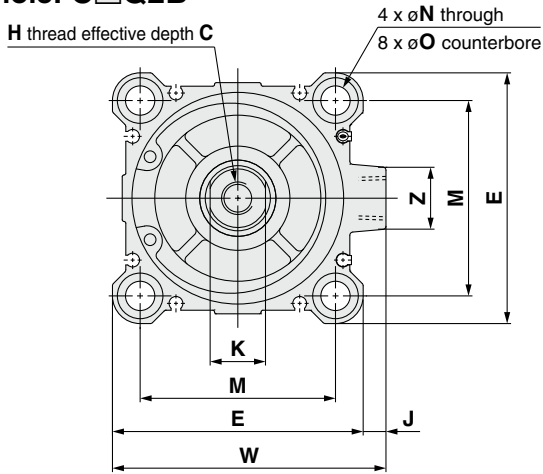
Bore size [mm]	Z ₁	P ₁	V	W ₁
32	13	6	36.5	59
40	13	6	40.5	66
50	16	8	50	82

- * The dimensions of the ∅32-5 mm stroke with built-in One-touch fittings (without magnet) are the same as those of the 10 mm stroke cylinder tube.

Bore Size

ø63 to ø100 With/Without Auto Switch Magnet

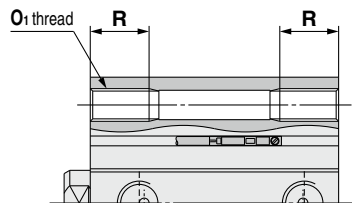
Through-hole: **C□Q2B**



Bore size [mm]	Stroke range [mm]	Without auto switch magnet		With auto switch magnet		C	D	E	F	H	J	K	L	M	N	O	P	Q	W	Z	
		A	B	A	B																
63	10 to 50	44	36	54	46	15	20	77	10.5	M10 x 1.5	7	17	8	60	9	14 depth	10.5	1/4	15	84	19
	75, 100	54	46																		
80	10 to 50	53.5	43.5	63.5	53.5	21	25	98	12.5	M16 x 2.0	6	22	10	77	11	17.5 depth	13.5	3/8	16	104	25
	75, 100	63.5	53.5																		
100	10 to 50	65	53	75	63	27	30	117	13	M20 x 2.5	6.5	27	12	94	11	17.5 depth	13.5	3/8	23	123.5	25
	75, 100	75	63																		

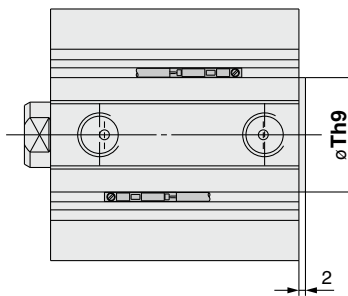
- * For details on the rod end nut and accessory brackets ⇨ p. 34 to 36
- * The external dimensions with rubber bumper are same as those of the standard, as shown above.
- * For calculation on the longitudinal dimension of intermediate strokes ⇨ p. 18
- * For the auto switch proper mounting position and mounting height ⇨ p. 149 to 156

Both ends tapped



Bore size [mm]	O ₁	R
63	M10 x 1.5	18
80	M12 x 1.75	22
100	M12 x 1.75	22

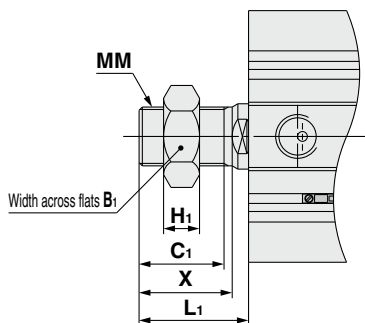
With boss on head end



Bore size [mm]	Th9
63	35 ⁰ _{-0.062}
80	43 ⁰ _{-0.062}
100	59 ⁰ _{-0.074}

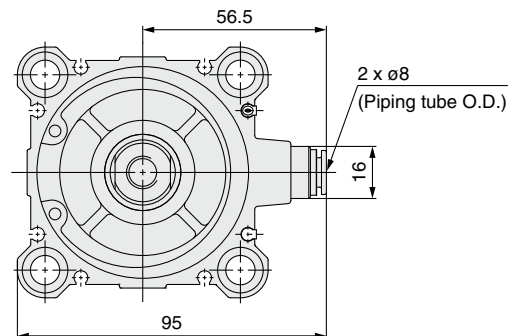
* With boss on rod end: Option (Suffix "XC36" to the end of model number.)

Rod end male thread



Bore size [mm]	B ₁	C ₁	H ₁	L ₁	MM	X
63	27	26	11	33.5	M18 x 1.5	28.5
80	32	32.5	13	43.5	M22 x 1.5	35.5
100	41	32.5	16	43.5	M26 x 1.5	35.5

Built-in One-touch fittings: ø63



Double Acting, Single Rod	CQ2
Standard	CQ2W
Double Acting, Double Rod	CQ2
Single Acting, Spring Return-End	CQ2
Large Bore Size	CQ2W
Double Acting, Double Rod	CQ2
Double Acting, Single Rod	CQ2
Anti-lateral Load	CQ2
Double Acting, Single Rod	CQ2
Long Stroke	CQ2
Double Acting, Single Rod	CQ2
Non-rotating Rod	CQ2KW
Double Acting, Double Rod	CQ2KW
Water Resistant	CQ2-RV
Double Acting, Single Rod	CQ2-RV
Double Acting, Double Rod	CQ2W-RV
Double Acting, Single Rod	CQ2
Axial Piping	CQP2
Single Acting, Spring Return-End	CQP2
With End Lock	CBQ2
Double Acting, Single Rod	CBQ2
Auto Switch	Auto Switch
Made to Order	Made to Order

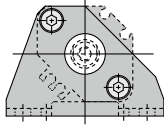
CQ2 Series Accessory Brackets

Mounting Brackets

Foot

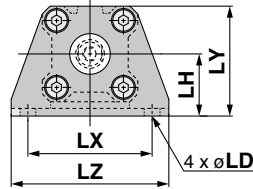
ø12 to ø25 With auto switch magnet

CQ-LZ□□

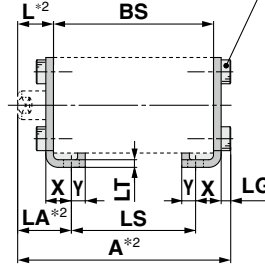


Without auto switch magnet

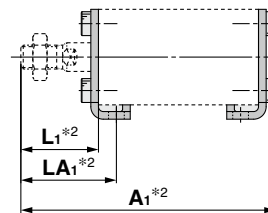
CQ-L0□□



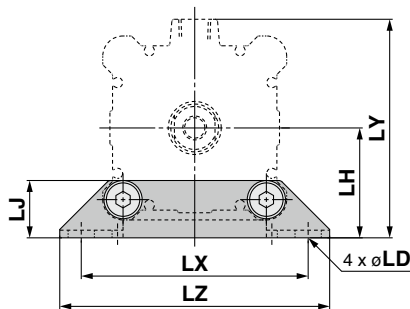
Hexagon socket head cap screw (Accessory)



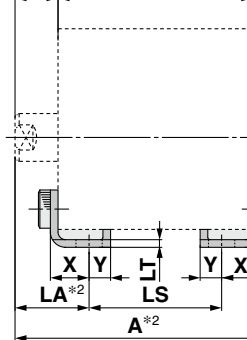
Rod end male thread



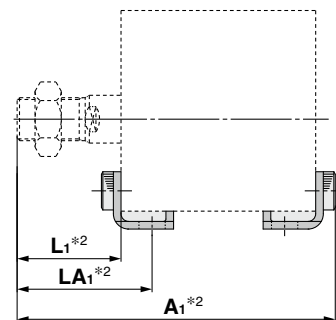
ø32 to ø100



Rod end male thread



Rod end male thread



- *1 The foot bracket cannot be retrofitted for through-hole mounting (B).
- *2 This shows the piston rod in the retracted state. For the single acting, spring extend type (C□Q2□T), the length of the product will increase with the length of the stroke due to the spring force.

* BS indicates the overall length of the cylinder tube to be used.

Material: Carbon steel, Surface treatment: Nickel plating [mm]

Bore size [mm]	Part no.	A	A ₁	L	L ₁	LA	LA ₁	LD	LG	LH	LJ	LS	LT	LX	LY	LZ	X	Y
12	CQ-L012	BS + 18.3	BS + 28.8	13.5	24	19.5	30	4.5	2.8	17	—	BS-12	2	34	29.5	44	8	4.5
	CQ-LZ12																	
16	CQ-L016	BS + 18.3	BS + 30.3	13.5	25.5	19.5	31.5	4.5	2.8	19	—	BS-12	2	38	33.5	48	8	5
	CQ-LZ16																	
20	CQ-L020	BS + 21.7	BS + 35.7	14.5	28.5	20.5	34.5	6.6	4	24	—	BS-12	3.2	48	42	62	9.2	5.8
	CQ-LZ20																	
25	CQ-L025	BS + 22.2	BS + 39.7	15	32.5	22.5	40	6.6	4	26	—	BS-15	3.2	52	46	66	10.7	5.8
	CQ-LZ25																	
32	CQ-L032	BS + 24.2	BS + 45.7	17	38.5	25	46.5	6.6	4	30	18.5	BS-16	3.2	57	57	71	11.2	5.8
40	CQ-L040	BS + 24.2	BS + 45.7	17	38.5	25	46.5	6.6	4	33	18.5	BS-16	3.2	64	64	78	11.2	7
50	CQ-L050	BS + 26.2	BS + 51.7	18	43.5	29.5	55	9	5	39	21	BS-23	3.2	79	78	95	14.7	8
63	CQ-L063	BS + 26.2	BS + 51.7	18	43.5	31	56.5	11	5	46	24	BS-26	3.2	95	91.5	113	16.2	9
80	CQ-L080	BS + 31.5	BS + 65	20	53.5	35	68.5	13	7	59	31	BS-30	4.5	118	114	140	19.5	11
100	CQ-L100	BS + 35	BS + 66.5	22	53.5	39	70.5	13	7	71	36	BS-34	6	137	136	162	23	12.5

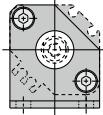
* For details on the rod end nut and accessory brackets ⇨ p. 34 to 36

Mounting Brackets

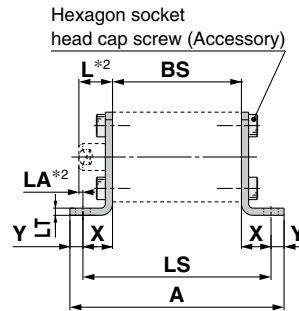
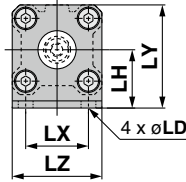
Compact foot

ø12 to ø25

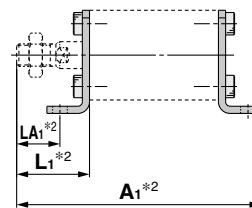
With auto switch magnet
CQ-LCZ□□



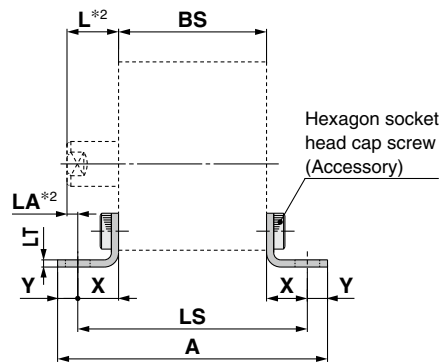
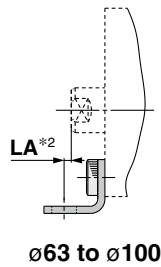
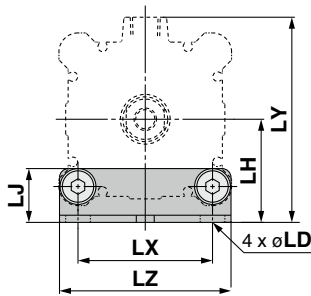
Without auto switch magnet
CQ-LC0□□



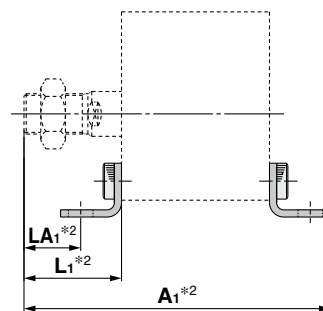
Rod end male thread



ø32 to ø100



Rod end male thread



- *1 The compact foot bracket cannot be retrofitted for through-hole mounting (B).
- *2 This shows the piston rod in the retracted state. For the single acting, spring extend type (C□Q2□T), the length of the product will increase with the length of the stroke due to the spring force.

* BS indicates the overall length of the cylinder tube to be used.

Material: Carbon steel, Surface treatment: Zinc chromated [mm]

Bore size [mm]	Part no.	A	A ₁	L	L ₁	LA	LA ₁	LD	LH	LJ	LS	LT	LX	LY	LZ	X	Y
12	CQ-LC012	BS + 27.6	BS + 37.8	13.5	24	4.2	14.7	4.5	17	—	BS + 18.6	2	15.5	29.5	25	9.3	4.5
	CQ-LCZ12																
16	CQ-LC016	BS + 28.6	BS + 39.8	13.5	25.5	4.2	16.2	4.5	19	—	BS + 18.6	2	20	33.5	29	9.3	5
	CQ-LCZ16																
20	CQ-LC020	BS + 38	BS + 47.5	14.5	28.5	1.3	15.3	6.6	24	—	BS + 26.4	3.2	25.5	42	36	13.2	5.8
	CQ-LCZ20																
25	CQ-LC025	BS + 38	BS + 51.5	15	32.5	1.8	19.3	6.6	26	—	BS + 26.4	3.2	28	46	40	13.2	5.8
	CQ-LCZ25																
32	CQ-LC032	BS + 39	BS + 58	17	38.5	3.3	24.8	6.6	30	18.5	BS + 27.4	3.2	34	57	45	13.7	5.8
40	CQ-LC040	BS + 41.4	BS + 59.2	17	38.5	3.3	24.8	6.6	33	18.5	BS + 27.4	3.2	40	64	52	13.7	7
50	CQ-LC050	BS + 49.4	BS + 68.2	18	43.5	1.3	26.8	9	39	21	BS + 33.4	3.2	50	78	64	16.7	8
63	CQ-LC063	BS + 54.4	BS + 70.7	18	43.5	0.2	25.3	11	46	24	BS + 36.4	3.2	60	91.5	77	18.2	9
80	CQ-LC080	BS + 67	BS + 87	20	53.5	2.5	31	13	59	31	BS + 45	4.5	77	114	98	22.5	11
100	CQ-LC100	BS + 73	BS + 90	22	53.5	2	29.5	13	71	36	BS + 48	6	94	136	117	24	12.5

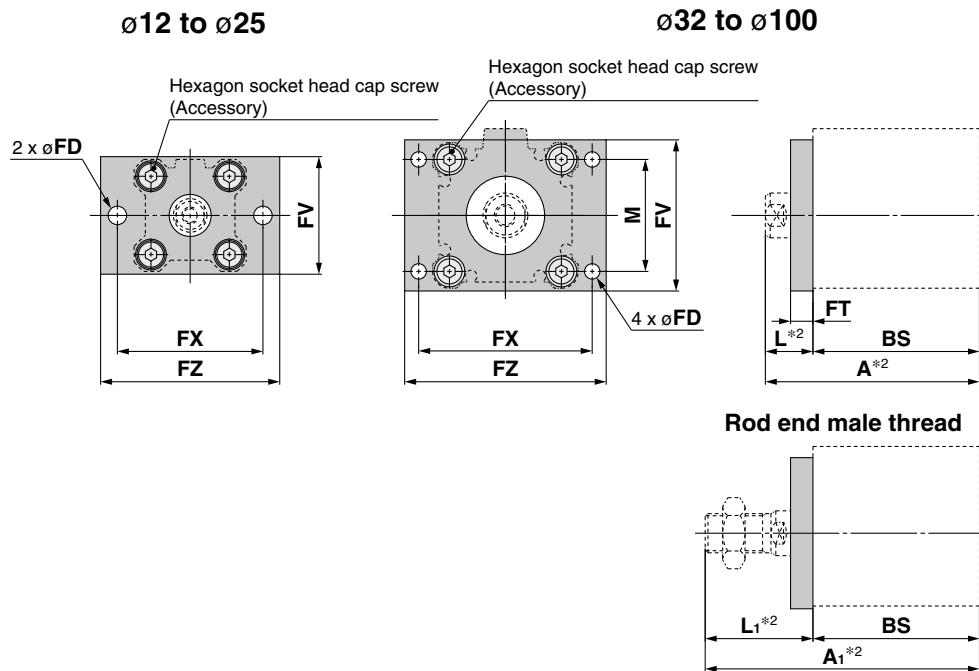
* For details on the rod end nut and accessory brackets ⇨ p. 34 to 36

Standard	Double Acting, Single Rod	CQ2
Standard	Double Acting, Double Rod	CQ2W
Standard	Single Acting, Spring Return, End	CQ2
Large Bore Size	Double Acting, Double Rod	CQ2W
Anti-lateral Load	Double Acting, Single Rod	CQ2□S
Long Stroke	Double Acting, Single Rod	CQ2
Non-rotating Rod	Double Acting, Single Rod	CQ2K
Non-rotating Rod	Double Acting, Double Rod	CQ2KW
Water Resistant	Double Acting, Single Rod	CQ2-R/V
Water Resistant	Double Acting, Double Rod	CQ2W-R/V
Axial Piping	Double Acting, Single Rod	CQP2
Axial Piping	Double Acting, Spring Return, End	CQP2
With End Lock	Double Acting, Single Rod	CBQ2
Auto Switch		
Made to Order		

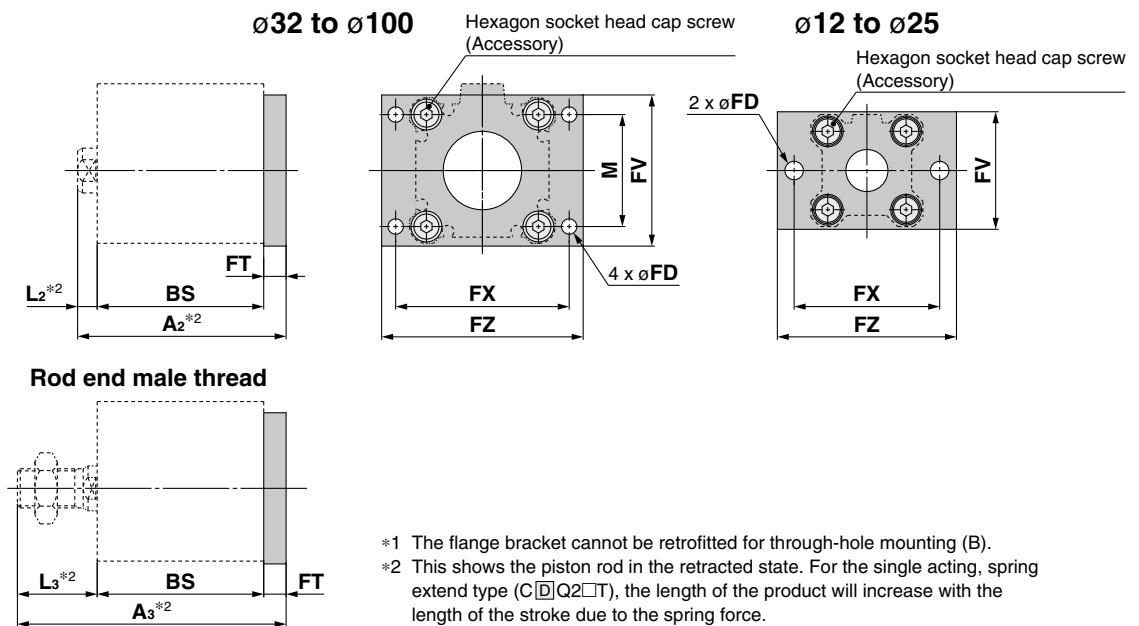
CQ2 Series

Mounting Brackets

Rod flange



Head flange



- *1 The flange bracket cannot be retrofitted for through-hole mounting (B).
- *2 This shows the piston rod in the retracted state. For the single acting, spring extend type (C□Q2□T), the length of the product will increase with the length of the stroke due to the spring force.

* BS indicates the overall length of the cylinder tube to be used.

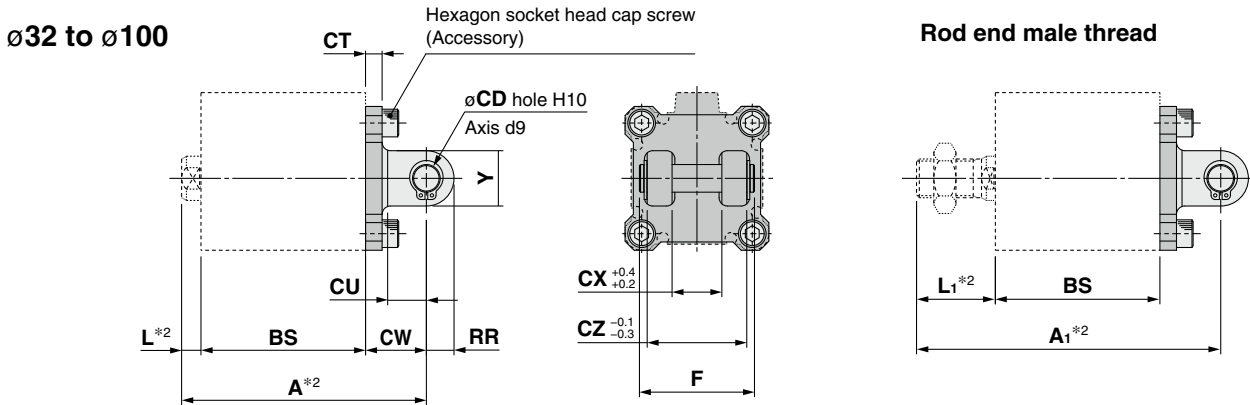
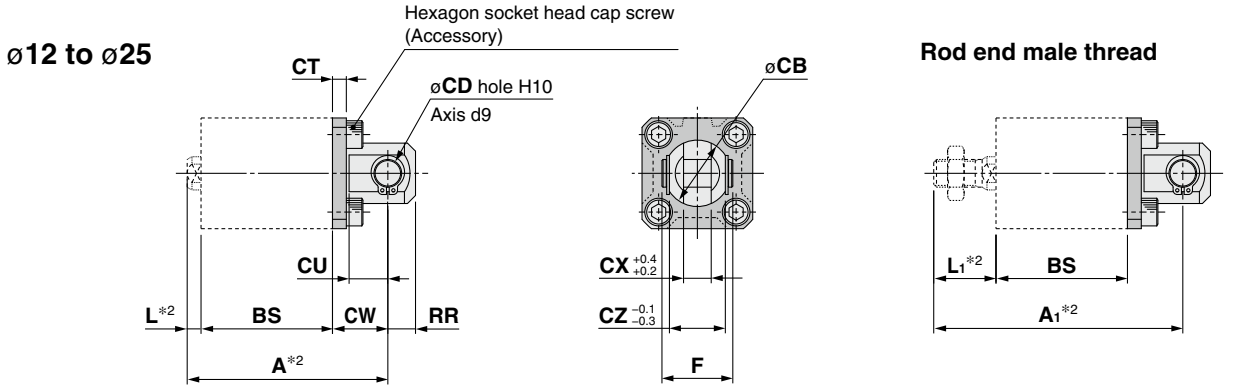
Material: Carbon steel
Surface treatment: Nickel plating
[mm]

Bore size [mm]	Part no.	A	A ₁	A ₂	A ₃	FD	FT	FV	FX	FZ	L	L ₁	L ₂	L ₃	M
12	CQ-F012	BS + 13.5	BS + 24	BS + 9	BS + 19.5	4.5	5.5	25	45	55	13.5	24	3.5	14	—
16	CQ-F016	BS + 13.5	BS + 25.5	BS + 9	BS + 21	4.5	5.5	30	45	55	13.5	25.5	3.5	15.5	—
20	CQ-F020	BS + 14.5	BS + 28.5	BS + 12.5	BS + 26.5	6.6	8	39	48	60	14.5	28.5	4.5	18.5	—
25	CQ-F025	BS + 15	BS + 32.5	BS + 13	BS + 30.5	6.6	8	42	52	64	15	32.5	5	22.5	—
32	CQ-F032	BS + 17	BS + 38.5	BS + 15	BS + 36.5	5.5	8	48	56	65	17	38.5	7	28.5	34
40	CQ-F040	BS + 17	BS + 38.5	BS + 15	BS + 36.5	5.5	8	54	62	72	17	38.5	7	28.5	40
50	CQ-F050	BS + 18	BS + 43.5	BS + 17	BS + 42.5	6.6	9	67	76	89	18	43.5	8	33.5	50
63	CQ-F063	BS + 18	BS + 43.5	BS + 17	BS + 42.5	9	9	80	92	108	18	43.5	8	33.5	60
80	CQ-F080	BS + 20	BS + 53.5	BS + 21	BS + 54.5	11	11	99	116	134	20	53.5	10	43.5	77
100	CQ-F100	BS + 22	BS + 53.5	BS + 23	BS + 54.5	11	11	117	136	154	22	53.5	12	43.5	94

* For details on the rod end nut and accessory brackets ⇨ p. 34 to 36

Mounting Brackets

Double clevis



*1 The double clevis bracket cannot be retrofitted for through-hole mounting (B).

*2 This shows the piston rod in the retracted state. For the single acting, spring extend type (C□Q2□T), the length of the product will increase with the length of the stroke due to the spring force.

* BS indicates the overall length of the cylinder tube to be used.

ø12 to ø25
Material: Carbon steel, Surface treatment: Nickel plating
ø32 to ø100
Material: Cast iron, Surface treatment: Coating

Bore size [mm]	Part no.	A	A ₁	CB	CD	CT	CU	CW	CX	CZ	F	L	L ₁	RR	Y
12	CQ-D012	BS + 17.5	BS + 28	12	5	4	7	14	5	10	14.6	3.5	14	6	—
16	CQ-D016	BS + 18.5	BS + 30.5	14	5	4	10	15	6.5	12	16.6	3.5	15.5	6	—
20	CQ-D020	BS + 22.5	BS + 36.5	20	8	5	12	18	8	16	21	4.5	18.5	9	—
25	CQ-D025	BS + 25	BS + 42.5	24	10	5	14	20	10	20	25.6	5	22.5	10	—
32	CQ-D032	BS + 27	BS + 48.5	—	10	5	14	20	18	36	41.6	7	28.5	10	20
40	CQ-D040	BS + 29	BS + 50.5	—	10	6	14	22	18	36	41.6	7	28.5	10	20
50	CQ-D050	BS + 36	BS + 61.5	—	14	7	20	28	22	44	50.6	8	33.5	14	28
63	CQ-D063	BS + 38	BS + 63.5	—	14	8	20	30	22	44	50.6	8	33.5	14	28
80	CQ-D080	BS + 48	BS + 81.5	—	18	10	27	38	28	56	64	10	43.5	18	36
100	CQ-D100	BS + 57	BS + 88.5	—	22	13	31	45	32	64	72	12	43.5	22	44

* For details on the rod end nut and accessory brackets ⇨ p. 34 to 36

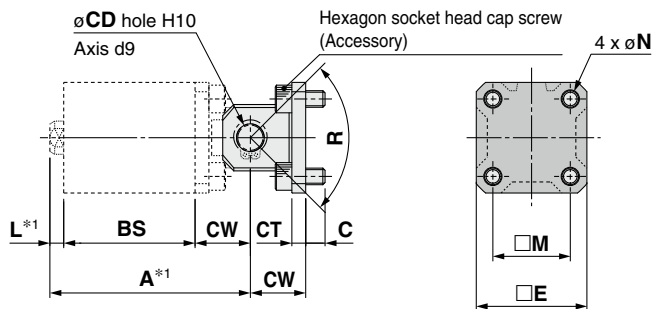
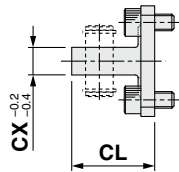
Double Acting, Single Rod	CQ2
Double Acting, Double Rod	CQ2W
Single Acting, Spring Return, Extend	CQ2
Single Acting, Single Rod	CQ2
Double Acting, Double Rod	CQ2W
Anti-lateral Load	CQ2□S
Long Stroke	CQ2
Non-rotating Rod	CQ2KW
Double Acting, Single Rod	CQ2-R/V
Water Resistant	CQ2W-RV
Double Acting, Double Rod	CQ2W-RV
Axial Piping	CQP2
Double Acting, Single Rod	CQP2
Single Acting, Spring Return, Extend	CQP2
With End Lock	CBQ2
Double Acting, Single Rod	CBQ2
Auto Switch	Auto Switch
Made to Order	Made to Order

CQ2 Series

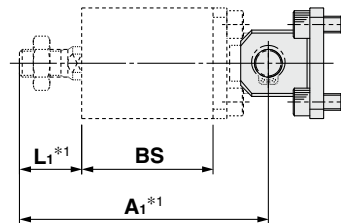
Mounting Brackets

Double clevis pivot bracket

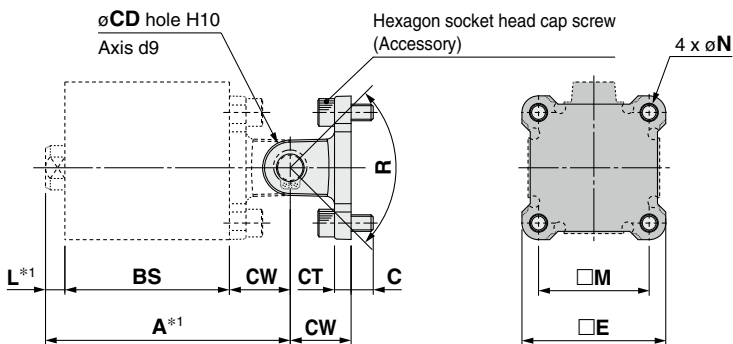
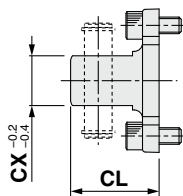
ø12 to ø25



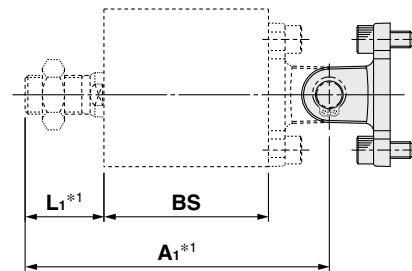
Rod end male thread



ø32 to ø100



Rod end male thread



*1 This shows the piston rod in the retracted state. For the single acting, spring extend type (C□Q2□T), the length of the product will increase with the length of the stroke due to the spring force.

* BS indicates the overall length of the cylinder tube to be used.

ø12 to ø25

Material: Carbon steel, Surface treatment: Nickel plating
ø32 to ø100

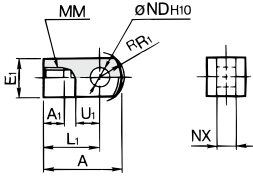
Material: Cast iron, Surface treatment: Coating

Bore size [mm]	Part no.	A	A ₁	C	CD	CL	CT	CW	CX	□E	L	L ₁	□M	N	R	Hexagon socket head cap screw size	Weight [g]
12	CQ-C012	BS + 17.5	BS + 28	6	5	19	4	14	5	25	3.5	14	15.5	4.5	100°	M4 x 10 L	30
16	CQ-C016	BS + 18.5	BS + 30.5	6	5	21	4	15	6.5	28	3.5	15.5	20	4.5	100°	M4 x 10 L	40
20	CQ-C020	BS + 22.5	BS + 36.5	7	8	27	5	18	8	35	4.5	18.5	25.5	6.6	80°	M6 x 12 L	86
25	CQ-C025	BS + 25	BS + 42.5	7	10	30	5	20	10	40	5	22.5	28	6.6	90°	M6 x 12 L	115
32	CQ-C032	BS + 27	BS + 48.5	7	10	30	5	20	18	45	7	28.5	34	6.6	80°	M6 x 12 L	112
40	CQ-C040	BS + 29	BS + 50.5	8	10	32	6	22	18	52	7	28.5	40	6.6	80°	M6 x 14 L	147
50	CQ-C050	BS + 36	BS + 61.5	9	14	42	7	28	22	64	8	33.5	50	9	80°	M8 x 16 L	294
63	CQ-C063	BS + 38	BS + 63.5	12	14	44	8	30	22	77	8	33.5	60	11	60°	M10 x 20 L	448
80	CQ-C080	BS + 48	BS + 81.5	15	18	56	10	38	28	98	10	43.5	77	13.5	70°	M12 x 25 L	884
100	CQ-C100	BS + 57	BS + 88.5	17	22	67	13	45	32	117	12	43.5	94	13.5	70°	M12 x 30 L	1516

* For details on the rod end nut and accessory brackets ⇨ p. 34 to 36

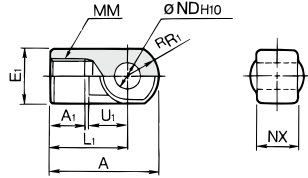
Single Knuckle Joint

I-G012, I-G016
I-G02, I-G03



Material: Carbon steel
Surface treatment: Nickel plating

I-G04, I-G05
I-G08, I-G10

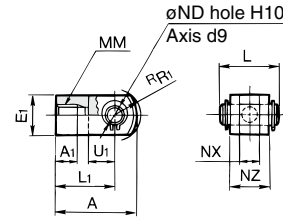


Material: Cast iron
Surface treatment: Zinc chromated

Bore size [mm]	Part no.	A	A ₁	E ₁	L ₁	MM	R ₁	U ₁	ND _{H10}	NX	Weight [g]
12	I-G012	21.5	6	□10	16	M5 x 0.8	6.3	7	5 ^{+0.048} ₀	5 ^{-0.2} _{-0.4}	9
16	I-G016	32	8	□12	25	M6 x 1	8.1	14	5 ^{+0.048} ₀	6.4 ^{-0.1} _{-0.3}	9
20	I-G02	34	8.5	□16	25	M8 x 1.25	10.3	11.5	8 ^{+0.058} ₀	8 ^{-0.2} _{-0.4}	38
25	I-G03	41	10.5	□20	30	M10 x 1.25	12.8	14	10 ^{+0.058} ₀	10 ^{-0.2} _{-0.4}	70
32, 40	I-G04	42	14	∅22	30	M14 x 1.5	12	14	10 ^{+0.058} ₀	18 ^{-0.3} _{-0.5}	75
50, 63	I-G05	56	18	∅28	40	M18 x 1.5	16	20	14 ^{+0.070} ₀	22 ^{-0.3} _{-0.5}	163
80	I-G08	71	21	∅38	50	M22 x 1.5	21	27	18 ^{+0.070} ₀	28 ^{-0.3} _{-0.5}	370
100	I-G10	79	21	∅44	55	M26 x 1.5	24	31	22 ^{+0.084} ₀	32 ^{-0.3} _{-0.5}	544

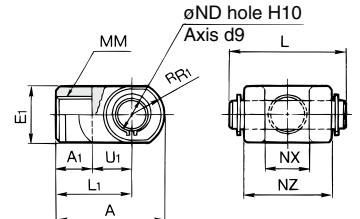
Double Knuckle Joint

Y-G012, Y-G016
Y-G02, Y-G03



Material: Carbon steel
Surface treatment: Nickel plating

Y-G04, Y-G05
Y-G08, Y-G10

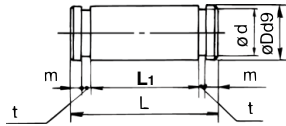


Material: Cast iron
Surface treatment: Zinc chromated

Bore size [mm]	Part no.	A	A ₁	E ₁	L ₁	MM	R ₁	U ₁	ND _{H10}	NX	NZ	L	Applicable pin part no.	Weight [g]
12	Y-G012	21.5	6	□10	16	M5 x 0.8	6.3	7	5 ^{+0.048} ₀	5 ^{-0.4} _{-0.2}	10	14.6	IY-G012	11
16	Y-G016	28	11	□12	21	M6 x 1	8.1	10	5 ^{+0.048} ₀	6.5 ^{-0.2} _{-0.3}	12	16.6	IY-J015	11
20	Y-G02	34	8.5	□16	25	M8 x 1.25	10.3	11.5	8 ^{+0.058} ₀	8 ^{-0.4} _{-0.2}	16	21	IY-G02	45
25	Y-G03	41	10.5	□20	30	M10 x 1.25	12.8	14	10 ^{+0.058} ₀	10 ^{-0.4} _{-0.2}	20	25.6	IY-G03	86
32, 40	Y-G04	42	16	∅22	30	M14 x 1.5	12	14	10 ^{+0.058} ₀	18 ^{-0.5} _{-0.3}	36	41.6	IY-G04	121
50, 63	Y-G05	56	20	∅28	40	M18 x 1.5	16	20	14 ^{+0.070} ₀	22 ^{-0.5} _{-0.3}	44	50.6	IY-G05	253
80	Y-G08	71	23	∅38	50	M22 x 1.5	21	27	18 ^{+0.070} ₀	28 ^{-0.5} _{-0.3}	56	64	IY-G08	568
100	Y-G10	79	24	∅44	55	M26 x 1.5	24	31	22 ^{+0.084} ₀	32 ^{-0.5} _{-0.3}	64	72	IY-G10	838

* Knuckle pin and retaining rings are included.

Knuckle Pin (Common with double clevis pin)

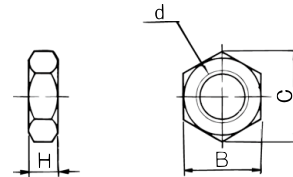


Material: Carbon steel
(Other than ∅16)
Stainless steel (∅16)

Bore size [mm]	Part no.	Dd9	L	d	L ₁	m	t	Applicable retaining ring	Weight [g]
12	IY-G012	5 ^{-0.030} _{-0.060}	14.6	4.8	10.2	1.5	0.7	Type C5 for axis	2
16	IY-J015	5 ^{-0.030} _{-0.060}	16.6	4.8	12.2	1.5	0.7	Type C5 for axis	3
20	IY-G02	8 ^{-0.040} _{-0.076}	21	7.6	16.2	1.5	0.9	Type C8 for axis	8
25	IY-G03	10 ^{-0.040} _{-0.076}	25.6	9.6	20.2	1.55	1.15	Type C10 for axis	16
32, 40	IY-G04	10 ^{-0.040} _{-0.076}	41.6	9.6	36.2	1.55	1.15	Type C10 for axis	25
50, 63	IY-G05	14 ^{-0.050} _{-0.093}	50.6	13.4	44.2	2.05	1.15	Type C14 for axis	60
80	IY-G08	18 ^{-0.050} _{-0.093}	64	17	56.2	2.55	1.35	Type C18 for axis	126
100	IY-G10	22 ^{-0.065} _{-0.117}	72	21	64.2	2.55	1.35	Type C22 for axis	212

* Type C retaining rings for axis are included.

Rod End Nut



Material: Carbon steel
Surface treatment: Zinc chromated (∅12 to ∅100)
Nickel plating (∅125 to ∅200)

Bore size [mm]	Part no.	d	H	B	C	Weight [g]
12	NTJ-015C	M5 x 0.8	4	8	9.2	1
16	NT-015A	M6 x 1	5	10	11.5	2
20	NT-02	M8 x 1.25	5	13	15.0	4
25	NT-03	M10 x 1.25	6	17	19.6	8
32, 40	NT-04	M14 x 1.5	8	22	25.4	17
50, 63	NT-05	M18 x 1.5	11	27	31.2	32
80	NT-08	M22 x 1.5	13	32	37.0	49
100	NT-10	M26 x 1.5	16	41	47.3	116
125, 140	NT-12	M30 x 1.5	18	46	53.1	160
160, 180, 200	NT-16	M36 x 1.5	21	55	63.5	230

Rod End Bracket, Rod End Nut Material: Stainless Steel

Part Nos. (Dimensions: Same as the standard type)

Bore size [mm]	Single knuckle joint	Double knuckle joint*1	Knuckle joint pin	Rod end nut
20	I-G02SUS	Y-G02SUS	IY-G02SUS	NT-02SUS
25	I-G03SUS	Y-G03SUS	IY-G03SUS	NT-03SUS
32, 40	I-G04SUS	Y-G04SUS	IY-G04SUS	NT-G04SUS
50, 63	I-G05SUS	Y-G05SUS	IY-G05SUS	NT-05SUS
80	I-G08SUS	Y-G08SUS	IY-G08SUS	NT-08SUS
100	I-G10SUS	Y-G10SUS	IY-G10SUS	NT-10SUS

*1 A knuckle pin and retaining rings are included with the double knuckle joint. Retaining rings are included with the knuckle joint pin.

CQ2 Series

Simple Joint (CQ2): $\phi 12$ to $\phi 100$

Joint/Mounting Bracket (Type A/B) Part Nos.

Bore size [mm]	Joint	Type A mounting bracket	Type B mounting bracket
12	YU-012	YA-012	YB-012
16	YU-016	YA-016	YB-016
20	YU-020	YA-020	YB-020
25	YU-025	YA-025	YB-025
32, 40	YU-03	YA-03	YB-03
50, 63	YU-05	YA-05	YB-05
80	YU-08	YA-08	YB-08
100	YU-10	YA-10	YB-10

<Ordering>

Joints are not included with type A or B mounting brackets.

Order them separately.

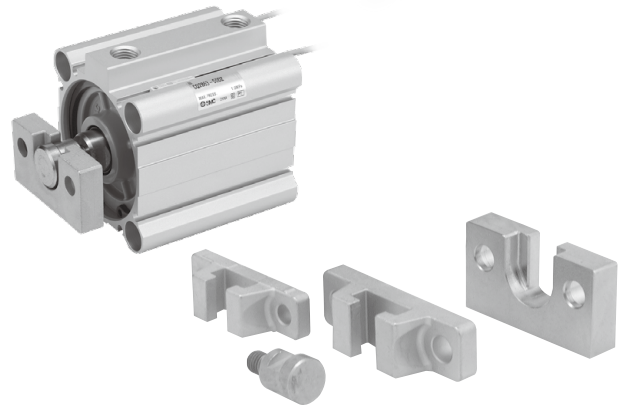
(Example)

Bore size $\phi 40$

Part no.

• Type A mounting bracketYA-03

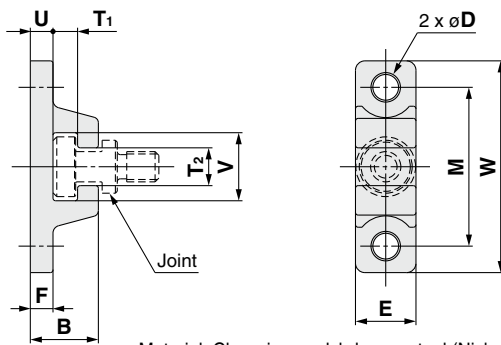
• Joint.....YU-03



Allowable Eccentricity

Bore size [mm]	12	16	20	25	32	40	50	63	80	100
Eccentricity tolerance	± 0.5				± 1			± 1.5	± 2	
Axial direction backlash	0.5									

Type A Mounting Bracket

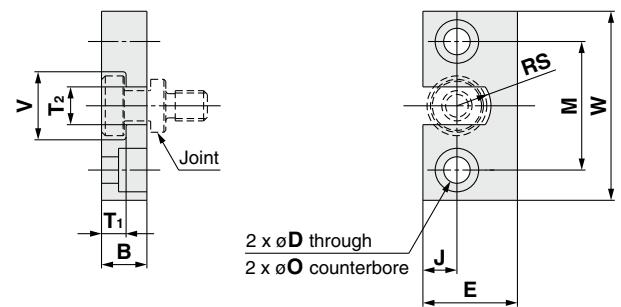


Material: Chromium molybdenum steel (Nickel plating)
[mm]

Bore size [mm]	Part no.	B	D	E	F	M	T ₁	T ₂
12	YA-012	8	3.5	10	3	20	2.5	4
16	YA-016	8	3.5	10	3	24	2.5	5
20	YA-020	12	4.5	13	5	30	3.5	6
25	YA-025	12.5	5.5	15	5	33	3.5	7
32, 40	YA-03	18	6.8	16	6	42	6.5	10
50, 63	YA-05	20	9	20	8	50	6.5	12
80	YA-08	26	11	25	10	62	8.5	16
100	YA-10	31	14	30	12	76	10.5	18

Bore size [mm]	Part no.	U	V	W	Weight [g]
12	YA-012	3	8.5	30	9
16	YA-016	3	11	34	11
20	YA-020	5	13.5	42	27
25	YA-025	5	16.5	45	34
32, 40	YA-03	6	18	56	55
50, 63	YA-05	8	22	67	100
80	YA-08	10	28	83	195
100	YA-10	12	36	100	340

Type B Mounting Bracket



Material: Stainless steel
[mm]

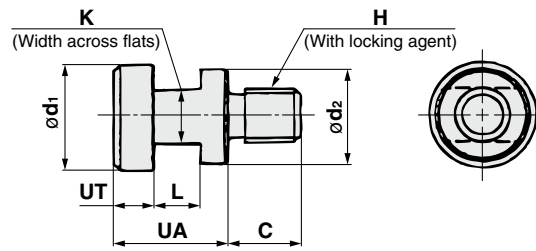
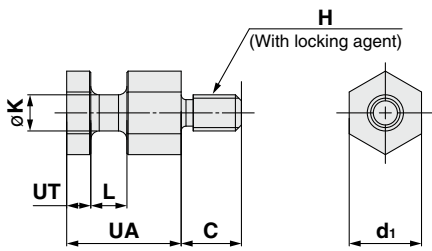
Bore size [mm]	Part no.	B	D	E	J	M	O
12	YB-012	5	3.5	14	5	17	—
16	YB-016	5	3.5	16	6	20	—
20	YB-020	7	4.5	18	7	25.5	—
25	YB-025	7.5	5.5	20	8	28	—
32, 40	YB-03	12	7	25	9	34	11.5 depth 7.5
50, 63	YB-05	12	9	32	11	42	14.5 depth 8.5
80	YB-08	16	11	38	13	52	18 depth 12
100	YB-10	19	14	50	17	62	21 depth 14

Bore size [mm]	Part no.	T ₁	T ₂	V	W	RS	Weight [g]
12	YB-012	2.5	4	8.6	25	2	11
16	YB-016	2.5	5	11	29	2.5	15
20	YB-020	3.5	6	13.6	36	3	28
25	YB-025	3.5	7	16.6	40	3.5	36
32, 40	YB-03	6.5	10	18	50	9	80
50, 63	YB-05	6.5	12	22	60	11	120
80	YB-08	8.5	16	28	75	14	230
100	YB-10	10.5	18	36	90	18	455

Joint

YU-012, YU-016
YU-020, YU-025

YU-03, YU-05
YU-08, YU-10



Material: Chromium molybdenum steel (Nickel plating)
[mm]

Bore size [mm]	Part no.	UA	C	d ₁	d ₂	H	K	L	UT	Weight [g]
12	YU-012	9.5	5	6	—	M3 x 0.5	3	3	2	2
16	YU-016	9.5	7	8	—	M4 x 0.7	4	3	2	4
20	YU-020	11.5	6	10	—	M5 x 0.8	5	4	3	7
25	YU-025	12	11	12	—	M6 x 1.0	6	4.5	3	11
32, 40	YU-03	17	11	15.8	14	M8 x 1.25	8	7	6	25
50, 63	YU-05	17	13	19.8	18	M10 x 1.5	10	7	6	40
80	YU-08	22	20	24.8	23	M16 x 2	13	9	8	90
100	YU-10	26	26	29.8	28	M20 x 2.5	14	11	10	160

Double Acting, Single Rod	CQ2
Double Acting, Double Rod	CQ2W
Single Acting, Spring Return, Double Rod	CQ2
Standard	CQ2W
Double Acting, Single Rod	CQ2
Double Acting, Double Rod	CQ2W
Large Bore Size	CQ2W
Double Acting, Single Rod	CQ2
Double Acting, Double Rod	CQ2W
Anti-lateral Load	CQ2 <input type="checkbox"/> S
Double Acting, Single Rod	CQ2
Double Acting, Double Rod	CQ2W
Long Stroke	CQ2
Double Acting, Single Rod	CQ2K
Double Acting, Double Rod	CQ2KW
Non-rotating Rod	CQ2K
Double Acting, Single Rod	CQ2-R/V
Double Acting, Double Rod	CQ2W-R/V
Water Resistant	CQ2-R/V
Double Acting, Single Rod	CQ2
Double Acting, Double Rod	CQ2W
Axial Piping	CQP2
Single Acting, Spring Return, Single Rod	CQP2
With End Lock	CBQ2
Double Acting, Single Rod	CBQ2
Auto Switch	Auto Switch
Made to Order	Made to Order

Compact Cylinder: Standard Double Acting, Double Rod

CQ2W Series

ø12, ø16, ø20, ø25, ø32, ø40, ø50, ø63, ø80, ø100

How to Order

Without auto switch
ø12 to ø25

CQ2W B □ 20 □ - 30 D □ - □

Without auto switch
ø32 to ø100

CQ2W B □ 32 □ - 30 D □ Z - □

With auto switch

CDQ2W B □ 32 □ - 30 D M Z - M9BW □ - □

① ② ③ ④ ⑤ ⑥ ⑦ ⑧ ⑨ ⑩ ⑪

With auto switch magnet

The overall length of the cylinder with an auto switch magnet is longer than that of the cylinder without an auto switch magnet by the length of the built-in magnet. For details, refer to the dimensions of each size.

① Mounting

B	Through-hole
A	Both ends tapped
L	Foot
LC	Compact foot
F	Flange

- * Mounting brackets are shipped together with the product but do not come assembled.
- * A through-hole type mounting bolt is available as an option. For details ⇨ p. 42
- * For cylinders with mounting options "L," "LC," or "F," the cylinder rod protrusion dimensions (Dimensions L and L₁) vary from the standard cylinder. When only ordering the cylinder, order the rod end length increased by 10 mm (-XC2) cylinder. For details ⇨ p. 178

② Type

Nil	Pneumatic
H	Air-hydro* ¹

*¹ The bore sizes available for the air-hydro type are ø20 to ø100.

③ Bore size

12	12 mm
16	16 mm
20	20 mm
25	25 mm
32	32 mm
40	40 mm
50	50 mm
63	63 mm
80	80 mm
100	100 mm

④ Port thread type

Nil	M thread	ø12 to ø25
	Rc	
TN	NPT	ø32 to ø100
TF	G	
F	Built-in One-touch fittings* ¹	

- *¹ The bore sizes available with One-touch fittings are ø32 to ø63. However, they cannot be selected for the air-hydro type.
- * "TF" is not selectable for the air-hydro type.
- * For cylinders without an auto switch magnet, M threads are compatible only with ø32-5 mm stroke.

⑤ Cylinder stroke (For details on the minimum stroke for auto switch mounting ⇨ p. 157)

Bore size	Standard stroke [mm]
12, 16	5, 10, 15, 20, 25, 30
20, 25	5, 10, 15, 20, 25, 30, 35, 40, 45, 50
32, 40	5, 10, 15, 20, 25, 30, 35, 40, 45, 50, 75, 100
50, 63, 80, 100	10, 15, 20, 25, 30, 35, 40, 45, 50, 75, 100

- * For the manufacturing of intermediate strokes ⇨ p. 39
- * The bore sizes available for the air-hydro type are ø20 to ø100.

⑦ Body option

Nil	Rod end female thread
C	With rubber bumper* ¹
M	Rod end male thread

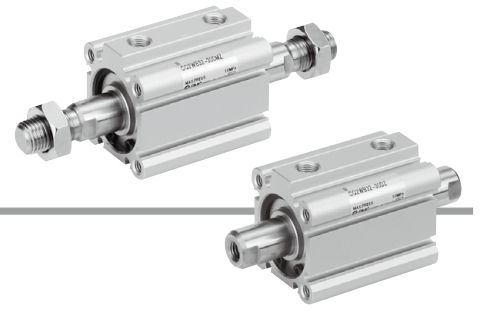
- *¹ The type with a rubber bumper is not selectable for the air-hydro type.
- * Combined body options "CM" can be selected.

⑥ Action

D	Double acting
----------	---------------

⑧ Auto switch mounting groove

Z	ø12 to ø25	2 surfaces
	ø32 to ø100	4 surfaces



9 Auto switch

Nil	Without auto switch
-----	---------------------

* For applicable auto switches, refer to the table below.

10 Number of auto switches

Nil	2
S	1
n	n

11 Made to order common specifications

For details ⇨ p. 39

Cylinder Model with Auto Switch Magnet

If a cylinder with an auto switch magnet and without an auto switch is required, there is no need to enter the symbol for the auto switch.
(Example) CDQ2WL32-25DZ

For details on **auto switch mounting** ⇨ p. 149 to 165

- Auto Switch Proper Mounting Position (Detection at stroke end) and Mounting Height
- Minimum Stroke for Auto Switch Mounting
- Operating Range
- Auto Switch Mounting Brackets/Part Nos.

Applicable Auto Switches / Refer to the **Web Catalog** for further information on auto switches.

Type	Special function	Electrical entry	Indicator light	Wiring (Output)	Load voltage		Auto switch model		Lead wire length [m]					Pre-wired connector	Applicable load		
					DC	AC	Perpendicular	In-line	0.5 (Nil)	1 (M)	3 (L)	5 (Z)	None (N)				
Solid state auto switch	Diagnostic indication (2-color indicator)	Grommet	Yes	3-wire (NPN)	24 V	5 V, 12 V	—	M9NV	M9N	●	●	●	○	—	○	IC circuit	
				3-wire (PNP)				M9PV	M9P	●	●	●	○	—	○		
				2-wire				M9BV	M9B	●	●	●	○	—	○		—
				3-wire (NPN)				M9NVV	M9NV	●	●	●	○	—	○		IC circuit
				3-wire (PNP)				M9PVV	M9PV	●	●	●	○	—	○		
				2-wire				M9BWW	M9BW	●	●	●	○	—	○		—
	Water resistant (2-color indicator)	Grommet	Yes	3-wire (NPN)	24 V	5 V, 12 V	—	M9NAV*1	M9NA*1	○	○	●	○	—	○	IC circuit	
				3-wire (PNP)				M9PAV*1	M9PA*1	○	○	●	○	—	○		
				2-wire				M9BAV*1	M9BA*1	○	○	●	○	—	○		—
				2-wire (Non-polar)				—	P3DWA	●	—	●	●	—	○		—
Reed auto switch	—	Grommet	Yes	3-wire (NPN equivalent)	24 V	5 V, 12 V	100 V or less	A96V	A96	●	●	●	●	—	○	IC circuit	
				2-wire				A93V	A93	●	●	●	●	—	○*2	—	Relay, PLC
				2-wire				A90V	A90	●	●	●	●	—	○*2	IC circuit	

*1 Water-resistant type auto switches can be mounted on the models on page 37, but SMC cannot guarantee water resistance. Please contact SMC regarding water-resistant types with the model numbers on page 37.

*2 The load voltage used is 24 VDC.

* Lead wire length symbols: 0.5 m Nil (Example) M9NW
 1 m M (Example) M9NWM
 3 m L (Example) M9NWL
 5 m Z (Example) M9NWZ

* Auto switches marked with a "○" are produced upon receipt of order.
 * The D-P3DWA□ type is only available in sizes ø25 to ø100.

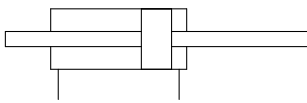
* There are applicable auto switches other than those listed above. For details ⇨ p. 165

Standard	Double Acting, Single Rod	CQ2
Standard	Double Acting, Double Rod	CQ2W
Standard	Single Acting, Spring Return, End	CQ2
Large Bore Size	Double Acting, Double Rod	CQ2W
Large Bore Size	Double Acting, Single Rod	CQ2
Anti-lateral Load	Double Acting, Single Rod	CQ2□S
Long Stroke	Double Acting, Single Rod	CQ2
Non-rotating Rod	Double Acting, Single Rod	CQ2K
Non-rotating Rod	Double Acting, Double Rod	CQ2KW
Water Resistant	Double Acting, Single Rod	CQ2-R/V
Water Resistant	Double Acting, Double Rod	CQ2W-R/V
Axial Piping	Double Acting, Single Rod	CQP2
Axial Piping	Single Acting, Spring Return, End	CQP2
With End Lock	Double Acting, Single Rod	CBQ2
Auto Switch		
Made to Order		

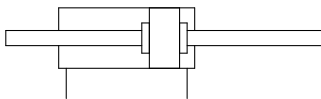
CQ2W Series

Symbol

Without cushion



Rubber bumper



Made to Order Common Specifications (For details ⇨ p. 167 to 196)

Symbol	Specifications
-XA□	Change of rod end shape
-XB6	Heat-resistant cylinder (-10 to 150°C) w/o auto switch only*1
-XB7	Cold-resistant cylinder (-40 to 70°C) w/o auto switch only
-XB9	Low-speed cylinder (10 to 50 mm/s)
-XB10	Intermediate stroke (Exclusive body type)
-XB13	Low-speed cylinder (5 to 50 mm/s)
-XC2(A)	Rod end length increased by 10 mm (For foot and flange bracket)
-XC4	With heavy duty scraper
-XC6	Piston rod/Retaining ring/Rod end nut material: Stainless steel
-XC35	With coil scraper
-XC36	With boss on rod end
-XC85	Grease for food processing equipment
-X144	Special port location, with auto switch
-X235	Special rod end for double rod cylinder
-X271	Fluororubber seals*1
-X633	Intermediate stroke for double rod cylinder

*1 Excludes the air-hydro type

* Stainless steel accessories are also available.
For details ⇨ p. 34

Moisture Control Tube IDK Series



When operating an actuator with a small bore size and a short stroke at a high frequency, dew condensation (water droplets) may occur inside the piping depending on the conditions. Simply connecting the moisture control tube to the actuator will prevent dew condensation from occurring. For details, refer to the **Web Catalog**.

Specifications

Pneumatic type

Bore size [mm]	12	16	20	25	32	40	50	63	80	100	
Action	Double acting, Double rod										
Fluid	Air										
Proof pressure	1.5 MPa										
Maximum operating pressure	1.0 MPa										
Minimum operating pressure	0.07 MPa		0.05 MPa								
Ambient and fluid temperatures	Without auto switch magnet: -10 to 70°C With auto switch magnet: -10 to 60°C (No freezing)										
Lubrication	Not required (Non-lube)										
Piston speed	50 to 500 mm/s										
Cushion	Without cushion or With rubber bumper										
Allowable kinetic energy [J]	Without cushion	0.022	0.038	0.055	0.09	0.15	0.26	0.46	0.77	1.36	2.27
	With rubber bumper	0.043	0.075	0.11	0.18	0.29	0.52	0.91	1.54	2.71	4.54
Stroke length tolerance	+1.0 mm ⁻¹ 0										

*1 Stroke length tolerance does not include the amount of bumper change.

Air-hydro type

Bore size [mm]*1	20	25	32	40	50	63	80	100
Action	Double acting, Double rod							
Fluid	Turbine oil*1							
Proof pressure	1.5 MPa							
Maximum operating pressure	1.0 MPa							
Minimum operating pressure	0.18 MPa		0.1 MPa					
Ambient and fluid temperatures	5 to 60°C							
Piston speed	5 to 50 mm/s							
Cushion	None							
Stroke length tolerance	+1.0 mm 0							

*1 Actuator Precautions 5 ⇨ Refer to the **Web Catalog**.

Manufacturing of Intermediate Strokes

Type	A spacer is installed in the standard stroke body. (5 mm increments)	A spacer is installed in the standard stroke body. (1 mm increments)	Exclusive body (-XB10)			
Part no.	Refer to "How to Order" for the standard model number. (⇨ p. 37)	Suffix "-X633" (p. 194) to the end of standard model number. (⇨ p. 37)	Suffix "-XB10" to the end of standard model number. (⇨ p. 37)			
Description	Strokes in 5 mm increments are available by installing a spacer in the standard stroke cylinder.	Strokes in 1 mm increments are available by installing a spacer in the standard stroke cylinder.	Strokes in 1 mm increments are available by using an exclusive body with the specified stroke.			
Stroke range	Bore size	Stroke range	Bore size	Stroke range	Bore size	Stroke range
	—	—	12, 16	6 to 29	12, 16	6 to 29
			20, 25	6 to 49	20, 25	6 to 49
	32 to 100	55 to 95	32, 40	6 to 99	32, 40	6 to 99
			50 to 100	11 to 99	50 to 100	11 to 99
Example	Part no.: CQ2WB50-65DZ CQ2WB50-75DZ with 10 mm width spacer inside The B dimension is 125.5 mm.	Part no.: CQ2WB50-72DZ-X633 CQ2WB50-75DZ with 3 mm width spacer inside The B dimension is 125.5 mm.	Part no.: CQ2WB50-65DZ-XB10 Makes 65 mm stroke tube. The B dimension is 115.5 mm.			

- Excludes the air-hydro type
- In the case of spacer type, intermediate strokes with bumper for ø40 to ø100, "-X633" is not available.
- In the case of exclusive body type with ø32 to ø100 (-XB10) with the stroke length exceeding 50 mm, reference values of the longitudinal dimension will be changed. Calculate length dimensions by deducting from those of 75 or 100 mm stroke models.

⚠ Precautions

Refer to pages 197 and 198 before handling the products.

Mounting Bracket Part Nos.

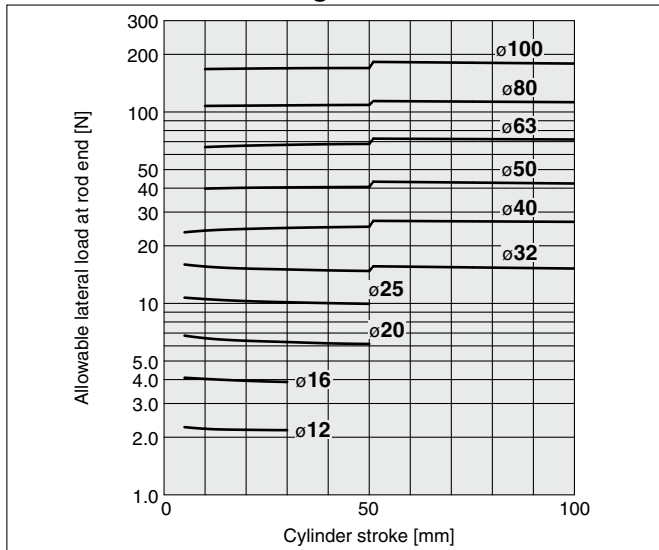
Bore size [mm]		Foot*1	Compact foot*1	Flange
12	Without auto switch magnet	CQ-L012	CQ-LC012	CQ-F012
	With auto switch magnet	CQ-LZ12	CQ-LCZ12	
16	Without auto switch magnet	CQ-L016	CQ-LC016	CQ-F016
	With auto switch magnet	CQ-LZ16	CQ-LCZ16	
20	Without auto switch magnet	CQ-L020	CQ-LC020	CQ-F020
	With auto switch magnet	CQ-LZ20	CQ-LCZ20	
25	Without auto switch magnet	CQ-L025	CQ-LC025	CQ-F025
	With auto switch magnet	CQ-LZ25	CQ-LCZ25	
32		CQ-L032	CQ-LC032	CQ-F032
40		CQ-L040	CQ-LC040	CQ-F040
50		CQ-L050	CQ-LC050	CQ-F050
63		CQ-L063	CQ-LC063	CQ-F063
80		CQ-L080	CQ-LC080	CQ-F080
100		CQ-L100	CQ-LC100	CQ-F100

*1 When ordering foot and compact foot brackets, the required quantity will be different depending on the bore size.
 ø12 to ø25:
 · Without auto switch magnet: Order 2 pieces per cylinder.
 · With auto switch magnet: Order 1 piece per cylinder. (Part number for a set of 2 foot brackets)
 ø32 to ø100:
 · Order 2 pieces per cylinder.

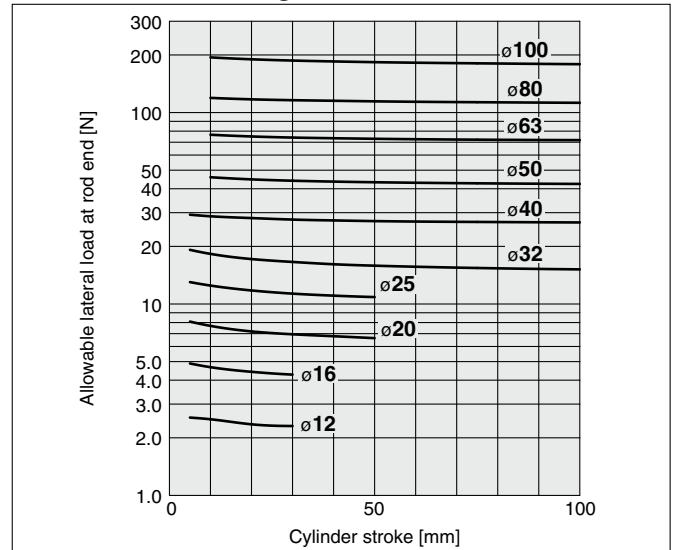
* Parts included with each type of bracket are as follows.
 Foot, Compact foot, Flange: Body mounting bolts
 * For details on accessory brackets (Options) ⇨ p. 29 to 36
 * Foot, compact foot, flange brackets, etc., cannot be retrofitted for through-hole mounting (B).

Allowable Lateral Load at Rod End

Without Auto Switch Magnet



With Auto Switch Magnet



Theoretical Output

Bore size [mm]	Operating pressure [MPa]		
	0.3	0.5	0.7
12	25	42	59
16	45	75	106
20	71	118	165
25	113	189	264
32	181	302	422
40	317	528	739
50	495	825	1150
63	841	1400	1960
80	1360	2270	3170
100	2140	3570	5000

Standard
Double Acting, Double Rod
CQ2W

Large Bore Size
Double Acting, Double Rod
CQ2W

Anti-lateral Load
Double Acting, Single Rod
CQ2□S

Long Stroke
Double Acting, Single Rod
CQ2

Non-rotating Rod
Double Acting, Double Rod
CQ2KW

Water Resistant
Double Acting, Single Rod
CQ2-R/V

Axial Piping
Double Acting, Single Rod
CQP2

With End Lock
Double Acting, Single Rod
CBQ2

Auto Switch

Made to Order

CQ2W Series

Weight

Without Auto Switch Magnet

[g]

Bore size [mm]	Cylinder stroke [mm]											
	5	10	15	20	25	30	35	40	45	50	75	100
12	42	49	56	63	70	77	—	—	—	—	—	—
16	59	68	77	86	95	104	—	—	—	—	—	—
20	89	104	119	134	149	164	179	194	209	224	—	—
25	119	136	153	170	187	204	221	238	255	272	—	—
32	185	212	235	257	280	303	326	349	372	395	555	670
40	279	308	337	367	396	426	455	484	514	543	749	896
50	—	497	538	580	622	664	705	747	789	830	1122	1331
63	—	646	682	718	754	790	826	862	899	935	1187	1368
80	—	1149	1225	1302	1378	1455	1531	1608	1684	1760	2296	2678
100	—	1960	2068	2177	2286	2394	2503	2612	2720	2829	3589	4132

With Auto Switch Magnet

[g]

Bore size [mm]	Cylinder stroke [mm]											
	5	10	15	20	25	30	35	40	45	50	75	100
12	50	58	65	73	80	87	—	—	—	—	—	—
16	77	87	96	106	115	125	—	—	—	—	—	—
20	120	136	151	166	182	197	212	228	243	258	—	—
25	170	185	201	216	232	247	263	279	294	310	—	—
32	238	260	283	306	329	352	375	398	421	444	558	673
40	353	383	412	442	471	500	530	559	589	618	765	912
50	—	609	645	681	716	752	788	823	859	895	1073	1252
63	—	798	840	882	924	966	1008	1051	1093	1135	1346	1556
80	—	1393	1469	1546	1622	1699	1775	1851	1928	2004	2387	2769
100	—	2334	2443	2551	2660	2769	2877	2986	3094	3203	3746	4289

Additional Weight

[g]

Bore size [mm]		12	16	20	25	32	40	50	63	80	100
Both ends tapped		2	2	6	6	6	6	6	19	45	45
Rod end male thread	Male thread	3	6	12	24	52	54	106	106	240	350
	Nut	2	4	8	16	34	34	64	64	98	232
With rubber bumper		0	0	-2	-2	-3	-7	-12	-20	-34	-57
Built-in One-touch fittings		—	—	—	—	12	12	21	21	—	—
Foot (Including mounting bolts)		52	66	156	184	136	154	243	321	627	1023
Compact foot (Including mounting bolts)		39	50	122	143	110	124	197	259	531	818
Flange (Including mounting bolts)		57	69	139	161	180	214	373	559	1056	1365

Calculation: (Example) **CQ2WF32-20DCMZ**

- Basic weight: CQ2WB32-20DZ 257 g
 - Additional weight: Both ends tapped 6 g
 - Rod end male thread 86 g
 - With rubber bumper -3 g
 - Flange 180 g
- 526 g

Additional Weight

[g]

Bore size [mm]		12	16	20	25	32	40	50	63	80	100
Both ends tapped		1	1	3	3	6	6	6	19	45	45
Rod end male thread	Male thread	3	6	12	24	52	54	106	106	240	350
	Nut	2	4	8	16	34	34	64	64	98	232
With rubber bumper		0	0	-2	-2	-3	-7	-12	-19	-34	-54
Built-in One-touch fittings		—	—	—	—	12	12	21	21	—	—
Foot (Including mounting bolts)		43	57	132	158	136	154	243	321	627	1023
Compact foot (Including mounting bolts)		32	42	100	122	110	124	197	259	531	818
Flange (Including mounting bolts)		54	67	131	153	180	214	373	559	1056	1365

Calculation: (Example) **CDQ2WF32-20DCMZ**

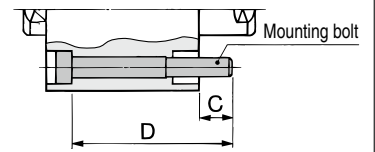
- Basic weight: CDQ2WB32-20DZ 306 g
 - Additional weight: Both ends tapped 6 g
 - Rod end male thread 86 g
 - With rubber bumper -3 g
 - Rod flange 180 g
- 575 g
- Add each weight of auto switches when auto switches are mounted.

Through-hole Type Mounting Bolt for the CQ2W: Without Auto Switch Magnet

Mounting bolt for the through-hole mounting of the CQ2WB is available as an option.
Refer to the following for ordering procedures.
Order the actual number of bolts that will be used.

Example) CQ-M3 x 35L 4 pcs.

Type: Hexagon socket head cap screw
Material: Chromium molybdenum steel
Surface treatment: Zinc chromated



Cylinder model	C	D	Mounting bolt part no.
CQ2WB12-5D	8.3	35	CQ-M3 x 35L
-10D		40	x 40L
-15D		45	x 45L
-20D		50	x 50L
-25D		55	x 55L
-30D		60	x 60L
CQ2WB16-5D	7.5	35	CQ-M3 x 35L
-10D		40	x 40L
-15D		45	x 45L
-20D		50	x 50L
-25D		55	x 55L
-30D		60	x 60L
CQ2WB20-5D	6	30	CQ-M5 x 30L
-10D		35	x 35L
-15D		40	x 40L
-20D		45	x 45L
-25D		50	x 50L
-30D		55	x 55L
-35D		60	x 60L
-40D		65	x 65L
-45D		70	x 70L
-50D		75	x 75L
CQ2WB25-5D	8	35	CQ-M5 x 35L
-10D		40	x 40L
-15D		45	x 45L
-20D		50	x 50L
-25D		55	x 55L
-30D		60	x 60L
-35D		65	x 65L
-40D		70	x 70L
-45D		75	x 75L
-50D		80	x 80L

Cylinder model	C	D	Mounting bolt part no.
CQ2WB32-5DZ	6.5	35	CQ-M5 x 35L
-10DZ		40	x 40L
-15DZ		45	x 45L
-20DZ		50	x 50L
-25DZ		55	x 55L
-30DZ		60	x 60L
-35DZ		65	x 65L
-40DZ		70	x 70L
-45DZ		75	x 75L
-50DZ		80	x 80L
CQ2WB40-5DZ	7	45	CQ-M5 x 45L
-10DZ		50	x 50L
-15DZ		55	x 55L
-20DZ		60	x 60L
-25DZ		65	x 65L
-30DZ		70	x 70L
-35DZ		75	x 75L
-40DZ		80	x 80L
-45DZ		85	x 85L
-50DZ		90	x 90L
CQ2WB50-10DZ	12.5	55	CQ-M6 x 55L
-15DZ		60	x 60L
-20DZ		65	x 65L
-25DZ		70	x 70L
-30DZ		75	x 75L
-35DZ		80	x 80L
-40DZ		85	x 85L
-45DZ		90	x 90L
-50DZ		95	x 95L
-100DZ		130	x 130L
CQ2WB63-10DZ	13.5	55	CQ-M8 x 55L
-15DZ		60	x 60L
-20DZ		65	x 65L
-25DZ		70	x 70L
-30DZ		75	x 75L
-35DZ		80	x 80L
-40DZ		85	x 85L
-45DZ		90	x 90L
-50DZ		95	x 95L
-100DZ		155	x 155L

Cylinder model	C	D	Mounting bolt part no.
CQ2WB63-10DZ	13.5	55	CQ-M8 x 55L
-15DZ		60	x 60L
-20DZ		65	x 65L
-25DZ		70	x 70L
-30DZ		75	x 75L
-35DZ		80	x 80L
-40DZ		85	x 85L
-45DZ		90	x 90L
-50DZ		95	x 95L
-75DZ		130	x 130L
CQ2WB80-10DZ	12.5	60	CQ-M10 x 60L
-15DZ		65	x 65L
-20DZ		70	x 70L
-25DZ		75	x 75L
-30DZ		80	x 80L
-35DZ		85	x 85L
-40DZ		90	x 90L
-45DZ		95	x 95L
-50DZ		100	x 100L
-75DZ		135	x 135L
CQ2WB100-10DZ	13	70	CQ-M10 x 70L
-15DZ		75	x 75L
-20DZ		80	x 80L
-25DZ		85	x 85L
-30DZ		90	x 90L
-35DZ		95	x 95L
-40DZ		100	x 100L
-45DZ		105	x 105L
-50DZ		110	x 110L
-75DZ		145	x 145L
-100DZ	170	x 170L	

Through-hole Type Mounting Bolt for the CDQ2W: With Auto Switch Magnet

Cylinder model	C	D	Mounting bolt part no.
CDQ2WB12-5DZ	6.1	40	CQ-M3 x 40L
-10DZ		45	x 45L
-15DZ		50	x 50L
-20DZ		55	x 55L
-25DZ		60	x 60L
-30DZ		65	x 65L
CDQ2WB16-5DZ	7.5	45	CQ-M3 x 45L
-10DZ		50	x 50L
-15DZ		55	x 55L
-20DZ		60	x 60L
-25DZ		65	x 65L
-30DZ		70	x 70L
CDQ2WB20-5DZ	9	45	CQ-M5 x 45L
-10DZ		50	x 50L
-15DZ		55	x 55L
-20DZ		60	x 60L
-25DZ		65	x 65L
-30DZ		70	x 70L
-35DZ		75	x 75L
-40DZ		80	x 80L
-45DZ		85	x 85L
-50DZ		90	x 90L
CDQ2WB25-5DZ	8	45	CQ-M5 x 45L
-10DZ		50	x 50L
-15DZ		55	x 55L
-20DZ		60	x 60L
-25DZ		65	x 65L
-30DZ		70	x 70L
-35DZ		75	x 75L
-40DZ		80	x 80L
-45DZ		85	x 85L
-50DZ		90	x 90L

Cylinder model	C	D	Mounting bolt part no.
CDQ2WB32-5DZ	6.5	45	CQ-M5 x 45L
-10DZ		50	x 50L
-15DZ		55	x 55L
-20DZ		60	x 60L
-25DZ		65	x 65L
-30DZ		70	x 70L
-35DZ		75	x 75L
-40DZ		80	x 80L
-45DZ		85	x 85L
-50DZ		90	x 90L
CDQ2WB40-5DZ	7	55	CQ-M5 x 55L
-10DZ		60	x 60L
-15DZ		65	x 65L
-20DZ		70	x 70L
-25DZ		75	x 75L
-30DZ		80	x 80L
-35DZ		85	x 85L
-40DZ		90	x 90L
-45DZ		95	x 95L
-50DZ		100	x 100L
CDQ2WB50-10DZ	12.5	65	CQ-M6 x 65L
-15DZ		70	x 70L
-20DZ		75	x 75L
-25DZ		80	x 80L
-30DZ		85	x 85L
-35DZ		90	x 90L
-40DZ		95	x 95L
-45DZ		100	x 100L
-50DZ		105	x 105L
-75DZ		130	x 130L
CDQ2WB63-10DZ	13.5	65	CQ-M8 x 65L
-15DZ		70	x 70L
-20DZ		75	x 75L
-25DZ		80	x 80L
-30DZ		85	x 85L
-35DZ		90	x 90L
-40DZ		95	x 95L
-45DZ		100	x 100L
-50DZ		105	x 105L
-75DZ		135	x 135L
CDQ2WB80-10DZ	12.5	70	CQ-M10 x 70L
-15DZ		75	x 75L
-20DZ		80	x 80L
-25DZ		85	x 85L
-30DZ		90	x 90L
-35DZ		95	x 95L
-40DZ		100	x 100L
-45DZ		105	x 105L
-50DZ		110	x 110L
-75DZ		145	x 145L
CDQ2WB100-10DZ	13	80	CQ-M10 x 80L
-15DZ		85	x 85L
-20DZ		90	x 90L
-25DZ		95	x 95L
-30DZ		100	x 100L
-35DZ		105	x 105L
-40DZ		110	x 110L
-45DZ		115	x 115L
-50DZ		120	x 120L
-75DZ		145	x 145L
-100DZ	170	x 170L	

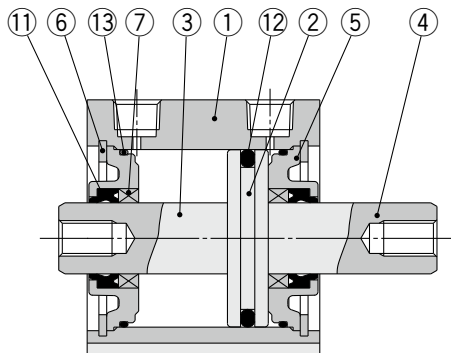
Cylinder model	C	D	Mounting bolt part no.
CDQ2WB63-10DZ	13.5	65	CQ-M8 x 65L
-15DZ		70	x 70L
-20DZ		75	x 75L
-25DZ		80	x 80L
-30DZ		85	x 85L
-35DZ		90	x 90L
-40DZ		95	x 95L
-45DZ		100	x 100L
-50DZ		105	x 105L
-75DZ		130	x 130L
CDQ2WB80-10DZ	12.5	70	CQ-M10 x 70L
-15DZ		75	x 75L
-20DZ		80	x 80L
-25DZ		85	x 85L
-30DZ		90	x 90L
-35DZ		95	x 95L
-40DZ		100	x 100L
-45DZ		105	x 105L
-50DZ		110	x 110L
-75DZ		145	x 145L
CDQ2WB100-10DZ	13	80	CQ-M10 x 80L
-15DZ		85	x 85L
-20DZ		90	x 90L
-25DZ		95	x 95L
-30DZ		100	x 100L
-35DZ		105	x 105L
-40DZ		110	x 110L
-45DZ		115	x 115L
-50DZ		120	x 120L
-75DZ		145	x 145L
-100DZ	170	x 170L	

Standard Double Acting, Single Rod **CQ2**
 Double Acting, Double Rod **CQ2W**
 Single Acting, Spring Return, End **CQ2**
 Large Bore Size Double Acting, Single Rod **CQ2**
 Double Acting, Double Rod **CQ2W**
 Anti-lateral Load Double Acting, Single Rod **CQ2**
 Double Acting, Single Rod **CQ2**
 Long Stroke Double Acting, Single Rod **CQ2**
 Double Acting, Single Rod **CQ2**
 Non-rotating Rod Double Acting, Single Rod **CQ2K**
 Double Acting, Double Rod **CQ2KW**
 Water Resistant Double Acting, Single Rod **CQ2-RV**
 Double Acting, Double Rod **CQ2W-RV**
 Axial Piping Double Acting, Single Rod **CQP2**
 Single Acting, Spring Return, Lateral **CQP2**
 With End Lock Double Acting, Single Rod **CBQ2**
 Auto Switch **Auto Switch**
 Made to Order **Made to Order**

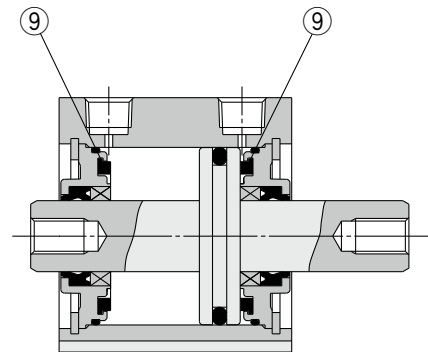
CQ2W Series

Construction

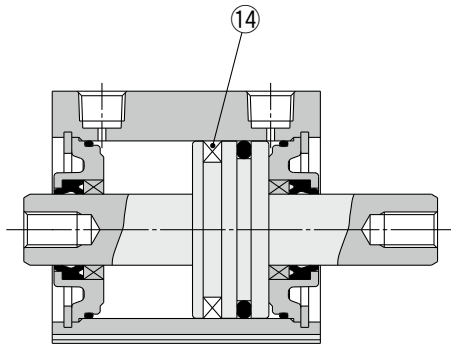
Without auto switch magnet



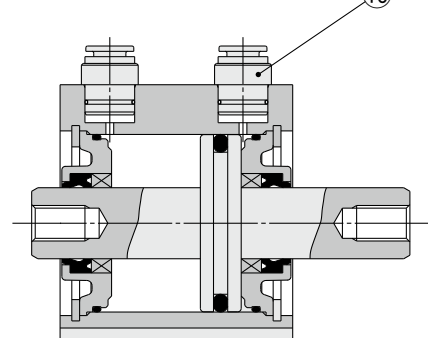
With rubber bumper



With auto switch magnet



Built-in One-touch fittings



Component Parts

No.	Description	Material	Note
1	Cylinder tube	Aluminum alloy	Hard anodized
2	Piston	Aluminum alloy	
3	Piston rod A	Stainless steel	ø12 to ø25
		Carbon steel	ø32 to ø100, Hard chrome plating
4	Piston rod B	Stainless steel	ø12 to ø25
		Carbon steel	ø32 to ø100, Hard chrome plating
5	Collar	Aluminum alloy	ø12 to ø40, Anodized
		Aluminum alloy casted	ø50 to ø100, Chromated, Painted
6	Retaining ring	Carbon tool steel	Phosphate coated
7	Bushing	Bearing alloy	For ø50 or more only
8	Rod end nut	Carbon steel	Zinc chromated
9	Bumper	Urethane	Pneumatic type only
10	One-touch fitting	—	ø32 to ø63
11	Rod seal	NBR	
12	Piston seal	NBR	
13	Tube gasket	NBR	
14	Magnet	—	

Replacement Parts/Seal Kit

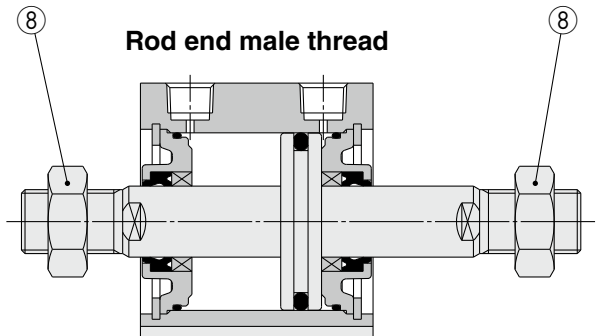
Pneumatic Type

Bore size [mm]	Kit no.	Contents
12	CQ2WB12-PS	Set of nos. ①, ②, ⑬
16	CQ2WB16-PS	
20	CQ2WB20-PS	
25	CQ2WB25-PS	
32	CQ2WB32-PS	
40	CQ2WB40-PS	
50	CQ2WB50-PS	
63	CQ2WB63-PS	
80	CQ2WB80-PS	
100	CQ2WB100-PS	

* Seal kit includes ①, ②, ⑬. Order the seal kit based on each bore size.

* The seal kit does not include a grease pack. Order it separately.

Grease pack part no.: GR-S-010 (10 g)



Air-hydro Type

Bore size [mm]	Kit no.	Contents
20	CQ2WBH20-PS	Set of nos. ①, ②, ⑬
25	CQ2WBH25-PS	
32	CQ2WBH32-PS	
40	CQ2WBH40-PS	
50	CQ2WBH50-PS	
63	CQ2WBH63-PS	
80	CQ2WBH80-PS	
100	CQ2WBH100-PS	

* Seal kit includes ①, ②, ⑬. Order the seal kit based on each bore size.

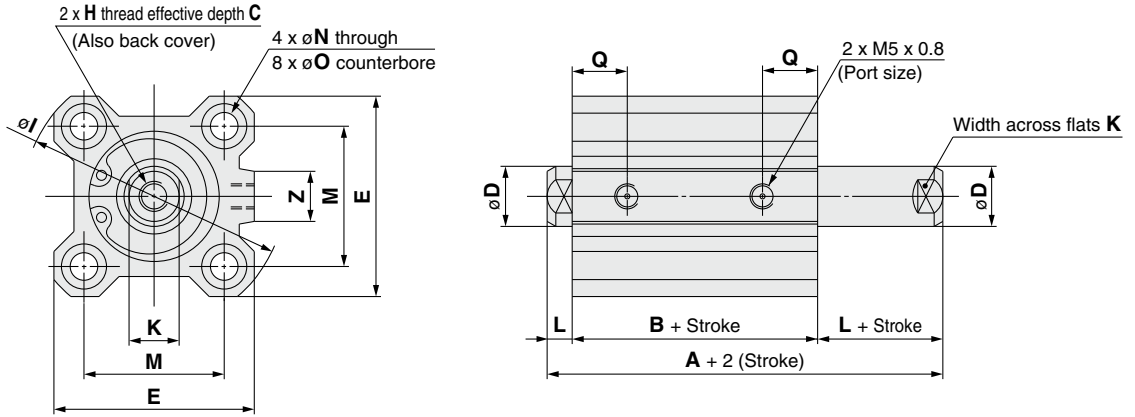
* The seal kit does not include a grease pack. Order it separately.

Grease pack part no.: GR-S-010 (10 g)

Bore Size

∅12 to ∅25 Without Auto Switch Magnet

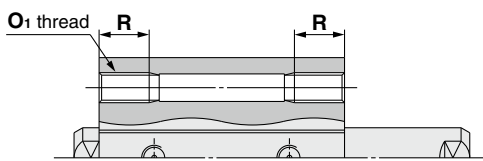
Through-hole: CQ2WB



Bore size [mm]	Stroke range [mm]	A	B	C	D	E	H	I	K	L	M	N	O	Q	Z
12	5 to 30	32.2	25.2	6	6	25	M3 x 0.5	32	5	3.5	15.5	3.5	6.5 depth 3.5	10	—
16	5 to 30	33	26	8	8	29	M4 x 0.7	38	6	3.5	20	3.5	6.5 depth 3.5	10	10
20	5 to 50	35	26	7	10	36	M5 x 0.8	47	8	4.5	25.5	5.5	9 depth 7	8	10
25	5 to 50	39	29	12	12	40	M6 x 1.0	52	10	5	28	5.5	9 depth 7	9	10

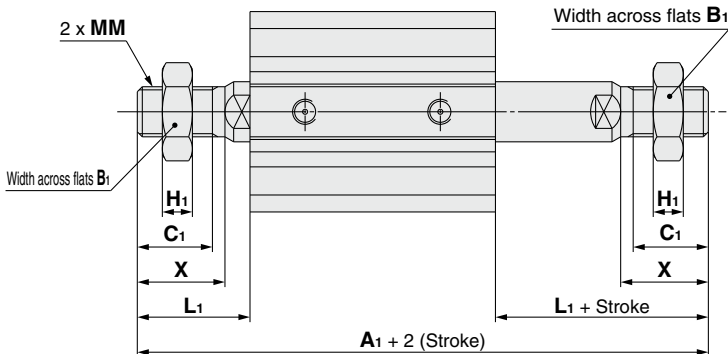
- * For details on the rod end nut and accessory brackets ⇨ p. 34 to 36
- * The positions of left and right width across flats are not constant.
- * The external dimensions with rubber bumper are same as those of the standard, as shown above.

Both ends tapped



Bore size [mm]	O ₁	R
12	M4 x 0.7	7
16	M4 x 0.7	7
20	M6 x 1.0	10
25	M6 x 1.0	10

Rod end male thread



Bore size [mm]	A ₁	B ₁	C ₁	H ₁	L ₁	MM	X
12	53.2	8	9	4	14	M5 x 0.8	10.5
16	57	10	10	5	15.5	M6 x 1.0	12
20	63	13	12	5	18.5	M8 x 1.25	14
25	74	17	15	6	22.5	M10 x 1.25	17.5

Standard Double Acting, Double Rod **CQ2W**

Single Acting, Spring Return, Double Rod **CQ2**

Large Bore Size Double Acting, Double Rod **CQ2W**

Anti-lateral Load Double Acting, Single Rod **CQ2□S**

Long Stroke Double Acting, Single Rod **CQ2**

Non-rotating Rod Double Acting, Single Rod **CQ2K**

Water Resistant Double Acting, Single Rod **CQ2-RV**

Axial Piping Single Acting, Single Rod **CQP2**

With End Lock Double Acting, Single Rod **CBQ2**

Auto Switch

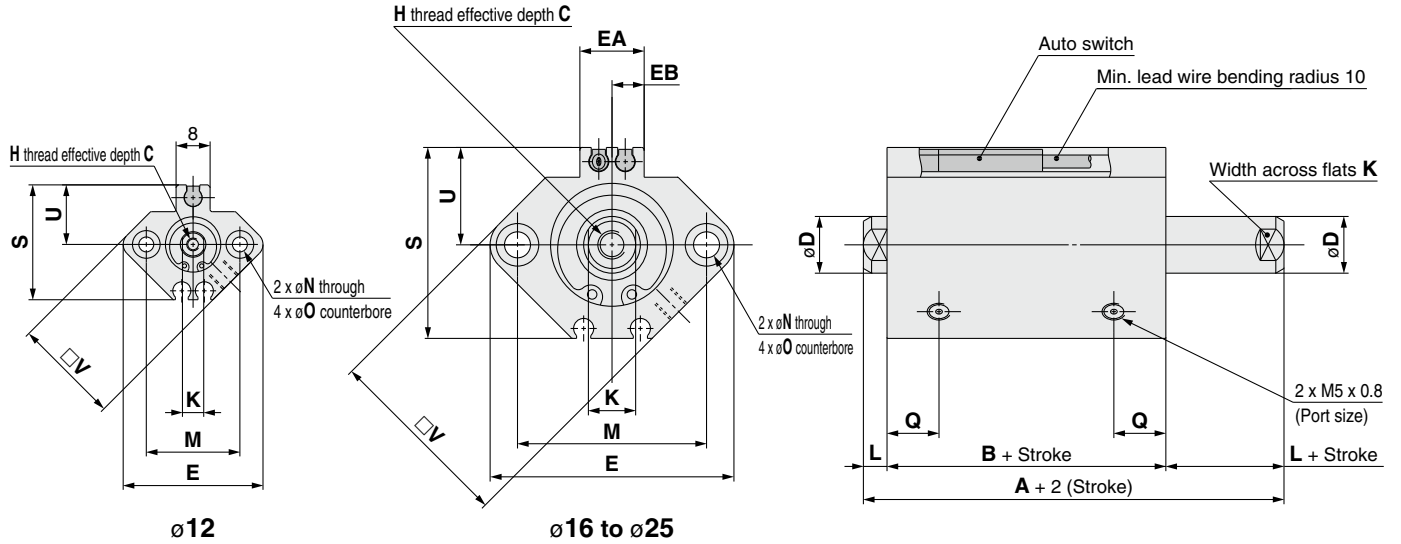
Made to Order

CQ2W Series

Bore Size

Ø12 to Ø25 With Auto Switch Magnet

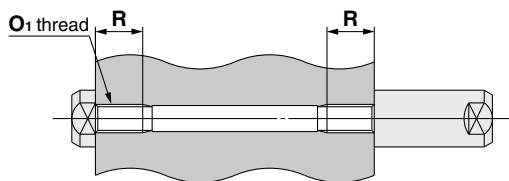
Through-hole: CDQ2WB



Bore Size [mm]	Stroke range [mm]	A	B	C	D	E	EA	EB	H	K	L	M	N	O	Q	S	U	V
12	5 to 30	39.4	32.4	6	6	33	—	—	M3 x 0.5	5	3.5	22	3.5	6.5 depth 3.5	10.5	27.5	14	25
16	5 to 30	43	36	8	8	37	13.2	6.6	M4 x 0.7	6	3.5	28	3.5	6.5 depth 3.5	10	29.5	15	29
20	5 to 50	47	38	7	10	47	13.6	6.8	M5 x 0.8	8	4.5	36	5.5	9 depth 7	8	35.5	18	36
25	5 to 50	49	39	12	12	52	13.6	6.8	M6 x 1.0	10	5	40	5.5	9 depth 7	9	40.5	21	40

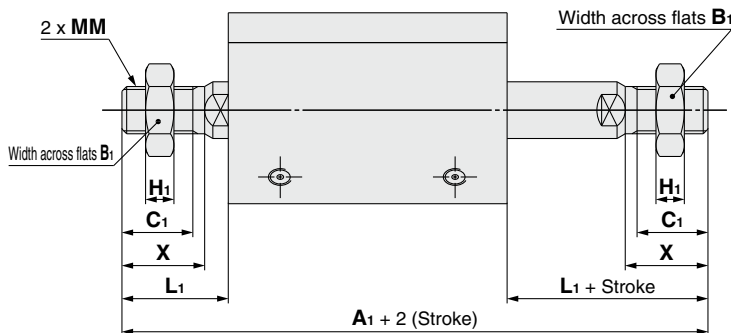
- * For details on the rod end nut and accessory brackets ⇨ p. 34 to 36
- * The positions of left and right width across flats are not constant.
- * The external dimensions with rubber bumper are same as those of the standard, as shown above.
- * For the auto switch proper mounting position and mounting height ⇨ p. 149 to 156

Both ends tapped



Bore Size [mm]	O ₁	R
12	M4 x 0.7	7
16	M4 x 0.7	7
20	M6 x 1.0	10
25	M6 x 1.0	10

Rod end male thread

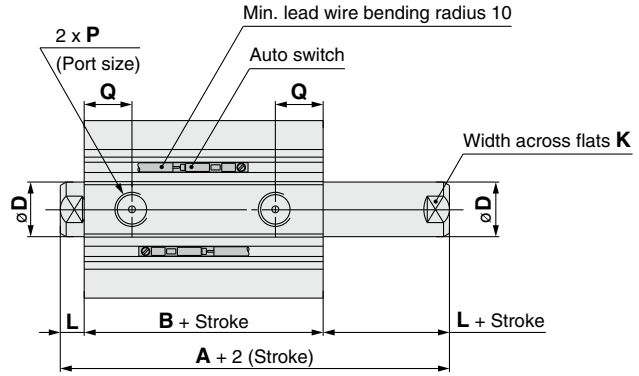
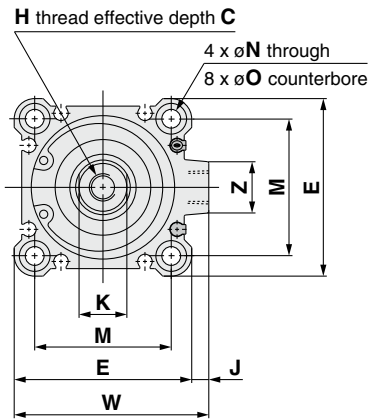


Bore Size [mm]	A ₁	B ₁	C ₁	H ₁	L ₁	MM	X
12	60.4	8	9	4	14	M5 x 0.8	10.5
16	67	10	10	5	15.5	M6 x 1.0	12
20	75	13	12	5	18.5	M8 x 1.25	14
25	84	17	15	6	22.5	M10 x 1.25	17.5

Bore Size

ø32 to ø50 With/Without Auto Switch Magnet

Through-hole: **C□Q2WB**

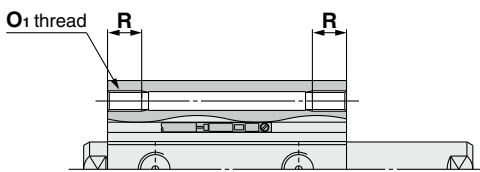


Bore size [mm]	Stroke range [mm]	Without auto switch magnet			With auto switch magnet		
		A	B	P	A	B	P
32	5	44.5	30.5	M5	54.5	40.5	1/8
	10 to 50			1/8			
	75,100	54.5	40.5	1/8			
40	5 to 50	54	40	1/8	64	50	1/8
	75,100	64	50	1/8	64	50	1/8
50	10 to 50	56.5	40.5	1/4	66.5	50.5	1/4
	75,100	66.5	50.5	1/4	66.5	50.5	1/4

- * For details on the rod end nut and accessory brackets ⇨ p. 34 to 36
- * The positions of left and right width across flats are not constant.
- * The external dimensions with rubber bumper are same as those of the standard, as shown above.
- * For the auto switch proper mounting position and mounting height ⇨ p. 149 to 156

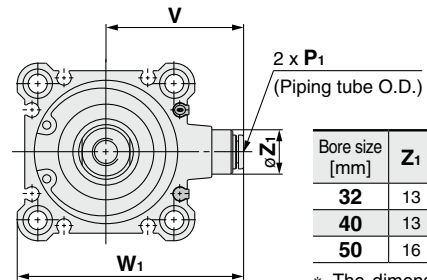
Bore size [mm]	C	D	E	H	J	K	L	M	N	O	Q	W	Z
32	13	16	45	M8 x 1.25	4.5	14	7	34	5.5	9 depth 7	10	49.5	14
40	13	16	52	M8 x 1.25	5	14	7	40	5.5	9 depth 7	12.5	57	15
50	15	20	64	M10 x 1.5	7	17	8	50	6.6	11 depth 8	14	71	19

Both ends tapped



Bore size [mm]	O ₁	R
32	M6 x 1.0	10
40	M6 x 1.0	10
50	M8 x 1.25	14

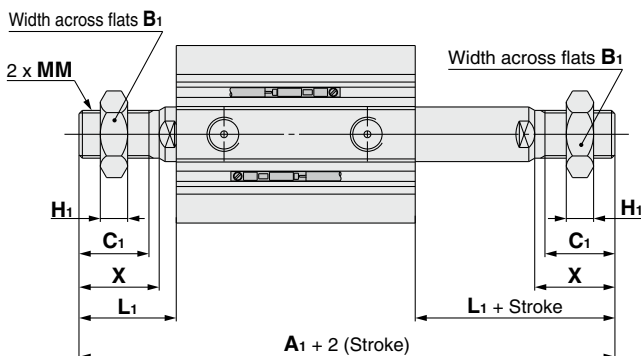
Built-in One-touch fittings



Bore size [mm]	Z ₁	P ₁	V	W ₁
32	13	6	36.5	59
40	13	6	40.5	66
50	16	8	50	82

- * The dimensions of the ø32-5 mm stroke with built-in One-touch fittings (without magnet) are the same as those of the 10 mm stroke cylinder tube.

Rod end male thread



Bore size [mm]	Stroke range [mm]	Without auto switch magnet		With auto switch magnet	
		A ₁		A ₁	
32	5 to 50	87.5		97.5	
	75,100	97.5		97.5	
40	5 to 50	97		107	
	75,100	107		107	
50	10 to 50	107.5		117.5	
	75,100	117.5		117.5	

Bore size [mm]	B ₁	C ₁	H ₁	L ₁	MM	X
32	22	20.5	8	28.5	M14 x 1.5	23.5
40	22	20.5	8	28.5	M14 x 1.5	23.5
50	27	26	11	33.5	M18 x 1.5	28.5

Standard Double Acting, Double Rod **CQ2W**

Standard Double Acting, Single Rod **CQ2**

Large Bore Size Double Acting, Double Rod **CQ2W**

Large Bore Size Double Acting, Single Rod **CQ2**

Anti-lateral Load Double Acting, Single Rod **CQ2□S**

Long Stroke Double Acting, Single Rod **CQ2**

Non-rotating Rod Double Acting, Double Rod **CQ2KW**

Non-rotating Rod Double Acting, Single Rod **CQ2K**

Water Resistant Double Acting, Double Rod **CQ2W-RV**

Water Resistant Double Acting, Single Rod **CQ2-RV**

Axial Piping Single Acting, Single Rod **CQP2**

With End Lock Double Acting, Single Rod **CBQ2**

Auto Switch

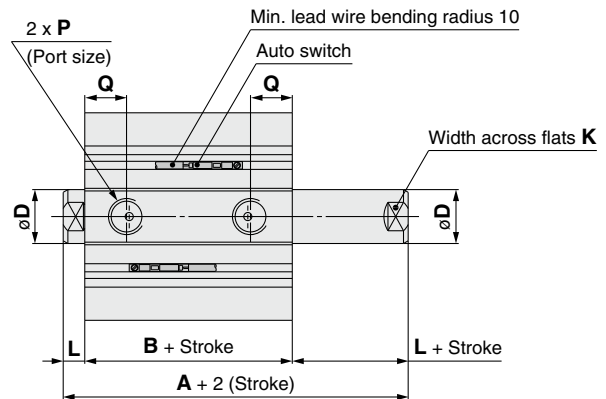
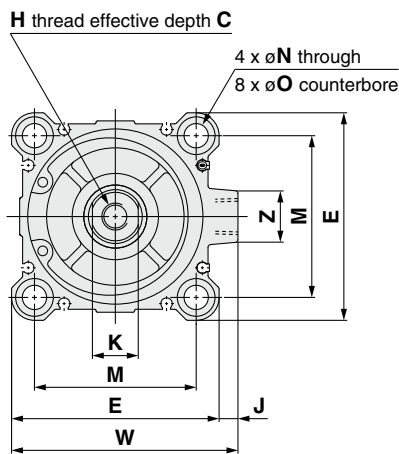
Made to Order

CQ2W Series

Bore Size

Ø63 to Ø100 With/Without Auto Switch Magnet

Through-hole: C□Q2WB



[mm]

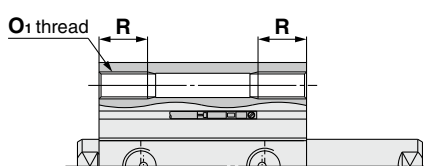
Bore size [mm]	Stroke range [mm]	Without auto switch magnet		With auto switch magnet	
		A	B	A	B
63	10 to 50	58	42	68	52
	75,100	68	52		
80	10 to 50	71	51	81	61
	75,100	81	61		
100	10 to 50	84.5	60.5	94.5	70.5
	75,100	94.5	70.5		

Bore size [mm]	C	D	E	H	J	K	L	M	N	O	P	Q	W	Z
63	15	20	77	M10 x 1.5	7	17	8	60	9	14 depth 10.5	1/4	15.5	84	19
80	21	25	98	M16 x 2.0	6	22	10	77	11	17.5 depth 13.5	3/8	18	104	25
100	27	30	117	M20 x 2.5	6.5	27	12	94	11	17.5 depth 13.5	3/8	22	123.5	25

[mm]

- * For details on the rod end nut and accessory brackets ⇨ p. 34 to 36
- * The positions of left and right width across flats are not constant.
- * The external dimensions with rubber bumper are same as those of the standard, as shown above.
- * For the auto switch proper mounting position and mounting height ⇨ p. 149 to 156

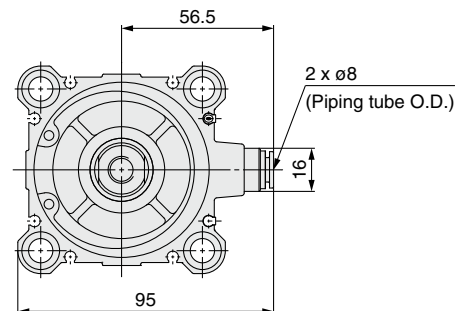
Both ends tapped



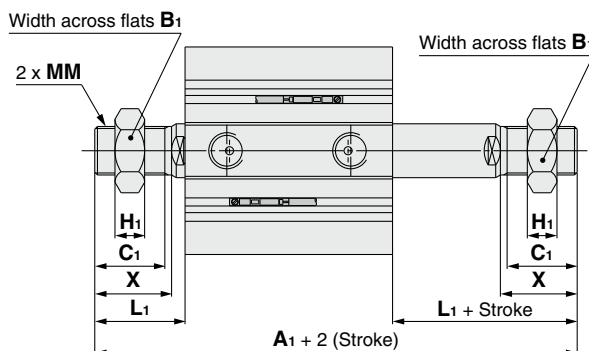
Bore size [mm]	O ₁	R
63	M10 x 1.5	18
80	M12 x 1.75	22
100	M12 x 1.75	22

[mm]

Built-in One-touch fittings: Ø63



Rod end male thread



Bore size [mm]	Stroke range [mm]	Without auto switch magnet		With auto switch magnet	
		A ₁	A ₁	A ₁	A ₁
63	10 to 50	109		119	
	75,100	119			
80	10 to 50	138		148	
	75,100	148			
100	10 to 50	147.5		157.5	
	75,100	157.5			

[mm]

Bore size [mm]	B ₁	C ₁	H ₁	L ₁	MM	X
63	27	26	11	33.5	M18 x 1.5	28.5
80	32	32.5	13	43.5	M22 x 1.5	35.5
100	41	32.5	16	43.5	M26 x 1.5	35.5

[mm]

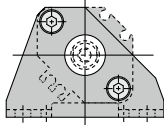
CQ2 Series Accessory Brackets

Mounting Brackets

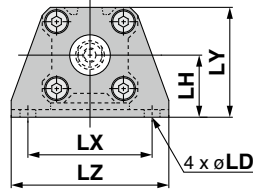
Foot

ø12 to ø25

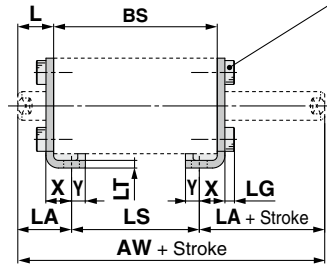
With auto switch magnet
CQ-LZ□□



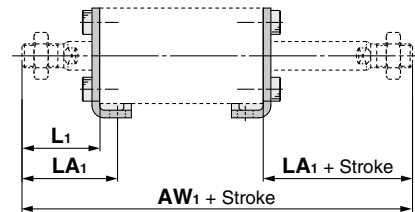
Without auto switch magnet
CQ-L0□□



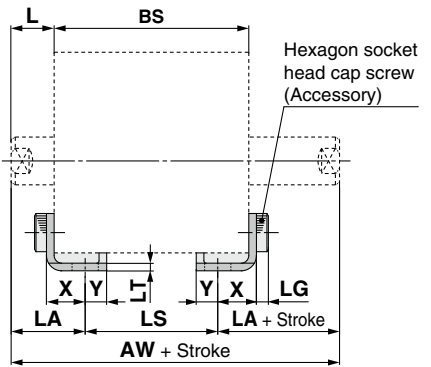
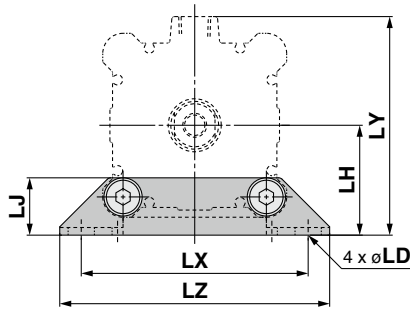
Hexagon socket head cap screw (Accessory)



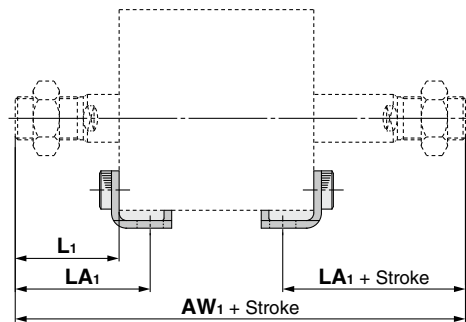
Rod end male thread



ø32 to ø100



Rod end male thread



* The foot bracket cannot be retrofitted for through-hole mounting (B).

* BS indicates the overall length of the cylinder tube to be used.

Material: Carbon steel, Surface treatment: Nickel plating [mm]

Bore size [mm]	Part no.	AW	AW ₁	L	L ₁	LA	LA ₁	LD	LG	LH	LJ	LS	LT	LX	LY	LZ	X	Y
12	CQ-L012	BS + 27	BS + 48	13.5	24	19.5	30	4.5	2.8	17	—	BS-12	2	34	29.5	44	8	4.5
	CQ-LZ12																	
16	CQ-L016	BS + 27	BS + 51	13.5	25.5	19.5	31.5	4.5	2.8	19	—	BS-12	2	38	33.5	48	8	5
	CQ-LZ16																	
20	CQ-L020	BS + 29	BS + 57	14.5	28.5	20.5	34.5	6.6	4	24	—	BS-12	3.2	48	42	62	9.2	5.8
	CQ-LZ20																	
25	CQ-L025	BS + 30	BS + 65	15	32.5	22.5	40	6.6	4	26	—	BS-15	3.2	52	46	66	10.7	5.8
	CQ-LZ25																	
32	CQ-L032	BS + 34	BS + 77	17	38.5	25	46.5	6.6	4	30	18.5	BS-16	3.2	57	57	71	11.2	5.8
40	CQ-L040	BS + 34	BS + 77	17	38.5	25	46.5	6.6	4	33	18.5	BS-16	3.2	64	64	78	11.2	7
50	CQ-L050	BS + 36	BS + 87	18	43.5	29.5	55	9	5	39	21	BS-23	3.2	79	78	95	14.7	8
63	CQ-L063	BS + 36	BS + 87	18	43.5	31	56.5	11	5	46	24	BS-26	3.2	95	91.5	113	16.2	9
80	CQ-L080	BS + 40	BS + 107	20	53.5	35	68.5	13	7	59	31	BS-30	4.5	118	114	140	19.5	11
100	CQ-L100	BS + 44	BS + 107	22	53.5	39	70.5	13	7	71	36	BS-34	6	137	136	162	23	12.5

* For details on the rod end nut and accessory brackets ⇨ p. 34 to 36

Standard	Double Acting, Single Rod	CQ2
Standard	Double Acting, Double Rod	CQ2W
Standard	Single Acting, Spring Return, End	CQ2
Large Bore Size	Double Acting, Single Rod	CQ2
Large Bore Size	Double Acting, Double Rod	CQ2W
Anti-lateral Load	Double Acting, Single Rod	CQ2□S
Long Stroke	Double Acting, Single Rod	CQ2
Non-rotating Rod	Double Acting, Single Rod	CQ2K
Non-rotating Rod	Double Acting, Double Rod	CQ2KW
Water Resistant	Double Acting, Single Rod	CQ2-RV
Water Resistant	Double Acting, Double Rod	CQ2W-RV
Axial Piping	Double Acting, Single Rod	CQP2
Axial Piping	Double Acting, Double Rod	CQP2
With End Lock	Double Acting, Single Rod	CBQ2
Auto Switch		
Made to Order		

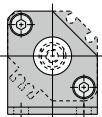
CQ2 Series

Mounting Brackets

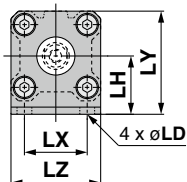
Compact foot

ø12 to ø25

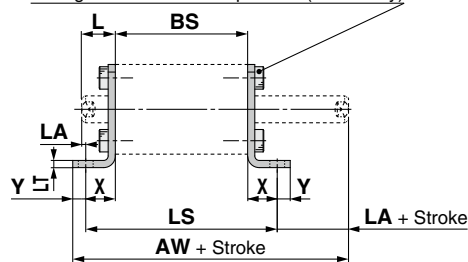
With auto switch magnet
CQ-LCZ□□



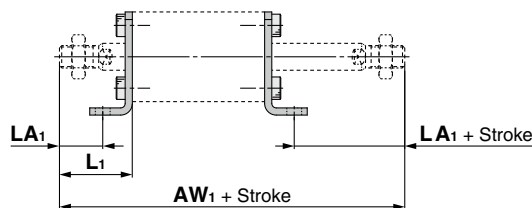
Without auto switch magnet
CQ-LC0□□



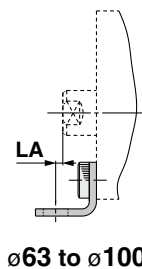
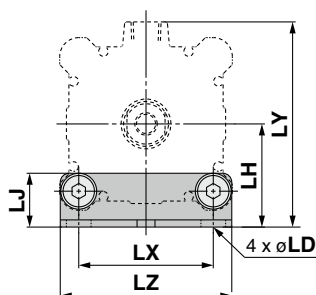
Hexagon socket head cap screw (Accessory)



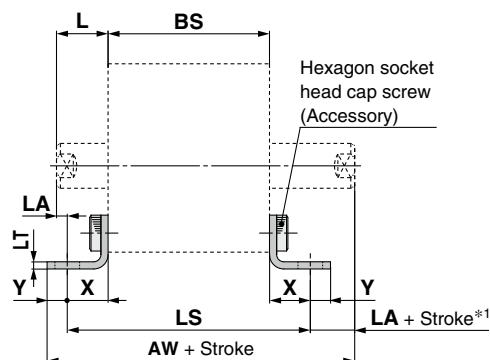
Rod end male thread



ø32 to ø100

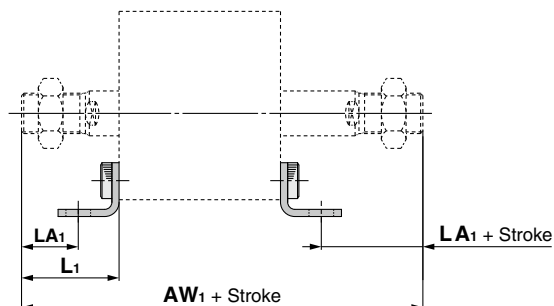


ø63 to ø100



*1 For ø63 to ø100: Stroke - LA

Rod end male thread



* The compact foot bracket cannot be retrofitted for through-hole mounting (B).

* BS indicates the overall length of the cylinder tube to be used.

Material: Carbon steel, Surface treatment: Zinc chromated [mm]

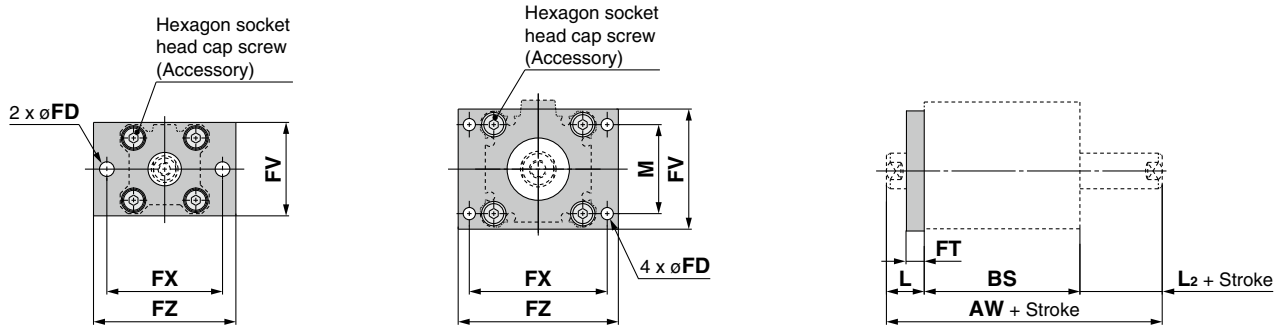
Bore size [mm]	Part no.	AW	AW ₁	L	L ₁	LA	LA ₁	LD	LH	LJ	LS	LT	LX	LY	LZ	X	Y
12	CQ-LC012	BS + 27.3	BS + 48	13.5	24	4.2	14.7	4.5	17	—	BS + 18.6	2	15.5	29.5	25	9.3	4.5
	CQ-LCZ12																
16	CQ-LC016	BS + 27.8	BS + 51	13.5	25.5	4.2	16.2	4.5	19	—	BS + 18.6	2	20	33.5	29	9.3	5
	CQ-LCZ16																
20	CQ-LC020	BS + 33.5	BS + 57	14.5	28.5	1.3	15.3	6.6	24	—	BS + 26.4	3.2	25.5	42	36	13.2	5.8
	CQ-LCZ20																
25	CQ-LC025	BS + 34	BS + 65	15	32.5	1.8	19.3	6.6	26	—	BS + 26.4	3.2	28	46	40	13.2	5.8
	CQ-LCZ25																
32	CQ-LC032	BS + 36.5	BS + 77	17	38.5	3.3	24.8	6.6	30	18.5	BS + 27.4	3.2	34	57	45	13.7	5.8
40	CQ-LC040	BS + 37.7	BS + 77	17	38.5	3.3	24.8	6.6	33	18.5	BS + 27.4	3.2	40	64	52	13.7	7
50	CQ-LC050	BS + 42.7	BS + 87	18	43.5	1.3	26.8	9	39	21	BS + 33.4	3.2	50	78	64	16.7	8
63	CQ-LC063	BS + 45.2	BS + 87	18	43.5	0.2	25.3	11	46	24	BS + 36.4	3.2	60	91.5	77	18.2	9
80	CQ-LC080	BS + 53.5*1	BS + 107	20	53.5	2.5	31	13	59	31	BS + 45	4.5	77	114	98	22.5	11
100	CQ-LC100	BS + 58.5*1	BS + 107	22	53.5	2	29.5	13	71	36	BS + 48	6	94	136	117	24	12.5

*1 For ø80 and ø100 sizes with a stroke of 10 mm or less, the dimensions of "AW + Stroke" are BS + 67 and BS + 73 respectively.

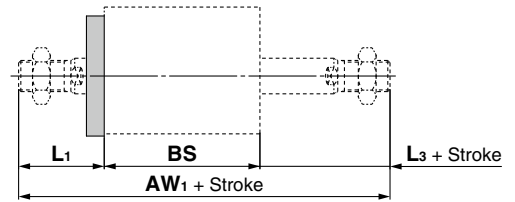
* For details on the rod end nut and accessory brackets ⇨ p. 34 to 36

Mounting Brackets

Flange



Rod end male thread



* The flange bracket cannot be retrofitted for through-hole mounting (B).

* BS indicates the overall length of the cylinder tube to be used.

Material: Carbon steel
Surface treatment: Nickel plating [mm]

Bore size [mm]	Part no.	AW	AW ₁	FD	FT	FV	FX	FZ	L	L ₁	L ₂	L ₃	M
12	CQ-F012	BS + 17	BS + 38	4.5	5.5	25	45	55	13.5	24	3.5	14	—
16	CQ-F016	BS + 17	BS + 41	4.5	5.5	30	45	55	13.5	25.5	3.5	15.5	—
20	CQ-F020	BS + 19	BS + 47	6.6	8	39	48	60	14.5	28.5	4.5	18.5	—
25	CQ-F025	BS + 20	BS + 55	6.6	8	42	52	64	15	32.5	5	22.5	—
32	CQ-F032	BS + 24	BS + 67	5.5	8	48	56	65	17	38.5	7	28.5	34
40	CQ-F040	BS + 24	BS + 67	5.5	8	54	62	72	17	38.5	7	28.5	40
50	CQ-F050	BS + 26	BS + 77	6.6	9	67	76	89	18	43.5	8	33.5	50
63	CQ-F063	BS + 26	BS + 77	9	9	80	92	108	18	43.5	8	33.5	60
80	CQ-F080	BS + 30	BS + 97	11	11	99	116	134	20	53.5	10	43.5	77
100	CQ-F100	BS + 34	BS + 97	11	11	117	136	154	22	53.5	12	43.5	94

* For details on the rod end nut and accessory brackets ⇨ p. 34 to 36

Standard	Double Acting, Single Rod	CQ2
Standard	Double Acting, Double Rod	CQ2W
Standard	Single Acting, Spring Return, Single Rod	CQ2
Standard	Double Acting, Single Rod	CQ2
Large Bore Size	Double Acting, Double Rod	CQ2W
Large Bore Size	Double Acting, Single Rod	CQ2
Anti-lateral Load	Double Acting, Single Rod	CQ2□S
Long Stroke	Double Acting, Single Rod	CQ2
Long Stroke	Double Acting, Double Rod	CQ2KW
Non-rotating Rod	Double Acting, Single Rod	CQ2-R/V
Non-rotating Rod	Double Acting, Double Rod	CQ2W-R/V
Water Resistant	Double Acting, Single Rod	CQ2-R/V
Water Resistant	Double Acting, Double Rod	CQ2W-R/V
Axial Piping	Double Acting, Single Rod	CQP2
Axial Piping	Single Acting, Spring Return, Single Rod	CQP2
With End Lock	Double Acting, Single Rod	CBQ2
Auto Switch		Auto Switch
Made to Order		Made to Order

Compact Cylinder: Standard Single Acting, Single Rod

CQ2 Series

ø12, ø16, ø20, ø25, ø32, ø40, ø50

How to Order

Without auto switch
ø12 to ø25

CQ2 B 20 □ - 10 S □ - □ □ - □ □

Without auto switch
ø32 to ø50

CQ2 B 32 □ - 10 S □ Z - □ □ - □ □

With auto switch

CDQ2 B 32 □ - 10 S M Z - L W - M9BW □ - □ □

① ② ③ ④ ⑤ ⑥ ⑦ ⑧ ⑨ ⑩ ⑪ ⑫

With auto switch magnet

The overall length of the cylinder with an auto switch magnet is longer than that of the cylinder without an auto switch magnet by the length of the built-in magnet. For details, refer to the dimensions of each size.

① Mounting

B	Through-hole
A	Both ends tapped
L	Foot
LC	Compact foot
F	Rod flange
G	Head flange
D	Double clevis

- * Mounting brackets are shipped together with the product but do not come assembled.
- * Refer to ⑧ for the through-hole type mounting bolt.
- * For cylinders with mounting options "L," "LC," or "F," the cylinder rod protrusion dimensions (Dimensions L and L₁) vary from the standard cylinder. When only ordering the cylinder, order the rod end length increased by 10 mm (-XC2) cylinder. For details ⇨ p. 178

④ Cylinder stroke

(For details on the minimum stroke for auto switch mounting ⇨ p. 157) [mm]

Bore size	Standard stroke
12, 16, 20, 25, 32, 40	5, 10
50	10, 20

- * For the manufacturing of intermediate strokes ⇨ p. 53

⑦ Auto switch mounting groove

Z	ø12 to ø25	2 surfaces
	ø32 to ø50	4 surfaces

② Bore size

12	12 mm
16	16 mm
20	20 mm
25	25 mm
32	32 mm
40	40 mm
50	50 mm

⑤ Action

S	Single acting, Spring return
T	Single acting, Spring extend

⑧ Through-hole type mounting bolt

Nil	None
L	Shipped together

- * Mounting bolt is shipped together with the product only when the mounting bracket is "B" (Through-hole). For details ⇨ p. 56

- * **When a made-to-order option is selected, the mounting bolt is not shipped together with the product. Please order it separately.**

③ Port thread type

Nil	M thread	ø12 to ø25
	Rc	
TN	NPT	ø32 to ø50
TF	G	
F	Built-in One-touch fittings*1	

- *1 The bore sizes available with One-touch fittings are ø32 to ø50.

- * For cylinders without an auto switch magnet, M threads are compatible only with ø32-5 mm stroke.

⑥ Body option

Nil	Rod end female thread
F	With boss on head end
M	Rod end male thread

- * Combined body options "FM" can be selected.

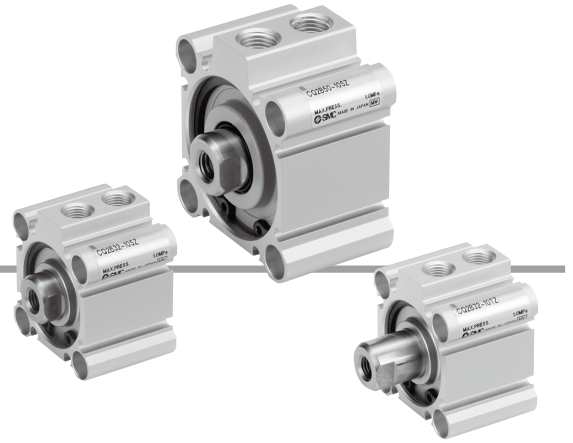
⑨ Rod end bracket (⇨ p. 34 to 36)

Nil	None
D	Type A mounting bracket + Joint
E	Type B mounting bracket + Joint
V	Single knuckle joint
W	Double knuckle joint

- * Options "D" and "E" must be used in combination with body option (Nil), the rod end female thread, and options "V" and "W" must be used in combination with body option (M), the rod end male thread.

- * A knuckle pin is not provided with the single knuckle joint (V). If a pin is required, please order it separately. For details ⇨ p. 34

- * **When a made-to-order option is selected, the rod end bracket cannot be selected. Please order it separately.**



10 Auto switch

Nil	Without auto switch
------------	---------------------

* For applicable auto switches, refer to the table below.

11 Number of auto switches

Nil	2
S	1
n	n

12 Made to order common specifications

For details ⇨ p. 53

Cylinder Model with Auto Switch Magnet

If a cylinder with an auto switch magnet and without an auto switch is required, there is no need to enter the symbol for the auto switch.
(Example) CDQ2L32-10SZ

For details on **auto switch mounting** ⇨ p. 149 to 165

- Auto Switch Proper Mounting Position (Detection at stroke end) and Mounting Height
- Minimum Stroke for Auto Switch Mounting
- Operating Range
- Auto Switch Mounting Brackets/Part Nos.

Applicable Auto Switches / Refer to the **Web Catalog** for further information on auto switches.

Type	Special function	Electrical entry	Indicator light	Wiring (Output)	Load voltage		Auto switch model		Lead wire length [m]					Pre-wired connector	Applicable load			
					DC	AC	Perpendicular	In-line	0.5 (Nil)	1 (M)	3 (L)	5 (Z)	None (N)					
Solid state auto switch	—	Grommet	Yes	3-wire (NPN)	24 V	5 V, 12 V	—	M9NV	M9N	●	●	●	○	—	○	IC circuit	Relay, PLC	
				3-wire (PNP)				M9PV	M9P	●	●	●	○	—	○			
				2-wire				M9BV	M9B	●	●	●	○	—	○			
	Diagnostic indication (2-color indicator)			3-wire (NPN)	24 V	5 V, 12 V	—	M9NWV	M9NW	●	●	●	○	—	○	○		IC circuit
				3-wire (PNP)				M9PWV	M9PW	●	●	●	○	—	○			
				2-wire				M9B WV	M9BW	●	●	●	○	—	○			
	Water resistant (2-color indicator)			3-wire (NPN)	24 V	5 V, 12 V	—	M9NAV *1	M9NA *1	○	○	●	○	—	○	○		IC circuit
				3-wire (PNP)				M9PAV *1	M9PA *1	○	○	●	○	—	○			
				2-wire				M9BAV *1	M9BA *1	○	○	●	○	—	○			
Reed auto switch	—	Grommet	Yes	3-wire (NPN equivalent)	24 V	5 V, 12 V	100 V	A96V	A96	●	●	●	○	—	○	IC circuit	Relay, PLC	
				2-wire				A93V	A93	●	●	●	●	—	○*2	—		○
			No	2-wire	24 V	5 V, 12 V	100 V or less	A90V	A90	●	●	●	●	—	○*2	IC circuit		

*1 Water-resistant type auto switches can be mounted on the models on page 51, but SMC cannot guarantee water resistance. Please contact SMC regarding water-resistant types with the model numbers on page 51.

*2 The load voltage used is 24 VDC.

* Lead wire length symbols: 0.5 m Nil (Example) M9NV
 1 m M (Example) M9NW
 3 m L (Example) M9NL
 5 m Z (Example) M9NZ

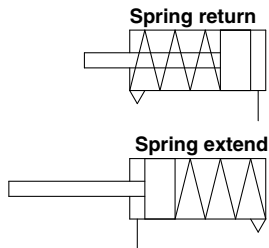
* Auto switches marked with a "○" are produced upon receipt of order.

* There are applicable auto switches other than those listed above. For details ⇨ p. 165

Standard Double Acting, Single Rod **CQ2**
 Double Acting, Double Rod **CQ2W**
 Single Acting, Spring Return, End **CQ2**
 Large Bore Size Double Acting, Double Rod **CQ2W**
 Double Acting, Single Rod **CQ2**
 Anti-lateral Load Double Acting, Single Rod **CQ2S**
 Long Stroke Double Acting, Single Rod **CQ2**
 Non-rotating Rod Double Acting, Single Rod **CQ2K**
 Double Acting, Double Rod **CQ2KW**
 Water Resistant Double Acting, Single Rod **CQ2-RV**
 Double Acting, Double Rod **CQ2W-RV**
 Axial Piping Double Acting, Single Rod **CQP2**
 Single Acting, Spring Return, End **CQP2**
 With End Lock Double Acting, Single Rod **CBQ2**
 Auto Switch
 Made to Order

CQ2 Series

Symbol



Made to Order Common Specifications (For details ⇨ p. 167 to 196)

Symbol	Specifications
-XA□	Change of rod end shape, spring return type only
-XB10	Intermediate stroke (Using exclusive body), Spring return type only
-XC2(A)	Rod end length increased by 10 mm (For foot and flange bracket)
-XC6	Piston rod/Retaining ring/Rod end nut material: Stainless steel
-XC26	With split pins for double clevis pin/ double knuckle joint pin and flat washers
-XC27	Double clevis pin/Double knuckle joint pin material: Stainless steel 304
-XC36	With boss on rod end
-XC85	Grease for food processing equipment
-X144	Special port location, with auto switch
-X271	Fluororubber seals
-X1876	Cylinder tube: With concave boss on head end

* Stainless steel accessories are also available.
For details ⇨ p. 34

Moisture Control Tube IDK Series



When operating an actuator with a small bore size and a short stroke at a high frequency, dew condensation (water droplets) may occur inside the piping depending on the conditions. Simply connecting the moisture control tube to the actuator will prevent dew condensation from occurring. For details, refer to the **Web Catalog**.

⚠ Precautions

Refer to page 197 before handling the products.

Specifications

Bore size [mm]	12	16	20	25	32	40	50
Action	Single acting, Single rod						
Fluid	Air						
Proof pressure	1.5 MPa						
Maximum operating pressure	1.0 MPa						
Minimum operating pressure [MPa]	0.25	0.25	0.18	0.18	0.17	0.15	0.13
Ambient and fluid temperatures	Without auto switch magnet: -10 to 70°C (No freezing) With auto switch magnet: -10 to 60°C						
Lubrication	Not required (Non-lube)						
Piston speed	50 to 500 mm/s						
Cushion	None						
Allowable kinetic energy [J]	0.022	0.038	0.055	0.09	0.15	0.26	0.46
Stroke length tolerance	+1.0 mm 0						

Manufacturing of Intermediate Strokes (Except single acting, spring return type)

Type	A spacer is installed in the standard stroke body.	
Part no.	Refer to "How to Order" for the standard model number. (⇨ p. 51)	
Description	Strokes in 1 mm increments are available by installing a spacer in the standard stroke cylinder.	
Stroke range	Bore size	Stroke range
	12 to 40	1 to 9
	50	1 to 19
Example	Part no.: CQ2B20-3T CQ2B20-5T with 2 mm width spacer inside The B dimension is 24.5 mm.	

Mounting Bracket Part Nos.

Bore size [mm]	Foot*1	Compact foot*1	Flange	Double clevis	Double clevis pivot bracket	
12	Without auto switch magnet	CQ-L012	CQ-LC012	CQ-F012	CQ-D012	CQ-C012
	With auto switch magnet	CQ-LZ12	CQ-LCZ12			
16	Without auto switch magnet	CQ-L016	CQ-LC016	CQ-F016	CQ-D016	CQ-C016
	With auto switch magnet	CQ-LZ16	CQ-LCZ16			
20	Without auto switch magnet	CQ-L020	CQ-LC020	CQ-F020	CQ-D020	CQ-C020
	With auto switch magnet	CQ-LZ20	CQ-LCZ20			
25	Without auto switch magnet	CQ-L025	CQ-LC025	CQ-F025	CQ-D025	CQ-C025
	With auto switch magnet	CQ-LZ25	CQ-LCZ25			
32		CQ-L032	CQ-LC032	CQ-F032	CQ-D032	CQ-C032
40		CQ-L040	CQ-LC040	CQ-F040	CQ-D040	CQ-C040
50		CQ-L050	CQ-LC050	CQ-F050	CQ-D050	CQ-C050

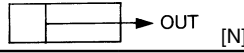
- *1 When ordering foot and compact foot brackets, the required quantity will be different depending on the bore size.
 ø12 to ø25:
 · Without auto switch magnet: Order 2 pieces per cylinder.
 · With auto switch magnet: Order 1 piece per cylinder. (Part number for a set of 2 foot brackets)
 ø32 to ø50:
 · Order 2 pieces per cylinder.
- * Parts included with each type of bracket are as follows.
 Foot, Compact foot, Flange: Body mounting bolts
 Double clevis: Clevis pin, Type C retaining rings for axis, Body mounting bolts
- * For details on accessory brackets (Options) ⇨ p. 29 to 36
- * Foot, compact foot, flange brackets, etc., cannot be retrofitted for through-hole mounting (B).

Dimensions of Each Mounting Bracket

The dimensions of each mounting bracket are the same as those of the standard type, double acting, single rod (except the configuration of the piston rod). Refer to pages 29 to 33.

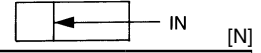
Theoretical Output

Single Acting, Spring Return



Bore size [mm]	Operating direction	Operating pressure [MPa]		
		0.3	0.5	0.7
12	OUT	21	44	66
16		45	86	126
20		79	142	205
25		126	224	323
32		211	372	533
40		338	589	841
50		535	928	1316

Single Acting, Spring Extend



Bore size [mm]	Operating direction	Operating pressure [MPa]		
		0.3	0.5	0.7
12	IN	14	31	48
16		24	54	85
20		44	91	138
25		84	160	235
32		152	273	393
40		288	499	710
50		412	742	1072

Spring Force

Single Acting, Spring Return

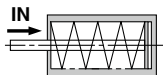
Bore size [mm]	Stroke [mm]	Spring reaction force [N]	
		Second	First
12	5	13	8.6
	10	13	3.9
16	5	15	10.3
	10	15	5.9
20	5	15	10
	10	15	5.9
25	5	20	16
	10	20	11
32	5	30	23
	10	30	16
40	5	30	13
	10	39	21
50	10	50	30
	20	54	24

Single Acting, Spring Extend

Bore size [mm]	Stroke [mm]	Spring reaction force [N]	
		Second	First
12	5	11	2.9
	10	9.7	2.8
16	5	20	3.9
	10	20	3.9
20	5	27	5.3
	10	27	5.9
25	5	29	9.8
	10	29	9.8
32	5	29	20
	10	29	20
40	5	29	20
	10	29	20
50	10	83	24
	20	83	24

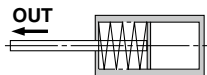
Single acting, Spring return

- First spring state



When spring is set in cylinder

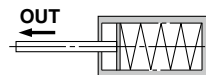
- Second spring state



When spring is compressed with air

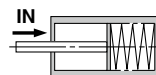
Single acting, Spring extend

- First spring state



When spring is set in cylinder

- Second spring state



When spring is compressed with air

Standard
Double Acting, Single Rod
CQ2

Standard
Double Acting, Double Rod
CQ2W

Single Acting, Spring Return, Extend
Double Acting, Single Rod
CQ2

Large Bore Size
Double Acting, Single Rod
CQ2

Double Acting, Double Rod
CQ2W

Anti-lateral Load
Double Acting, Single Rod
CQ2

Double Acting, Double Rod
CQ2S

Long Stroke
Double Acting, Single Rod
CQ2

Double Acting, Double Rod
CQ2K

Non-rotating Rod
Double Acting, Single Rod
CQ2KW

Double Acting, Double Rod
CQ2KW

Water Resistant
Double Acting, Single Rod
CQ2-R/V

Double Acting, Double Rod
CQ2W-R/V

Double Acting, Double Rod
CQ2W-R/V

Axial Piping
Double Acting, Single Rod
CQP2

Double Acting, Double Rod
CQP2

Single Acting, Spring Return, Extend
Double Acting, Single Rod
CQP2

With End Lock
Double Acting, Single Rod
CBQ2

Auto Switch

Made to Order

CQ2 Series

Weight

Without Auto Switch Magnet

Spring Return

[g]

Bore size [mm]	Cylinder stroke [mm]		
	5	10	20
12	29	35	—
16	42	51	—
20	63	76	—
25	87	101	—
32	125	145	—
40	196	217	—
50	—	357	426

Spring Extend

[g]

Bore size [mm]	Cylinder stroke [mm]		
	5	10	20
12	29	35	—
16	43	50	—
20	67	78	—
25	92	104	—
32	135	151	—
40	206	223	—
50	—	374	429

Additional Weight

[g]

Bore size [mm]		12	16	20	25	32	40	50
Both ends tapped		2	2	6	6	6	6	6
Rod end male thread	Male thread	1.5	3	6	12	26	27	53
	Nut	1	2	4	8	17	17	32
With boss on head end		0.7	1.3	2	3	5	7	13
Built-in One-touch fittings		—	—	—	—	6	6	10.5
Foot (Including mounting bolts)		50	62	150	175	120	138	219
Compact foot (Including mounting bolts)		37	46	115	134	94	109	172
Rod flange (Including mounting bolts)		57	69	139	161	180	214	373
Head flange (Including mounting bolts)		54	65	133	152	165	198	348
Double clevis (Including pin, retaining rings, bolts)		32	39	88	123	151	196	393

Calculation: (Example) **CQ2D32-10SMZ**

- Basic weight: CQ2B32-10SZ 145 g
 - Additional weight: Both ends tapped 6 g
 - Rod end male thread 43 g
 - Double clevis 151 g
- 345 g

With Auto Switch Magnet

Spring Return

[g]

Bore size [mm]	Cylinder stroke [mm]		
	5	10	20
12	44	49	—
16	64	72	—
20	97	109	—
25	135	150	—
32	182	202	—
40	269	290	—
50	—	456	521

Spring Extend

[g]

Bore size [mm]	Cylinder stroke [mm]		
	5	10	20
12	49	65	—
16	63	71	—
20	110	119	—
25	149	163	—
32	192	208	—
40	279	296	—
50	—	486	540

Additional Weight

[g]

Bore size [mm]		12	16	20	25	32	40	50
Both ends tapped		1	1	3	3	6	6	6
Rod end male thread	Male thread	1.5	3	6	12	26	27	53
	Nut	1	2	4	8	17	17	32
With boss on head end		0.7	1.3	2	3	5	7	13
Built-in One-touch fittings		—	—	—	—	6	6	10.5
Foot (Including mounting bolts)		41	53	126	149	120	138	219
Compact foot (Including mounting bolts)		30	38	94	113	94	109	172
Rod flange (Including mounting bolts)		54	67	131	153	180	214	373
Head flange (Including mounting bolts)		52	63	124	144	165	198	348
Double clevis (Including pin, retaining rings, bolts)		29	35	78	114	151	196	393

Calculation: (Example) **CDQ2D32-10SMZ**

- Basic weight: CDQ2B32-10SZ 202 g
 - Additional weight: Both ends tapped 6 g
 - Rod end male thread 43 g
 - Double clevis 151 g
- 402 g

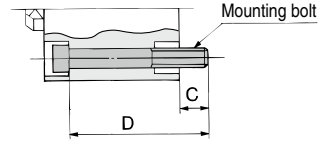
Add each weight of auto switches when auto switches are mounted.

Through-hole Type Mounting Bolt for the CQ2: Without Auto Switch Magnet

Mounting bolt for the through-hole mounting of the CQ2B is available as an option.
Refer to the following for ordering procedures.
Order the actual number of bolts that will be used.

Example) CQ-M3 x 25L 4 pcs.

Type: Hexagon socket head cap screw
Material: Chromium molybdenum steel
Surface treatment: Zinc chromated



Spring Return

Cylinder model	C	D	Mounting bolt part no.
CQ2B12-5S	6.5	25	CQ-M3 x 25L
-10S		30	x 30L
CQ2B16-5S	5	25	CQ-M3 x 25L
-10S		30	x 30L
CQ2B20-5S	7.5	25	CQ-M5 x 25L
-10S		30	x 30L
CQ2B25-5S	9.5	30	CQ-M5 x 30L
-10S		35	x 35L
CQ2B32-5SZ	9	30	CQ-M5 x 30L
-10SZ		35	x 35L
CQ2B40-5SZ	7.5	35	CQ-M5 x 35L
-10SZ		40	x 40L
CQ2B50-10SZ	12.5	45	CQ-M6 x 45L
-20SZ		55	x 55L

Spring Extend

Cylinder model	C	D	Mounting bolt part no.
CQ2B12-5T	6.5	25	CQ-M3 x 25L
-10T		30	x 30L
CQ2B16-5T	5	25	CQ-M3 x 25L
-10T		30	x 30L
CQ2B20-5T	7.5	25	CQ-M5 x 25L
-10T		30	x 30L
CQ2B25-5T	9.5	30	CQ-M5 x 30L
-10T		35	x 35L
CQ2B32-5TZ	9	30	CQ-M5 x 30L
-10TZ		35	x 35L
CQ2B40-5TZ	7.5	35	CQ-M5 x 35L
-10TZ		40	x 40L
CQ2B50-10TZ	12.5	45	CQ-M6 x 45L
-20TZ		55	x 55L

Through-hole Type Mounting Bolt for the CDQ2: With Auto Switch Magnet

Spring Return

Cylinder model	C	D	Mounting bolt part no.
CDQ2B12-5SZ	5.5	35	CQ-M3 x 35L
-10SZ		40	x 40L
CDQ2B16-5SZ	8	40	CQ-M3 x 40L
-10SZ		45	x 45L
CDQ2B20-5SZ	10.5	40	CQ-M5 x 40L
-10SZ		45	x 45L
CDQ2B25-5SZ	9.5	40	CQ-M5 x 40L
-10SZ		45	x 45L
CDQ2B32-5SZ	9	40	CQ-M5 x 40L
-10SZ		45	x 45L
CDQ2B40-5SZ	7.5	45	CQ-M5 x 45L
-10SZ		50	x 50L
CDQ2B50-10SZ	12.5	55	CQ-M6 x 55L
-20SZ		65	x 65L

Spring Extend

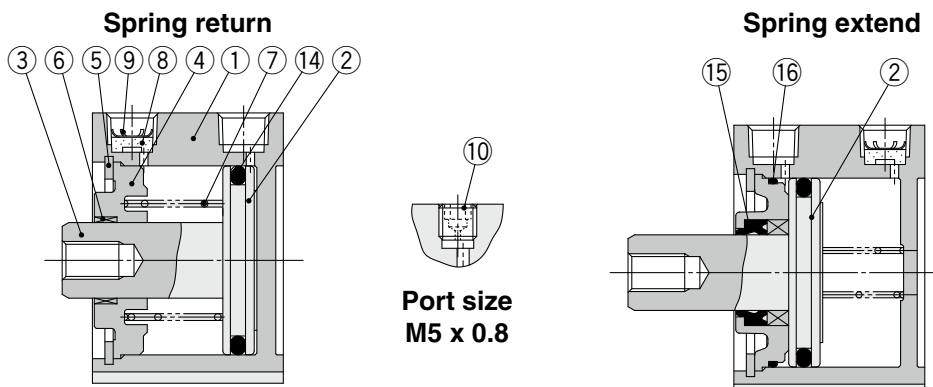
Cylinder model	C	D	Mounting bolt part no.
CDQ2B12-5TZ	6.1	40	CQ-M3 x 40L
-10TZ		45	x 45L
CDQ2B16-5TZ	8	40	CQ-M3 x 40L
-10TZ		45	x 45L
CDQ2B20-5TZ	10.5	40	CQ-M5 x 40L
-10TZ		45	x 45L
CDQ2B25-5TZ	9.5	40	CQ-M5 x 40L
-10TZ		45	x 45L
CDQ2B32-5TZ	9	40	CQ-M5 x 40L
-10TZ		45	x 45L
CDQ2B40-5TZ	7.5	45	CQ-M5 x 45L
-10TZ		50	x 50L
CDQ2B50-10TZ	12.5	55	CQ-M6 x 55L
-20TZ		65	x 65L

Standard Double Acting, Single Rod **CQ2**
 Double Acting, Double Rod **CQ2W**
 Spring Return, Spring Return-Extend **CQ2**
 Large Bore Size Double Acting, Single Rod **CQ2**
 Double Acting, Double Rod **CQ2W**
 Anti-lateral Load Double Acting, Single Rod **CQ2**
 Double Acting, Double Rod **CQ2W**
 Long Stroke Double Acting, Single Rod **CQ2**
 Double Acting, Double Rod **CQ2K**
 Non-rotating Rod Double Acting, Single Rod **CQ2K**
 Double Acting, Double Rod **CQ2KW**
 Water Resistant Double Acting, Single Rod **CQ2-RV**
 Double Acting, Double Rod **CQ2W-RV**
 Axial Piping Double Acting, Single Rod **CQP2**
 Single Acting, Spring Return-Extend **CQP2**
 With End Lock Double Acting, Single Rod **CBQ2**
 Auto Switch
 Made to Order

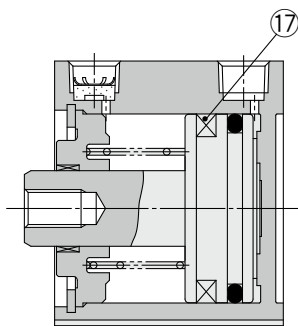
CQ2 Series

Construction

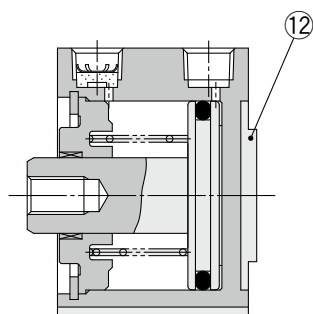
Without auto switch magnet



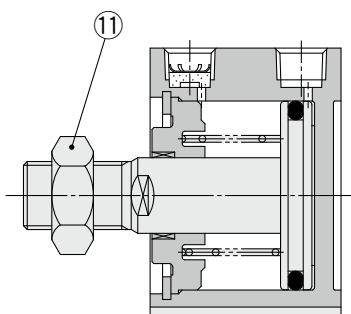
With auto switch magnet



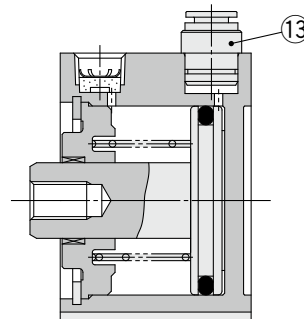
With boss on head end



Rod end male thread



Built-in One-touch fittings



Component Parts

No.	Description	Material	Note
1	Cylinder tube	Aluminum alloy	Hard anodized
2*1	Piston	Aluminum alloy	
3	Piston rod	Stainless steel	ø12 to ø25
		Carbon steel	ø32 to ø50, Hard chrome plating
4	Collar	Aluminum alloy	ø12 to ø40, Anodized
		Aluminum alloy casted	ø50, Chromated, Painted
5	Retaining ring	Carbon tool steel	Phosphate coated
6	Bushing	Bearing alloy	ø50
7	Return spring	Piano wire	Zinc chromated
8	Bronze element	Sintered metallic BC	Port size Rc1/8, 1/4
9	Retaining ring	Carbon tool steel	
10	Plug with fixed orifice	Alloy steel	Port size M5 x 0.8
11	Rod end nut	Carbon steel	Zinc chromated
12	Centering location ring	Aluminum alloy	ø20 to ø50, Anodized
13	One-touch fitting	—	ø32 to ø50
14	Piston seal	NBR	
15	Rod seal	NBR	
16	Gasket	NBR	
17	Magnet	—	

*1 For the spring extend type (Type T), the piston and piston rod are integrated (stainless steel). (Except ø12 and ø16 of built-in magnet type)

Replacement Parts/Seal Kit

Bore size [mm]	Single acting, Spring return	Single acting, Spring extend
12	CQ2B12-S-PS	CQ2B12-T-PS
16	CQ2B16-S-PS	CQ2B16-T-PS
20	CQ2B20-S-PS	CQ2B20-T-PS
25	CQ2B25-S-PS	CQ2B25-T-PS
32	CQ2B32-S-PS	CQ2B32-T-PS
40	CQ2B40-S-PS	CQ2B40-T-PS
50	CQ2B50-S-PS	CQ2B50-T-PS
Contents	⑭ only	Set of nos. ⑭, ⑮, ⑯

* Order the seal kit based on each bore size.

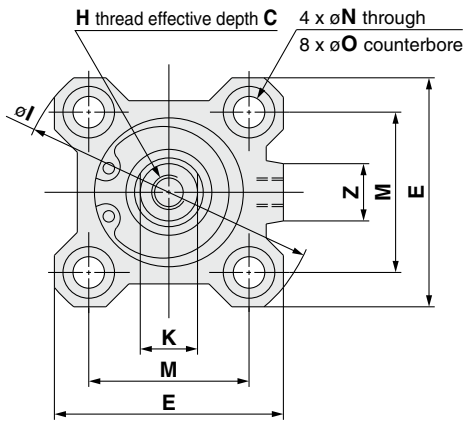
* The seal kit does not include a grease pack. Order it separately.

Grease pack part no.: GR-S-010 (10 g)

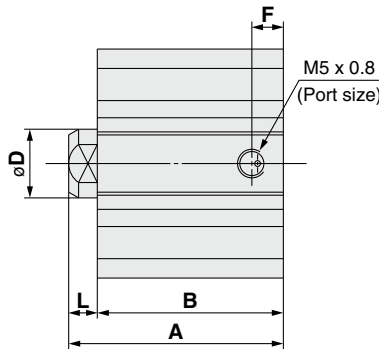
Bore Size

∅12 to ∅25 Spring Return/Extend: Without Auto Switch Magnet

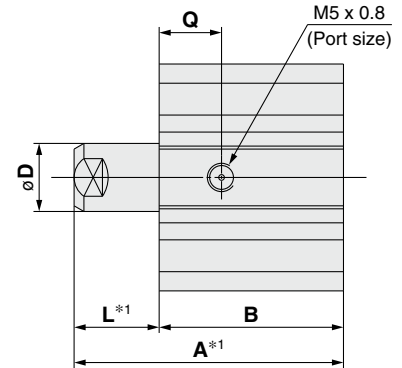
Through-hole: CQ2B□S/T



Spring return



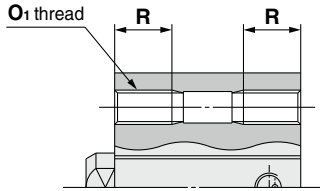
Spring extend



Bore size [mm]	Stroke [mm]	A		B	C	D	E	F	H	I	K	L		M	N	O	Q	Z
		Spring return	Spring extend									Spring return	Spring extend					
12	5	25.5	30.5	22	6	6	25	5	M3 x 0.5	32	5	3.5	8.5	15.5	3.5	6.5 depth 3.5	7.5	—
	10	30.5	40.5	27									13.5					
16	5	27	32	23.5	8	8	29	5.5	M4 x 0.7	38	6	3.5	8.5	20	3.5	6.5 depth 3.5	8	10
	10	32	42	28.5									13.5					
20	5	29	34	24.5	7	10	36	5.5	M5 x 0.8	47	8	4.5	9.5	25.5	5.5	9 depth 7	8	10
	10	34	44	29.5									14.5					
25	5	32.5	37.5	27.5	12	12	40	5.5	M6 x 1.0	52	10	5	10	28	5.5	9 depth 7	9	10
	10	37.5	47.5	32.5									15					

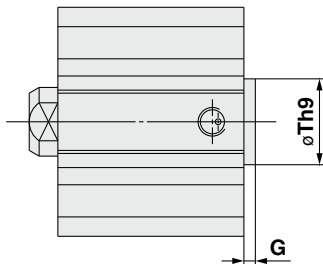
*1 For the spring extend type, the value refers to the length when the piston rod is extended due to spring force.
* For details on the rod end nut and accessory brackets ⇨ p. 34 to 36

Both ends tapped



Bore size [mm]	O1	R
12	M4 x 0.7	7
16	M4 x 0.7	7
20	M6 x 1.0	10
25	M6 x 1.0	10

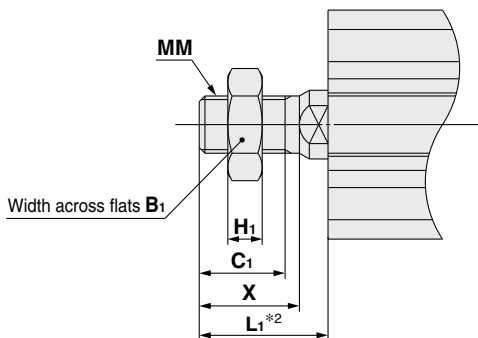
With boss on head end



Bore size [mm]	G	Th9
12	1.5	15 ⁰ _{-0.043}
16	1.5	20 ⁰ _{-0.052}
20	2	13 ⁰ _{-0.043}
25	2	15 ⁰ _{-0.043}

* With boss on rod end: Option (Suffix "-XC36" to the end of model number.)

Rod end male thread



Bore size [mm]	B1	C1	H1	L1			MM	X
				Spring return	Spring extend 5 st	Spring extend 10 st		
12	8	9	4	14	19	24	M5 x 0.8	10.5
16	10	10	5	15.5	20.5	25.5	M6 x 1.0	12
20	13	12	5	18.5	23.5	28.5	M8 x 1.25	14
25	17	15	6	22.5	27.5	32.5	M10 x 1.25	17.5

*2 For the spring extend type, the value refers to the length when the piston rod is extended due to spring force.

Dimensions of Each Mounting Bracket

The dimensions of each mounting bracket are the same as those of the standard type, double acting, single rod (except the configuration of the piston rod). Refer to pages 29 to 33.

Standard: CQ2, CQ2W, CQ2

Large Bore Size: CQ2, CQ2W

Anti-lateral Load: CQ2S, CQ2□S

Long Stroke: CQ2, CQ2K

Non-rotating Rod: CQ2KW, CQ2KW

Water Resistant: CQ2-RV, CQ2-RV, CQ2W-RV, CQ2W-RV

Axial Piping: CQP2, CQP2

With End Lock: CBQ2, CBQ2

Auto Switch: CQP2

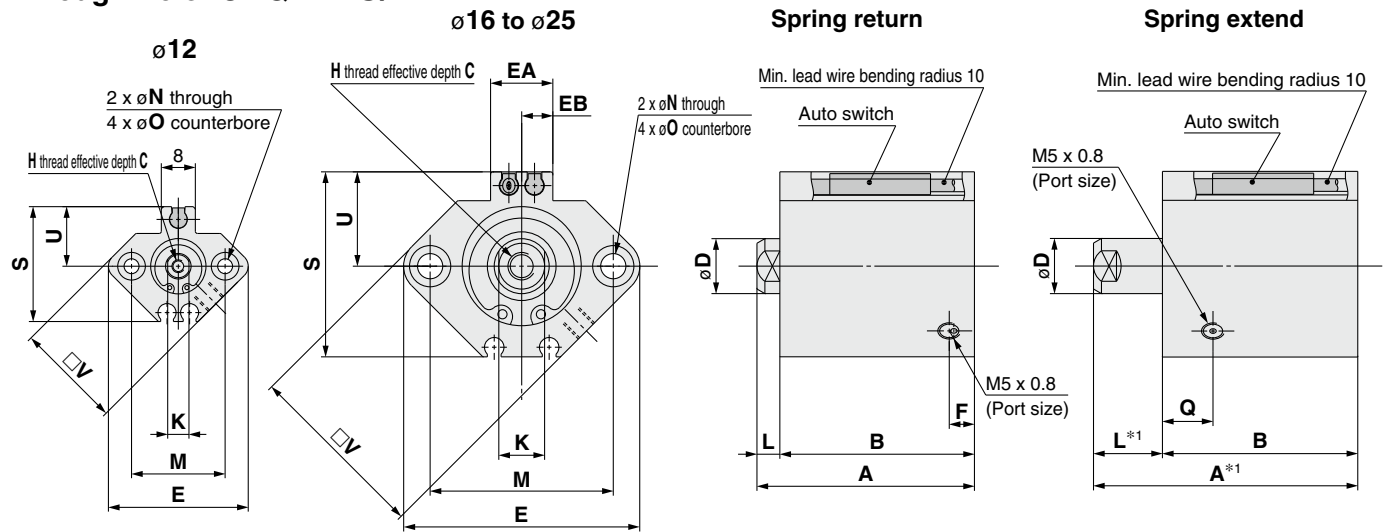
Made to Order: CQP2

CQ2 Series

Bore Size

∅12 to ∅25 Spring Return/Extend: With Auto Switch Magnet

Through-hole: CDQ2B□S/T



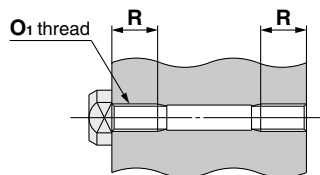
Bore size [mm]	Stroke [mm]	A		B		C	D	E	EA	EB	F	H	K	L		M	N	O	Q	S	U	V
		Spring return	Spring extend	Spring return	Spring extend									Spring return	Spring extend							
12	5	36.5	45.9	33	37.4	6	6	33	—	—	6.5	M3 x 0.5	5	3.5	8.5 13.5	22	3.5	6.5 depth 3.5	11	27.5	14	25
	10	41.5	55.9	38	42.4																	
16	5	39	44	35.5	35.5	8	8	37	13.2	6.6	5.5	M4 x 0.7	6	3.5	8.5 13.5	28	3.5	6.5 depth 3.5	10	29.5	15	29
	10	44	54	40.5	40.5																	
20	5	41	46	36.5	36.5	7	10	47	13.6	6.8	5.5	M5 x 0.8	8	4.5	9.5 14.5	36	5.5	9 depth 7	8	35.5	18	36
	10	46	56	41.5	41.5																	
25	5	42.5	47.5	37.5	37.5	12	12	52	13.6	6.8	5.5	M6 x 1.0	10	5	10 15	40	5.5	9 depth 7	9	40.5	21	40
	10	47.5	57.5	42.5	42.5																	

*1 For the spring extend type, the value refers to the length when the piston rod is extended due to spring force.

*2 For the auto switch proper mounting position and mounting height ⇨ p. 149 to 156

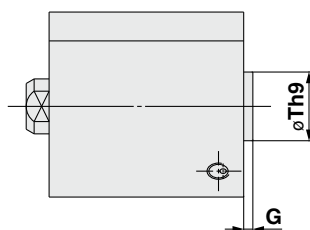
* For details on the rod end nut and accessory brackets ⇨ p. 34 to 36

Both ends tapped



Bore size [mm]	O ₁	R
12	M4 x 0.7	7
16	M4 x 0.7	7
20	M6 x 1.0	10
25	M6 x 1.0	10

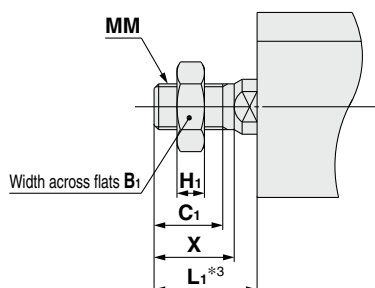
With boss on head end



Bore size [mm]	G	Th9
12	1.5	15 ⁰ _{-0.043}
16	1.5	20 ⁰ _{-0.052}
20	2	13 ⁰ _{-0.043}
25	2	15 ⁰ _{-0.043}

* With boss on rod end: Option (Suffix "-XC36" to the end of model number.)

Rod end male thread



Bore size [mm]	B ₁	C ₁	H ₁	L ₁		MM	X
				Spring return	Spring extend		
12	8	9	4	14	19	M5 x 0.8	10.5
16	10	10	5	15.5	20.5	M6 x 1.0	12
20	13	12	5	18.5	23.5	M8 x 1.25	14
25	17	15	6	22.5	27.5	M10 x 1.25	17.5

*3 For the spring extend type, the value refers to the length when the piston rod is extended due to spring force.

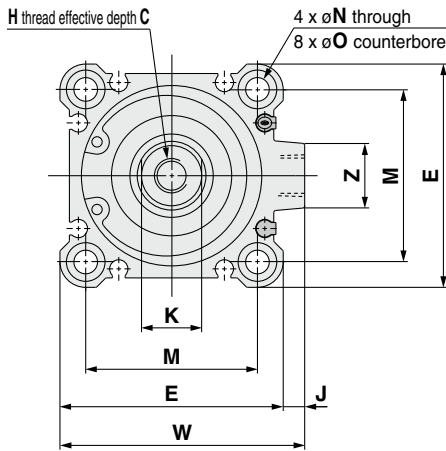
Dimensions of Each Mounting Bracket

The dimensions of each mounting bracket are the same as those of the standard type, double acting, single rod (except the configuration of the piston rod). Refer to pages 29 to 33.

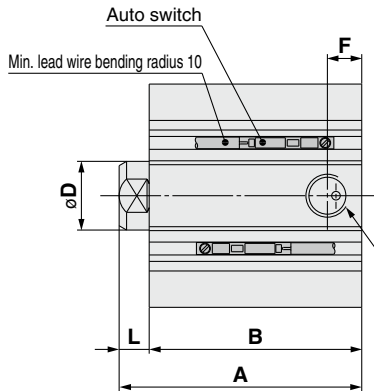
Bore Size

∅32 to ∅50 Spring Return/Extend: With/Without Auto Switch Magnet

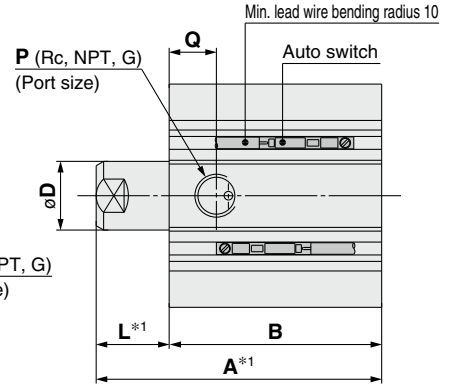
Through-hole: C□Q2B□S/T



Spring return



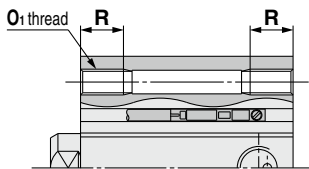
Spring extend



Bore size [mm]	Stroke [mm]	Without auto switch magnet					With auto switch magnet					C	D	E	H	J	K	L		M	N	O	Q	W	Z
		A		B	F	P	A		B	F	P							Spring return	Spring extend						
		Spring return	Spring extend				Spring return	Spring extend																	
32	5	35	40	28	5.5	M5 x 0.8	45	50	38	7.5	1/8	13	16	45	M8 x 1.25	4.5	14	7	12	34	5.5	9 depth 7	10	49.5	14
	10	40	50	33	7.5	1/8	50	60	43	7.5	1/8	13	16	52	M8 x 1.25	5	14	7	17	40	5.5	9 depth 7	12.5	57	15
40	5	41.5	46.5	34.5	7.5	1/8	51.5	56.5	44.5	7.5	1/8	13	16	52	M8 x 1.25	5	14	7	12	40	5.5	9 depth 7	12.5	57	15
	10	46.5	56.5	39.5			56.5	66.5	49.5										17						
50	10	48.5	58.5	40.5	10.5	1/4	58.5	68.5	50.5	10.5	1/4	15	20	64	M10 x 1.5	7	17	8	18	50	6.6	11 depth 8	10.5	71	19
	20	58.5	78.5	50.5			68.5	88.5	60.5										28						

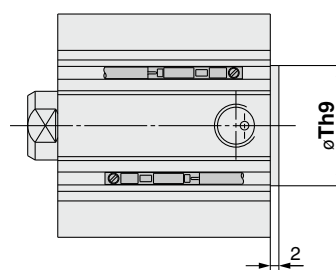
- *1 For the spring extend type, the value refers to the length when the piston rod is extended due to spring force.
- *2 The A, B dimensions of the ∅32-5 mm stroke with built-in One-touch fittings without auto switch magnet are the same as those of the ∅32-10 mm stroke without auto switch magnet.
- *3 For the auto switch proper mounting position and mounting height ⇨ p. 149 to 156
- * For details on the rod end nut and accessory brackets ⇨ p. 34 to 36

Both ends tapped



Bore size [mm]	O ₁	R
32	M6 x 1.0	10
40	M6 x 1.0	10
50	M8 x 1.25	14

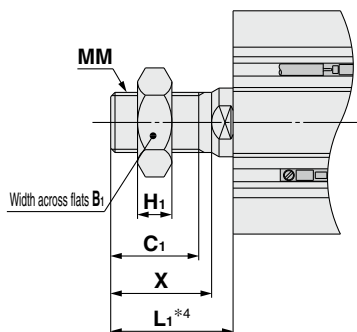
With boss on head end



Bore size [mm]	Th9
32	21 ^{+0.052}
40	28 ^{+0.052}
50	35 ^{+0.062}

* With boss on rod end: Option (Suffix "XC36" to the end of model number.)

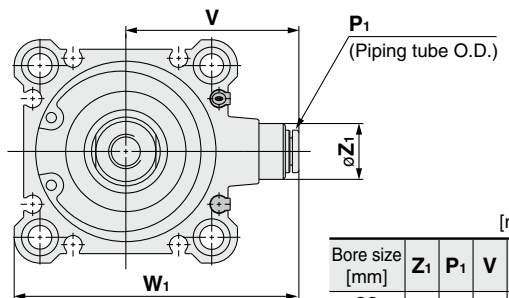
Rod end male thread



Bore size [mm]	B ₁	C ₁	H ₁	L ₁			MM	X	
				Spring return	Spring extend 5 st	Spring extend 10 st			Spring extend 20 st
32	22	20.5	8	28.5	33.5	38.5	—	M14 x 1.5	23.5
40	22	20.5	8	28.5	33.5	38.5	—	M14 x 1.5	23.5
50	27	26	11	33.5	—	43.5	53.5	M18 x 1.5	28.5

*4 For the spring extend type, the value refers to the length when the piston rod is extended due to spring force.

Built-in One-touch fittings*2



Bore size [mm]	Z ₁	P ₁	V	W ₁
32	13	6	36.5	59
40	13	6	40.5	66.5
50	16	8	50	82

Dimensions of Each Mounting Bracket

The dimensions of each mounting bracket are the same as those of the standard type, double acting, single rod (except the configuration of the piston rod). Refer to pages 29 to 33.

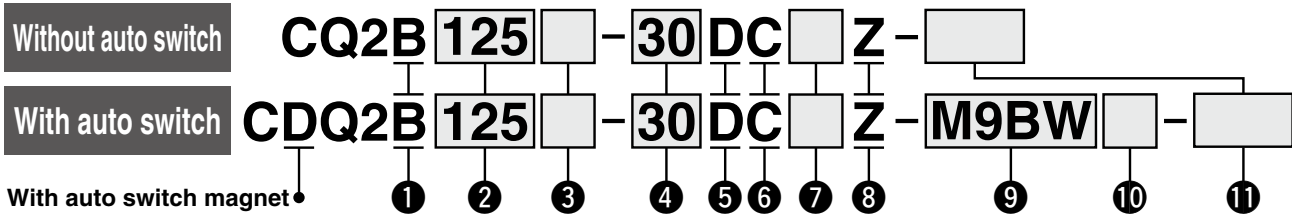
Standard
Double Acting, Single Rod **CQ2**
Double Acting, Double Rod **CQ2W**
Single Acting, Spring Return-Extend **CQ2**
Large Bore Size
Double Acting, Double Rod **CQ2**
Double Acting, Single Rod **CQ2W**
Anti-lateral Load
Double Acting, Single Rod **CQ2S**
Double Acting, Double Rod **CQ2**
Long Stroke
Double Acting, Single Rod **CQ2**
Double Acting, Double Rod **CQ2**
Non-rotating Rod
Double Acting, Single Rod **CQ2K**
Double Acting, Double Rod **CQ2KW**
Water Resistant
Double Acting, Single Rod **CQ2-RV**
Double Acting, Double Rod **CQ2W-RV**
Axial Piping
Single Acting, Single Rod **CQP2**
Single Acting, Spring Return-Extend **CQP2**
With End Lock
Double Acting, Single Rod **CBQ2**
Auto Switch
Made to Order

Compact Cylinder: Large Bore Size Double Acting, Single Rod

CQ2 Series

∅125, ∅140, ∅160, ∅180, ∅200

How to Order



1 Mounting

B Through-hole/both ends tapped

* A through-hole type mounting bolt is available as an option. For details ⇨ p. 64

2 Bore size

125	125 mm
140	140 mm
160	160 mm
180	180 mm
200	200 mm

3 Port thread type

Nil	Rc
TN	NPT
TF	G

4 Cylinder stroke

(For details on the minimum stroke for auto switch mounting ⇨ p. 145) [mm]

Bore size	Standard stroke
125, 140, 160	10, 20, 30, 40, 50, 75
180, 200	100, 125, 150, 175
	200, 250, 300

* For the manufacturing of intermediate strokes ⇨ p. 62

5 Action

D Double acting

6 Cushion

C Rubber bumper

7 Body option

Nil	Rod end female thread
M	Rod end male thread

8 Auto switch mounting groove

Z 4 surfaces

9 Auto switch

Nil Without auto switch

* For applicable auto switches, refer to the table below.

10 Number of auto switches

Nil	2
S	1
n	n

Cylinder Model with Auto Switch Magnet

If a cylinder with an auto switch magnet and without an auto switch is required, there is no need to enter the symbol for the auto switch. (Example) CDQ2B140-30DCZ

11 Made to order common specifications

For details ⇨ p. 62

For details on auto switch mounting ⇨ p. 149 to 165

- Auto Switch Proper Mounting Position (Detection at stroke end) and Mounting Height
- Minimum Stroke for Auto Switch Mounting
- Operating Range
- Auto Switch Mounting Brackets/Part Nos.

Applicable Auto Switches / Refer to the Web Catalog for further information on auto switches.

Type	Special function	Electrical entry	Indicator light	Wiring (Output)	Load voltage		Auto switch model		Lead wire length [m]					Pre-wired connector	Applicable load			
					DC	AC	Perpendicular	In-line	0.5 (Nil)	1 (M)	3 (L)	5 (Z)	None (N)					
Solid state auto switch	—	Grommet	Yes	3-wire (NPN)	24 V	5 V, 12 V	—	M9NV	M9N	●	●	●	○	—	○	IC circuit	Relay, PLC	
				3-wire (PNP)				M9PV	M9P	●	●	●	○	—	○			
				2-wire				M9BV	M9B	●	●	●	○	—	○			
				3-wire (NPN)				M9NWV	M9NW	●	●	●	○	—	○			
	Diagnostic indication (2-color indicator)			3-wire (PNP)				M9PWV	M9PW	●	●	●	○	—	○			IC circuit
				2-wire				M9BWV	M9BW	●	●	●	○	—	○			
	Water resistant (2-color indicator)			3-wire (NPN)				M9NAV*1	M9NA*1	○	○	●	○	—	○			IC circuit
				3-wire (PNP)				M9PAV*1	M9PA*1	○	○	●	○	—	○			
Magnetic field resistant (2-color indicator)	2-wire	M9BAV*1	M9BA*1	○	○	●	○	—	○	—								
	2-wire (Non-polar)	—	P3DWA	●	—	●	—	○	○									
Reed auto switch	—	Grommet	Yes	3-wire (NPN equivalent)	24 V	5 V, 12 V	100 V or less	A96V	A96	●	●	●	—	○	IC circuit	—		
				2-wire				A93V	A93	●	●	●	—	○*2			Relay, PLC	
				—				A90V	A90	●	●	●	—	○*2				

*1 Water-resistant type auto switches can be mounted on the above models, but SMC cannot guarantee water resistance.

Please contact SMC regarding water-resistant types with the above model numbers.

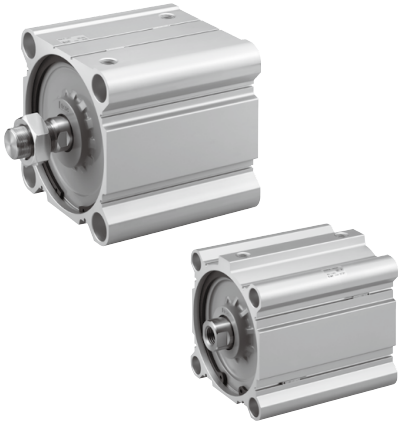
*2 The load voltage used is 24 VDC.

* Lead wire length symbols: 0.5 m Nil (Example) M9NW
 1 m M (Example) M9NWM
 3 m L (Example) M9NWL
 5 m Z (Example) M9NWZ

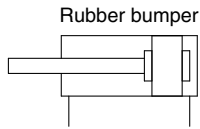
* Auto switches marked with a "○" are produced upon receipt of order.

* There are applicable auto switches other than those listed above. For details ⇨ p. 165

Compact Cylinder: Large Bore Size Double Acting, Single Rod **CQ2 Series**



Symbol



Made to Order Common Specifications (For details ⇨ p. 167 to 196)

Symbol	Specifications
-XA□	Change of rod end shape
-XB10	Intermediate stroke (Using exclusive body)
-XC85	Grease for food processing equipment
-X271	Fluororubber seals, ø125 to ø160 only

Specifications

Bore size [mm]	125	140	160	180	200
Action	Double acting, Single rod				
Fluid	Air				
Proof pressure	1.5 MPa			1.05 MPa	
Maximum operating pressure	1.0 MPa			0.7 MPa	
Minimum operating pressure	0.05 MPa				
Ambient and fluid temperatures	Without auto switch magnet: -10 to 70°C (No freezing) With auto switch magnet: -10 to 60°C				
Lubrication	Not required (Non-lube)				
Piston speed	50 to 500 mm/s			20 to 400 mm/s	
Cushion	Rubber bumper				
Allowable kinetic energy [J]	7.4	9.8	12.4		
Stroke length tolerance	+1.4 mm ⁺¹ 0				

*1 Stroke length tolerance does not include the amount of bumper change.

Manufacturing of Intermediate Strokes

Type	A spacer is installed in the standard stroke body.	Exclusive body (-XB10)
Part no.	Refer to "How to Order" for the standard model number. (⇨ p. 61)	Suffix "-XB10" to the end of standard model number. (⇨ p. 61)
Description	Strokes in 5 mm increments are available by installing a spacer in the standard stroke cylinder.	Strokes in 1 mm increments are available by using an exclusive body with the specified stroke.
Stroke range	5 to 295	11 to 299
Example	Part no.: CQ2B160-165DCZ CQ2B160-175DCZ with 10 mm width spacer inside The B dimension is 266 mm.	Part no.: CQ2B160-165DCZ-XB10 Makes 165 mm stroke tube. The B dimension is 256 mm.

⚠ Precautions

Refer to page 197 before handling the products.

Standard
Double Acting, Double Rod
CQ2W

Standard
Single Acting, Single Rod
CQ2

Large Bore Size
Double Acting, Single Rod
CQ2

Large Bore Size
Double Acting, Double Rod
CQ2W

Anti-lateral Load
Double Acting, Single Rod
CQ2□S

Long Stroke
Double Acting, Single Rod
CQ2

Non-rotating Rod
Double Acting, Double Rod
CQ2KW

Water Resistant
Double Acting, Double Rod
CQ2W-RV

Axial Piping
Double Acting, Single Rod
CQP2

Axial Piping
Single Acting, Single Rod
CQP2

With End Lock
Double Acting, Single Rod
CBQ2

Auto Switch

Made to Order

CQ2 Series

Allowable Kinetic Energy

Load Mass and Piston Speed

[J]

Bore size [mm]	125	140	160	180	200
Standard/ Allowable kinetic energy: Ea	7.4	9.8	12.4		

$$\text{Kinetic energy } E \text{ [J]} = \frac{(m1 + m2) V^2}{2}$$

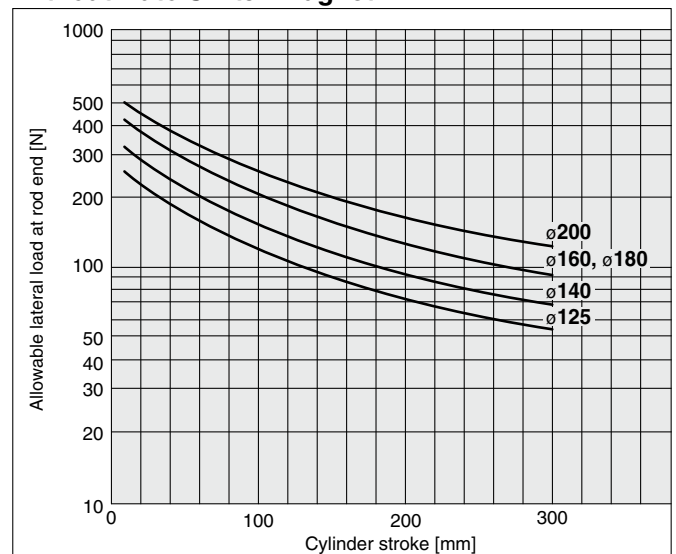
m1: Mass of cylinder movable parts [kg]

m2: Load mass [kg]

V: Piston speed [m/s]

Allowable Lateral Load at Rod End

Without Auto Switch Magnet



Mass of Cylinder Movable Parts: Without Auto Switch Magnet

[kg]

Bore size [mm]	Cylinder stroke [mm]													
	10	20	30	40	50	75	100	125	150	175	200	250	300	
125	1.25	1.34	1.42	1.5	1.58	1.77	1.97	2.17	2.37	2.57	2.77	3.17	3.57	
140	1.49	1.57	1.65	1.73	1.81	2.01	2.21	2.41	2.61	2.81	3.01	3.41	3.81	
160	1.98	2.08	2.18	2.27	2.37	2.61	2.86	3.1	3.34	3.59	3.83	4.31	4.8	
180	2.85	2.95	3.05	3.15	3.25	3.49	3.74	3.99	4.24	4.48	4.73	5.22	5.72	
200	3.31	3.41	3.51	3.61	3.71	3.96	4.2	4.45	4.7	4.94	5.19	5.69	6.18	

Mass of Cylinder Movable Parts: With Auto Switch Magnet

[kg]

Bore size [mm]	Cylinder stroke [mm]													
	10	20	30	40	50	75	100	125	150	175	200	250	300	
125	1.31	1.39	1.47	1.55	1.63	1.83	2.03	2.23	2.43	2.63	2.83	3.23	3.63	
140	1.56	1.64	1.72	1.8	1.88	2.08	2.28	2.48	2.68	2.88	3.08	3.48	3.88	
160	2.06	2.16	2.26	2.35	2.45	2.69	2.94	3.18	3.42	3.66	3.91	4.39	4.88	
180	2.93	3.03	3.13	3.23	3.33	3.57	3.82	4.07	4.32	4.56	4.81	5.3	5.8	
200	3.4	3.5	3.6	3.7	3.8	4.05	4.29	4.54	4.79	5.03	5.28	5.78	6.27	

Additional Mass of Cylinder Movable Parts

[kg]

Rod end male thread	Bore size [mm]	125	140	160, 180, 200
	Male thread		0.3	0.3
Nut		0.16	0.16	0.26

Calculation: (Example) **CDQ2B125-100DCMZ**

• Basic mass : CDQ2B125-100DCZ 2.03 kg

• Additional mass : Rod end male thread 0.46 kg

2.49 kg

Theoretical Output



[N]

Bore size [mm]	Operating direction	Operating pressure [MPa]		
		0.3	0.5	0.7
125	IN	3376	5627	7878
	OUT	3682	6136	8590
140	IN	4313	7188	10063
	OUT	4618	7697	10776
160	IN	5655	9425	13195
	OUT	6032	10053	14074
180	IN	7257	12095	16933
	OUT	7634	12724	17813
200	IN	9048	15080	21112
	OUT	9425	15708	21991

Weight

Without Auto Switch Magnet

[kg]

Bore size [mm]	Cylinder stroke [mm]												
	10	20	30	40	50	75	100	125	150	175	200	250	300
125	3.43	3.65	3.88	4.10	4.33	4.89	5.46	6.02	6.58	7.14	7.70	8.83	9.95
140	4.17	4.43	4.69	4.94	5.20	5.84	6.48	7.12	7.76	8.40	9.04	10.32	11.60
160	5.97	6.28	6.59	6.90	7.22	7.99	8.77	9.55	10.32	11.10	11.88	13.43	14.99
180	8.56	8.96	9.35	9.74	10.14	11.12	12.11	13.09	14.08	15.06	16.05	18.02	19.99
200	10.83	11.26	11.69	12.12	12.55	13.63	14.71	15.79	16.86	17.94	19.02	21.17	23.33

With Auto Switch Magnet

[kg]

Bore size [mm]	Cylinder stroke [mm]												
	10	20	30	40	50	75	100	125	150	175	200	250	300
125	3.49	3.71	3.94	4.16	4.39	4.95	5.51	6.08	6.64	7.20	7.76	8.89	10.01
140	4.24	4.50	4.75	5.01	5.27	5.91	6.55	7.19	7.83	8.47	9.11	10.39	11.67
160	6.05	6.36	6.67	6.98	7.30	8.07	8.85	9.63	10.40	11.18	11.96	13.51	15.07
180	8.64	9.04	9.43	9.82	10.22	11.20	12.19	13.17	14.16	15.14	16.13	18.10	20.07
200	10.92	11.35	11.78	12.21	12.64	13.72	14.80	15.88	16.95	18.03	19.11	21.26	23.42

Additional Weight

[kg]

Bore size [mm]		125	140	160 180 200
Rod end male thread	Male thread	0.31	0.31	0.48
	Nut	0.16	0.16	0.26

Calculation: (Example) **CDQ2B125-30DCMZ**

- Basic weight: CDQ2B125-30DCZ..... 3.94 kg
 - Additional weight: Rod end male thread... 0.47 kg
- 4.41 kg

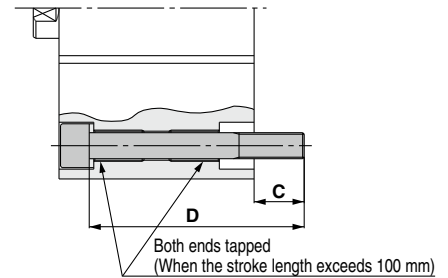
Through-hole Type Mounting Bolt for the CDQ2

Mounting bolt for the through-hole mounting of the C(D)Q2B is available as an option. Refer to the following for ordering procedures. Order the actual number of bolts that will be used.

Example) CQ-M12 x 100L 4 pcs.

- * To install a through-hole type mounting bolt, make sure to use the flat washer that is provided.
- * Mounting bolts for stroke lengths exceeding 100 mm are not available. Secure the cylinder with both ends of the cylinder tube tapped or prepare mounting bolts separately.

Type: Hexagon socket head cap screw
Material: Chromium molybdenum steel
Surface treatment: Zinc chromated



Cylinder model	C	D	Mounting bolt part no.
CDQ2B125/140-10DCZ	22.9	100	CQ-M12 x 100L
-20DCZ		110	x 110L
-30DCZ		120	x 120L
-40DCZ		130	x 130L
-50DCZ		140	x 140L
-75DCZ		165	x 165L
-100DCZ		190	x 190L
CDQ2B160-10DCZ	27.7	110	CQ-M14 x 110L
-20DCZ		120	x 120L
-30DCZ		130	x 130L
-40DCZ		140	x 140L
-50DCZ		150	x 150L
-75DCZ		175	x 175L
-100DCZ		200	x 200L

Cylinder model	C	D	Mounting bolt part no.
CDQ2B180-10DCZ	36	125	CQ-M18 x 125L
-20DCZ		135	x 135L
-30DCZ		145	x 145L
-40DCZ		155	x 155L
-50DCZ		165	x 165L
-75DCZ	190	x 190L	
-100DCZ	215	x 215L	
CDQ2B200-10DCZ	39	135	CQ-M18 x 135L
-20DCZ		145	x 145L
-30DCZ		155	x 155L
-40DCZ		165	x 165L
-50DCZ		175	x 175L
-75DCZ		200	x 200L
-100DCZ		225	x 225L

Standard Double Acting, Single Rod **CQ2**

Standard Double Acting, Double Rod **CQ2W**

Single Acting, Spring Return, Single Rod **CQ2**

Single Acting, Spring Return, Double Rod **CQ2W**

Large Bore Size Double Acting, Single Rod **CQ2**

Large Bore Size Double Acting, Double Rod **CQ2W**

Anti-lateral Load Double Acting, Single Rod **CQ2**

Anti-lateral Load Double Acting, Double Rod **CQ2S**

Long Stroke Double Acting, Single Rod **CQ2**

Long Stroke Double Acting, Double Rod **CQ2W**

Non-rotating Rod Double Acting, Single Rod **CQ2K**

Non-rotating Rod Double Acting, Double Rod **CQ2KW**

Water Resistant Double Acting, Single Rod **CQ2-RV**

Water Resistant Double Acting, Double Rod **CQ2W-RV**

Axial Piping Single Acting, Spring Return, Single Rod **CQP2**

Axial Piping Single Acting, Spring Return, Double Rod **CQP2**

With End Lock Double Acting, Single Rod **CBQ2**

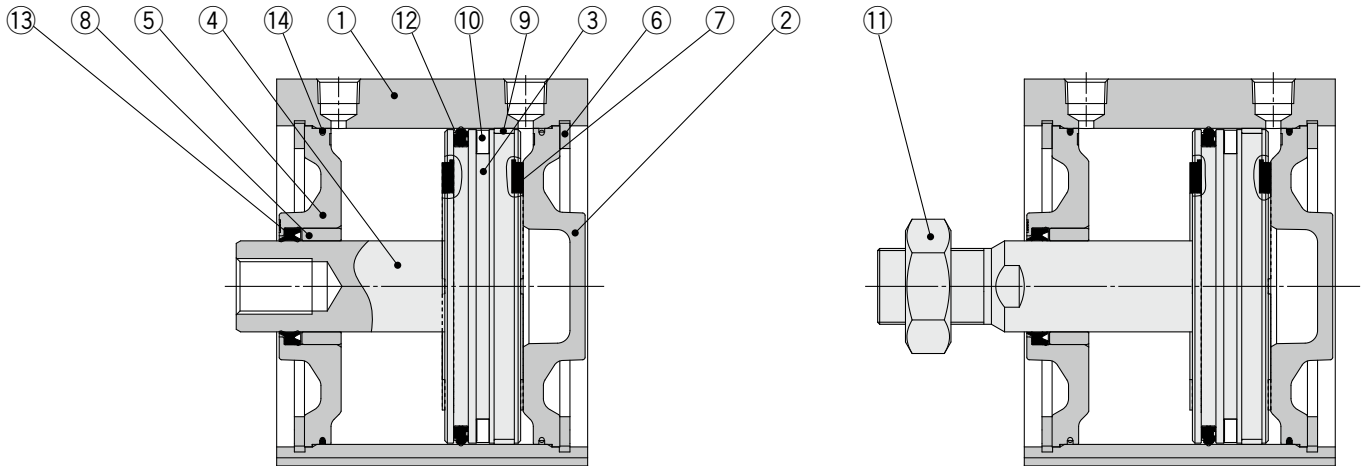
Auto Switch

Made to Order

CQ2 Series

Construction

Rod end male thread



Component Parts

No.	Description	Material	Note
1	Cylinder tube	Aluminum alloy	Hard anodized
2	Head cover	Aluminum alloy casted	Chromated, Painted
3	Piston	Aluminum alloy	
4	Piston rod	Carbon steel	Hard chrome plating
5	Rod cover	Aluminum alloy casted	Chromated, Painted
6	Retaining ring	Carbon tool steel	Phosphate coated
7	Bumper	Urethane	
8	Bushing	Bearing alloy	
9	Wear ring	Resin	
10	Magnet	—	For CDQ2B□ only
11	Rod end nut	Carbon steel	Nickel plating
12	Piston seal	NBR	
13	Rod seal	NBR	
14	Tube gasket	NBR	

Replacement Parts/Seal Kit

Bore size [mm]	Kit no.	Contents
125	CQ2B125-PS	Set of nos. ⑫, ⑬, ⑭
140	CQ2B140-PS	
160	CQ2B160-PS	
180	CQ2B180-PS	
200	CQ2B200-PS	

* Seal kit includes ⑫, ⑬, ⑭. Order the seal kit based on each bore size.

* The seal kit does not include a grease pack. Order it separately.

Grease pack part no.: GR-S-010 (10 g)

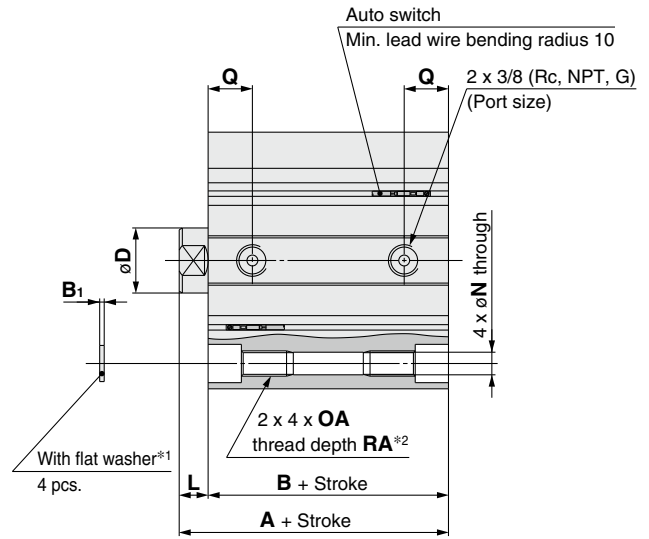
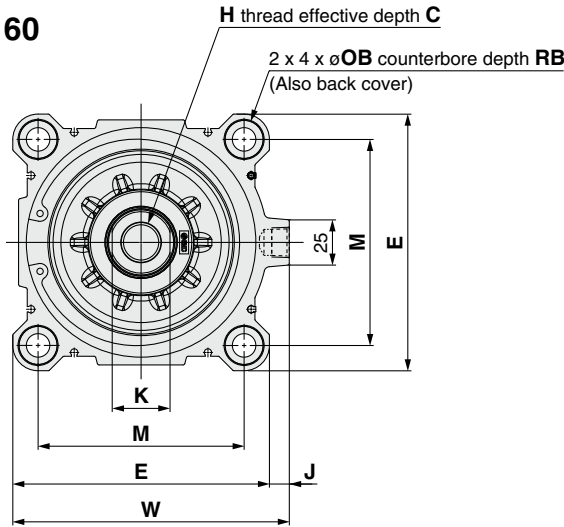
Bore Size

Ø125 to Ø200

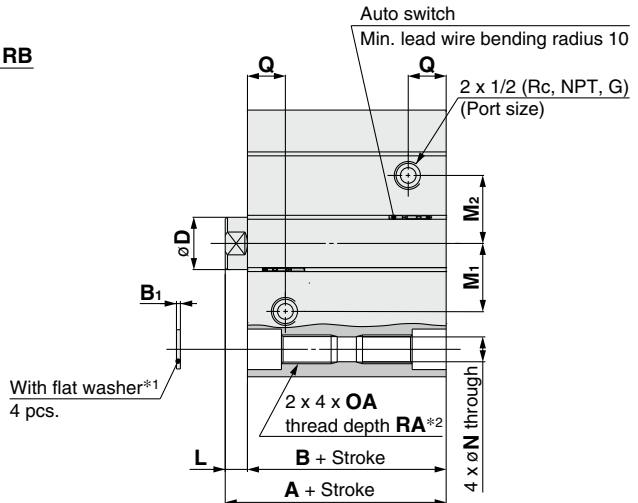
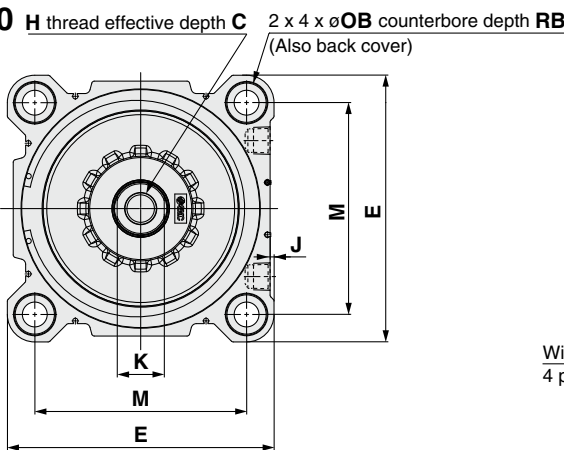
Through-hole: C□Q2B

The dimensions are the same with or without an auto switch magnet.

Ø125 to Ø160



Ø180, Ø200

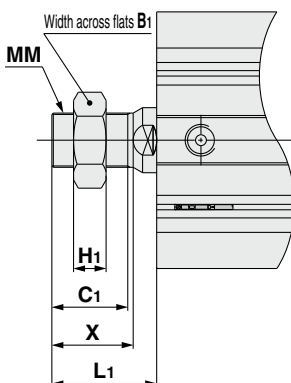


Bore size [mm]	Standard stroke range	A	B	B ₁	C	D	E	H	J	K	L	M	M ₁	M ₂	N	OA	OB	Q	RA	RB	W
125		99	83	2.5	30	36	142	M22 x 2.5	11	32	16	114	—	—	12.5	M14 x 2	21.2	24.5	25	18.4	153
140	10, 20, 30, 40, 50	99	83	2.5	30	36	158	M22 x 2.5	10	32	16	128	—	—	12.5	M14 x 2	21.2	24.5	25	18.4	168
160	75, 100, 125, 150	108	91	2.5	33	40	178	M24 x 3	10	36	17	144	—	—	14.5	M16 x 2	24.2	27.5	28	21.2	188
180	175, 200, 250, 300	119	102	3	33	40	204	M24 x 3	3	36	17	162	52	52	19	M22 x 2.5	31.5	29	38	26	—
200		126	109	3	33	40	226	M24 x 3	7.1	36	17	182	62	62	19	M22 x 2.5	31.5	30	38	26	—

*1 Be sure to use the attached flat washer for mounting cylinder with through-holes.

*2 For sizes Ø125 to Ø160 with a stroke of 10 mm or less, and for sizes Ø180 and Ø200 with a stroke of 20 mm or less, the product comes with an OA through thread.

Rod end male thread



Bore size [mm]	B ₁	C ₁	H ₁	L ₁	MM	X
125	46	42	18	58	M30 x 1.5	45
140	46	42	18	58	M30 x 1.5	45
160	55	47	21	64	M36 x 1.5	50
180	55	47	21	64	M36 x 1.5	50
200	55	47	21	64	M36 x 1.5	50

* For details on the rod end nut ⇒ p. 34

Standard	Double Acting, Single Rod	CQ2
Standard	Double Acting, Double Rod	CQ2W
Standard	Single Acting, Spring Return, End	CQ2
Standard	Single Acting, Spring Return, End	CQ2
Large Bore Size	Double Acting, Single Rod	CQ2
Large Bore Size	Double Acting, Double Rod	CQ2W
Anti-lateral Load	Double Acting, Single Rod	CQ2□S
Anti-lateral Load	Double Acting, Double Rod	CQ2□S
Long Stroke	Double Acting, Single Rod	CQ2
Long Stroke	Double Acting, Double Rod	CQ2
Non-rotating Rod	Double Acting, Single Rod	CQ2K
Non-rotating Rod	Double Acting, Double Rod	CQ2KW
Water Resistant	Double Acting, Single Rod	CQ2-RV
Water Resistant	Double Acting, Double Rod	CQ2W-RV
Axial Piping	Double Acting, Single Rod	CQP2
Axial Piping	Double Acting, Double Rod	CQP2
With End Lock	Double Acting, Single Rod	CBQ2
With End Lock	Double Acting, Double Rod	CBQ2
Auto Switch	Double Acting, Single Rod	CQ2
Auto Switch	Double Acting, Double Rod	CQ2W
Made to Order	Double Acting, Single Rod	CQ2
Made to Order	Double Acting, Double Rod	CQ2W

Compact Cylinder: Large Bore Size Double Acting, Double Rod

CQ2W Series

∅125, ∅140, ∅160, ∅180, ∅200

How to Order

Without auto switch

CQ2WB 125 [] - 30 DC [] Z - []

With auto switch

CDQ2WB 125 [] - 30 DC [] Z - M9BW [] - []

With auto switch magnet

① ② ③ ④ ⑤ ⑥ ⑦ ⑧ ⑨ ⑩ ⑪ ⑫

① Type

W	Double rod
---	------------

② Mounting

B	Through-hole/both ends tapped
---	-------------------------------

* A through-hole type mounting bolt is available as an option. For details ⇨ p. 70

③ Bore size

125	125 mm
140	140 mm
160	160 mm
180	180 mm
200	200 mm

④ Port thread type

Nil	Rc
TN	NPT
TF	G

⑤ Cylinder stroke (For details on the minimum stroke for auto switch mounting ⇨ p. 157) [mm]

Bore size	Standard stroke
125, 140, 160	10, 20, 30, 40, 50, 75, 100, 125
180, 200	150, 175, 200, 250, 300

* For the manufacturing of intermediate strokes ⇨ p. 68

⑥ Action

D	Double acting
---	---------------

⑧ Body option

Nil	Rod end female thread
M	Rod end male thread

⑨ Auto switch mounting groove

Z	4 surfaces
---	------------

⑩ Auto switch

Nil	Without auto switch
-----	---------------------

* For applicable auto switches, refer to the table below.

⑪ Number of auto switches

Nil	2
S	1
n	n

⑫ Made to order common specifications

For details ⇨ p. 68

Cylinder Model with Auto Switch Magnet

If a cylinder with an auto switch magnet and without an auto switch is required, there is no need to enter the symbol for the auto switch. (Example) CDQ2WB140-30DCZ

For details on auto switch mounting ⇨ p. 149 to 165

- Auto Switch Proper Mounting Position (Detection at stroke end) and Mounting Height
- Minimum Stroke for Auto Switch Mounting
- Operating Range
- Auto Switch Mounting Brackets/Part Nos.

Applicable Auto Switches / Refer to the Web Catalog for further information on auto switches.

Type	Special function	Electrical entry	Indicator light	Wiring (Output)	Load voltage		Auto switch model		Lead wire length [m]					Pre-wired connector	Applicable load			
					DC	AC	Perpendicular	In-line	0.5 (Nil)	1 (M)	3 (L)	5 (Z)	None (N)					
Solid state auto switch	—	Grommet	Yes	3-wire (NPN)	24 V	5 V, 12 V	—	M9NV	M9N	●	●	●	○	—	○	IC circuit	Relay, PLC	
				3-wire (PNP)				M9PV	M9P	●	●	●	○	—	○			
				2-wire				M9BV	M9B	●	●	●	○	—	○			
				3-wire (NPN)				M9NWV	M9NW	●	●	●	○	—	○			
	Diagnostic indication (2-color indicator)			3-wire (PNP)				M9PWV	M9PW	●	●	●	○	—	○			IC circuit
				2-wire				M9B WV	M9B W	●	●	●	○	—	○			
	Water resistant (2-color indicator)			3-wire (NPN)				M9NAV*1	M9NA*1	○	○	●	○	—	○			IC circuit
				3-wire (PNP)				M9PAV*1	M9PA*1	○	○	●	○	—	○			
Magnetic field resistant (2-color indicator)	2-wire	M9BAV*1	M9BA*1	○	○	●	○	—	○	—								
	2-wire (Non-polar)	—	P3DWA	●	—	●	—	○	○									
Reed auto switch	—	Grommet	Yes	3-wire (NPN equivalent)	24 V	5 V, 12 V	100 V or less	A96V	A96	●	●	●	—	○	IC circuit	—		
				2-wire				A93V	A93	●	●	●	—	○*2				
				—				A90V	A90	●	●	●	—	○*2				

*1 Water-resistant type auto switches can be mounted on the above models, but SMC cannot guarantee water resistance.

Please contact SMC regarding water-resistant types with the above model numbers.

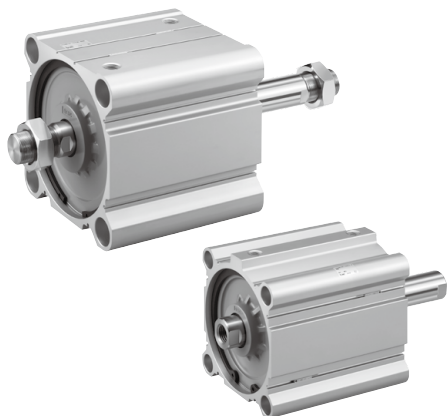
*2 The load voltage used is 24 VDC.

* Lead wire length symbols: 0.5 m Nil (Example) M9NW
1 m M (Example) M9NWM
3 m L (Example) M9NWL
5 m Z (Example) M9NWZ

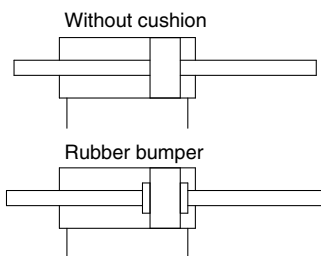
* Auto switches marked with a "○" are produced upon receipt of order.

* There are applicable auto switches other than those listed above. For details ⇨ p. 165

Compact Cylinder: Large Bore Size Double Acting, Double Rod **CQ2W Series**



Symbol



Made to Order Common Specifications (For details ⇨ p. 167 to 196)

Symbol	Specifications
-XA□	Change of rod end shape
-XB10	Intermediate stroke (Exclusive body type)
-XC85	Grease for food processing equipment
-X235	Special rod end for double rod cylinder
-X271	Fluororubber seals, ø125 to ø160 only
-X633	Intermediate stroke for double rod cylinder

* -X633: Intermediate stroke in 5 mm increments only

Specifications

Bore size [mm]	125	140	160	180	200
Action	Double acting, Double rod				
Fluid	Air				
Proof pressure	1.5 MPa			1.05 MPa	
Maximum operating pressure	1.0 MPa			0.7 MPa	
Minimum operating pressure	0.05 MPa				
Ambient and fluid temperatures	Without auto switch magnet: -10 to 70°C (No freezing) With auto switch magnet: -10 to 60°C				
Lubrication	Not required (Non-lube)				
Piston speed	50 to 500 mm/s			20 to 400 mm/s	
Cushion	Rubber bumper				
Allowable kinetic energy [J]	7.4	9.8	12.4		
Stroke length tolerance	+1.4 mm ^{*1} 0				

*1 Stroke length tolerance does not include the amount of bumper change.

Manufacturing of Intermediate Strokes

Type	A spacer is installed in the standard stroke body.	Exclusive body (-XB10)
Part no.	Suffix "-X633" to the end of standard model number. (⇨ p. 67)	Suffix "-XB10" to the end of standard model number. (⇨ p. 67)
Description	Strokes in 5 mm increments are available by installing a spacer in the standard stroke cylinder.	Strokes in 1 mm increments are available by using an exclusive body with the specified stroke.
Stroke range	15 to 295	11 to 299
Example	Part no.: CQ2WB160-165DCZ-X633 CQ2WB160-175DCZ with 10 mm width spacer inside The B dimension is 266 mm.	Part no.: CQ2WB160-165DCZ-XB10 Makes 165 mm stroke tube. The B dimension is 256 mm.

⚠ Precautions

Refer to pages 197 and 198 before handling the products.

Standard	Double Acting, Double Rod	CQ2W
Standard	Double Acting, Single Rod	CQ2
Standard	Single Acting, Spring Return, Double Rod	CQ2
Standard	Single Acting, Spring Return, Single Rod	CQ2
Large Bore Size	Double Acting, Double Rod	CQ2W
Large Bore Size	Double Acting, Single Rod	CQ2
Anti-lateral Load	Double Acting, Single Rod	CQ2□S
Long Stroke	Double Acting, Single Rod	CQ2
Long Stroke	Double Acting, Double Rod	CQ2K
Non-rotating Rod	Double Acting, Double Rod	CQ2KW
Water Resistant	Double Acting, Single Rod	CQ2-RV
Water Resistant	Double Acting, Double Rod	CQ2W-RV
Axial Piping	Double Acting, Single Rod	CQP2
Axial Piping	Single Acting, Spring Return, Double Rod	CQP2
With End Lock	Double Acting, Single Rod	CBQ2
Auto Switch		Auto Switch
Made to Order		Made to Order

CQ2W Series

Allowable Kinetic Energy

Load Mass and Piston Speed

[J]

Bore size [mm]	125	140	160	180	200
Standard/ Allowable kinetic energy: Ea	7.4	9.8	12.4		

$$\text{Kinetic energy } E \text{ [J]} = \frac{(m1 + m2) V^2}{2}$$

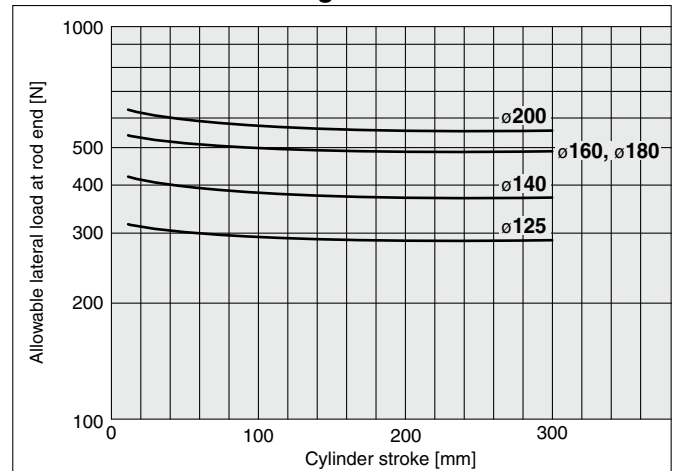
m1: Mass of cylinder movable parts [kg]

m2: Load mass [kg]

V: Piston speed [m/s]

Allowable Lateral Load at Rod End

Without Auto Switch Magnet



Mass of Cylinder Movable Parts: Without Auto Switch Magnet

[kg]

Bore size [mm]	Cylinder stroke [mm]													
	10	20	30	40	50	75	100	125	150	175	200	250	300	
125	1.58	1.71	1.85	2.01	2.17	2.57	2.96	3.36	3.76	4.16	4.56	5.36	6.15	
140	1.82	1.95	2.08	2.24	2.4	2.8	3.2	3.6	3.99	4.39	4.79	5.59	6.38	
160	2.42	2.58	2.75	2.94	3.14	3.63	4.12	4.61	5.1	5.58	6.07	7.05	8.03	
180	3.96	4.12	4.23	4.43	4.63	4.97	5.47	5.96	6.46	6.95	7.83	8.43	9.42	
200	4.75	4.91	5.02	5.22	5.42	5.76	6.26	6.75	7.25	7.74	8.62	9.22	10.2	

Mass of Cylinder Movable Parts: With Auto Switch Magnet

[kg]

Bore size [mm]	Cylinder stroke [mm]													
	10	20	30	40	50	75	100	125	150	175	200	250	300	
125	1.65	1.77	1.91	2.07	2.23	2.63	3.03	3.42	3.82	4.22	4.62	5.42	6.21	
140	1.88	2.01	2.15	2.31	2.47	2.87	3.26	3.66	4.06	4.46	4.86	5.66	6.45	
160	2.5	2.65	2.82	3.02	3.22	3.71	4.2	4.68	5.17	5.66	6.15	7.13	8.11	
180	4.04	4.2	4.31	4.51	4.71	5.05	5.55	6.04	6.54	7.03	7.91	8.51	9.5	
200	4.84	5	5.11	5.31	5.51	5.85	6.35	6.84	7.34	7.83	8.71	9.31	10.3	

Additional Mass of Cylinder Movable Parts

[kg]

Bore size [mm]		125	140	160, 180, 200
Rod end male thread	Male thread	0.62	0.62	0.96
	Nut	0.32	0.32	0.52

Calculation: (Example) **CDQ2WB125-100DCMZ**

• Basic mass : CDQ2WB125-100DCZ 3.03 kg

• Additional mass : Rod end male thread 0.94 kg

3.97 kg

Theoretical Output

[N]

Bore size [mm]	Operating pressure [MPa]		
	0.3	0.5	0.7
125	3376	5627	7878
140	4313	7188	10063
160	5655	9425	13195
180	7257	12095	16933
200	9048	15080	21112

Weight

Without Auto Switch Magnet

Bore size [mm]	Cylinder stroke [mm]												
	10	20	30	40	50	75	100	125	150	175	200	250	300
125	3.81	4.10	4.40	4.70	4.98	5.75	6.50	7.25	8.00	8.75	9.50	11.00	12.50
140	4.56	4.88	5.21	5.54	5.85	6.69	7.53	8.34	9.17	9.99	10.82	12.47	14.12
160	6.49	6.88	7.28	7.68	8.07	9.09	10.11	11.11	12.12	13.12	14.13	16.15	18.16
180	9.10	9.58	10.07	10.55	11.03	12.26	13.49	14.69	15.91	17.13	18.34	20.78	23.21
200	11.42	11.93	12.48	13.03	13.51	14.83	16.15	17.47	18.80	20.12	21.44	24.09	26.73

With Auto Switch Magnet

Bore size [mm]	Cylinder stroke [mm]												
	10	20	30	40	50	75	100	125	150	175	200	250	300
125	3.87	4.16	4.46	4.76	5.04	5.81	6.56	7.31	8.06	8.81	9.56	11.06	12.56
140	4.62	4.94	5.27	5.60	5.92	6.76	7.59	8.41	9.23	10.06	10.88	12.53	14.18
160	6.57	6.96	7.36	7.76	8.15	9.17	10.19	11.19	12.20	13.20	14.21	16.23	18.24
180	9.18	9.66	10.15	10.63	11.11	12.34	13.57	14.77	15.99	17.21	18.42	20.86	23.29
200	11.51	12.02	12.57	13.12	13.60	14.92	16.24	17.56	18.89	20.21	21.53	24.18	26.82

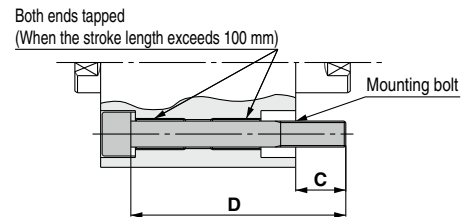
Through-hole Type Mounting Bolt for the CDQ2W

Mounting bolt for the through-hole mounting of the C(D)Q2WB is available as an option. Refer to the following for ordering procedures. Order the actual number of bolts that will be used.

Example) CQ-M12 x 100L 4 pcs.

- * To install a through-hole type mounting bolt, make sure to use the flat washer that is provided.
- * Mounting bolts for stroke lengths exceeding 100 mm are not available. Secure the cylinder with both ends of the cylinder tube tapped or prepare mounting bolts separately.

Type: Hexagon socket head cap screw
Material: Chromium molybdenum steel
Surface treatment: Zinc chromated



Cylinder model	C	D	Mounting bolt part no.
CDQ2WB125/140-10DCZ	22.9	100	CQ-M12 x 100L
-20DCZ		110	x 110L
-30DCZ		120	x 120L
-40DCZ		130	x 130L
-50DCZ		140	x 140L
-75DCZ		165	x 165L
-100DCZ		190	x 190L
CDQ2WB160-10DCZ	27.7	110	CQ-M14 x 110L
-20DCZ		120	x 120L
-30DCZ		130	x 130L
-40DCZ		140	x 140L
-50DCZ		150	x 150L
-75DCZ		175	x 175L
-100DCZ		200	x 200L

Cylinder model	C	D	Mounting bolt part no.
CDQ2WB180-10DCZ	36	125	CQ-M18 x 125L
-20DCZ		135	x 135L
-30DCZ		145	x 145L
-40DCZ		155	x 155L
-50DCZ		165	x 165L
-75DCZ		190	x 190L
-100DCZ		215	x 215L
CDQ2WB200-10DCZ	39	135	CQ-M18 x 135L
-20DCZ		145	x 145L
-30DCZ		155	x 155L
-40DCZ		165	x 165L
-50DCZ		175	x 175L
-75DCZ		200	x 200L
-100DCZ		225	x 225L

Additional Weight

Bore size [mm]	Additional Weight [kg]		
	125	140	160 180 200
Rod end male thread	Male thread	0.62	0.62
	Nut	0.32	0.32

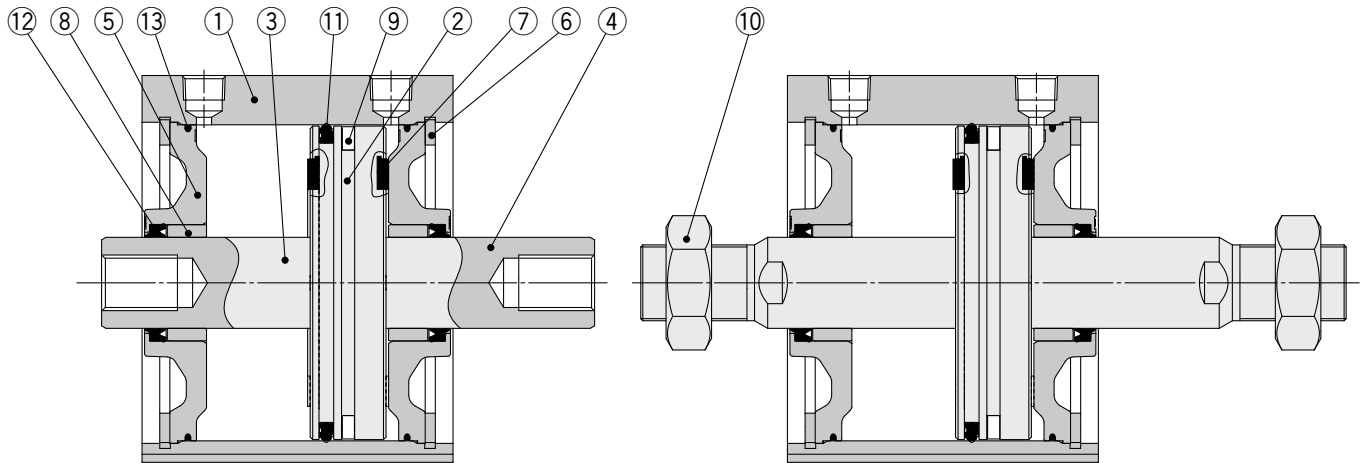
Calculation: (Example) **CDQ2WB125-30DCMZ**
 • Basic weight: CDQ2WB125-30DCZ4.46 kg
 • Additional weight: Rod end male thread0.94 kg
 5.4 kg

Standard Double Acting, Single Rod **CQ2**
 Standard Double Acting, Double Rod **CQ2W**
 Single Acting, Spring Return, End **CQ2**
 Large Bore Size Double Acting, Double Rod **CQ2W**
 Anti-lateral Load Double Acting, Single Rod **CQ2S**
 Long Stroke Double Acting, Single Rod **CQ2**
 Non-rotating Rod Double Acting, Single Rod **CQ2K**
 Non-rotating Rod Double Acting, Double Rod **CQ2KW**
 Water Resistant Double Acting, Single Rod **CQ2-RV**
 Water Resistant Double Acting, Double Rod **CQ2W-RV**
 Axial Piping Single Acting, Single Rod **CQP2**
 Axial Piping Single Acting, Spring Return, End **CQP2**
 With End Lock Double Acting, Single Rod **CBQ2**
 Auto Switch
 Made to Order

CQ2W Series

Construction

Rod end male thread



Component Parts

No.	Description	Material	Note
1	Cylinder tube	Aluminum alloy	Hard anodized
2	Piston	Aluminum alloy	
3	Piston rod A	Carbon steel	Hard chrome plating
4	Piston rod B	Carbon steel	Hard chrome plating
5	Rod cover	Aluminum alloy casted	Chromated, Painted
6	Retaining ring	Carbon tool steel	Phosphate coated
7	Bumper	Urethane	
8	Bushing	Bearing alloy	
9	Magnet	—	For CDQ2WB□ only
10	Rod end nut	Carbon steel	Nickel plating
11	Piston seal	NBR	
12	Rod seal	NBR	
13	Tube gasket	NBR	
14	Piston gasket	NBR	

Replacement Parts/Seal Kit

Bore size [mm]	Kit no.	Contents
125	CQ2WB125-PS	Set of nos. ⑪, ⑫, ⑬
140	CQ2WB140-PS	
160	CQ2WB160-PS	
180	CQ2WB180-PS	
200	CQ2WB200-PS	

* Seal kit includes ⑪, ⑫, ⑬. Order the seal kit based on each bore size.

* The seal kit does not include a grease pack. Order it separately.

Grease pack part no.: GR-S-010 (10 g)

Compact Cylinder: Large Bore Size **CQ2W Series**

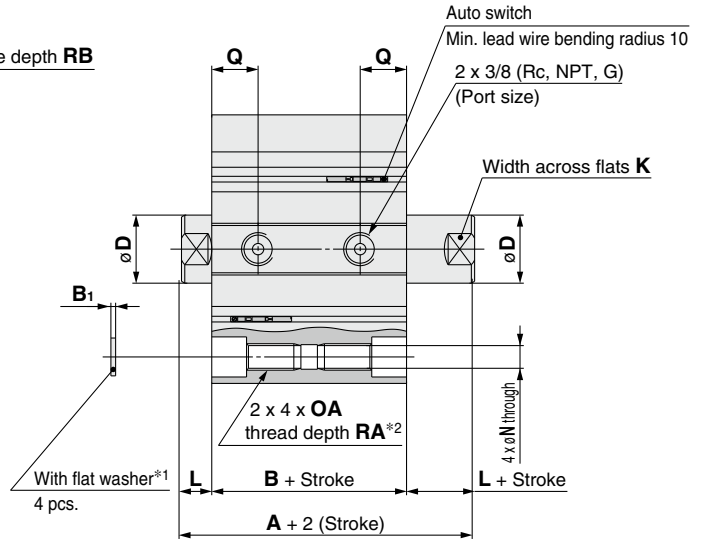
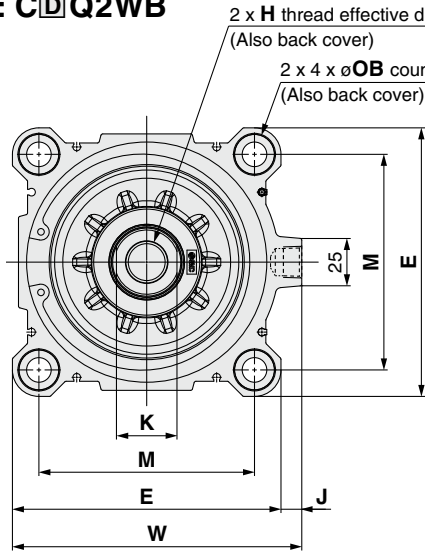
Bore Size

∅125 to ∅200

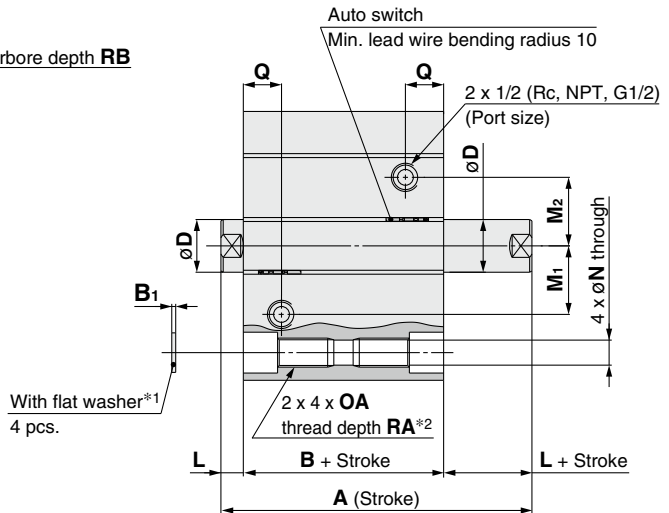
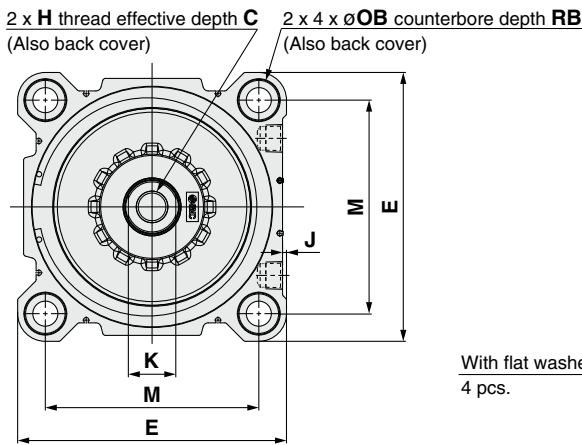
The dimensions are the same with or without an auto switch magnet.

Through-hole: **C□Q2WB**

∅125 to ∅160



∅180, ∅200



Bore size [mm]	Standard stroke range	A	B	B ₁	C* ³	D	E	H	J	K	L	M	M ₁	M ₂	N	OA	OB	Q	RA	RB	W
125	10, 20, 30, 40, 50 75, 100, 125, 150 175, 200, 250, 300	115	83	2.5	30 (22.5)	36	142	M22 x 2.5	11	32	16	114	—	—	12.5	M14 x 2	21.2	24.5	25	18.4	153
140		115	83	2.5	30 (22.5)	36	158	M22 x 2.5	10	32	16	128	—	—	12.5	M14 x 2	21.2	24.5	25	18.4	168
160		125	91	2.5	33 (26.5)	40	178	M24 x 3	10	36	17	144	—	—	14.5	M16 x 2	24.2	27.5	28	21.2	188
180		136	102	3	33	40	204	M24 x 3	3	36	17	162	52	52	19	M22 x 2.5	31.5	29	38	26	—
200		143	109	3	33	40	226	M24 x 3	7.1	36	17	182	62	62	19	M22 x 2.5	31.5	30	38	26	—

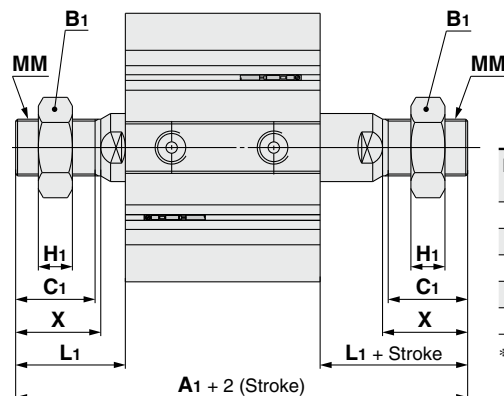
*1 Be sure to use the attached flat washer for mounting cylinder with through-holes.

*2 For sizes ∅125 to ∅160 with a stroke of 10 mm or less, and for sizes ∅180 and ∅200 with a stroke of 20 mm or less, the product comes with an OA through thread.

*3 (): Values of effective length in one side for 10 mm stroke model

* The positions of double rod width across flats are not the same.

Rod end male thread



Bore size [mm]	A ₁	B ₁	C ₁	H ₁	L ₁	MM	X
125	199	46	42	18	58	M30 x 1.5	45
140	199	46	42	18	58	M30 x 1.5	45
160	219	55	47	21	64	M36 x 1.5	50
180	230	55	47	21	64	M36 x 1.5	50
200	237	55	47	21	64	M36 x 1.5	50

* For details on the rod end nut ⇨ p. 34

Standard	Double Acting, Single Rod	CQ2
Standard	Double Acting, Double Rod	CQ2W
Standard	Single Acting, Spring Return-End	CQ2
Large Bore Size	Double Acting, Single Rod	CQ2
Large Bore Size	Double Acting, Double Rod	CQ2W
Anti-lateral Load	Double Acting, Single Rod	CQ2□S
Long Stroke	Double Acting, Single Rod	CQ2
Non-rotating Rod	Double Acting, Single Rod	CQ2K
Non-rotating Rod	Double Acting, Double Rod	CQ2KW
Water Resistant	Double Acting, Single Rod	CQ2-RV
Water Resistant	Double Acting, Double Rod	CQ2W-RV
Axial Piping	Double Acting, Single Rod	CQP2
Axial Piping	Single Acting, Spring Return-End	CQP2
With End Lock	Double Acting, Single Rod	CBQ2
Auto Switch		Auto Switch
Made to Order		Made to Order

Compact Cylinder: Anti-lateral Load

CQ2□S Series

ø32, ø40, ø50, ø63, ø80, ø100

How to Order

Without auto switch

CQ2 B S 32 □ - 30 D □ C □ Z - □

With auto switch

CDQ2 B S 32 □ - 30 D □ C □ Z - M9BW □ - □

With auto switch magnet
The overall length of the cylinder with an auto switch magnet is longer than that of the cylinder without an auto switch magnet by the length of the built-in magnet. For details, refer to the dimensions of each size.

1 Mounting

B	Through-hole
A	Both ends tapped
L	Foot
LC	Compact foot
F	Rod flange
G	Head flange
D	Double clevis

- * Mounting brackets are shipped together with the product but do not come assembled.
- * A through-hole type mounting bolt is available as an option. For details ⇨ p. 77
- * For cylinders with mounting options "L," "LC," or "F," the cylinder rod protrusion dimensions (Dimensions L and L₁) vary from the standard cylinder. When only ordering the cylinder, order the rod end length increased by 10 mm (-XC2) cylinder. For details ⇨ p. 178

2 Type

S	Anti-lateral load
---	-------------------

3 Bore size

32	32 mm
40	40 mm
50	50 mm
63	63 mm
80	80 mm
100	100 mm

4 Port thread type

Nil	Rc
TN	NPT
TF	G
F	Built-in One-touch fittings*1

*1 The bore sizes available with One-touch fittings are ø32 to ø63.

5 Cylinder stroke (For details on the minimum stroke for auto switch mounting ⇨ p. 157) [mm]

Bore size	Standard stroke
32, 40	5, 10, 15, 20, 25, 30, 35, 40, 45, 50, 75, 100
50, 63, 80, 100	10, 15, 20, 25, 30, 35, 40, 45, 50, 75, 100

* For the manufacturing of intermediate strokes ⇨ p. 75

6 Action

D	Double acting
---	---------------

7 Body option 1

Nil	Standard
F	With boss on head end

8 Cushion

C	Rubber bumper
---	---------------

9 Body option 2

Nil	Rod end female thread
M	Rod end male thread

10 Auto switch mounting groove

Z	4 surfaces
---	------------

11 Auto switch

Nil	Without auto switch
-----	---------------------

* For applicable auto switches ⇨ p. 74

12 Number of auto switches

Nil	2
S	1
n	n

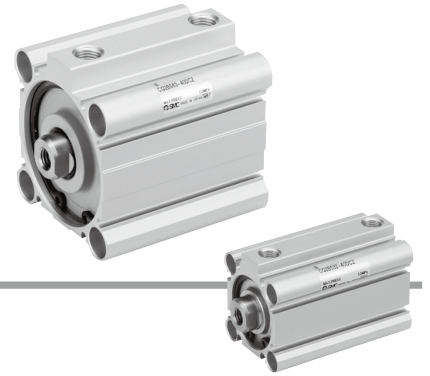
13 Made to order common specifications

For details ⇨ p. 75

Cylinder Model with Auto Switch Magnet

If a cylinder with an auto switch magnet and without an auto switch is required, there is no need to enter the symbol for the auto switch.
(Example) CDQ2LS40-30DCZ

Compact Cylinder: Anti-lateral Load **CQ2□S Series**



Standard	Double Acting, Single Rod	CQ2
Standard	Double Acting, Double Rod	CQ2W
Single Acting, Spring Return-End	Double Acting, Single Rod	CQ2
Large Bore Size	Double Acting, Double Rod	CQ2W
Large Bore Size	Double Acting, Single Rod	CQ2
Anti-lateral Load	Double Acting, Single Rod	CQ2□S
Long Stroke	Double Acting, Single Rod	CQ2
Non-rotating Rod	Double Acting, Single Rod	CQ2K
Non-rotating Rod	Double Acting, Double Rod	CQ2KW
Water Resistant	Double Acting, Single Rod	CQ2-R/V
Water Resistant	Double Acting, Double Rod	CQ2W-R/V
Axial Piping	Double Acting, Single Rod	CQP2
Axial Piping	Single Acting, Spring Return-End	CQP2
With End Lock	Double Acting, Single Rod	CBQ2
Auto Switch		Auto Switch
Made to Order		Made to Order

For details on **auto switch mounting** ⇨ p. 149 to 165

- Auto Switch Proper Mounting Position (Detection at stroke end) and Mounting Height
- Minimum Stroke for Auto Switch Mounting
- Operating Range
- Auto Switch Mounting Brackets/Part Nos.

Applicable Auto Switches / Refer to the **Web Catalog** for further information on auto switches.

Type	Special function	Electrical entry	Indicator light	Wiring (Output)	Load voltage		Auto switch model		Lead wire length [m]					Pre-wired connector	Applicable load									
					DC	AC	Perpendicular	In-line	0.5 (Nil)	1 (M)	3 (L)	5 (Z)	None (N)											
Solid state auto switch	—	Grommet	Yes	3-wire (NPN)	24 V	5 V, 12 V	—	M9NV	M9N	●	●	●	○	—	○	IC circuit	Relay, PLC							
				3-wire (PNP)				M9PV	M9P	●	●	●	○	—	○									
				2-wire				M9BV	M9B	●	●	●	○	—	○									
	Diagnostic indication (2-color indicator)			3-wire (NPN)				24 V	Yes	5 V, 12 V	—	M9NWV	M9NW	●	●	●		○	—	○	IC circuit			
				3-wire (PNP)						M9PWV		M9PW	●	●	●	○		—	○					
				2-wire						M9B WV		M9BW	●	●	●	○		—	○					
	Water resistant (2-color indicator)			3-wire (NPN)						24 V		Yes	5 V, 12 V	—	M9NAV *1	M9NA *1		○	○	●	○	—	○	IC circuit
				3-wire (PNP)									M9PAV *1		M9PA *1	○		○	●	○	—	○		
				2-wire									M9BAV *1		M9BA *1	○		○	●	○	—	○		
	Magnetic field resistant (2-color indicator)			2-wire (Non-polar)									24 V		Yes	—		—	—	P3DWA	●	—	●	●
3-wire (NPN equivalent)		5 V	A96V	A96	●	●	●									—	○		IC circuit					
		12 V	A93V	A93	●	●	●									—	○*2							
Reed auto switch	—	Grommet	No	2-wire	24 V	5 V, 12 V	100 V									A90V	A90		●	●	●	—	○*2	IC circuit
						100 V or less	—	—	—		—					—	—		—					

*1 Water-resistant type auto switches can be mounted on the models on page 73, but SMC cannot guarantee water resistance.

Please contact SMC regarding water-resistant types with the model numbers on page 73.

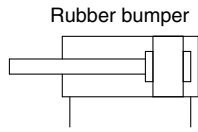
*2 The load voltage used is 24 VDC.

* Lead wire length symbols: 0.5 m Nil (Example) M9NW
 1 m M (Example) M9NWM
 3 m L (Example) M9NWL
 5 m Z (Example) M9NWZ

* Auto switches marked with a "○" are produced upon receipt of order.

* There are applicable auto switches other than those listed above. For details ⇨ p. 165

Symbol



Made to Order Common Specifications
(For details ⇨ p. 167 to 196)

Symbol	Specifications
-XA□	Change of rod end shape
-XB10	Intermediate stroke (Exclusive body type)
-XC2(A)	Rod end length increased by 10 mm (For foot and flange bracket)
-XC6	Piston rod/Retaining ring/Rod end nut material: Stainless steel
-XC26	With split pins for double clevis pin/ double knuckle joint pin and flat washers
-XC26□	Double clevis width/Double knuckle width 12.5 mm, 16.5 mm, or 19.5 mm: With double clevis and double knuckle joint
-XC27	Double clevis pin/Double knuckle joint pin material: Stainless steel 304
-XC85	Grease for food processing equipment
-XC88	Splatter-resistant coil scraper, Lube-retainer, Grease for welding (Piston rod: Stainless steel 304)
-XC89	Splatter-resistant coil scraper, Lube-retainer, Grease for welding (Piston rod: S45C)
-X271	Fluororubber seals
-X1876	Cylinder tube: With concave boss on head end

* Stainless steel accessories are also available.
For details ⇨ p. 34

Specifications

Bore size [mm]	32	40	50	63	80	100
Action	Double acting, Single rod					
Fluid	Air					
Proof pressure	1.5 MPa					
Maximum operating pressure	1.0 MPa					
Minimum operating pressure	0.05 MPa					
Ambient and fluid temperatures	Without auto switch magnet: -10 to 70°C With auto switch magnet: -10 to 60°C (No freezing)					
Lubrication	Not required (Non-lube)					
Piston speed	50 to 500 mm/s					
Cushion	Rubber bumper					
Allowable kinetic energy [J]	0.29	0.52	0.91	1.54	2.71	4.54
Stroke length tolerance	+1.0 mm*1 0					

*1 Stroke length tolerance does not include the amount of dumper change.

Manufacturing of Intermediate Strokes

Type	A spacer is installed in the standard stroke body.	Exclusive body (-XB10)
Part no.	Refer to "How to Order" for the standard model number. (⇨ p. 73)	Suffix "-XB10" to the end of standard model number. (⇨ p. 73)
Description	Strokes in 1 mm increments are available by installing a spacer in the standard stroke cylinder.	Strokes in 1 mm increments are available by using an exclusive body with the specified stroke.
Stroke range	Bore size	Bore size
	32 to 100	Stroke range
Example	Part no.: CQ2BS50-57DCZ CQ2BS50-75DCZ with 18 mm width spacer inside The B dimension is 125.5 mm.	Part no.: CQ2BS50-57DCZ-XB10 Makes 57 stroke tube. The B dimension is 107.5 mm.

• In the case of exclusive body type with $\phi 32$ to $\phi 100$ (-XB10) with the stroke length exceeding 50 mm, reference values of the longitudinal dimension will be changed.
Calculate length dimensions by deducting from those of 75 or 100 mm stroke models.

Mounting Bracket Part Nos.

Bore size [mm]	Foot*1	Compact foot*1	Flange	Double clevis	Double clevis pivot bracket
32	CQ-L032	CQ-LC032	CQ-F032	CQ-D032	CQ-C032
40	CQ-L040	CQ-LC040	CQ-F040	CQ-D040	CQ-C040
50	CQ-L050	CQ-LC050	CQ-F050	CQ-D050	CQ-C050
63	CQ-L063	CQ-LC063	CQ-F063	CQ-D063	CQ-C063
80	CQ-L080	CQ-LC080	CQ-F080	CQ-D080	CQ-C080
100	CQ-L100	CQ-LC100	CQ-F100	CQ-D100	CQ-C100

*1 When ordering foot and compact foot brackets, order 2 pieces per cylinder.

* Parts included with each type of bracket are as follows.

Foot, Compact foot, Flange: Body mounting bolts, Double clevis: Clevis pin, Type C retaining rings for axis, Body mounting bolts

* For details on accessory brackets (Options) ⇨ p. 29 to 36

* Foot, compact foot, flange brackets, etc., cannot be retrofitted for through-hole mounting (B).

Dimensions of Each Mounting Bracket

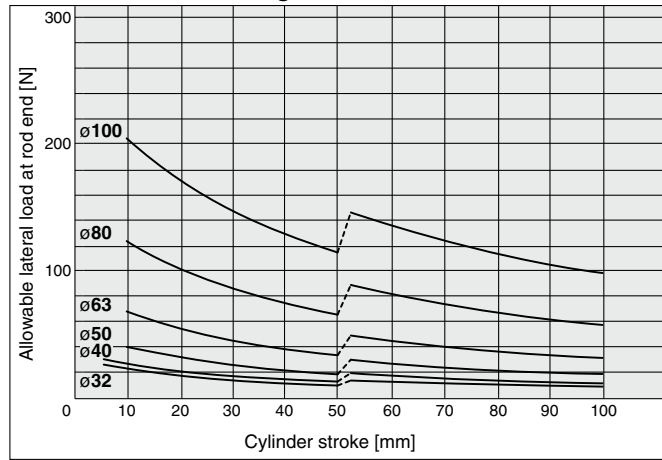
The dimensions of each mounting bracket are the same as those of the standard type, double acting, single rod (except the configuration of the piston rod). Refer to pages 29 to 33.

⚠ Precautions

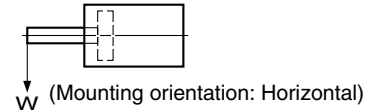
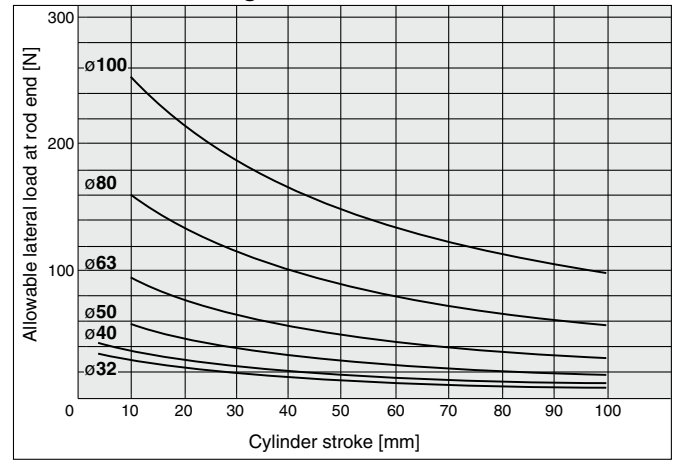
Refer to page 197 before handling the products.

Allowable Lateral Load at Rod End

Without Auto Switch Magnet



With Auto Switch Magnet



Weight

Without Auto Switch Magnet [g]

Bore size [mm]	Cylinder stroke [mm]											
	5	10	15	20	25	30	35	40	45	50	75	100
32	134	154	174	193	213	233	252	272	291	311	457	556
40	211	232	254	275	297	318	340	361	383	404	577	689
50	—	369	402	435	467	500	533	566	598	632	902	1073
63	—	557	595	633	671	709	747	786	824	862	1189	1386
80	—	983	1043	1104	1164	1224	1284	1345	1405	1465	1985	2281
100	—	1711	1792	1872	1952	2033	2113	2194	2274	2354	3086	3494

With Auto Switch Magnet [g]

Bore size [mm]	Cylinder stroke [mm]											
	5	10	15	20	25	30	35	40	45	50	75	100
32	191	211	230	250	270	289	309	329	348	368	468	567
40	284	305	327	348	369	391	412	434	455	477	589	701
50	—	480	513	546	579	611	644	677	710	743	915	1087
63	—	710	748	787	825	863	901	939	977	1015	1211	1408
80	—	1229	1289	1350	1410	1470	1530	1591	1651	1711	2008	2305
100	—	2070	2150	2231	2311	2391	2472	2552	2633	2713	3121	3529

Additional Weight [g]

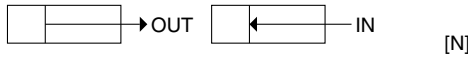
Bore size [mm]	32	40	50	63	80	100
Both ends tapped	6	6	6	19	45	45
Rod end male thread	Male thread	26	27	53	53	120
	Nut	17	17	32	32	49
With boss on head end	5	7	13	25	45	96
Foot (Including mounting bolts)	120	138	219	297	589	968
Compact foot (Including mounting bolts)	94	109	172	234	492	762
Rod flange (Including mounting bolts)	180	214	373	559	1056	1365
Head flange (Including mounting bolts)	165	198	348	534	1017	1309
Double clevis (Including pin, retaining rings, bolts)	151	196	393	554	1109	1887

Calculation: (Example) **CDQ2DS32-20DCMZ**

- Basic weight : CDQ2BS32-20DCZ 250 g
 - Additional weight: Both ends tapped 6 g
 - Rod end male thread 43 g
 - Double clevis 151 g
- 450 g

Add each weight of auto switches when auto switches are mounted.

Theoretical Output



Bore size [mm]	Operating direction	Operating pressure [MPa]		
		0.3	0.5	0.7
32	IN	181	302	422
	OUT	241	402	563
40	IN	317	528	739
	OUT	377	628	880
50	IN	495	825	1155
	OUT	589	982	1374
63	IN	841	1402	1962
	OUT	935	1559	2182
80	IN	1361	2268	3175
	OUT	1508	2513	3519
100	IN	2144	3574	5003
	OUT	2356	3927	5498

Standard Double Acting, Single Rod **CQ2**
 Standard Double Acting, Double Rod **CQ2W**
 Single Acting, Spring Return, Single Rod **CQ2**
 Large Bore Size Double Acting, Double Rod **CQ2**
 Large Bore Size Double Acting, Single Rod **CQ2W**
 Anti-lateral Load Double Acting, Single Rod **CQ2□S**
 Long Stroke Double Acting, Single Rod **CQ2**
 Non-rotating Rod Double Acting, Double Rod **CQ2K**
 Non-rotating Rod Double Acting, Single Rod **CQ2KW**
 Water Resistant Double Acting, Double Rod **CQ2W-RV**
 Water Resistant Double Acting, Single Rod **CQ2-RV**
 Axial Piping Single Acting, Single Rod **CQP2**
 Axial Piping Single Acting, Spring Return, Single Rod **CQP2**
 With End Lock Double Acting, Single Rod **CBQ2**
 Auto Switch
 Made to Order

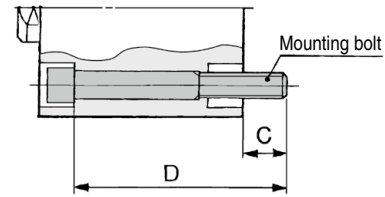
CQ2□S Series

Through-hole Type Mounting Bolt for the CQ2□S: Without Auto Switch Magnet

Mounting bolt for the through-hole mounting of the CQ2BS is available as an option. Refer to the following for ordering procedures. Order the actual number of bolts that will be used.

Example) CQ-M5 x 40L 4 pcs.

Type: Hexagon socket head cap screw
Material: Chromium molybdenum steel
Surface treatment: Zinc chromated



Cylinder model	C	D	Mounting bolt part no.
CQ2BS32-5DCZ	9	40	CQ-M5 x 40L
-10DCZ		45	x 45L
-15DCZ		50	x 50L
-20DCZ		55	x 55L
-25DCZ		60	x 60L
-30DCZ		65	x 65L
-35DCZ		70	x 70L
-40DCZ		75	x 75L
-45DCZ		80	x 80L
-50DCZ		85	x 85L
-75DCZ		120	x 120L
-100DCZ	145	x 145L	
CQ2BS40-5DCZ	7.5	45	CQ-M5 x 45L
-10DCZ		50	x 50L
-15DCZ		55	x 55L
-20DCZ		60	x 60L
-25DCZ		65	x 65L
-30DCZ		70	x 70L
-35DCZ		75	x 75L
-40DCZ		80	x 80L
-45DCZ		85	x 85L
-50DCZ		90	x 90L
-75DCZ		125	x 125L
-100DCZ	150	x 150L	
CQ2BS50-10DCZ	12.5	55	CQ-M6 x 55L
-15DCZ		60	x 60L
-20DCZ		65	x 65L
-25DCZ		70	x 70L
-30DCZ		75	x 75L
-35DCZ		80	x 80L
-40DCZ		85	x 85L
-45DCZ		90	x 90L
-50DCZ		95	x 95L
-75DCZ		130	x 130L
-100DCZ		155	x 155L

Cylinder model	C	D	Mounting bolt part no.
CQ2BS63-10DCZ	14.5	60	CQ-M8 x 60L
-15DCZ		65	x 65L
-20DCZ		70	x 70L
-25DCZ		75	x 75L
-30DCZ		80	x 80L
-35DCZ		85	x 85L
-40DCZ		90	x 90L
-45DCZ		95	x 95L
-50DCZ		100	x 100L
-75DCZ		135	x 135L
-100DCZ		160	x 160L
CQ2BS80-10DCZ	15	65	CQ-M10 x 65L
-15DCZ		70	x 70L
-20DCZ		75	x 75L
-25DCZ		80	x 80L
-30DCZ		85	x 85L
-35DCZ		90	x 90L
-40DCZ		95	x 95L
-45DCZ		100	x 100L
-50DCZ		105	x 105L
-75DCZ		140	x 140L
-100DCZ		165	x 165L
CQ2BS100-10DCZ	15.5	75	CQ-M10 x 75L
-15DCZ		80	x 80L
-20DCZ		85	x 85L
-25DCZ		90	x 90L
-30DCZ		95	x 95L
-35DCZ		100	x 100L
-40DCZ		105	x 105L
-45DCZ		110	x 110L
-50DCZ		115	x 115L
-75DCZ		150	x 150L
-100DCZ		175	x 175L

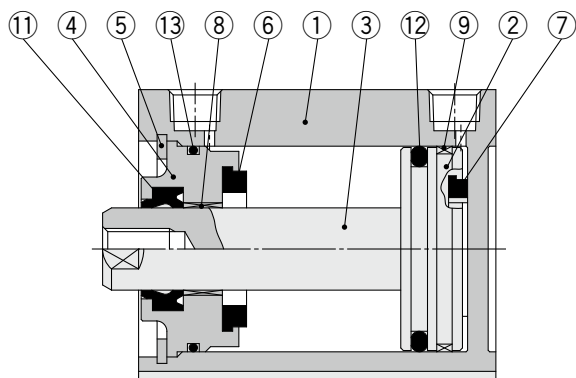
Through-hole Type Mounting Bolt for the CDQ2□S: With Auto Switch Magnet

Cylinder model	C	D	Mounting bolt part no.
CDQ2BS32-5DCZ	9	50	CQ-M5 x 50L
-10DCZ		55	x 55L
-15DCZ		60	x 60L
-20DCZ		65	x 65L
-25DCZ		70	x 70L
-30DCZ		75	x 75L
-35DCZ		80	x 80L
-40DCZ		85	x 85L
-45DCZ		90	x 90L
-50DCZ		95	x 95L
-75DCZ		120	x 120L
-100DCZ	145	x 145L	
CDQ2BS40-5DCZ	7.5	55	CQ-M5 x 55L
-10DCZ		60	x 60L
-15DCZ		65	x 65L
-20DCZ		70	x 70L
-25DCZ		75	x 75L
-30DCZ		80	x 80L
-35DCZ		85	x 85L
-40DCZ		90	x 90L
-45DCZ		95	x 95L
-50DCZ		100	x 100L
-75DCZ		125	x 125L
-100DCZ	150	x 150L	
CDQ2BS50-10DCZ	12.5	65	CQ-M6 x 65L
-15DCZ		70	x 70L
-20DCZ		75	x 75L
-25DCZ		80	x 80L
-30DCZ		85	x 85L
-35DCZ		90	x 90L
-40DCZ		95	x 95L
-45DCZ		100	x 100L
-50DCZ		105	x 105L
-75DCZ		130	x 130L
-100DCZ		155	x 155L

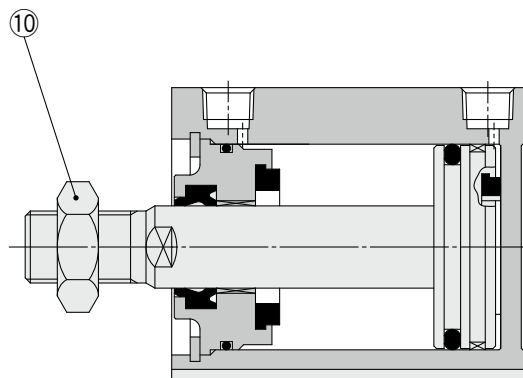
Cylinder model	C	D	Mounting bolt part no.
CDQ2BS63-10DCZ	14.5	70	CQ-M8 x 70L
-15DCZ		75	x 75L
-20DCZ		80	x 80L
-25DCZ		85	x 85L
-30DCZ		90	x 90L
-35DCZ		95	x 95L
-40DCZ		100	x 100L
-45DCZ		105	x 105L
-50DCZ		110	x 110L
-75DCZ		135	x 135L
-100DCZ		160	x 160L
CDQ2BS80-10DCZ	15	75	CQ-M10 x 75L
-15DCZ		80	x 80L
-20DCZ		85	x 85L
-25DCZ		90	x 90L
-30DCZ		95	x 95L
-35DCZ		100	x 100L
-40DCZ		105	x 105L
-45DCZ		110	x 110L
-50DCZ		115	x 115L
-75DCZ		140	x 140L
-100DCZ		165	x 165L
CDQ2BS100-10DCZ	15.5	85	CQ-M10 x 85L
-15DCZ		90	x 90L
-20DCZ		95	x 95L
-25DCZ		100	x 100L
-30DCZ		105	x 105L
-35DCZ		110	x 110L
-40DCZ		115	x 115L
-45DCZ		120	x 120L
-50DCZ		125	x 125L
-75DCZ		150	x 150L
-100DCZ		175	x 175L

Construction

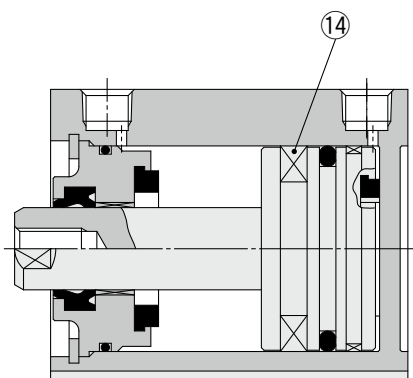
Without auto switch magnet



Rod end male thread



With auto switch magnet



Component Parts

No.	Description	Material	Note
1	Cylinder tube	Aluminum alloy	Hard anodized
2	Piston	Aluminum alloy	
3	Piston rod	Carbon steel	Hard chrome plating
4	Collar	Aluminum alloy	Anodized
5	Retaining ring	Carbon tool steel	Phosphate coated
6	Bumper A	Urethane	
7	Bumper B	Urethane	
8	Bushing	Bearing alloy	
9	Wear ring	Resin	
10	Rod end nut	Carbon steel	Zinc chromated
11	Rod seal	NBR	
12	Piston seal	NBR	
13	Tube gasket	NBR	
14	Magnet	—	

Replacement Parts/Seal Kit

Bore size [mm]	Kit no.	Contents
32	CQ2B32-PS	Set of nos. ⑪, ⑫, ⑬
40	CQ2B40-PS	
50	CQ2B50-PS	
63	CQ2B63-PS	
80	CQ2B80-PS	
100	CQ2B100-PS	

* Seal kit includes ⑪, ⑫, ⑬. Order the seal kit based on each bore size.

* The seal kit does not include a grease pack. Order it separately.

Grease pack part no.: GR-S-010 (10 g)

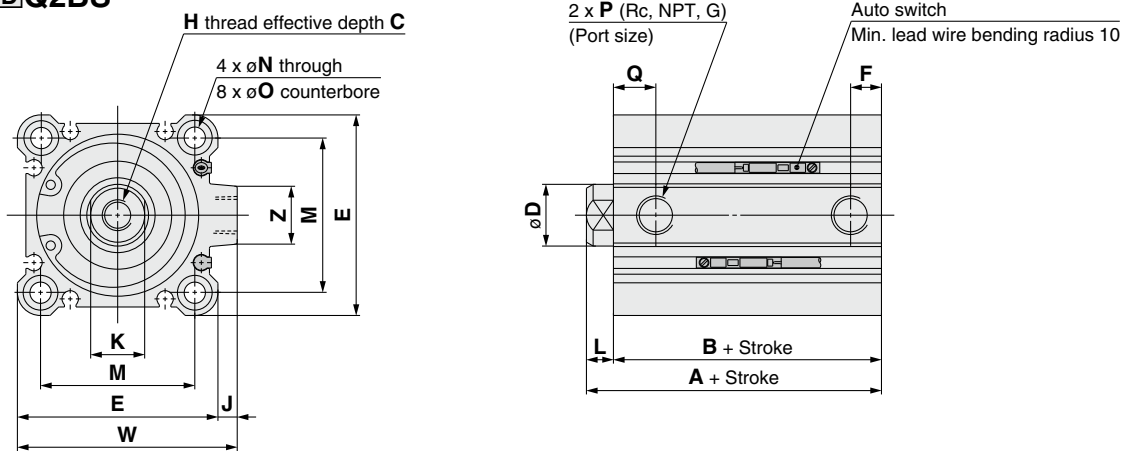
Standard	Double Acting, Double Rod	CQ2W	Double Acting, Single Rod	CQ2
Large Bore Size	Double Acting, Double Rod	CQ2W	Double Acting, Single Rod	CQ2
Anti-lateral Load	Double Acting, Single Rod	CQ2□S	Double Acting, Single Rod	CQ2
Long Stroke	Double Acting, Single Rod	CQ2	Double Acting, Single Rod	CQ2
Non-rotating Rod	Double Acting, Double Rod	CQ2KW	Double Acting, Single Rod	CQ2K
Water Resistant	Double Acting, Double Rod	CQ2W-RV	Double Acting, Single Rod	CQ2-RV
Axial Piping	Double Acting, Single Rod	CQP2	Double Acting, Single Rod	CQP2
With End Lock	Double Acting, Single Rod	CBQ2	Double Acting, Single Rod	CBQ2
Auto Switch				Auto Switch
Made to Order				Made to Order

CQ2□S Series

Bore Size

∅32 to ∅100 With/Without Auto Switch Magnet

Through-hole: C□Q2BS

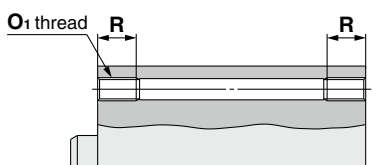


Bore size [mm]	Stroke range [mm]	Without auto switch magnet		With auto switch magnet		[mm]														
		A	B	A	B	C	D	E	F	H	J	K	L	M	N	O	P	Q	W	Z
32	5 to 50	40	33	50	43	13	16	45	7.5	M8 x 1.25	4.5	14	7	34	5.5	9 depth 7	1/8	10	49.5	14
	75, 100	50	43																	
40	5 to 50	46.5	39.5	56.5	49.5	13	16	52	7.5	M8 x 1.25	5	14	7	40	5.5	9 depth 7	1/8	12.5	57	15
	75, 100	56.5	49.5																	
50	10 to 50	48.5	40.5	58.5	50.5	15	20	64	10.5	M10 x 1.5	7	17	8	50	6.6	11 depth 8	1/4	10.5	71	19
	75, 100	58.5	50.5																	
63	10 to 50	54	46	64	56	15	20	77	10.5	M10 x 1.5	7	17	8	60	9	14 depth 10.5	1/4	15	84	19
	75, 100	64	56																	
80	10 to 50	63.5	53.5	73.5	63.5	21	25	98	12.5	M16 x 2.0	6	22	10	77	11	17.5 depth 13.5	3/8	16	104	25
	75, 100	73.5	63.5																	
100	10 to 50	75	63	85	73	27	30	117	13	M20 x 2.5	6.5	27	12	94	11	17.5 depth 13.5	3/8	23	123.5	25
	75, 100	85	73																	

* For details on the rod end nut and accessory brackets ⇨ p. 34 to 36

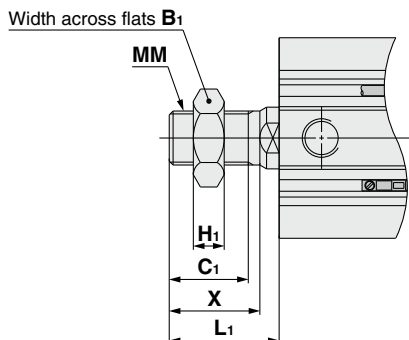
* For the auto switch proper mounting position and mounting height ⇨ p. 149 to 156

Both ends tapped



Bore size [mm]	O ₁	R
32	M6 x 1.0	10
40	M6 x 1.0	10
50	M8 x 1.25	14
63	M10 x 1.5	18
80	M12 x 1.75	22
100	M12 x 1.75	22

Rod end male thread



Bore size [mm]	B ₁	C ₁	H ₁	L ₁	MM	X
32	22	20.5	8	28.5	M14 x 1.5	23.5
40	22	20.5	8	28.5	M14 x 1.5	23.5
50	27	26	11	33.5	M18 x 1.5	28.5
63	27	26	11	33.5	M18 x 1.5	28.5
80	32	32.5	13	43.5	M22 x 1.5	35.5
100	41	32.5	16	43.5	M26 x 1.5	35.5

The dimensions with boss on head end are equivalent to those of the standard type, double acting, single rod. ⇨ p. 27, 28

Dimensions of Each Mounting Bracket

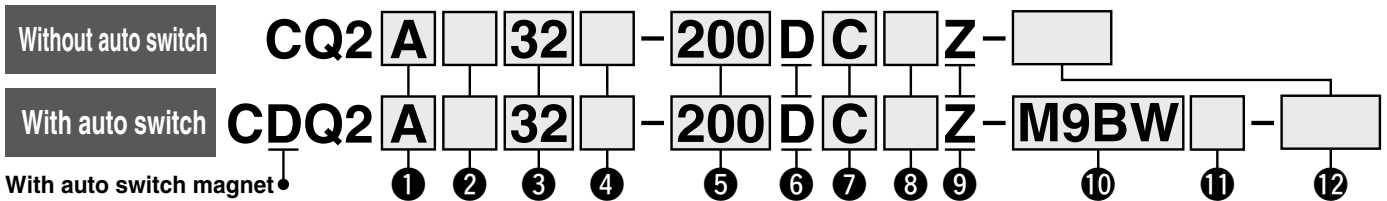
The dimensions of each mounting bracket are the same as those of the standard type, double acting, single rod (except the configuration of the piston rod). Refer to pages 29 to 33.

Compact Cylinder: Long Stroke Double Acting, Single Rod

CQ2 Series

∅32, ∅40, ∅50, ∅63, ∅80, ∅100

How to Order



1 Mounting

A	Both ends tapped
L	Foot
LC	Compact foot
F	Rod flange
G	Head flange
D	Double clevis

* Mounting brackets are shipped together with the product but do not come assembled.

2 Type

Nil	Pneumatic
H	Air-hydro

3 Bore size

32	32 mm
40	40 mm
50	50 mm
63	63 mm
80	80 mm
100	100 mm

4 Port thread type

Nil	Rc
TN	NPT
TF	G
F	Built-in One-touch fittings*1

*1 The bore sizes available with One-touch fittings are ∅32 to ∅63. However, they cannot be selected for the air-hydro type.
* "TF" is not selectable for the air-hydro type.

5 Cylinder stroke

(For details on the minimum stroke for auto switch mounting ⇨ p. 157) [mm]

Bore size	Standard stroke
32, 40, 50	125, 150, 175
63, 80, 100	200, 250, 300

* For the manufacturing of intermediate strokes ⇨ p. 81

6 Action

D	Double acting
---	---------------

7 Cushion

Nil	Without rubber bumper
C	With rubber bumper

* Pneumatic type: With rubber bumper only
Air-hydro type: Without rubber bumper only

8 Body option

Nil	Rod end female thread
M	Rod end male thread

9 Auto switch mounting groove

Z	4 surfaces
---	------------

10 Auto switch

Nil	Without auto switch
-----	---------------------

* For applicable auto switches, refer to the table below.

11 Number of auto switches

Nil	2
S	1
n	n

12 Made to order common specifications

For details ⇨ p. 81

Cylinder Model with Auto Switch Magnet

If a cylinder with an auto switch magnet and without an auto switch is required, there is no need to enter the symbol for the auto switch. (Example) CDQ2L40-200DCZ

For details on auto switch mounting ⇨ p. 149 to 165

- Auto Switch Proper Mounting Position (Detection at stroke end) and Mounting Height
- Minimum Stroke for Auto Switch Mounting
- Operating Range
- Auto Switch Mounting Brackets/Part Nos.

Applicable Auto Switches / Refer to the Web Catalog for further information on auto switches.

Type	Special function	Electrical entry	Indicator light	Wiring (Output)	Load voltage		Auto switch model		Lead wire length [m]					Pre-wired connector	Applicable load		
					DC	AC	Perpendicular	In-line	0.5 (Nil)	1 (M)	3 (L)	5 (Z)	None (N)				
Solid state auto switch	—	Grommet	Yes	3-wire (NPN)	24 V	5 V, 12 V	—	M9NV	M9N	●	●	●	○	—	○	IC circuit	
				3-wire (PNP)				M9PV	M9P	●	●	●	○	—	○		
				2-wire				M9BV	M9B	●	●	●	○	—	○		—
				3-wire (NPN)				M9NWV	M9NW	●	●	●	○	—	○		
	Diagnostic indication (2-color indicator)			3-wire (PNP)				M9PWV	M9PW	●	●	●	○	—	○		IC circuit
				2-wire				M9B WV	M9B W	●	●	●	○	—	○		
	Water resistant (2-color indicator)			3-wire (NPN)				M9NAV*1	M9NA*1	○	○	●	○	—	○		IC circuit
				3-wire (PNP)				M9PAV*1	M9PA*1	○	○	●	○	—	○		
Magnetic field resistant (2-color indicator)	2-wire	M9BAV*1	M9BA*1	○	○	●	○	—	○	—							
	2-wire (Non-polar)	—	P3DWA	●	—	●	—	○	○		—						
Reed auto switch	—	Grommet	Yes	3-wire (NPN equivalent)	24 V	5 V, 12 V	100 V or less	A96V	A96	●		●	●	—	○	IC circuit	
				2-wire				A93V	A93	●	●	●	—	○*2	Relay, PLC		
				—				A90V	A90	●	●	●	—	○*2			

*1 Water-resistant type auto switches can be mounted on the above models, but SMC cannot guarantee water resistance.

Please contact SMC regarding water-resistant types with the above model numbers.

*2 The load voltage used is 24 VDC.

* Lead wire length symbols: 0.5 m Nil (Example) M9NW
1 m M (Example) M9NWM
3 m L (Example) M9NWL
5 m Z (Example) M9NWZ

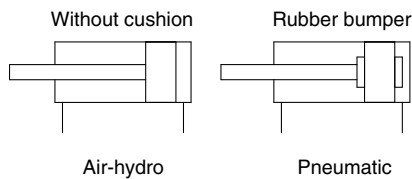
* Auto switches marked with a "○" are produced upon receipt of order.

* There are applicable auto switches other than those listed above. For details ⇨ p. 165

Standard Double Acting, Single Rod CQ2
Standard Double Acting, Double Rod CQ2W
Single Acting, Spring Return, Double Rod CQ2
Large Bore Size Double Acting, Single Rod CQ2
Large Bore Size Double Acting, Double Rod CQ2W
Anti-lateral Load Double Acting, Single Rod CQ2S
Long Stroke Double Acting, Single Rod CQ2
Long Stroke Double Acting, Double Rod CQ2K
Non-rotating Rod Double Acting, Single Rod CQ2K
Non-rotating Rod Double Acting, Double Rod CQ2KW
Water Resistant Double Acting, Single Rod CQ2-RV
Water Resistant Double Acting, Double Rod CQ2W-RV
Axial Piping Double Acting, Single Rod CQP2
Axial Piping Double Acting, Double Rod CQP2
With End Lock Double Acting, Single Rod CBQ2
Auto Switch
Made to Order



Symbol



Made to Order Common Specifications (For details ⇨ p. 167 to 196)

Symbol	Specifications
-XA□	Change of rod end shape
-XB10	Intermediate stroke (Exclusive body type)
-XC4	With heavy duty scraper
-XC6	Piston rod/Retaining ring/Rod end nut material: Stainless steel
-XC26	With split pins for double clevis pin/ double knuckle joint pin and flat washers
-XC26□	Double clevis width/Double knuckle width 12.5 mm, 16.5 mm, or 19.5 mm: With double clevis and double knuckle joint
-XC27	Double clevis pin/Double knuckle joint pin material: Stainless steel 304
-XC35	With coil scraper
-XC36	With boss on rod end*2
-XC85	Grease for food processing equipment
-XC88	Spatter-resistant coil scraper, Lube-retainer, Grease for welding (Piston rod: Stainless steel 304)
-XC89	Spatter-resistant coil scraper, Lube-retainer, Grease for welding (Piston rod: S45C)
-X271	Fluororubber seals*1

*1 Excludes the air-hydro type

*2 The standard model can be used for the type with boss on the rod end (-XC36).

* Stainless steel accessories are also available.
For details ⇨ p. 34

⚠ Precautions

Refer to page 197 before handling the products.

Specifications

Pneumatic type

Bore size [mm]	32	40	50	63	80	100
Action	Double acting, Single rod					
Fluid	Air					
Proof pressure	1.5 MPa					
Maximum operating pressure	1.0 MPa					
Minimum operating pressure	0.05 MPa					
Ambient and fluid temperatures	Without auto switch magnet: -10 to 70°C With auto switch magnet: -10 to 60°C (No freezing)					
Lubrication	Not required (Non-lube)					
Piston speed	50 to 500 mm/s					
Cushion	With rubber bumper					
Allowable kinetic energy [J]	0.29	0.52	0.91	1.54	2.71	4.54
Stroke length tolerance	+1.4 mm ⁺¹ 0					

*1 Stroke length tolerance does not include the amount of bumper change.

Air-hydro type

Bore size [mm]	32	40	50	63	80	100
Action	Double acting, Single rod					
Fluid	Turbine oil*1					
Proof pressure	1.5 MPa					
Maximum operating pressure	1.0 MPa					
Minimum operating pressure	0.18 MPa	0.1 MPa				
Ambient and fluid temperatures	5 to 60°C					
Piston speed	5 to 50 mm/s					
Cushion	None					
Stroke length tolerance	+1.4 mm ⁺² 0					

*1 Refer to Actuator Precautions 5 (Web Catalog).

*2 The air-hydro type has no bumper.

Manufacturing of Intermediate Strokes (Excludes the air-hydro type)

Type	A spacer is installed in the standard stroke body.	Exclusive body (-XB10)
Part no.	Refer to "How to Order" for the standard model number. (⇨ p. 80)	Suffix "-XB10" to the end of standard model number. (⇨ p. 80)
Description	Strokes in 1 mm increments are available by installing a spacer in the standard stroke cylinder.	Strokes in 1 mm increments are available by using an exclusive body with the specified stroke.
Stroke range	101 to 299	101 to 299
Example	Part no.: CQ2A50-166DCZ CQ2A50-175DCZ with 9 mm width spacer inside The B dimension is 230.5 mm.	Part no.: CQ2A50-166DCZ-XB10 Makes 166 mm stroke tube. The B dimension is 221.5 mm.

Mounting Bracket Part Nos.

Bore size [mm]	Foot*1	Compact foot*1	Flange	Double clevis	Double clevis pivot bracket
32	CQ-L032	CQ-LC032	CQ-F032	CQ-D032	CQ-C032
40	CQ-L040	CQ-LC040	CQ-F040	CQ-D040	CQ-C040
50	CQ-L050	CQ-LC050	CQ-F050	CQ-D050	CQ-C050
63	CQ-L063	CQ-LC063	CQ-F063	CQ-D063	CQ-C063
80	CQ-L080	CQ-LC080	CQ-F080	CQ-D080	CQ-C080
100	CQ-L100	CQ-LC100	CQ-F100	CQ-D100	CQ-C100

*1 When ordering foot and compact foot brackets, order 2 pieces per cylinder.

* Parts included with each type of bracket are as follows.

Foot, Compact foot, Flange: Body mounting bolts, Double clevis: Clevis pin, Type C retaining rings for axis, Body mounting bolts

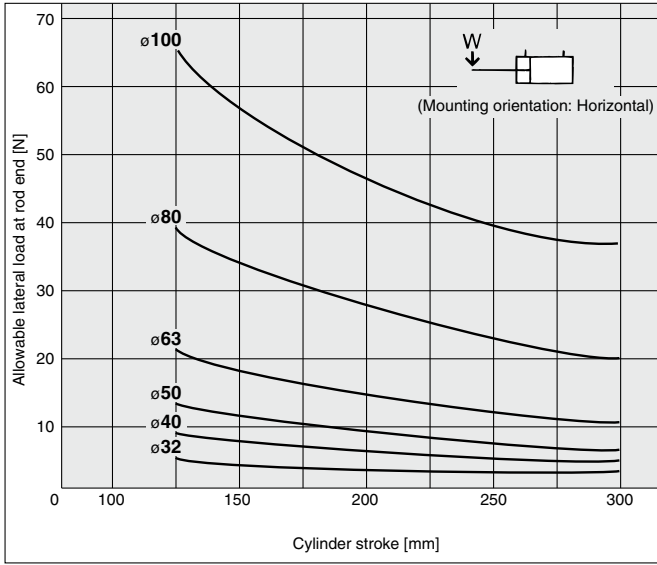
* For details on accessory brackets (Options) ⇨ p. 29 to 36

* Foot, compact foot, flange brackets, etc., cannot be retrofitted for through-hole mounting (B).

Dimensions of Each Mounting Bracket

The dimensions of each mounting bracket are the same as those of the standard type, double acting, single rod (except the configuration of the piston rod). Refer to pages 29 to 33.

Allowable Lateral Load at Rod End



Theoretical Output



Bore size [mm]	Operating direction	Operating pressure [MPa]		
		0.3	0.5	0.7
32	IN	181	302	422
	OUT	241	402	563
40	IN	317	528	739
	OUT	377	628	880
50	IN	495	825	1155
	OUT	589	982	1374
63	IN	841	1402	1962
	OUT	935	1559	2182
80	IN	1361	2268	3175
	OUT	1508	2513	3519
100	IN	2144	3574	5003
	OUT	2356	3927	5498

Weight

Without Auto Switch Magnet [g]

Bore size [mm]	Cylinder stroke [mm]					
	125	150	175	200	250	300
32	708	817	918	1017	1215	1415
40	888	997	1107	1217	1438	1657
50	1352	1517	1682	1841	2177	2507
63	1706	1900	2095	2292	2676	3065
80	2832	3130	3429	3725	4324	4921
100	4540	4906	5270	5634	6367	7096

With Auto Switch Magnet [g]

Bore size [mm]	Cylinder stroke [mm]					
	125	150	175	200	250	300
32	726	826	927	1026	1224	1424
40	902	1012	1121	1231	1451	1671
50	1367	1532	1697	1856	2192	2522
63	1730	1924	2119	2316	2700	3089
80	2856	3154	3453	3749	4348	4945
100	4578	4944	5308	5672	6405	7134

Additional Weight [g]

Bore size [mm]		32	40	50	63	80	100
Rod end male thread	Male thread	26	27	53	53	120	175
	Nut	17	17	32	32	49	116
Foot (Including mounting bolts)		104	122	194	272	550	912
Compact foot (Including mounting bolts)		79	93	148	210	454	707
Rod flange (Including mounting bolts)		165	198	348	534	1017	1309
Head flange (Including mounting bolts)		165	198	348	534	1017	1309
Double clevis (Including pin, retaining rings, bolts)		151	196	393	554	1109	1887

Calculation: (Example) **CQ2D32-200DCMZ**

- Basic weight: CQ2A32-200DCZ 1017 g
- Additional weight: Rod end male thread 43 g
- Double clevis 151 g
- 1211 g

Add each weight of auto switches when auto switches are mounted.

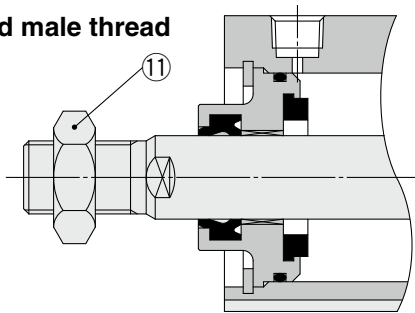
Double Acting, Single Rod **CQ2**
 Double Acting, Double Rod **CQ2W**
 Single Acting, Spring Return, Single Rod **CQ2**
 Double Acting, Spring Return, End **CQ2**
 Large Bore Size
 Double Acting, Double Rod **CQ2W**
 Double Acting, Single Rod **CQ2**
 Anti-lateral Load
 Double Acting, Single Rod **CQ2**
 Double Acting, Double Rod **CQ2W**
 Long Stroke
 Double Acting, Single Rod **CQ2**
 Double Acting, Double Rod **CQ2W**
 Non-rotating Rod
 Double Acting, Double Rod **CQ2KW**
 Water Resistant
 Double Acting, Double Rod **CQ2W-RV**
 Double Acting, Single Rod **CQ2-RV**
 Axial Piping
 Double Acting, Single Rod **CQP2**
 Single Acting, Spring Return, End **CQP2**
 With End Lock
 Double Acting, Single Rod **CBQ2**
 Auto Switch
 Made to Order

CQ2 Series

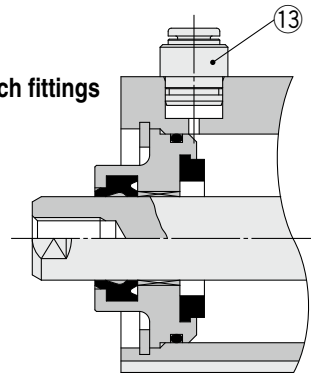
Construction



Rod end male thread



Built-in One-touch fittings



Component Parts

No.	Description	Material	Note
1	Cylinder tube	Aluminum alloy	Hard anodized
2	Piston	Aluminum alloy	
3	Piston rod	Carbon steel	Hard chrome plating
4	Collar	Aluminum alloy	Anodized
5	Bottom plate	Aluminum alloy	Anodized
6	Retaining ring	Carbon tool steel	Phosphate coated
7	Bumper A	Urethane	Pneumatic type only
8	Bumper B	Urethane	Pneumatic type only
9	Bushing	Bearing alloy	
10	Wear ring	Resin	
11	Rod end nut	Carbon steel	Zinc chromated
12	Magnet	—	For CDQ2A□ only
13	One-touch fitting	—	ø32 to ø63
14	Rod seal	NBR	
15	Piston seal	NBR	
16	Tube gasket	NBR	

Replacement Parts/Seal Kit

Pneumatic Type

Bore size [mm]	Kit no.	Contents
32	CQ2A32-L-PS	Set of nos. ⑭, ⑮, ⑯
40	CQ2A40-L-PS	
50	CQ2A50-L-PS	
63	CQ2A63-L-PS	
80	CQ2A80-L-PS	
100	CQ2A100-L-PS	

* Seal kit includes ⑭, ⑮, ⑯. Order the seal kit based on each bore size.

* The seal kit does not include a grease pack. Order it separately.

Grease pack part no.: GR-S-010 (10 g)

Air-hydro Type

Bore size [mm]	Kit no.	Contents
32	CQ2AH32-L-PS	Set of nos. ⑭, ⑮, ⑯
40	CQ2AH40-L-PS	
50	CQ2AH50-L-PS	
63	CQ2AH63-L-PS	
80	CQ2AH80-L-PS	
100	CQ2AH100-L-PS	

* Seal kit includes ⑭, ⑮, ⑯. Order the seal kit based on each bore size.

* The seal kit does not include a grease pack. Order it separately.

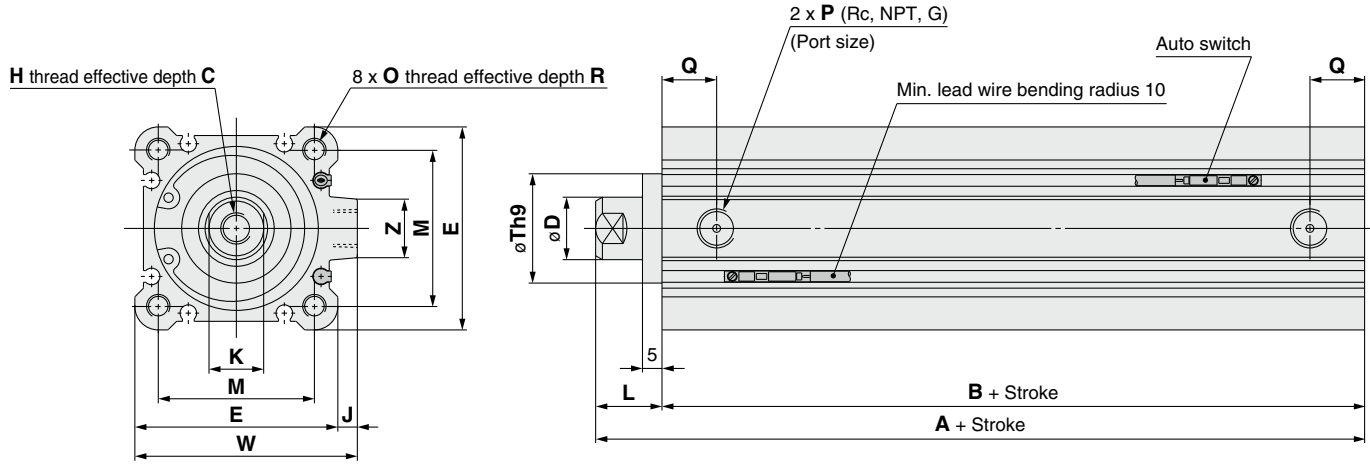
Grease pack part no.: GR-S-010 (10 g)

Bore Size

∅32 to ∅100 With/Without Auto Switch Magnet

The dimensions are the same with or without an auto switch magnet.

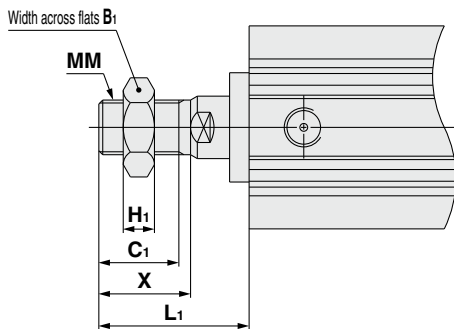
Both ends tapped: C□Q2A



Bore size [mm]	Stroke range [mm]	A	B	C	D	E	H	J	K	L	M	O	P	Q	R	Th9	W	Z
32	125, 150, 175, 200, 250, 300	62.5	45.5	13	16	45	M8 x 1.25	4.5	14	17	34	M6 x 1.0	1/8	10	10	22 ⁰ _{-0.052}	49.5	14
40		72	55	13	16	52	M8 x 1.25	5	14	17	40	M6 x 1.0	1/8	12.5	10	28 ⁰ _{-0.052}	57	15
50		73.5	55.5	15	20	64	M10 x 1.5	7	17	18	50	M8 x 1.25	1/4	14	14	35 ⁰ _{-0.062}	71	19
63		75	57	15	20	77	M10 x 1.5	7	17	18	60	M10 x 1.5	1/4	16.5	18	35 ⁰ _{-0.062}	84	19
80		86	66	21	25	98	M16 x 2.0	6	22	20	77	M12 x 1.75	3/8	19	22	43 ⁰ _{-0.062}	104	25
100		97.5	75.5	27	30	117	M20 x 2.5	6.5	27	22	94	M12 x 1.75	3/8	23	22	59 ⁰ _{-0.074}	123.5	25

- * For details on the rod end nut and accessory brackets ⇨ p. 34 to 36
- * For calculation on the longitudinal dimension of intermediate strokes ⇨ p. 81
- * For the auto switch proper mounting position and mounting height ⇨ p. 149 to 156

Rod end male thread



Bore size [mm]	B ₁	C ₁	H ₁	L ₁	MM	X
32	22	20.5	8	38.5	M14 x 1.5	23.5
40	22	20.5	8	38.5	M14 x 1.5	23.5
50	27	26	11	43.5	M18 x 1.5	28.5
63	27	26	11	43.5	M18 x 1.5	28.5
80	32	32.5	13	53.5	M22 x 1.5	35.5
100	41	32.5	16	53.5	M26 x 1.5	35.5

The dimensions with built-in One-touch fittings are equivalent to those of the standard type, double acting, single rod. ⇨ p. 27, 28

Dimensions of Each Mounting Bracket

The dimensions of each mounting bracket are the same as those of the standard type, double acting, single rod (except the configuration of the piston rod). Refer to pages 29 to 33.

Standard
Double Acting, Single Rod
CQ2

Standard
Double Acting, Double Rod
CQ2W

Single Acting, Spring Return-End
Double Acting, Double Rod
CQ2

Single Acting, Spring Return-End
Double Acting, Single Rod
CQ2

Large Bore Size
Double Acting, Double Rod
CQ2W

Double Acting, Double Rod
Double Acting, Single Rod
CQ2

Anti-lateral Load
Double Acting, Single Rod
CQ2□S

Long Stroke
Double Acting, Single Rod
CQ2

Non-rotating Rod
Double Acting, Single Rod
CQ2K

Double Acting, Double Rod
Double Acting, Single Rod
CQ2KW

Water Resistant
Double Acting, Single Rod
CQ2-R/V

Double Acting, Double Rod
Double Acting, Single Rod
CQ2W-R/V

Axial Piping
Double Acting, Single Rod
CQP2

Single Acting, Spring Return-End
Double Acting, Single Rod
CQP2

With End Lock
Double Acting, Single Rod
CBQ2

Auto Switch

Made to Order

Compact Cylinder: Non-rotating Rod Double Acting, Single Rod

CQ2K Series

ø12, ø16, ø20, ø25, ø32, ø40, ø50, ø63

How to Order

Without auto switch
ø12 to ø25

CQ2K B 20 □ - 30 D □ - □

Without auto switch
ø32 to ø63

CQ2K B 32 □ - 30 D □ Z - □

With auto switch

CDQ2K B 32 □ - 30 D □ Z - M9BW □ - □

① ② ③ ④ ⑤ ⑥ ⑦ ⑧ ⑨ ⑩

With auto switch magnet

The overall length of the cylinder with an auto switch magnet is longer than that of the cylinder without an auto switch magnet by the length of the built-in magnet. For details, refer to the dimensions of each size.

• Non-rotating rod

1 Mounting

B	Through-hole	ø12 to ø63
A	Both ends tapped	
L	Foot	ø40, ø50, ø63
LC	Compact foot	
F	Rod flange	
G	Head flange	
D	Double clevis	

- * Mounting brackets are shipped together with the product but do not come assembled.
- * A through-hole type mounting bolt is available as an option. For details:
Without auto switch magnet ⇨ p. 89
With auto switch magnet ⇨ p. 90
- * For cylinders with mounting options "L," "LC," or "F," the cylinder rod protrusion dimensions (Dimensions L and L_i) vary from the standard cylinder. When only ordering the cylinder, order the rod end length increased by 10 mm (-XC2) cylinder.
For details ⇨ p. 178

2 Bore size

12 ^{*1}	12 mm
16	16 mm
20	20 mm
25	25 mm
32	32 mm
40	40 mm
50	50 mm
63	63 mm

- *1 When ø12 with auto switch magnet is required, the body option should be with rubber bumper (C).
Example) CDQ2KB12-30DCZ

3 Port thread type

Nil	M thread	ø12 to ø25
	Rc	
TN	NPT	ø32 to ø63
TF	G	
F	Built-in One-touch fittings ^{*1}	

- *1 The bore sizes available with One-touch fittings are ø32 to ø63.
- * For cylinders without an auto switch magnet, M threads are compatible only with ø32-5 mm stroke.

4 Cylinder stroke

(For details on the minimum stroke for auto switch mounting ⇨ p. 157) [mm]

Bore size	Standard stroke
12, 16	5, 10, 15, 20, 25, 30
20, 25	5, 10, 15, 20, 25, 30, 35 40, 45, 50
32, 40	5, 10, 15, 20, 25, 30, 35 40, 45, 50, 75, 100
50, 63	10, 15, 20, 25, 30, 35, 40 45, 50, 75, 100

- * For the manufacturing of intermediate strokes ⇨ p. 87

5 Action

D	Double acting
----------	---------------

6 Body option

Nil	Rod end female thread
F	With boss on head end
C	With rubber bumper (ø12 with auto switch magnet only)
M	Rod end male thread

- * Combined body options "FM" can be selected.

Compact Cylinder: Non-rotating Rod Double Acting, Single Rod **CQ2K Series**



7 Auto switch mounting groove

Z	ø12 to ø25	2 surfaces
	ø32 to ø63	4 surfaces

8 Auto switch

Nil	Without auto switch
-----	---------------------

* For applicable auto switches, refer to the table below.

9 Number of auto switches

Nil	2
S	1
n	n

10 Made to order common specifications

For details ⇒ p. 87

Cylinder Model with Auto Switch Magnet

If a cylinder with an auto switch magnet and without an auto switch is required, there is no need to enter the symbol for the auto switch.
(Example) CDQ2KB32-30DZ

For details on **auto switch mounting** ⇒ p. 149 to 165

- Auto Switch Proper Mounting Position (Detection at stroke end) and Mounting Height
- Minimum Stroke for Auto Switch Mounting
- Operating Range
- Auto Switch Mounting Brackets/Part Nos.

Applicable Auto Switches / Refer to the Web Catalog for further information on auto switches.

Type	Special function	Electrical entry	Indicator light	Wiring (Output)	Load voltage		Auto switch model		Lead wire length [m]					Pre-wired connector	Applicable load		
					DC	AC	Perpendicular	In-line	0.5 (Nil)	1 (M)	3 (L)	5 (Z)	None (N)		IC circuit	Relay, PLC	
Solid state auto switch	—	Grommet	Yes	3-wire (NPN)	24 V	5 V, 12 V	—	M9NV	M9N	●	●	●	○	—			○
				3-wire (PNP)				M9PV	M9P	●	●	●	○	—	○		
	2-wire			M9BV				M9B	●	●	●	○	—	○			
	3-wire (NPN)			M9NVV				M9NV	●	●	●	○	—	○			
	3-wire (PNP)			M9PVV				M9PW	●	●	●	○	—	○			
	2-wire			M9BVV				M9BW	●	●	●	○	—	○			
	Diagnostic indication (2-color indicator)	Grommet	Yes	3-wire (NPN)	24 V	5 V, 12 V	—	M9NAV*1	M9NA*1	○	○	●	○	—	○	IC circuit	Relay, PLC
				3-wire (PNP)				M9PAV*1	M9PA*1	○	○	●	○	—	○		
				2-wire				M9BAV*1	M9BA*1	○	○	●	○	—	○		
				2-wire (Non-polar)				—	P3DWA	●	—	●	—	○	○		
Reed auto switch	—	Grommet	Yes	3-wire (NPN equivalent)	24 V	5 V, 12 V	100 V or less	A96V	A96	●	●	●	●	—	○	IC circuit	Relay, PLC
				2-wire				A93V	A93	●	●	●	●	—	○*2		
			No	2-wire	24 V	5 V, 12 V	100 V or less	A90V	A90	●	●	●	●	—	○*2	IC circuit	

*1 Water-resistant type auto switches can be mounted on the models on page 85, but SMC cannot guarantee water resistance.

Please contact SMC regarding water-resistant types with the model numbers on page 85.

*2 The load voltage used is 24 VDC.

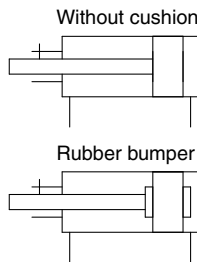
* Lead wire length symbols: 0.5 m Nil (Example) M9NV
1 m M (Example) M9NVM
3 m L (Example) M9NVL
5 m Z (Example) M9NVZ

* Auto switches marked with a "○" are produced upon receipt of order.
* The D-P3DWA□ type is only available in sizes ø25 to ø63.

* There are applicable auto switches other than those listed above. For details ⇒ p. 165

CQ2K Series

Symbol



Made to Order Common Specifications (For details ⇨ p. 167 to 196)

Symbol	Specifications
-XA□	Change of rod end shape
-XB6	Heat-resistant cylinder (-10 to 150°C)
-XB10	Intermediate stroke (Exclusive body type)
-XC2(A)	Rod end length increased by 10 mm (For foot and flange bracket)
-XC8	Adjustable stroke cylinder/Adjustable extension type
-XC9	Adjustable stroke cylinder/Adjustable retraction type
-XC10	Dual stroke cylinder/Double rod type
-XC11	Dual stroke cylinder/Single rod type
-XC26	With split pins for double clevis pin/ double knuckle joint pin and flat washers
-XC27	Double clevis pin/Double knuckle joint pin material: Stainless steel 304
-XC36	With boss on rod end*1
-XC85	Grease for food processing equipment
-X1876	Cylinder tube: With concave boss on head end

*1 The standard model can be used for the type with boss on the rod end (-XC36).

* Stainless steel accessories are also available.
For details ⇨ p. 34

Moisture Control Tube IDK Series



When operating an actuator with a small bore size and a short stroke at a high frequency, dew condensation (water droplets) may occur inside the piping depending on the conditions.

Simply connecting the moisture control tube to the actuator will prevent dew condensation from occurring. For details, refer to the **Web Catalog**.

⚠ Precautions

Refer to pages 197 and 198 before handling the products.

Specifications

Bore size [mm]	12	16	20	25	32	40	50	63
Action	Double acting, Single rod							
Fluid	Air							
Proof pressure	1.5 MPa							
Maximum operating pressure	1.0 MPa							
Minimum operating pressure	0.07 MPa	0.05 MPa						
Ambient and fluid temperatures	Without auto switch magnet: -10 to 70°C (No freezing) With auto switch magnet: -10 to 60°C							
Lubrication	Not required (Non-lube)							
Piston speed	50 to 500 mm/s							
Cushion	Without cushion or With rubber bumper (ø12 only) *1							
Allowable kinetic energy [J]	0.022 0.043*1	0.038	0.055	0.09	0.15	0.26	0.46	0.77
Stroke length tolerance	+1.0 mm ^{*2} 0							
Rod non-rotating accuracy	±2°	±1°			±0.8°			

*1 For cylinders with rubber bumper (ø12 with auto switch magnet only)

*2 Stroke length tolerance does not include the amount of bumper change.

* ø12 with auto switch magnet: With rubber bumper (Standard)

Manufacturing of Intermediate Strokes

Type	A spacer is installed in the standard stroke body.	Exclusive body (-XB10)		
Part no.	Refer to "How to Order" for the standard model number. (⇨ p. 85)	Suffix "-XB10" to the end of standard model number. (⇨ p. 85)		
Description	Strokes in 1 mm increments are available by installing a spacer in the standard stroke cylinder.	Strokes in 1 mm increments are available by using an exclusive body with the specified stroke.		
Stroke range	Bore size	Stroke range	Bore size	Stroke range
	12, 16	1 to 29	—	—
	20, 25	1 to 49	40	6 to 99
	32 to 63	1 to 99	50, 63	11 to 99
Example	Part no.: CQ2KB50-57DZ CQ2KB50-75DZ with 18 mm width spacer inside The B dimension is 115.5 mm.	Part no.: CQ2KB50-57DZ-XB10 Makes 57 mm stroke tube. The B dimension is 97.5 mm.		

Mounting Bracket Part Nos.

Bore size [mm]	Foot*1	Compact foot*1	Flange	Double clevis	Double clevis pivot bracket
40	CQ-L040	CQ-LC040	CQ-F040	CQ-D040	CQ-C040
50	CQ-L050	CQ-LC050	CQ-F050	CQ-D050	CQ-C050
63	CQ-L063	CQ-LC063	CQ-F063	CQ-D063	CQ-C063

*1 When ordering foot and compact foot brackets, order 2 pieces per cylinder.

* Parts included with each type of bracket are as follows.

Foot, Compact foot, Flange: Body mounting bolts

Double clevis: Clevis pin, Type C retaining rings for axis, Body mounting bolts

* For details on accessory brackets (Options) ⇨ p. 29 to 36

* Foot, compact foot, flange brackets, etc., cannot be retrofitted for through-hole mounting (B).

Dimensions of Each Mounting Bracket

The dimensions of each mounting bracket are the same as those of the standard type, double acting, single rod (except the configuration of the piston rod). Refer to pages 29 to 33.

Weight

Without Auto Switch Magnet [g]

Bore size [mm]	Cylinder stroke [mm]											
	5	10	15	20	25	30	35	40	45	50	75	100
12	60	67	74	81	88	95	—	—	—	—	—	—
16	58	67	76	85	94	103	—	—	—	—	—	—
20	103	117	131	145	159	173	187	201	215	229	—	—
25	137	152	167	182	197	212	227	242	257	272	—	—
32	196	215	234	253	272	291	310	329	347	366	506	601
40	205	226	248	269	291	312	333	355	376	398	570	682
50	—	356	390	424	457	491	525	559	592	626	901	1075
63	—	524	563	602	641	680	720	759	798	837	1173	1375

With Auto Switch Magnet [g]

Bore size [mm]	Cylinder stroke [mm]											
	5	10	15	20	25	30	35	40	45	50	75	100
12	71	77	83	89	96	102	—	—	—	—	—	—
16	74	82	89	97	105	113	—	—	—	—	—	—
20	119	132	144	156	168	180	192	204	217	229	—	—
25	162	177	192	208	223	238	254	269	284	300	—	—
32	227	247	266	286	306	326	345	365	385	404	504	604
40	240	261	283	305	326	348	369	391	413	434	546	658
50	—	433	466	499	532	565	598	630	663	697	869	1041
63	—	622	660	698	736	774	812	850	888	926	1124	1321

Theoretical Output



Bore size [mm]	Operating direction	Operating pressure [MPa]		
		0.3	0.5	0.7
12	IN	25	42	59
	OUT	34	57	79
16	IN	45	75	106
	OUT	60	101	141
20	IN	71	118	165
	OUT	94	157	220
25	IN	113	189	264
	OUT	147	245	344
32	IN	181	302	422
	OUT	241	402	563
40	IN	317	528	739
	OUT	377	628	880
50	IN	495	825	1150
	OUT	589	982	1370
63	IN	841	1400	1960
	OUT	935	1560	2180

Additional Weight [g]

Bore size [mm]	12	16	20	25	32	40	50	63
Both ends tapped	—	—	—	—	—	6	6	19
Rod end male thread	Male thread	1.5	3	6	12	26	27	53
	Nut	1	2	4	8	17	17	32
With boss on head end	0.7	1.3	2	3	5	7	13	25
Built-in One-touch fittings	—	—	—	—	12	12	21	21
Foot (Including mounting bolts)	—	—	—	—	—	138	219	297
Compact foot (Including mounting bolts)	—	—	—	—	—	109	172	234
Rod flange (Including mounting bolts)	—	—	—	—	—	213	372	558
Head flange (Including mounting bolts)	—	—	—	—	—	198	348	534
Double clevis (Including pin, retaining rings, bolts)	—	—	—	—	—	196	393	554

Calculation: (Example) **CDQ2KD40-25DMZ**

- Basic weight: CDQ2KB40-25DZ 326 g
- Additional weight: Both ends tapped 6 g
- Rod end male thread 44 g
- Double clevis 196 g
- 572 g

Add each weight of auto switches when auto switches are mounted.

Standard	Double Acting, Double Rod	CQ2
Standard	Double Acting, Single Rod	CQ2W
Standard	Single Acting, Spring Return, End	CQ2
Standard	Single Acting, Spring Return, End	CQ2
Large Bore Size	Double Acting, Double Rod	CQ2
Large Bore Size	Double Acting, Single Rod	CQ2W
Anti-lateral Load	Double Acting, Single Rod	CQ2
Anti-lateral Load	Double Acting, Single Rod	CQ2
Long Stroke	Double Acting, Single Rod	CQ2
Long Stroke	Double Acting, Single Rod	CQ2
Non-rotating Rod	Double Acting, Single Rod	CQ2K
Non-rotating Rod	Double Acting, Double Rod	CQ2KW
Water Resistant	Double Acting, Single Rod	CQ2-R/V
Water Resistant	Double Acting, Double Rod	CQ2W-R/V
Axial Piping	Double Acting, Single Rod	CQP2
Axial Piping	Double Acting, Single Rod	CQP2
With End Lock	Double Acting, Single Rod	CBQ2
With End Lock	Double Acting, Single Rod	CBQ2
Auto Switch		Auto Switch
Made to Order		Made to Order

CQ2K Series

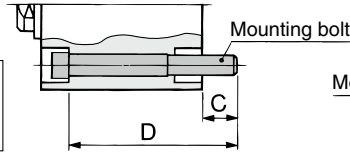
Through-hole Type Mounting Bolt for the CQ2K: Without Auto Switch Magnet

Mounting bolt for the through-hole mounting of the CQ2KB is available as an option.
Refer to the following for ordering procedures.
Order the actual number of bolts that will be used.
For models with an auto switch magnet ⇨ p. 90

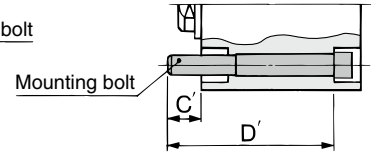
Example) CQ-M3 x 30L 2 pcs.

Type: Hexagon socket head cap screw
Material: Chromium molybdenum steel
Surface treatment: Zinc chromated

Head end mounting



Rod end mounting



Cylinder model	C	D	Mounting bolt part no.	C'	D'	Mounting bolt part no.
CQ2KB12-5D	6.5	30	CQ-M3 x 30L	6.5	30	CQ-M3 x 30L
-10D		35	x 35L		35	x 35L
-15D		40	x 40L		40	x 40L
-20D		45	x 45L		45	x 45L
-25D		50	x 50L		50	x 50L
-30D		55	x 55L		55	x 55L
CQ2KB16-5D	5	30	CQ-M3 x 30L	5	30	CQ-M3 x 30L
-10D		35	x 35L		35	x 35L
-15D		40	x 40L		40	x 40L
-20D		45	x 45L		45	x 45L
-25D		50	x 50L		50	x 50L
-30D		55	x 55L		55	x 55L
CQ2KB20-5D	8	35	CQ-M5 x 35L	9.5	35	CQ-M5 x 35L
-10D		40	x 40L		40	x 40L
-15D		45	x 45L		45	x 45L
-20D		50	x 50L		50	x 50L
-25D		55	x 55L		55	x 55L
-30D		60	x 60L		60	x 60L
-35D		65	x 65L		65	x 65L
-40D		70	x 70L		70	x 70L
-45D		75	x 75L		75	x 75L
-50D		80	x 80L		80	x 80L
CQ2KB25-5D		10	40		CQ-M5 x 40L	6.5
-10D	45		x 45L	40	x 40L	
-15D	50		x 50L	45	x 45L	
-20D	55		x 55L	50	x 50L	
-25D	60		x 60L	55	x 55L	
-30D	65		x 65L	60	x 60L	
-35D	70		x 70L	65	x 65L	
-40D	75		x 75L	70	x 70L	
-45D	80		x 80L	75	x 75L	
-50D	85		x 85L	80	x 80L	
CQ2KB32-5DZ	8.5	40	CQ-M5 x 40L	10	40	CQ-M5 x 40L
-10DZ		45	x 45L		45	x 45L
-15DZ		50	x 50L		50	x 50L
-20DZ		55	x 55L		55	x 55L
-25DZ		60	x 60L		60	x 60L
-30DZ		65	x 65L		65	x 65L
-35DZ		70	x 70L		70	x 70L
-40DZ		75	x 75L		75	x 75L
-45DZ		80	x 80L		80	x 80L
-50DZ		85	x 85L		85	x 85L
-75DZ		120	x 120L		120	x 120L
-100DZ		145	x 145L		145	x 145L

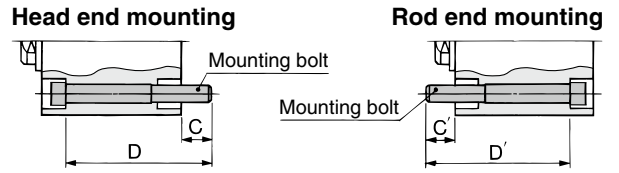
Cylinder model	C, C'	D, D'	Mounting bolt part no.
CQ2KB40-5DZ	7.5	35	CQ-M5 x 35L
-10DZ		40	x 40L
-15DZ		45	x 45L
-20DZ		50	x 50L
-25DZ		55	x 55L
-30DZ		60	x 60L
-35DZ		65	x 65L
-40DZ		70	x 70L
-45DZ		75	x 75L
-50DZ		80	x 80L
CQ2KB50-10DZ	12.5	45	CQ-M6 x 45L
-15DZ		50	x 50L
-20DZ		55	x 55L
-25DZ		60	x 60L
-30DZ		65	x 65L
-35DZ		70	x 70L
-40DZ		75	x 75L
-45DZ		80	x 80L
-50DZ		85	x 85L
-75DZ		120	x 120L
CQ2KB63-10DZ	14.5	145	x 145L
-10DZ		50	CQ-M8 x 50L
-15DZ		55	x 55L
-20DZ		60	x 60L
-25DZ		65	x 65L
-30DZ		70	x 70L
-35DZ		75	x 75L
-40DZ		80	x 80L
-45DZ		85	x 85L
-50DZ		90	x 90L
-75DZ	125	x 125L	
-100DZ	150	x 150L	

Through-hole Type Mounting Bolt for the CDQ2KB: With Auto Switch Magnet

Mounting bolt for the through-hole mounting of the CDQ2KB is available as an option.
Refer to the following for ordering procedures.
Order the actual number of bolts that will be used.
For models without an auto switch magnet ⇨ p. 89

Example) CQ-M3 x 35L 2 pcs.

Type: Hexagon socket head cap screw
Material: Chromium molybdenum steel
Surface treatment: Zinc chromated



Cylinder model	C	D	Mounting bolt part no.	C'	D'	Mounting bolt part no.
CDQ2KB12-5DCZ	5.5	35	CQ-M3 x 35L	5.5	40	CQ-M3 x 40L
-10DCZ		40	x 40L		45	x 45L
-15DCZ		45	x 45L		50	x 50L
-20DCZ		50	x 50L		55	x 55L
-25DCZ		55	x 55L		60	x 60L
-30DCZ		60	x 60L		65	x 65L
CDQ2KB16-5DZ	8	40	CQ-M3 x 40L	8	45	CQ-M3 x 45L
-10DZ		45	x 45L		50	x 50L
-15DZ		50	x 50L		55	x 55L
-20DZ		55	x 55L		60	x 60L
-25DZ		60	x 60L		65	x 65L
-30DZ		65	x 65L		70	x 70L
CDQ2KB20-5DZ	10.5	40	CQ-M5 x 40L	7.5	45	CQ-M5 x 45L
-10DZ		45	x 45L		50	x 50L
-15DZ		50	x 50L		55	x 55L
-20DZ		55	x 55L		60	x 60L
-25DZ		60	x 60L		65	x 65L
-30DZ		65	x 65L		70	x 70L
-35DZ		70	x 70L		75	x 75L
-40DZ		75	x 75L		80	x 80L
-45DZ		80	x 80L		85	x 85L
-50DZ		85	x 85L		90	x 90L
CDQ2KB25-5DZ	9.5	40	CQ-M5 x 40L	6.5	45	CQ-M5 x 45L
-10DZ		45	x 45L		50	x 50L
-15DZ		50	x 50L		55	x 55L
-20DZ		55	x 55L		60	x 60L
-25DZ		60	x 60L		65	x 65L
-30DZ		65	x 65L		70	x 70L
-35DZ		70	x 70L		75	x 75L
-40DZ		75	x 75L		80	x 80L
-45DZ		80	x 80L		85	x 85L
-50DZ		85	x 85L		90	x 90L
CDQ2KB32-5DZ	8.5	50	CQ-M5 x 50L	10	50	CQ-M5 x 50L
-10DZ		55	x 55L		55	x 55L
-15DZ		60	x 60L		60	x 60L
-20DZ		65	x 65L		65	x 65L
-25DZ		70	x 70L		70	x 70L
-30DZ		75	x 75L		75	x 75L
CDQ2KB32-40DZ	8.5	85	CQ-M5 x 85L	10	85	CQ-M5 x 85L
-45DZ		90	x 90L		90	x 90L
-50DZ		95	x 95L		95	x 95L
-75DZ		120	x 120L		120	x 120L
-100DZ		145	x 145L		145	x 145L

Cylinder model	C, C'	D, D'	Mounting bolt part no.
CDQ2KB40-5DZ	7.5	45	CQ-M5 x 45L
-10DZ		50	x 50L
-15DZ		55	x 55L
-20DZ		60	x 60L
-25DZ		65	x 65L
-30DZ		70	x 70L
-35DZ		75	x 75L
-40DZ		80	x 80L
-45DZ		85	x 85L
-50DZ		90	x 90L
CDQ2KB50-10DZ	12.5	55	CQ-M6 x 55L
-15DZ		60	x 60L
-20DZ		65	x 65L
-25DZ		70	x 70L
-30DZ		75	x 75L
-35DZ		80	x 80L
-40DZ		85	x 85L
-45DZ		90	x 90L
-50DZ		95	x 95L
-75DZ		120	x 120L
-100DZ	145	x 145L	
CDQ2KB63-10DZ	14.5	60	CQ-M8 x 60L
-15DZ		65	x 65L
-20DZ		70	x 70L
-25DZ		75	x 75L
-30DZ		80	x 80L
-35DZ		85	x 85L
-40DZ		90	x 90L
-45DZ		95	x 95L
-50DZ		100	x 100L
-75DZ		125	x 125L
-100DZ	150	x 150L	

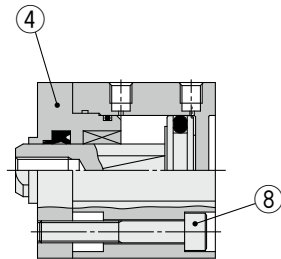
Standard Double Acting, Single Rod **CQ2**
 Double Acting, Double Rod **CQ2W**
 Single Acting, Spring Return-End **CQ2**
 Large Bore Size Double Acting, Double Rod **CQ2W**
 Double Acting, Single Rod **CQ2**
 Anti-lateral Load Double Acting, Single Rod **CQ2**
 Long Stroke Double Acting, Single Rod **CQ2**
 Non-rotating Rod Double Acting, Double Rod **CQ2K**
 Double Acting, Single Rod **CQ2KW**
 Water Resistant Double Acting, Double Rod **CQ2-RV**
 Double Acting, Single Rod **CQ2-RV**
 Axial Piping Double Acting, Single Rod **CQ2**
 Single Acting, Spring Return-End **CQ2**
 With End Lock Double Acting, Single Rod **CBQ2**
 Auto Switch **Auto Switch**
 Made to Order **Made to Order**

CQ2K Series

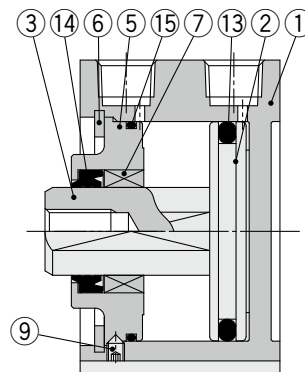
Construction

Without auto switch magnet

ø12 to ø32

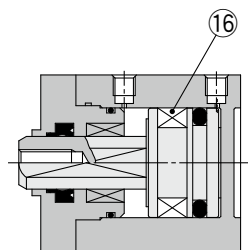


ø40 to ø63

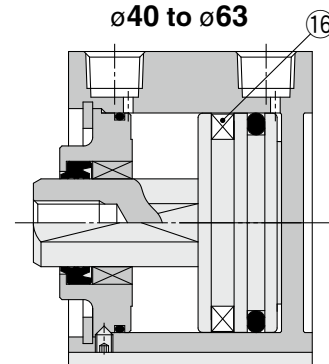


With auto switch magnet

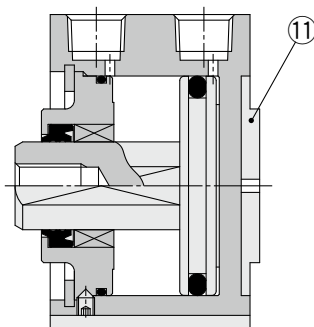
ø12 to ø32



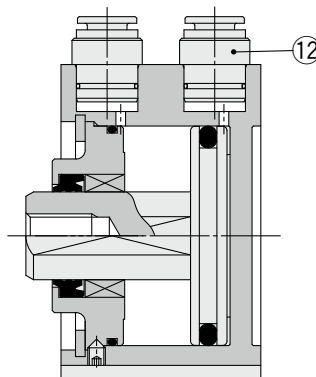
ø40 to ø63



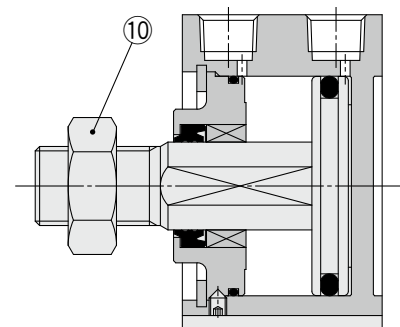
With boss on head end



Built-in One-touch fittings



Rod end male thread



Component Parts

No.	Description	Material	Note
1	Cylinder tube	Aluminum alloy	Hard anodized
2	Piston	Aluminum alloy	
3	Piston rod	Stainless steel	ø12 to ø25
		Carbon steel	ø32 to ø63, Hard chrome plating
4	Rod cover	Brass	ø12, Electroless nickel plating
		Aluminum alloy	ø16 to ø32, Anodized
5	Collar	Aluminum alloy	ø40 to ø63, Anodized
6	Retaining ring	Carbon tool steel	Phosphate coated
7	Bushing	Oil-impregnated sintered alloy	ø16 to ø63
8	Hexagon socket head cap screw	Alloy steel	ø12 to ø32, Nickel plating
9	Hexagon socket head set screw	Alloy steel	ø40 to ø63, Nickel plating
10	Rod end nut	Carbon steel	Zinc chromated
11	Centering location ring	Aluminum alloy	ø20 to ø63, Anodized
12	One-touch fitting	—	ø32 to ø63
13	Piston seal	NBR	
14	Rod seal	NBR	
15	Tube gasket	NBR	
16	Magnet	—	

Replacement Parts/Seal Kit

Bore size [mm]	Kit no.	Contents
12	CQ2KB12-PS	Set of nos. 13, 14, 15
16	CQ2KB16-PS	
20	CQ2KB20-PS	
25	CQ2KB25-PS	
32	CQ2KB32-PS	
40	CQ2KB40-PS	
50	CQ2KB50-PS	
63	CQ2KB63-PS	

* Seal kit includes 13, 14, 15. Order the seal kit based on each bore size.

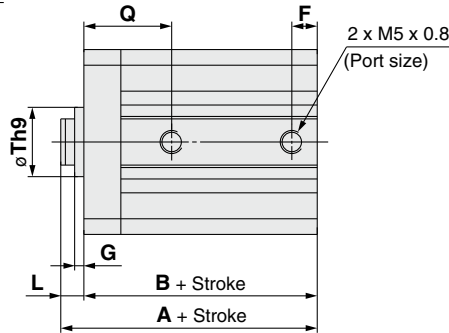
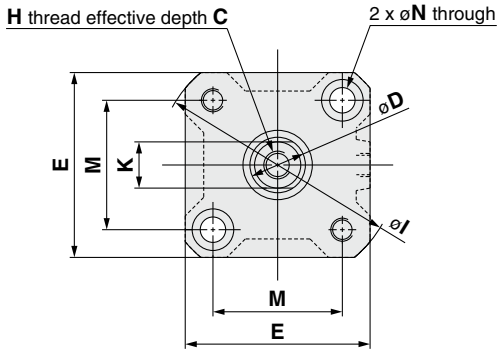
* The seal kit does not include a grease pack. Order it separately.

Grease pack part no.: GR-S-010 (10 g)

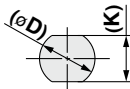
Bore Size

∅12 to ∅25 Without Auto Switch Magnet

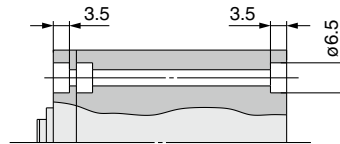
Through-hole: CQ2KB



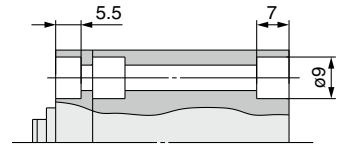
Piston rod cross section



∅12, ∅16



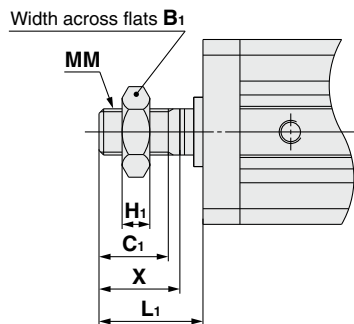
∅20, ∅25



Bore size [mm]	Stroke range [mm]	A	B	C	D	E	F	G	H	I	K	L	M	N	Q	Th9
12	5 to 30	25.5	22	6	6	25	5	1.5	M3 x 0.5	32	5.2	3.5	15.5	3.5	12.5	15 ⁰ _{-0.043}
16	5 to 30	27	23.5	8	8	29	5.5	1.5	M4 x 0.7	38	6	3.5	20	3.5	13	20 ⁰ _{-0.052}
20	5 to 50	32	27.5	7	10	36	5.5	2	M5 x 0.8	47	8	4.5	25.5	5.5	16	13 ⁰ _{-0.043}
25	5 to 50	35.5	30.5	12	12	40	5.5	2	M6 x 1.0	52	10	5	28	5.5	17	15 ⁰ _{-0.043}

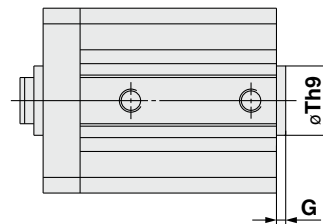
* For details on the rod end nut and accessory brackets ⇨ p. 34 to 36

Rod end male thread



Bore size [mm]	B ₁	C ₁	H ₁	L ₁	MM	X
12	8	9	4	14	M5 x 0.8	10.5
16	10	10	5	15.5	M6 x 1.0	12
20	13	12	5	18.5	M8 x 1.25	14
25	17	15	6	22.5	M10 x 1.25	17.5

With boss on head end



Bore size [mm]	G	Th9
12	1.5	15 ⁰ _{-0.043}
16	1.5	20 ⁰ _{-0.052}
20	2	13 ⁰ _{-0.043}
25	2	15 ⁰ _{-0.043}

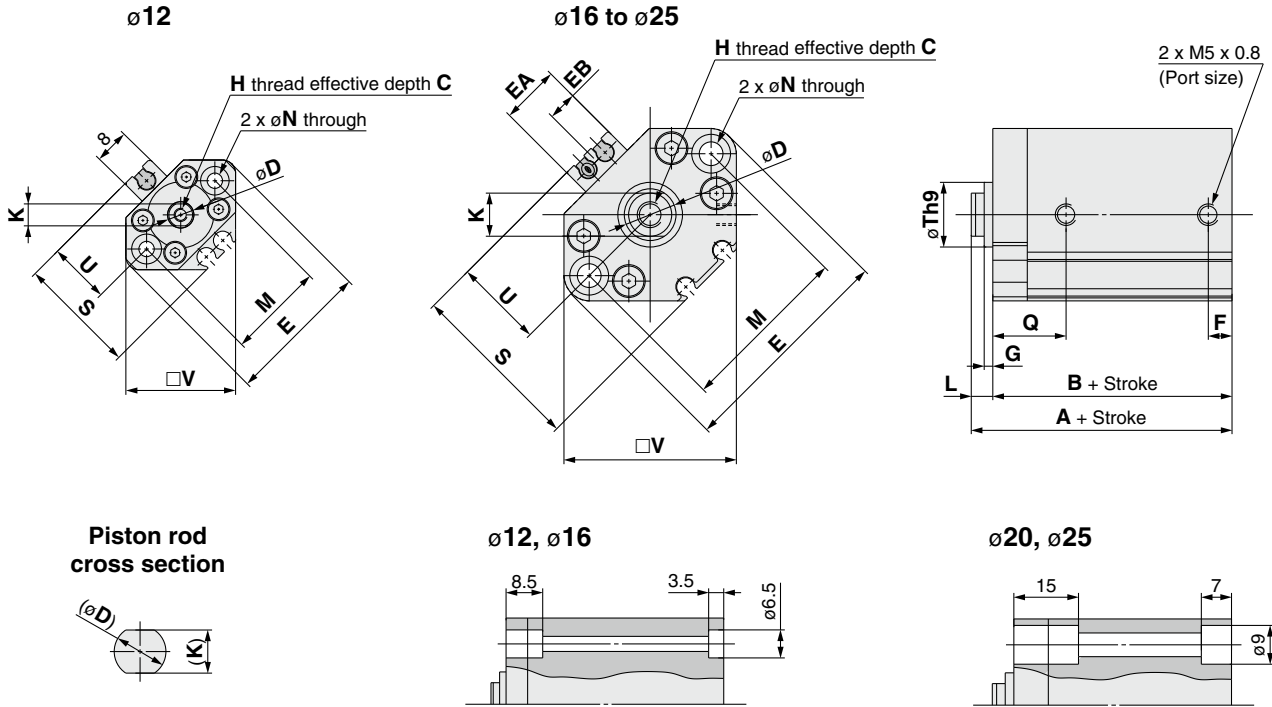
Standard	Double Acting, Single Rod	CQ2
Standard	Double Acting, Double Rod	CQ2W
Standard	Single Acting, Spring Return, End	CQ2
Standard	Single Acting, Spring Return, End	CQ2
Large Bore Size	Double Acting, Single Rod	CQ2
Large Bore Size	Double Acting, Double Rod	CQ2W
Anti-lateral Load	Double Acting, Single Rod	CQ2□S
Anti-lateral Load	Double Acting, Double Rod	CQ2□S
Long Stroke	Double Acting, Single Rod	CQ2
Long Stroke	Double Acting, Double Rod	CQ2
Non-rotating Rod	Double Acting, Single Rod	CQ2K
Non-rotating Rod	Double Acting, Double Rod	CQ2KW
Water Resistant	Double Acting, Single Rod	CQ2-RV
Water Resistant	Double Acting, Double Rod	CQ2W-RV
Axial Piping	Double Acting, Single Rod	CQP2
Axial Piping	Double Acting, Double Rod	CQP2
Axial Piping	Single Acting, Spring Return, End	CQP2
With End Lock	Double Acting, Single Rod	CBQ2
With End Lock	Double Acting, Double Rod	CBQ2
Auto Switch	Double Acting, Single Rod	CQ2AS
Auto Switch	Double Acting, Double Rod	CQ2WAS
Made to Order	Double Acting, Single Rod	CQ2MO
Made to Order	Double Acting, Double Rod	CQ2WMO

CQ2K Series

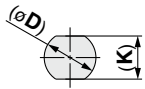
Bore Size

∅12 to ∅25 With Auto Switch Magnet

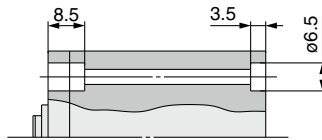
Through-hole: CDQ2KB



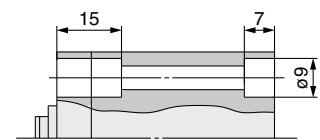
Piston rod cross section



∅12, ∅16



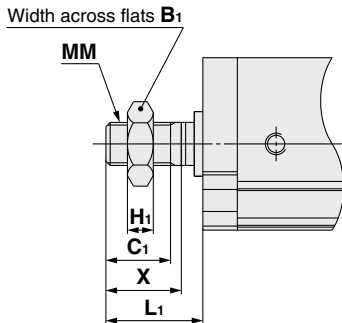
∅20, ∅25



Bore size [mm]	Stroke range [mm]	A	B	C	D	E	EA	EB	F	G	H	K	L	M	N	Q	S	Th9	U	V
12	5 to 30	36.5	33	6	6	33	—	—	6.5	1.5	M3 x 0.5	5.2	3.5	22	3.5	16	27.5	15 ⁰ _{-0.043}	14	25
16	5 to 30	39	35.5	8	8	37	13.2	6.6	5.5	1.5	M4 x 0.7	6	3.5	28	3.5	15	29.5	20 ⁰ _{-0.052}	15	29
20	5 to 50	44	39.5	7	10	47	13.6	6.8	5.5	2	M5 x 0.8	8	4.5	36	5.5	16	35.5	13 ⁰ _{-0.043}	18	36
25	5 to 50	45.5	40.5	12	12	52	13.6	6.8	5.5	2	M6 x 1.0	10	5	40	5.5	17	40.5	15 ⁰ _{-0.043}	21	40

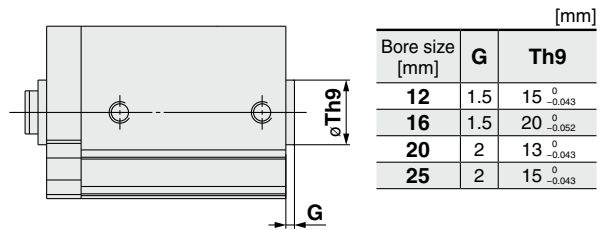
* For details on the rod end nut and accessory brackets ⇨ p. 34 to 36
 * For the auto switch proper mounting position and mounting height ⇨ p. 149 to 156

Rod end male thread



Bore size [mm]	B ₁	C ₁	H ₁	L ₁	MM	X
12	8	9	4	14	M5 x 0.8	10.5
16	10	10	5	15.5	M6 x 1.0	12
20	13	12	5	18.5	M8 x 1.25	14
25	17	15	6	22.5	M10 x 1.25	17.5

With boss on head end

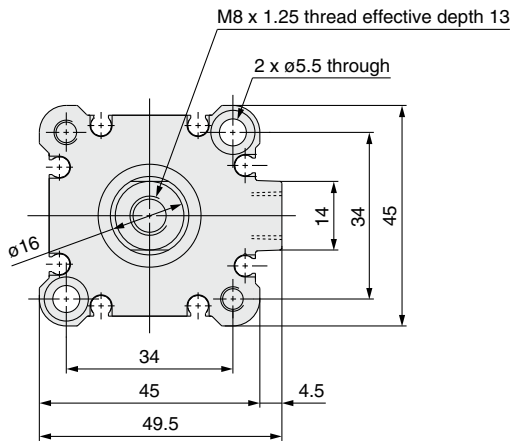


Bore size [mm]	G	Th9
12	1.5	15 ⁰ _{-0.043}
16	1.5	20 ⁰ _{-0.052}
20	2	13 ⁰ _{-0.043}
25	2	15 ⁰ _{-0.043}

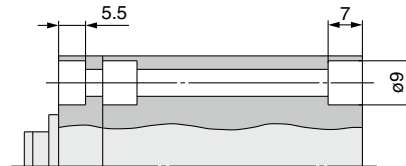
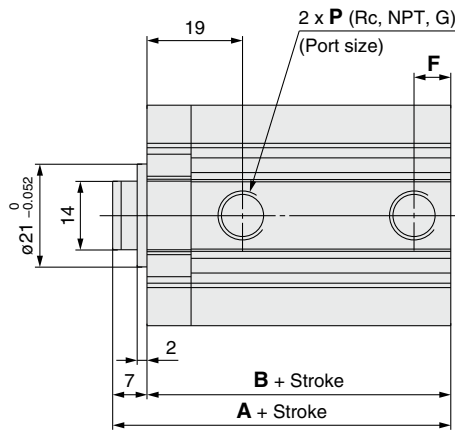
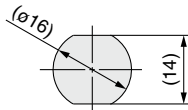
Bore Size

∅32 With/Without Auto Switch Magnet

Through-hole: **C□Q2KB**

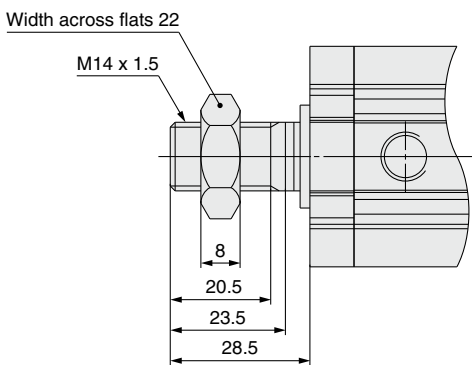


Piston rod cross section

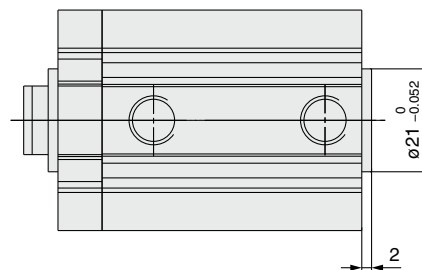


Stroke range [mm]	Without auto switch magnet				With auto switch magnet			
	A	B	F	P	A	B	F	P
5			5.5	M5 x 0.8				
10 to 50	39	32	7.5	1/8	49	42	7.5	1/8
75, 100	49	42						

Rod end male thread



With boss on head end



The dimensions with built-in One-touch fittings are equivalent to those of the standard type, double acting, single rod. ⇨ p. 27

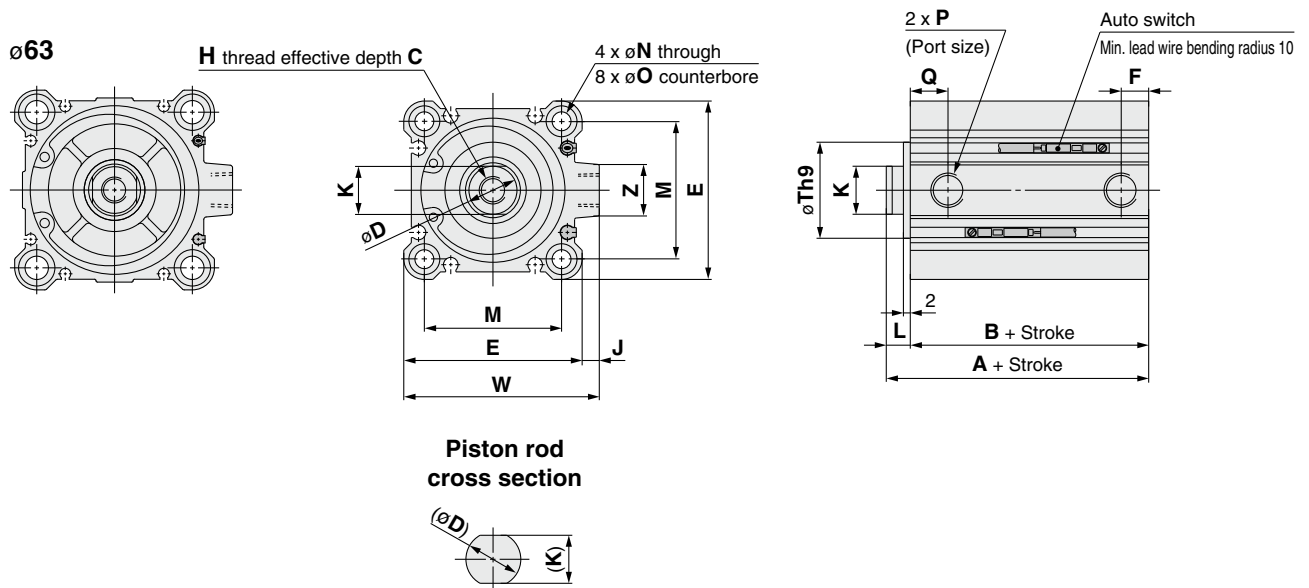
Standard	Double Acting, Single Rod	CQ2
Standard	Double Acting, Double Rod	CQ2W
Standard	Single Acting, Spring Return, Single Rod	CQ2
Standard	Single Acting, Spring Return, Double Rod	CQ2W
Large Bore Size	Double Acting, Single Rod	CQ2
Large Bore Size	Double Acting, Double Rod	CQ2W
Anti-lateral Load	Double Acting, Single Rod	CQ2□S
Anti-lateral Load	Double Acting, Double Rod	CQ2□SW
Long Stroke	Double Acting, Single Rod	CQ2
Long Stroke	Double Acting, Double Rod	CQ2W
Non-rotating Rod	Double Acting, Single Rod	CQ2K
Non-rotating Rod	Double Acting, Double Rod	CQ2KW
Water Resistant	Double Acting, Single Rod	CQ2-R/V
Water Resistant	Double Acting, Double Rod	CQ2W-R/V
Water Resistant	Double Acting, Single Rod	CQ2
Water Resistant	Double Acting, Double Rod	CQ2W
Axial Piping	Double Acting, Single Rod	CQP2
Axial Piping	Double Acting, Double Rod	CQP2W
With End Lock	Double Acting, Single Rod	CBQ2
With End Lock	Double Acting, Double Rod	CBQ2W
Auto Switch	Double Acting, Single Rod	CQ2AS
Auto Switch	Double Acting, Double Rod	CQ2WAS
Made to Order	Double Acting, Single Rod	CQ2MO
Made to Order	Double Acting, Double Rod	CQ2WMO

CQ2K Series

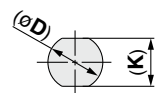
Bore Size

∅40 to ∅63 With/Without Auto Switch Magnet

Through-hole: C□Q2KB



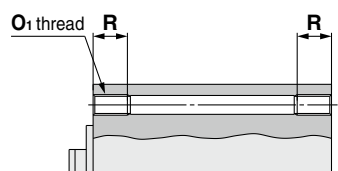
Piston rod cross section



Bore size [mm]	Stroke range [mm]	Without auto switch magnet		With auto switch magnet		C	D	E	F	H	J	K	L	M	N	O	P	Q	Th9	W	Z
		A	B	A	B																
40	5 to 50	36.5	29.5	46.5	39.5	13	16	52	7.5	M8 x 1.25	5	14	7	40	5.5	9 depth 7	1/8	12.5	28 ⁰ _{-0.052}	57	15
	75, 100	46.5	39.5																		
50	10 to 50	38.5	30.5	48.5	40.5	15	20	64	10.5	M10 x 1.5	7	18	8	50	6.6	11 depth 8	1/4	10.5	35 ⁰ _{-0.062}	71	19
	75, 100	48.5	40.5																		
63	10 to 50	44	36	54	46	15	20	77	10.5	M10 x 1.5	7	18	8	60	9	14 depth 10.5	1/4	15	35 ⁰ _{-0.062}	84	19
	75, 100	54	46																		

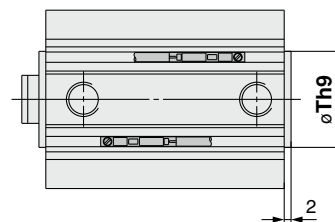
* For details on the rod end nut and accessory brackets ⇨ p. 34 to 36

Both ends tapped



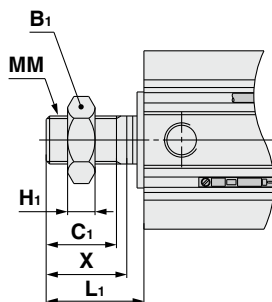
Bore size [mm]	O ₁	R
40	M6 x 1.0	10
50	M8 x 1.25	14
63	M10 x 1.5	18

With boss on head end



Bore size [mm]	Th9
40	28 ⁰ _{-0.052}
50	35 ⁰ _{-0.062}
63	35 ⁰ _{-0.062}

Rod end male thread



Bore size [mm]	B ₁	C ₁	H ₁	L ₁	MM	X
40	22	20.5	8	28.5	M14 x 1.5	23.5
50	27	26	11	33.5	M18 x 1.5	28.5
63	27	26	11	33.5	M18 x 1.5	28.5

The dimensions with built-in One-touch fittings are equivalent to those of the standard type, double acting, single rod. ⇨ p. 27, 28

Dimensions of Each Mounting Bracket

The dimensions of each mounting bracket are the same as those of the standard type, double acting, single rod (except the configuration of the piston rod). Refer to pages 29 to 33.

Made to Order	Auto Switch
With End Lock Double Acting, Single Rod CBQ2	Axial Piping Single Acting, Spring Return-Extend CQP2 Double Acting, Single Rod CQP2
Water Resistant Double Acting, Double Rod CQ2W-RV Double Acting, Single Rod CQ2-R/V	Non-rotating Rod Double Acting, Double Rod CQ2KW Double Acting, Single Rod CQ2K
Long Stroke Double Acting, Single Rod CQ2	Anti-lateral Load Double Acting, Single Rod CQ2□S
Large Bore Size Double Acting, Double Rod CQ2W Double Acting, Single Rod CQ2	Standard Single Acting, Spring Return-Extend CQ2 Double Acting, Double Rod CQ2W Double Acting, Single Rod CQ2

Compact Cylinder: Non-rotating Rod Double Acting, Double Rod

CQ2KW Series

ø12, ø16, ø20, ø25, ø32, ø40, ø50, ø63

How to Order

Without auto switch
ø12 to ø25

CQ2KW B 20 □ - 30 D □

Without auto switch
ø32 to ø63

CQ2KW B 32 □ - 30 D □ Z

With auto switch

CDQ2KW B 32 □ - 30 D □ Z - M9BW □

① ② ③ ④ ⑤ ⑥ ⑦ ⑧ ⑨

With auto switch magnet

The overall length of the cylinder with an auto switch magnet is longer than that of the cylinder without an auto switch magnet by the length of the built-in magnet. For details, refer to the dimensions of each size.

① Mounting

B	Through-hole	ø12 to ø63
A	Both ends tapped	ø40 to ø63
L	Foot	
LC	Compact foot	
F	Flange	

- * Mounting brackets are shipped together with the product but do not come assembled.
- * A through-hole type mounting bolt is available as an option. For details:
Without auto switch magnet ⇨ p. 101
With auto switch magnet ⇨ p. 102
- * For cylinders with mounting options "L," "LC," or "F," the cylinder rod protrusion dimensions (Dimensions L and L₁) vary from the standard cylinder. When only ordering the cylinder, order the rod end length increased by 10 mm (-XC2) cylinder.
For details ⇨ p. 178

② Bore size

12	12 mm
16	16 mm
20	20 mm
25	25 mm
32	32 mm
40	40 mm
50	50 mm
63	63 mm

③ Port thread type

Nil	M thread	ø12 to ø25
	Rc	ø32 to ø63
TN	NPT	
TF	G	
F	Built-in One-touch fittings*1	

- *1 The bore sizes available with One-touch fittings are ø32 to ø63.
- * For cylinders without an auto switch magnet, M threads are compatible only with ø32-5 mm stroke.

④ Cylinder stroke

(For details on the minimum stroke for auto switch mounting ⇨ p. 157) [mm]

Bore size	Standard stroke
12, 16	5, 10, 15, 20, 25, 30
20, 25	5, 10, 15, 20, 25, 30, 35 40, 45, 50
32, 40	5, 10, 15, 20, 25, 30, 35 40, 45, 50, 75, 100
50, 63	10, 15, 20, 25, 30, 35, 40 45, 50, 75, 100

- * For the manufacturing of intermediate strokes ⇨ p. 99

⑤ Action

D	Double acting
----------	---------------

⑥ Body option

Nil	Rod end female thread
C	With rubber bumper (ø12 with auto switch magnet only)
M	Rod end male thread

⑦ Auto switch mounting groove

Z	ø12 to ø25	2 surfaces
	ø32 to ø63	4 surfaces

⑧ Auto switch

Nil	Without auto switch
------------	---------------------

- * For applicable auto switches, refer to the next page.

⑨ Number of auto switches

Nil	2
S	1
n	n

Cylinder Model with Auto Switch Magnet

If a cylinder with an auto switch magnet and without an auto switch is required, there is no need to enter the symbol for the auto switch.

(Example) CDQ2KW B32-30DZ

Compact Cylinder: Non-rotating Rod Double Acting, Double Rod **CQ2KW Series**



Standard	Double Acting, Single Rod	CQ2
Standard	Double Acting, Double Rod	CQ2W
Single Acting, Spring Return-End	Double Acting, Single Rod	CQ2
Large Bore Size	Double Acting, Double Rod	CQ2W
Anti-lateral Load	Double Acting, Single Rod	CQ2□S
Long Stroke	Double Acting, Single Rod	CQ2
Non-rotating Rod	Double Acting, Single Rod	CQ2KW
Water Resistant	Double Acting, Single Rod	CQ2-RV
Water Resistant	Double Acting, Double Rod	CQ2W-RV
Axial Piping	Double Acting, Single Rod	CQP2
Axial Piping	Single Acting, Spring Return-End	CQP2
With End Lock	Double Acting, Single Rod	CBQ2
Auto Switch		
Made to Order		

For details on **auto switch mounting** ⇨ p. 149 to 165

- Auto Switch Proper Mounting Position (Detection at stroke end) and Mounting Height
- Minimum Stroke for Auto Switch Mounting
- Operating Range
- Auto Switch Mounting Brackets/Part Nos.

Applicable Auto Switches / Refer to the **Web Catalog** for further information on auto switches.

Type	Special function	Electrical entry	Indicator light	Wiring (Output)	Load voltage		Auto switch model		Lead wire length [m]					Pre-wired connector	Applicable load			
					DC	AC	Perpendicular	In-line	0.5 (Nil)	1 (M)	3 (L)	5 (Z)	None (N)					
Solid state auto switch	—	Grommet	Yes	3-wire (NPN)	24 V	—	M9NV	M9N	●	●	●	○	—	○	IC circuit	Relay, PLC		
				3-wire (PNP)					●	●	●	○	—	○				
				2-wire					●	●	●	○	—	○				
				3-wire (NPN)					●	●	●	○	—	○				
	Diagnostic indication (2-color indicator)			3-wire (PNP)					●	●	●	○	—	○	—		○	IC circuit
				2-wire					●	●	●	○	—	○	—		○	
				3-wire (NPN)					○	○	●	○	—	○	IC circuit			
				3-wire (PNP)					○	○	●	○	—	○				
Water resistant (2-color indicator)	2-wire	—	—	—	—	—	—	—	—	—	—	—	—					
	3-wire (NPN)	○	○	●	○	—	○	IC circuit										
	3-wire (PNP)	○	○	●	○	—	○											
	2-wire	○	○	●	○	—	○											
Magnetic field resistant (2-color indicator)	2-wire (Non-polar)	—	—	—	—	—	—	—	—	—	—	—	—					
	—	●	—	●	—	○	—	○										
Reed auto switch	—	Grommet	Yes	3-wire (NPN equivalent)	24 V	—	A96V	A96	●	●	●	●	—	○	IC circuit	—		
				2-wire					A93V	A93	●	●	●	●			—	○*2
				—					A90V	A90	●	●	●	●			—	○*2

*1 Water-resistant type auto switches can be mounted on the models on page 97, but SMC cannot guarantee water resistance.

Please contact SMC regarding water-resistant types with the model numbers on page 97.

*2 The load voltage used is 24 VDC.

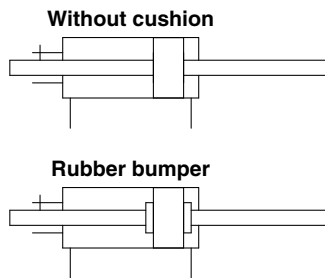
* Lead wire length symbols: 0.5 m Nil (Example) M9NV
 1 m M (Example) M9NWM
 3 m L (Example) M9NWL
 5 m Z (Example) M9NWZ

* Auto switches marked with a "○" are produced upon receipt of order.
 * The D-P3DWA□ type is only available in sizes ø25 to ø63.

* There are applicable auto switches other than those listed above. For details ⇨ p. 165

CQ2KW Series

Symbol



Made to Order Common Specifications
(For details ⇨ p. 167 to 196)

Symbol	Specifications
-XA□	Change of rod end shape
-XB6	Heat-resistant cylinder (-10 to 150°C)
-XB10	Intermediate stroke (Exclusive body type)
-XC2(A)	Rod end length increased by 10 mm (For foot and flange bracket)
-XC36	With boss on rod end*1
-XC85	Grease for food processing equipment
-X633	Intermediate stroke for double rod cylinder

*1 The standard model can be used for the type with boss on the rod end (-XC36).

* -X633: Intermediate stroke in 5 mm increments only

* Stainless steel accessories are also available.
For details ⇨ p. 34

Moisture Control Tube IDK Series



When operating an actuator with a small bore size and a short stroke at a high frequency, dew condensation (water droplets) may occur inside the piping depending on the conditions.

Simply connecting the moisture control tube to the actuator will prevent dew condensation from occurring. For details, refer to the **Web Catalog**.

⚠ Precautions

Refer to pages 197 and 198 before handling the products.

Specifications

Bore size [mm]	12	16	20	25	32	40	50	63
Action	Double acting, Double rod							
Fluid	Air							
Proof pressure	1.5 MPa							
Maximum operating pressure	1.0 MPa							
Minimum operating pressure	0.07 MPa	0.05 MPa						
Ambient and fluid temperatures	Without auto switch magnet: -10 to 70°C (No freezing) With auto switch magnet: -10 to 60°C							
Lubrication	Not required (Non-lube)							
Piston speed	50 to 500 mm/s							
Cushion	Without cushion or With rubber bumper (ø12 only) *1							
Allowable kinetic energy [J]	0.022 0.043*1	0.038	0.055	0.09	0.15	0.26	0.46	0.77
Stroke length tolerance	+1.0 mm*2 0							
Rod non-rotating accuracy	±2°	±1°			±0.8°			

*1 For cylinders with rubber bumper (ø12 with auto switch magnet only)

*2 Stroke length tolerance does not include the amount of bumper change.

* ø12 with auto switch magnet: With rubber bumper (Standard)

Manufacturing of Intermediate Strokes

Type	A spacer is installed in the standard stroke body.		A spacer is installed in the standard stroke body. (1 mm increments)		Exclusive body (-XB10)	
Part no.	Refer to "How to Order" for the standard model number. (⇨ p. 97)		Suffix "-X633" (p. 194) to the end of standard model number. (⇨ p. 97)		Suffix "-XB10" to the end of standard model number. (⇨ p. 97)	
Description	Strokes in 5 mm increments are available by installing a spacer in the standard stroke cylinder.		Strokes in 1 mm increments are available by installing a spacer in the standard stroke cylinder.		Strokes in 1 mm increments are available by using an exclusive body with the specified stroke.	
Stroke range	Bore size	Stroke range	Bore size	Stroke range	Bore size	Stroke range
	—	—	12, 16	6 to 29	—	—
	32 to 63	55 to 95	20, 25	6 to 49	40	6 to 99
			32, 40	6 to 99	50, 63	6 to 99
			50, 63	11 to 99	50, 63	11 to 99
Example	Part no.: CQ2KWB50-65DZ CQ2KWB50-75DZ with 10 mm width spacer inside The B dimension is 125.5 mm.		Part no.: CQ2KWB50-72DZ-X633 CQ2KW50-75DZ with 3 mm width spacer inside The B dimension is 125.5 mm.		Part no.: CQ2KWB50-65DZ-XB10 Makes 65 mm stroke tube. The B dimension is 115.5 mm.	

Mounting Bracket Part Nos.

Bore size [mm]	Foot*1	Compact foot*1	Flange
40	CQ-L040	CQ-LC040	CQ-F040
50	CQ-L050	CQ-LC050	CQ-F050
63	CQ-L063	CQ-LC063	CQ-F063

*1 When ordering foot and compact foot brackets, order 2 pieces per cylinder.

* Parts included with each type of bracket are as follows.

Foot, Compact foot, Flange: Body mounting bolts

* For details on accessory brackets (Options) ⇨ p. 29 to 36

* Foot, compact foot, flange brackets, etc., cannot be retrofitted for through-hole mounting (B).

Dimensions of Each Mounting Bracket

The dimensions of each mounting bracket are the same as those of the standard type, double acting, double rod (except the configuration of the piston rod). Refer to pages 48 to 50.

Weight

Without Auto Switch Magnet

[g]

Bore size [mm]	Cylinder stroke [mm]											
	5	10	15	20	25	30	35	40	45	50	75	100
12	62	69	76	83	90	97	—	—	—	—	—	—
16	62	73	84	95	106	117	—	—	—	—	—	—
20	101	116	131	146	161	176	191	206	221	236	—	—
25	138	155	172	189	206	223	240	257	274	291	—	—
32	233	256	279	302	325	348	371	394	417	440	600	715
40	336	365	394	424	453	483	512	541	571	600	806	953
50	—	517	558	600	642	684	725	767	809	850	1142	1351
63	—	742	779	815	851	887	923	959	995	1032	1285	1465

With Auto Switch Magnet

[g]

Bore size [mm]	Cylinder stroke [mm]											
	5	10	15	20	25	30	35	40	45	50	75	100
12	76	83	90	98	105	113	—	—	—	—	—	—
16	89	99	109	118	128	138	—	—	—	—	—	—
20	148	164	179	194	210	225	240	256	271	286	—	—
25	213	228	244	259	275	291	306	322	337	353	—	—
32	259	282	305	328	351	374	397	420	443	466	580	695
40	441	471	500	530	559	588	618	647	677	706	853	1000
50	—	642	684	726	767	809	851	892	934	976	1184	1393
63	—	871	907	943	979	1015	1051	1088	1124	1160	1341	1521

Theoretical Output

[N]

Bore size [mm]	Operating pressure [MPa]		
	0.3	0.5	0.7
12	25	42	59
16	45	75	106
20	71	118	165
25	113	189	264
32	181	302	422
40	317	528	739
50	495	825	1150
63	841	1400	1960

Additional Weight

[g]

Bore size [mm]	12	16	20	25	32	40	50	63
Both ends tapped	—	—	—	—	—	6	6	19
Rod end male thread	Male thread	3	6	12	24	52	54	106
	Nut	2	4	8	16	34	34	64
Built-in One-touch fittings	—	—	—	—	12	12	21	21
Foot (Including mounting bolts)	—	—	—	—	—	154	243	321
Compact foot (Including mounting bolts)	—	—	—	—	—	124	197	259
Flange (Including mounting bolts)	—	—	—	—	—	214	373	559

Calculation: (Example) **CDQ2KWA40-20DMZ**

- Basic weight: CDQ2KWB40-20DZ 530 g
- Additional weight: Both ends tapped 6 g
- Rod end male thread 88 g

624 g

Add each weight of auto switches when auto switches are mounted.

Standard	Double Acting, Single Rod	CQ2
Standard	Double Acting, Double Rod	CQ2W
Standard	Single Acting, Spring Return, End	CQ2
Standard	Single Acting, Spring Return, End	CQ2
Large Bore Size	Double Acting, Double Rod	CQ2W
Large Bore Size	Double Acting, Double Rod	CQ2W
Anti-lateral Load	Double Acting, Single Rod	CQ2 □ S
Anti-lateral Load	Double Acting, Single Rod	CQ2 □ S
Long Stroke	Double Acting, Single Rod	CQ2
Long Stroke	Double Acting, Single Rod	CQ2
Non-rotating Rod	Double Acting, Single Rod	CQ2K
Non-rotating Rod	Double Acting, Double Rod	CQ2KW
Water Resistant	Double Acting, Single Rod	CQ2-R/V
Water Resistant	Double Acting, Double Rod	CQ2W-R/V
Axial Piping	Double Acting, Single Rod	CQP2
Axial Piping	Double Acting, Single Rod	CQP2
With End Lock	Double Acting, Single Rod	CBQ2
With End Lock	Double Acting, Single Rod	CBQ2
Auto Switch		Auto Switch
Made to Order		Made to Order

CQ2KW Series

Through-hole Type Mounting Bolt for the CQ2KW: Without Auto Switch Magnet

Mounting bolt for the through-hole mounting of the CQ2KWB is available as an option.

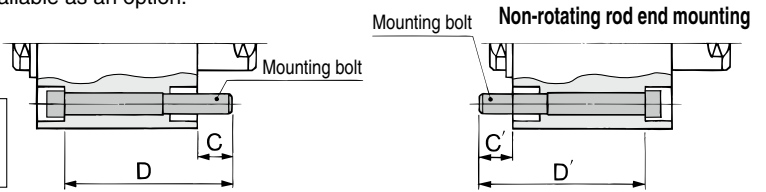
Refer to the following for ordering procedures.

Order the actual number of bolts that will be used.

For models with an auto switch magnet ⇨ p. 102

Example) CQ-M3 x 40L 2 pcs.

Type: Hexagon socket head cap screw
Material: Chromium molybdenum steel
Surface treatment: Zinc chromated



Cylinder model	C	D	Mounting bolt part no.	C'	D'	Mounting bolt part no.
CQ2KWB12-5D	8.3	40	CQ-M3 x 40L	8.3	40	CQ-M3 x 40L
-10D		45	x 45L		45	x 45L
-15D		50	x 50L		50	x 50L
-20D		55	x 55L		55	x 55L
-25D		60	x 60L		60	x 60L
-30D		65	x 65L		65	x 65L
CQ2KWB16-5D	7.5	40	CQ-M3 x 40L	7.5	40	CQ-M3 x 40L
-10D		45	x 45L		45	x 45L
-15D		50	x 50L		50	x 50L
-20D		55	x 55L		55	x 55L
-25D		60	x 60L		60	x 60L
-30D		65	x 65L		65	x 65L
CQ2KWB20-5D	6.5	40	CQ-M5 x 40L	8	40	CQ-M5 x 40L
-10D		45	x 45L		45	x 45L
-15D		50	x 50L		50	x 50L
-20D		55	x 55L		55	x 55L
-25D		60	x 60L		60	x 60L
-30D		65	x 65L		65	x 65L
-35D		70	x 70L		70	x 70L
-40D		75	x 75L		75	x 75L
-45D		80	x 80L		80	x 80L
-50D		85	x 85L		85	x 85L
CQ2KWB25-5D	8.5	45	CQ-M5 x 45L	10	45	CQ-M5 x 45L
-10D		50	x 50L		50	x 50L
-15D		55	x 55L		55	x 55L
-20D		60	x 60L		60	x 60L
-25D		65	x 65L		65	x 65L
-30D		70	x 70L		70	x 70L
-35D		75	x 75L		75	x 75L
-40D		80	x 80L		80	x 80L
-45D		85	x 85L		85	x 85L
-50D		90	x 90L		90	x 90L
CQ2KWB32-5DZ	11	50	CQ-M5 x 50L	7.5	45	CQ-M5 x 45L
-10DZ		55	x 55L		50	x 50L
-15DZ		60	x 60L		55	x 55L
-20DZ		65	x 65L		60	x 60L
-25DZ		70	x 70L		65	x 65L
-30DZ		75	x 75L		70	x 70L
-35DZ		80	x 80L		75	x 75L
-40DZ		85	x 85L		80	x 80L
-45DZ		90	x 90L		85	x 85L
-50DZ		95	x 95L		90	x 90L
-75DZ		130	x 130L		125	x 125L
-100DZ		155	x 155L		150	x 150L

Cylinder model	C, C'	D, D'	Mounting bolt part no.	
CQ2KWB40-5DZ	7	45	CQ-M5 x 45L	
-10DZ		50	x 50L	
-15DZ		55	x 55L	
-20DZ		60	x 60L	
-25DZ		65	x 65L	
-30DZ		70	x 70L	
-35DZ		75	x 75L	
-40DZ		80	x 80L	
-45DZ		85	x 85L	
-50DZ		90	x 90L	
-75DZ	12.5	125	x 125L	
-100DZ		150	x 150L	
CQ2KWB50-10DZ		12.5	55	CQ-M6 x 55L
-15DZ			60	x 60L
-20DZ			65	x 65L
-25DZ			70	x 70L
-30DZ			75	x 75L
-35DZ			80	x 80L
-40DZ			85	x 85L
-45DZ			90	x 90L
-50DZ	95		x 95L	
-75DZ	130		x 130L	
-100DZ	155	x 155L		
CQ2KWB63-10DZ	13.5	55	CQ-M8 x 55L	
-15DZ		60	x 60L	
-20DZ		65	x 65L	
-25DZ		70	x 70L	
-30DZ		75	x 75L	
-35DZ		80	x 80L	
-40DZ		85	x 85L	
-45DZ		90	x 90L	
-50DZ		95	x 95L	
-75DZ		130	x 130L	
-100DZ	155	x 155L		

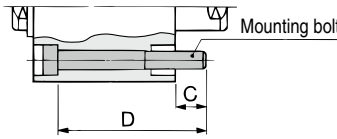
* ø40 to ø63: The C' and D' dimensions are the same as those of C and D.

Through-hole Type Mounting Bolt for the CDQ2KW: With Auto Switch Magnet

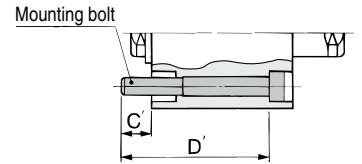
Mounting bolt for the through-hole mounting of the CDQ2KWB is available as an option.
Refer to the following for ordering procedures.
Order the actual number of bolts that will be used.
For models without an auto switch magnet ⇨ p. 101

Example) CQ-M3 x 40L 2 pcs.

Type: Hexagon socket head cap screw
Material: Chromium molybdenum steel
Surface treatment: Zinc chromated



Non-rotating rod end mounting



Cylinder model	C	D	Mounting bolt part no.	C'	D'	Mounting bolt part no.
CDQ2KWB12-5DCZ	6.1	40	CQ-M3 x 40L	6.1	45	CQ-M3 x 45L
-10DCZ		45	x 45L		50	x 50L
-15DCZ		50	x 50L		55	x 55L
-20DCZ		55	x 55L		60	x 60L
-25DCZ		60	x 60L		65	x 65L
-30DCZ		65	x 65L		70	x 70L
CDQ2KWB16-5DZ	7.5	45	CQ-M3 x 45L	7.5	50	CQ-M3 x 50L
-10DZ		50	x 50L		55	x 55L
-15DZ		55	x 55L		60	x 60L
-20DZ		60	x 60L		65	x 65L
-25DZ		65	x 65L		70	x 70L
-30DZ		70	x 70L		75	x 75L
CDQ2KWB16-5DZ	9	45	CQ-M5 x 45L	11	55	CQ-M5 x 55L
-10DZ		50	x 50L		60	x 60L
-15DZ		55	x 55L		65	x 65L
-20DZ		60	x 60L		70	x 70L
-25DZ		65	x 65L		75	x 75L
-30DZ		70	x 70L		80	x 80L
-35DZ		75	x 75L		85	x 85L
-40DZ		80	x 80L		90	x 90L
-45DZ		85	x 85L		95	x 95L
-50DZ		90	x 90L		100	x 100L
CDQ2KWB25-5DZ		8	45		CQ-M5 x 45L	10
-10DZ	50		x 50L	60	x 60L	
-15DZ	55		x 55L	65	x 65L	
-20DZ	60		x 60L	70	x 70L	
-25DZ	65		x 65L	75	x 75L	
-30DZ	70		x 70L	80	x 80L	
-35DZ	75		x 75L	85	x 85L	
-40DZ	80		x 80L	90	x 90L	
-45DZ	85		x 85L	95	x 95L	
-50DZ	90		x 90L	100	x 100L	
CDQ2KWB25-5DZ	11		60	CQ-M5 x 60L	7.5	
-10DZ		65	x 65L	60		x 60L
-15DZ		70	x 70L	65		x 65L
-20DZ		75	x 75L	70		x 70L
-25DZ		80	x 80L	75		x 75L
-30DZ		85	x 85L	80		x 80L
-35DZ		90	x 90L	85		x 85L
-40DZ		95	x 95L	90		x 90L
-45DZ		100	x 100L	95		x 95L
-50DZ		105	x 105L	100		x 100L
-75DZ		130	x 130L	125		x 125L
-100DZ	155	x 155L	150	x 150L		

Cylinder model	C, C'	D, D'	Mounting bolt part no.
CDQ2KWB40-5DZ	7	55	CQ-M5 x 55L
-10DZ		60	x 60L
-15DZ		65	x 65L
-20DZ		70	x 70L
-25DZ		75	x 75L
-30DZ		80	x 80L
-35DZ		85	x 85L
-40DZ		90	x 90L
-45DZ		95	x 95L
-50DZ		100	x 100L
-75DZ		125	x 125L
-100DZ	150	x 150L	
CDQ2KWB50-10DZ	12.5	65	CQ-M6 x 65L
-15DZ		70	x 70L
-20DZ		75	x 75L
-25DZ		80	x 80L
-30DZ		85	x 85L
-35DZ		90	x 90L
-40DZ		95	x 95L
-45DZ		100	x 100L
-50DZ		105	x 105L
-75DZ		130	x 130L
-100DZ		155	x 155L
CDQ2KWB63-10DZ	13.5	65	CQ-M8 x 65L
-15DZ		70	x 70L
-20DZ		75	x 75L
-25DZ		80	x 80L
-30DZ		85	x 85L
-35DZ		90	x 90L
-40DZ		95	x 95L
-45DZ		100	x 100L
-50DZ		105	x 105L
-75DZ		130	x 130L
-100DZ		155	x 155L

* ø40 to ø63: The C' and D' dimensions are the same as those of C and D.

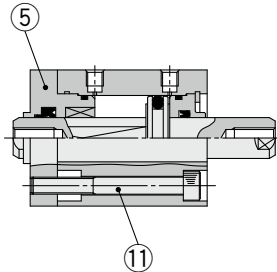
Standard	Double Acting, Single Rod	CQ2
Standard	Double Acting, Double Rod	CQ2W
Standard	Single Acting, Spring Return, End	CQ2
Large Bore Size	Double Acting, Single Rod	CQ2
Large Bore Size	Double Acting, Double Rod	CQ2W
Anti-lateral Load	Double Acting, Single Rod	CQ2 <input type="checkbox"/> S
Long Stroke	Double Acting, Single Rod	CQ2
Long Stroke	Double Acting, Double Rod	CQ2W
Non-rotating Rod	Double Acting, Single Rod	CQ2K
Non-rotating Rod	Double Acting, Double Rod	CQ2KW
Water Resistant	Double Acting, Single Rod	CQ2-RV
Water Resistant	Double Acting, Double Rod	CQ2W-RV
Axial Piping	Double Acting, Single Rod	CQP2
Axial Piping	Single Acting, Spring Return, End	CQP2
With End Lock	Double Acting, Single Rod	CBQ2
Auto Switch		Auto Switch
Made to Order		Made to Order

CQ2KW Series

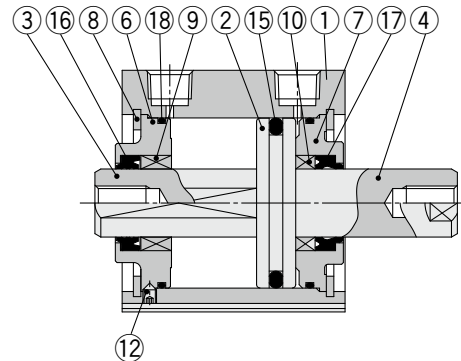
Construction

Without auto switch magnet

ø12 to ø32

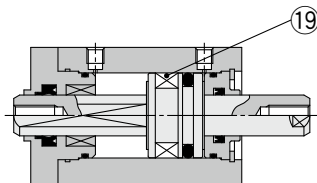


ø40 to ø63

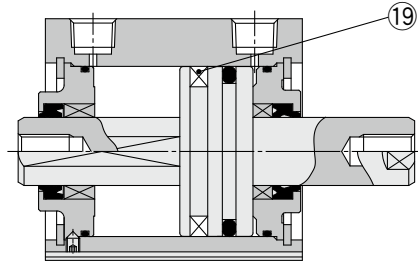


With auto switch magnet

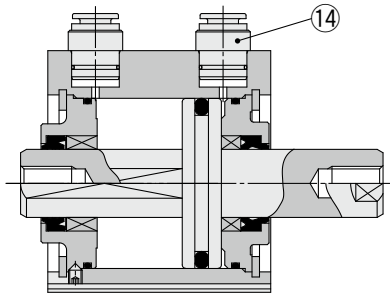
ø12 to ø32



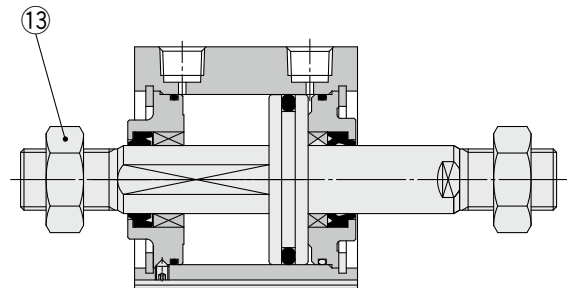
ø40 to ø63



Built-in One-touch fittings



Rod end male thread



Component Parts

No.	Description	Material	Note
1	Cylinder tube	Aluminum alloy	Hard anodized
2	Piston	Aluminum alloy	
3	Piston rod A	Stainless steel	ø12 to ø25
		Carbon steel	ø32 to ø63, Hard chrome plating
4	Piston rod B	Stainless steel	ø12 to ø25
		Carbon steel	ø32 to ø63, Hard chrome plating
5	Rod cover	Brass	ø12, Electroless nickel plating
		Aluminum alloy	ø16 to ø32, Anodized
6	Collar for non-rotating	Aluminum alloy	ø40 to ø63, Anodized
7	Collar	Aluminum alloy	ø12 to ø40, Anodized
		Aluminum alloy casted	ø50 to ø63, Chromated, Painted
8	Retaining ring	Carbon tool steel	Phosphate coated
9	Bushing for non-rotating	Oil-impregnated sintered alloy	ø16 to ø63
10	Bushing	Bearing alloy	ø50, ø63
11	Hexagon socket head cap screw	Alloy steel	ø12 to ø32, Zinc chromated
12	Hexagon socket head set screw	Alloy steel	ø40 to ø63, Zinc chromated
13	Rod end nut	Carbon steel	Zinc chromated
14	One-touch fitting	—	ø32 to ø63
15	Piston seal	NBR	
16	Rod seal for non-rotating	NBR	
17	Rod seal	NBR	
18	Gasket	NBR	
19	Magnet	—	

Replacement Parts/Seal Kit

Bore size [mm]	Kit no.	Contents
12	CQ2KWB12-PS	Set of nos. 15, 16, 17, 18
16	CQ2KWB16-PS	
20	CQ2KWB20-PS	
25	CQ2KWB25-PS	
32	CQ2KWB32-PS	
40	CQ2KWB40-PS	
50	CQ2KWB50-PS	
63	CQ2KWB63-PS	

* Seal kit includes 15, 16, 17, 18. Order the seal kit based on each bore size.

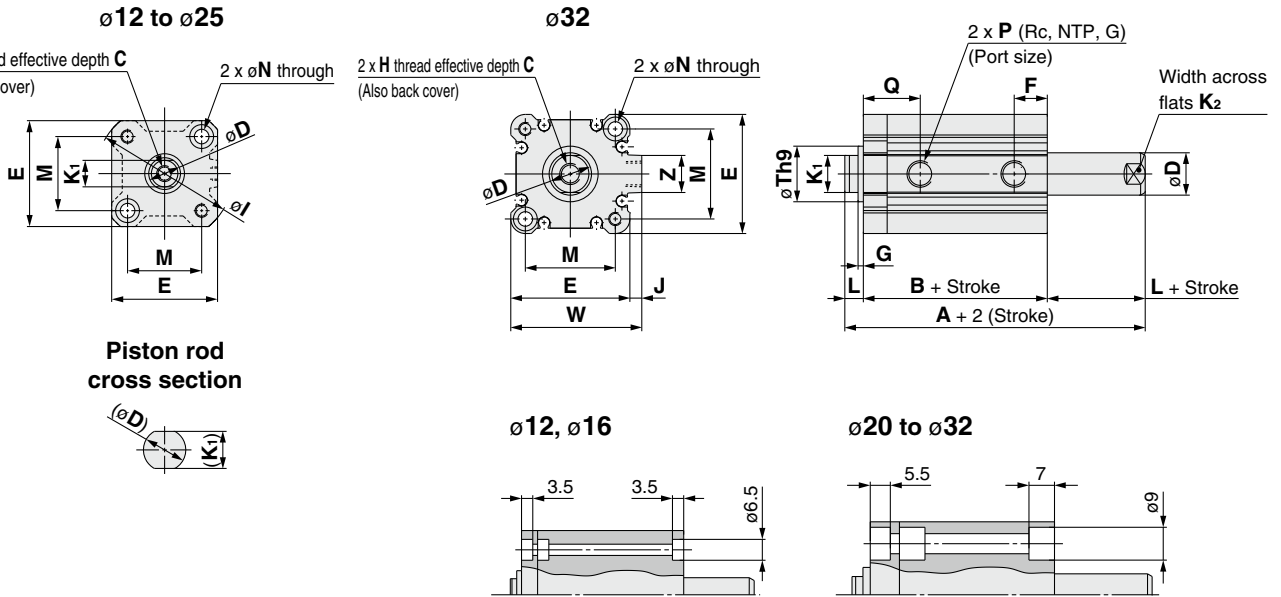
* The seal kit does not include a grease pack. Order it separately.

Grease pack part no.: GR-S-010 (10 g)

Bore Size

∅12 to ∅32 Without Auto Switch Magnet

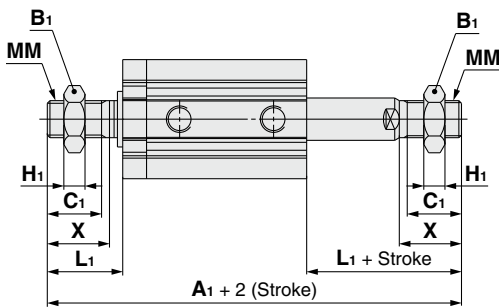
Through-hole: CQ2KWB



Bore size [mm]	Stroke range [mm]	A	B	C	D	E	F	G	H	I	J	K ₁	K ₂	L	M	N	P	Q	Th9	W	Z
12	5 to 30	37.2	30.2	6	6	25	10	1.5	M3 x 0.5	32	—	5.2	5	3.5	15.5	3.5	M5 x 0.8	15	15 ⁰ _{-0.043}	—	—
16	5 to 30	38	31	8	8	29	10	1.5	M4 x 0.7	38	—	6	6	3.5	20	3.5	M5 x 0.8	15	20 ⁰ _{-0.052}	—	—
20	5 to 50	43	34	7	10	36	8	2	M5 x 0.8	47	—	8	8	4.5	25.5	5.5	M5 x 0.8	16	13 ⁰ _{-0.043}	—	—
25	5 to 50	47	37	12	12	40	9	2	M6 x 1.0	52	—	10	10	5	28	5.5	M5 x 0.8	17	15 ⁰ _{-0.043}	—	—
32	5	53.5	39.5	13	16	45	10	2	M8 x 1.25	—	4.5	14	14	7	34	5.5	M5 x 0.8	19	21 ⁰ _{-0.052}	49.5	14
	10 to 50																				
	75,100	63.5	49.5														M5 x 0.8				

* For details on the rod end nut and accessory brackets ⇨ p. 34 to 36
* The positions of piston rod's width across flats (K₂) are not constant.

Rod end male thread



Bore size [mm]	Stroke range [mm]	A ₁	B ₁	C ₁	H ₁	L ₁	MM	X
12	5 to 30	58.2	8	9	4	14	M5 x 0.8	10.5
16	5 to 30	62	10	10	5	15.5	M6 x 1.0	12
20	5 to 50	71	13	12	5	18.5	M8 x 1.25	14
25	5 to 50	82	17	15	6	22.5	M10 x 1.25	17.5
32	5 to 50	96.5	22	20.5	8	28.5	M14 x 1.5	23.5
	75,100	106.5						

The dimensions with built-in One-touch fittings are equivalent to those of the standard type, double acting, double rod. ⇨ p. 46

* The dimensions of ∅32-5 mm stroke with built-in One-touch fittings are the same as those of the 10 mm stroke cylinder tube.

Standard Double Acting, Single Rod CQ2

Standard Double Acting, Double Rod CQ2W

Single Acting, Spring Return, Single Rod CQ2

Single Acting, Spring Return, Double Rod CQ2

Large Bore Size Double Acting, Single Rod CQ2

Large Bore Size Double Acting, Double Rod CQ2W

Anti-lateral Load Double Acting, Single Rod CQ2S

Anti-lateral Load Double Acting, Double Rod CQ2S

Long Stroke Double Acting, Single Rod CQ2

Long Stroke Double Acting, Double Rod CQ2

Non-rotating Rod Double Acting, Single Rod CQ2K

Non-rotating Rod Double Acting, Double Rod CQ2KW

Water Resistant Double Acting, Single Rod CQ2-RV

Water Resistant Double Acting, Double Rod CQ2W-RV

Axial Piping Double Acting, Single Rod CQP2

Axial Piping Single Acting, Spring Return, Single Rod CQP2

With End Lock Double Acting, Single Rod CBQ2

Auto Switch

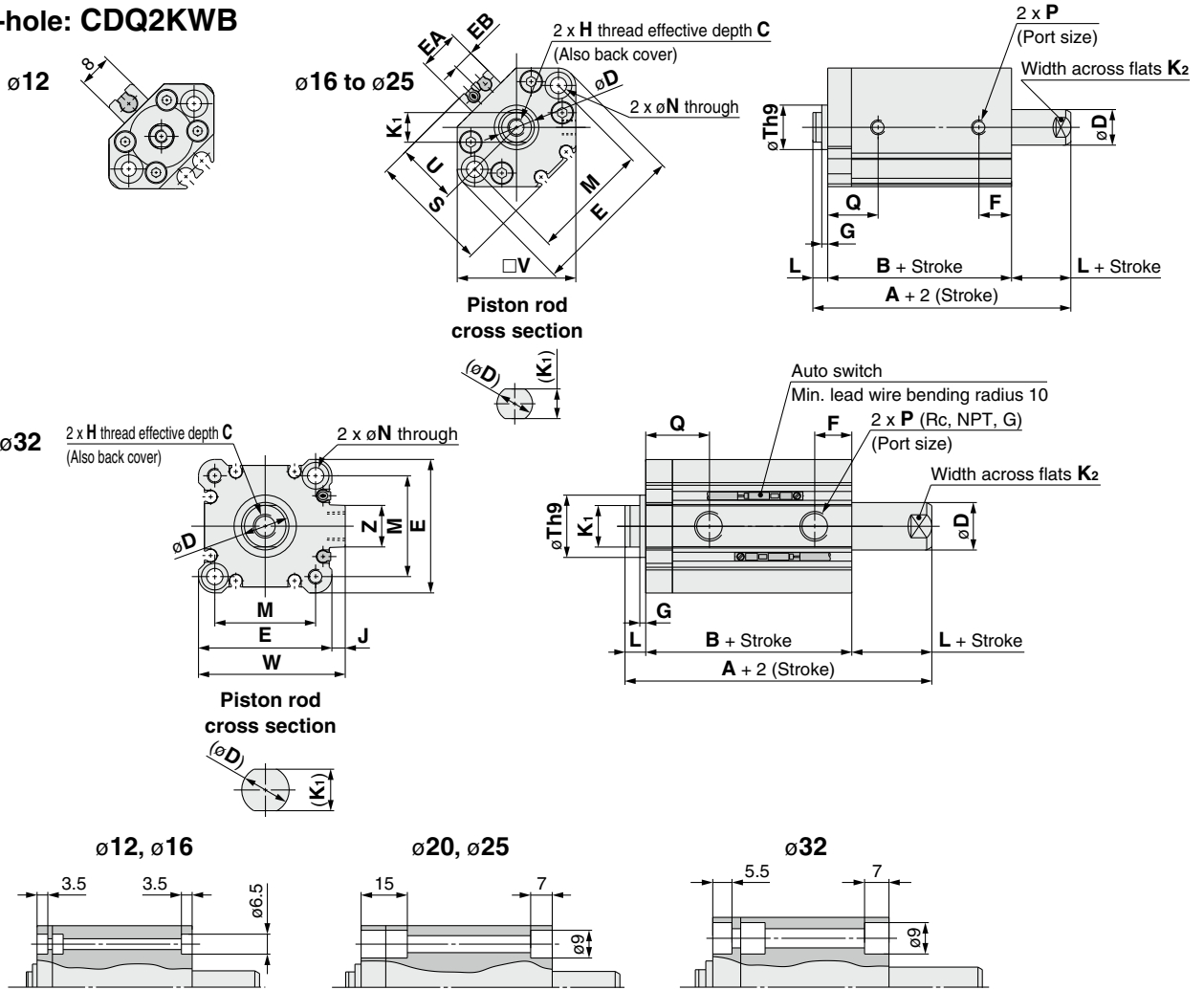
Made to Order

CQ2KW Series

Bore Size

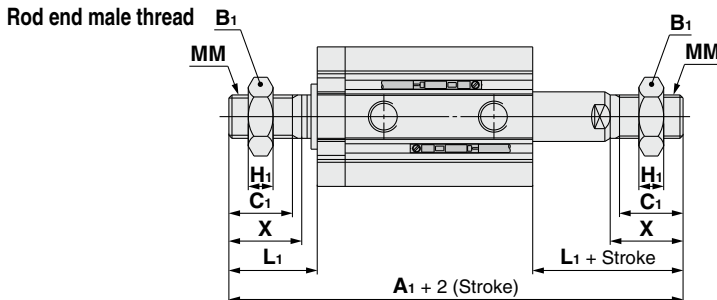
Ø12 to Ø32 With Auto Switch Magnet

Through-hole: CDQ2KWB



Bore size [mm]	Stroke range [mm]	A	B	C	D	E	EA	EB	F	G	H	J	K ₁	K ₂	L	M	N	P	Q	S	Th9	U	V	W	Z
12	5 to 30	44.4	37.4	6	6	33	—	—	10.5	1.5	M3 x 0.5	—	5.2	5	3.5	22	3.5	M5 x 0.8	15.5	27.5	15 ⁰ _{-0.043}	14	25	—	—
16	5 to 30	48	41	8	8	37	13.2	6.6	10	1.5	M4 x 0.7	—	6	6	3.5	28	3.5	M5 x 0.8	15	29.5	20 ⁰ _{-0.052}	15	29	—	—
20	5 to 50	55	46	7	10	47	13.6	6.8	8	2	M5 x 0.8	—	8	8	4.5	36	5.5	M5 x 0.8	16	35.5	13 ⁰ _{-0.043}	18	36	—	—
25	5 to 50	57	47	12	12	52	13.6	6.8	9	2	M6 x 1.0	—	10	10	5	40	5.5	M5 x 0.8	17	40.5	15 ⁰ _{-0.043}	21	40	—	—
32	5 to 50, 75, 100	63.5	49.5	13	16	45	—	—	10	2	M8 x 1.25	4.5	14	14	7	34	5.5	1/8	19	—	21 ⁰ _{-0.052}	—	—	49.5	14

- * For details on the rod end nut and accessory brackets ⇨ p. 34 to 36
- * The positions of piston rod's width across flats (K₂) are not constant.
- * For the auto switch proper mounting position and mounting height ⇨ p. 149 to 156



Bore size [mm]	A ₁	B ₁	C ₁	H ₁	L ₁	MM	X
12	65.4	8	9	4	14	M5 x 0.8	10.5
16	72	10	10	5	15.5	M6 x 1.0	12
20	83	13	12	5	18.5	M8 x 1.25	14
25	92	17	15	6	22.5	M10 x 1.25	17.5
32	106.5	22	20.5	8	28.5	M14 x 1.5	23.5

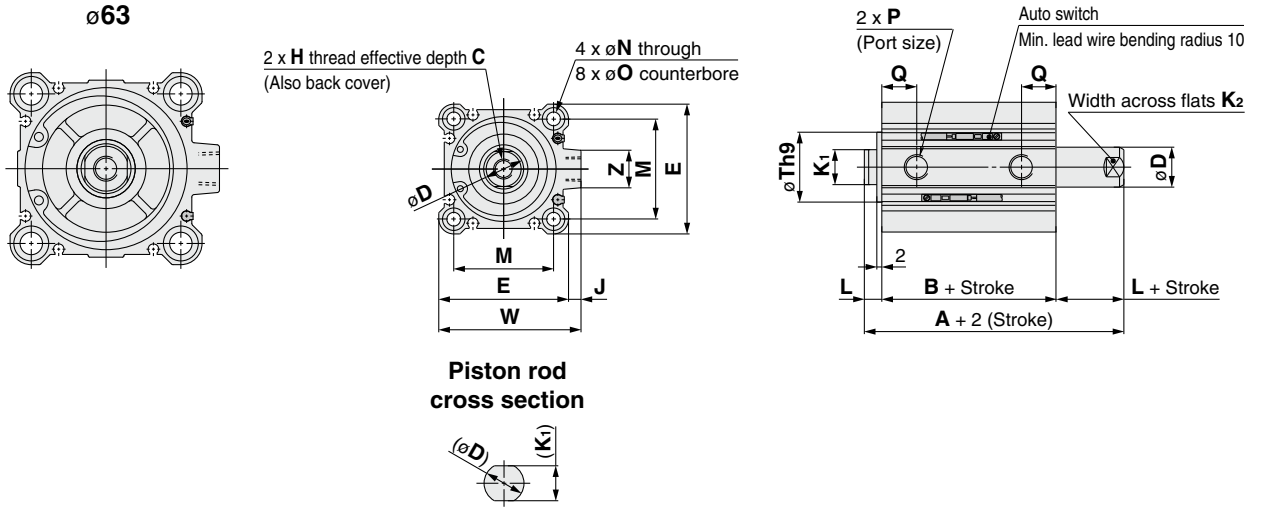
The dimensions with built-in One-touch fittings are equivalent to those of the standard type, double acting, double rod. ⇨ p. 46

- * The dimensions of Ø32-5 mm stroke with built-in One-touch fittings are the same as those of the 10 mm stroke cylinder tube.

Bore Size

ø40 to ø63 With/Without Auto Switch Magnet

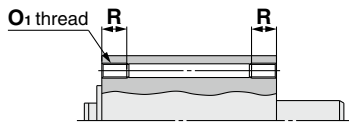
Through-hole: **C□Q2KWB**



Bore size [mm]	Stroke range [mm]	Without auto switch magnet		With auto switch magnet		C	D	E	H	J	K ₁	K ₂	L	M	N	O	P	Q	Th9	W	Z
		A	B	A	B																
40	5 to 50	54	40	64	50	13	16	52	M8 x 1.25	5	14	14	7	40	5.5	9 depth 7	1/8	12.5	28 ⁰ _{-0.052}	57	15
	75,100	64	50																		
50	10 to 50	56.5	40.5	66.5	50.5	15	20	64	M10 x 1.5	7	18	17	8	50	6.6	11 depth 8	1/4	14	35 ⁰ _{-0.062}	71	19
	75,100	66.5	50.5																		
63	10 to 50	58	42	68	52	15	20	77	M10 x 1.5	7	18	17	8	60	9	14 depth 10.5	1/4	15.5	35 ⁰ _{-0.062}	84	19
	75,100	68	52																		

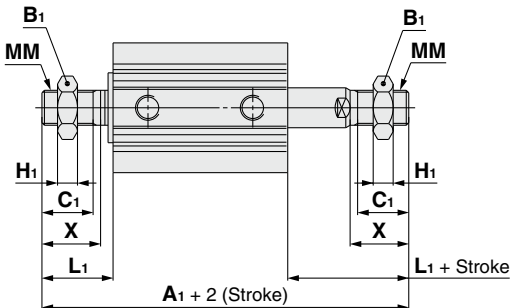
* For details on the rod end nut and accessory brackets ⇨ p. 34 to 36
 * The positions of piston rod's width across flats (K₂) are not constant.
 * For the auto switch proper mounting position and mounting height ⇨ p. 149 to 156

Both ends tapped



Bore size [mm]	O ₁	R
40	M6 x 1.0	10
50	M8 x 1.25	14
63	M10 x 1.5	18

Rod end male thread



Bore size [mm]	Stroke range [mm]	Without auto switch magnet		B ₁	C ₁	H ₁	L ₁	MM	X
		A ₁	A ₁						
40	5 to 50	97	107	22	20.5	8	28.5	M14 x 1.5	23.5
	75, 100	107							
50	10 to 50	107.5	117.5	27	26	11	33.5	M18 x 1.5	28.5
	75, 100	117.5							
63	10 to 50	109	119	27	26	11	33.5	M18 x 1.5	28.5
	75, 100	119							

The dimensions with built-in One-touch fittings are equivalent to those of the standard type, double acting, double rod. ⇨ p. 46, 47

Dimensions of Each Mounting Bracket

The dimensions of each mounting bracket are the same as those of the standard type, double acting, double rod (except the configuration of the piston rod). Refer to pages 48 to 50.

Standard Double Acting, Single Rod **CQ2**
 Standard Double Acting, Double Rod **CQ2W**
 Single Acting, Spring Return, End **CQ2**
 Large Bore Size Double Acting, Double Rod **CQ2W**
 Large Bore Size Double Acting, Single Rod **CQ2**
 Anti-lateral Load Double Acting, Single Rod **CQ2□S**
 Long Stroke Double Acting, Single Rod **CQ2**
 Long Stroke Double Acting, Double Rod **CQ2W**
 Non-rotating Rod Double Acting, Single Rod **CQ2KW**
 Non-rotating Rod Double Acting, Double Rod **CQ2KW**
 Water Resistant Double Acting, Single Rod **CQ2-R/V**
 Water Resistant Double Acting, Double Rod **CQ2W-R/V**
 Axial Piping Double Acting, Single Rod **CQP2**
 Axial Piping Single Acting, Spring Return, End **CQP2**
 With End Lock Double Acting, Single Rod **CBQ2**
 Auto Switch **Auto Switch**
 Made to Order **Made to Order**

Compact Cylinder: Water Resistant Double Acting, Single Rod

CQ2-R/V Series

ø20, ø25, ø32, ø40, ø50, ø63, ø80, ø100

How to Order

Without auto switch
ø20, ø25

CQ2 B 20 [] R - 30 D [] — []

Without auto switch
ø32 to ø100

CQ2 B 32 [] R - 30 D [] Z - []

With auto switch

CDQ2 B 32 [] R - 30 D [] Z - M9BA [] - []

With auto switch magnet

The overall length of the cylinder with an auto switch magnet is longer than that of the cylinder without an auto switch magnet by the length of the built-in magnet. For details, refer to the dimensions of each size.

1 Mounting

B	Through-hole	(ø20 to ø100)
A	Both ends tapped	(ø40 to ø100)
L	Foot	
LC	Compact foot	
F	Rod flange	
G	Head flange	
D	Double clevis	

* Mounting brackets are shipped together with the product but do not come assembled.

* A through-hole type mounting bolt is available as an option. For details ⇨ p. 110

2 Bore size

20	20 mm
25	25 mm
32	32 mm
40	40 mm
50	50 mm
63	63 mm
80	80 mm
100	100 mm

3 Port thread type

Nil	M thread
	Rc
TN	NPT
TF	G

4 Water-resistant cylinder

R	NBR seal (Nitrile rubber)
V	FKM seal (Fluororubber)

5 Cylinder stroke (For details on the minimum stroke for auto switch mounting ⇨ p. 157) [mm]

Bore size	Standard stroke
20, 25	5, 10, 15, 20, 25, 30, 35, 40, 45, 50
32, 40	5, 10, 15, 20, 25, 30, 35, 40, 45, 50, 75, 100
50, 63, 80, 100	10, 15, 20, 25, 30, 35, 40, 45, 50, 75, 100

* For the manufacturing of intermediate strokes ⇨ p. 108

6 Action

D	Double acting
----------	---------------

7 Body option

Nil	Rod end female thread
M	Rod end male thread

8 Auto switch mounting groove

Z	ø20 to ø25	2 surfaces
	ø32 to ø100	4 surfaces

9 Auto switch

Nil	Without auto switch
------------	---------------------

* For applicable auto switches, refer to the table below.

10 Number of auto switches

Nil	2
S	1
n	n

11 Made to order common specifications

For details ⇨ p. 108

For details on **auto switch mounting** ⇨ p. 149 to 165

- Auto Switch Proper Mounting Position (Detection at stroke end) and Mounting Height
- Minimum Stroke for Auto Switch Mounting
- Operating Range
- Auto Switch Mounting Brackets/Part Nos.

Cylinder Model with Auto Switch Magnet

If a cylinder with an auto switch magnet and without an auto switch is required, there is no need to enter the symbol for the auto switch.

(Example) CDQ2B32R-25DMZ

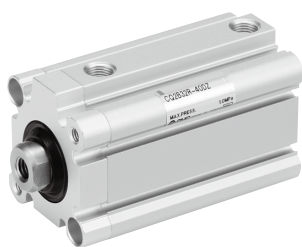
Applicable Auto Switches / Refer to the Web Catalog for further information on auto switches.

Type	Special function	Electrical entry	Indicator light	Wiring (Output)	Load voltage		Auto switch model		Lead wire length [m]				Pre-wired connector	Applicable load		
					DC	AC	Perpendicular	In-line	0.5 (Nil)	1 (M)	3 (L)	5 (Z)		IC circuit	Relay, PLC	
Solid state auto switch	Water resistant (2-color indicator)	Grommet	Yes	3-wire (NPN)	24 V	5 V, 12 V, 12 V	—	M9NAV	M9NA	○	○	●	○	○	—	—
				3-wire (PNP)				M9PAV	M9PA	○	○	●	○			
				2-wire				M9BAV	M9BA	○	○	●	○			

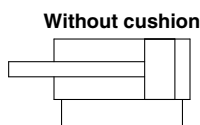
* Lead wire length symbols: 0.5 m Nil (Example) M9BA
1 m M (Example) M9BAM
3 m L (Example) M9BAL
5 m Z (Example) M9BAZ

* Solid state auto switches marked with a "○" are produced upon receipt of order.

Compact Cylinder: Water Resistant Double Acting, Single Rod **CQ2-R/V Series**



Symbol



Made to Order Common Specifications
(For details ⇨ p. 167 to 196)

Symbol	Specifications
-XB10	Intermediate stroke (Exclusive body type)
-XC6(A)	Piston rod/Retaining ring/Rod end nut material: Stainless steel
-XC26	With split pins for double clevis pin/double knuckle joint pin and flat washers
-XC85	Grease for food processing equipment

* Stainless steel accessories are also available.
For details ⇨ p. 34

Moisture Control Tube IDK Series



When operating an actuator with a small bore size and a short stroke at a high frequency, dew condensation (water droplets) may occur inside the piping depending on the conditions.

Simply connecting the moisture control tube to the actuator will prevent dew condensation from occurring. For details, refer to the **Web Catalog**.

⚠ Precautions

Refer to pages 197 and 199 before handling the products.

Specifications

Bore size [mm]	20	25	32	40	50	63	80	100
Action	Double acting, Single rod							
Fluid	Air							
Proof pressure	1.5 MPa							
Maximum operating pressure	1.0 MPa							
Minimum operating pressure	0.08 MPa							
Ambient and fluid temperatures	Without auto switch magnet: -10 to 70°C (No freezing) With auto switch magnet: -10 to 60°C							
Lubrication	Not required (Non-lube)							
Piston speed	50 to 500 mm/s							
Cushion	None							
Allowable kinetic energy [J]	0.055	0.09	0.15	0.26	0.46	0.77	1.36	2.27
Stroke length tolerance	+1.0 mm 0							

Manufacturing of Intermediate Strokes

Type	A spacer is installed in the standard stroke body.	
Part no.	Refer to "How to Order" for the standard model number. (⇨ p. 107)	
Description	Strokes in 1 mm increments are available by installing a spacer in the standard stroke cylinder.	
Stroke range	Bore size	Stroke range
	20, 25	1 to 49
	32 to 100	1 to 99
Example	Part no.: CQ2B50R-57DZ CQ2B50R-75DZ with 18 mm width spacer inside The B dimension is 115.5 mm.	

Mounting Bracket Part Nos.

Bore size [mm]	Foot*1	Compact foot*1	Flange	Double clevis	Double clevis pivot bracket
40	CQ-L040	CQ-LC040	CQ-F040	CQ-D040	CQ-C040
50	CQ-L050	CQ-LC050	CQ-F050	CQ-D050	CQ-C050
63	CQ-L063	CQ-LC063	CQ-F063	CQ-D063	CQ-C063
80	CQ-L080	CQ-LC080	CQ-F080	CQ-D080	CQ-C080
100	CQ-L100	CQ-LC100	CQ-F100	CQ-D100	CQ-C100

*1 When ordering foot and compact foot brackets, order 2 pieces per cylinder.

* Parts included with each type of bracket are as follows.

Foot, Compact foot, Flange: Body mounting bolts, Double clevis: Clevis pin, Type C retaining rings for axis, Body mounting bolts

* Foot, compact foot, flange brackets, etc., cannot be retrofitted for through-hole mounting (B).

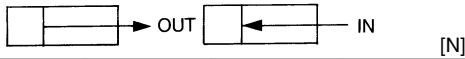
Dimensions of Each Mounting Bracket

The dimensions of each mounting bracket are the same as those of the standard type, double acting, single rod (except the configuration of the piston rod). Refer to pages 29 to 33.

Standard	Double Acting, Single Rod	CQ2
Standard	Double Acting, Double Rod	CQ2W
Single Acting, Spring Return-Extend	Single Acting, Single Rod	CQ2
Large Bore Size	Double Acting, Single Rod	CQ2
Large Bore Size	Double Acting, Double Rod	CQ2W
Anti-lateral Load	Double Acting, Single Rod	CQ2 □ S
Long Stroke	Double Acting, Single Rod	CQ2
Non-rotating Rod	Double Acting, Single Rod	CQ2K
Non-rotating Rod	Double Acting, Double Rod	CQ2KW
Water Resistant	Double Acting, Single Rod	CQ2-R/V
Water Resistant	Double Acting, Double Rod	CQ2W-R/V
Axial Piping	Single Acting, Single Rod	CQP2
Axial Piping	Single Acting, Spring Return-Extend	CQP2
With End Lock	Double Acting, Single Rod	CBQ2
Auto Switch		Auto Switch
Made to Order		Made to Order

CQ2-R/V Series

Theoretical Output



Bore size [mm]	Operating direction	Operating pressure [MPa]		
		0.3	0.5	0.7
20	IN	71	118	165
	OUT	94	157	220
25	IN	113	189	264
	OUT	147	245	344
32	IN	181	302	422
	OUT	241	402	563
40	IN	317	528	739
	OUT	377	628	880
50	IN	495	825	1150
	OUT	589	982	1370
63	IN	841	1400	1960
	OUT	935	1560	2180
80	IN	1360	2270	3170
	OUT	1510	2510	3520
100	IN	2140	3570	5000
	OUT	2360	3930	5500

Weight

Without Auto Switch Magnet

Bore size [mm]	Cylinder stroke [mm]											
	5	10	15	20	25	30	35	40	45	50	75	100
20	112	126	141	155	169	184	198	212	227	241	—	—
25	149	165	182	197	213	229	245	261	277	293	—	—
32	203	224	246	267	288	309	330	352	373	394	544	650
40	220	241	263	284	306	327	349	371	392	414	568	680
50	—	378	411	444	476	509	542	575	608	641	879	1051
63	—	547	585	623	662	700	738	776	814	852	1125	1321
80	—	973	1034	1094	1154	1214	1275	1335	1395	1455	1873	2169
100	—	1703	1783	1863	1944	2024	2104	2185	2265	2345	2915	3323

With Auto Switch Magnet

Bore size [mm]	Cylinder stroke [mm]											
	5	10	15	20	25	30	35	40	45	50	75	100
20	130	142	155	167	179	191	204	216	228	240	—	—
25	182	197	213	228	244	259	275	290	306	320	—	—
32	263	284	305	327	348	369	390	412	433	454	561	668
40	293	315	336	358	379	401	422	444	465	487	598	710
50	—	489	522	555	588	620	653	687	720	753	925	1097
63	—	700	738	776	814	852	890	928	966	1004	1201	1397
80	—	1219	1279	1340	1400	1460	1520	1581	1641	1701	1998	2295
100	—	2061	2142	2222	2302	2383	2463	2543	2624	2704	3112	3520

Additional Weight

Bore size [mm]	20	25	32	40	50	63	80	100
Both ends tapped	—	—	—	6	6	19	45	45
Rod end male thread	Male thread	6	12	26	27	53	53	120
	Nut	4	8	17	17	32	32	49
Foot (Including mounting bolts)	—	—	—	122	194	272	550	912
Compact foot (Including mounting bolts)	—	—	—	93	148	210	454	707
Rod flange (Including mounting bolts)	—	—	—	214	373	559	1056	1365
Head flange (Including mounting bolts)	—	—	—	198	348	534	1017	1309
Double clevis (Including pin, retaining rings, bolts)	—	—	—	196	393	554	1109	1887

Calculation: (Example) **CDQ2D40R-20DMZ**

- Basic weight: CDQ2B40R-20DZ 358 g
- Additional weight: Both ends tapped 6 g
- Rod end male thread 44 g
- Double clevis 196 g

Add each weight of auto switches when auto switches are mounted.

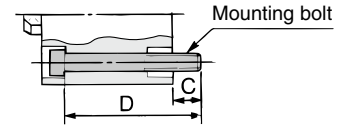
604 g

Through-hole Type Mounting Bolt for the CQ2: Without Auto Switch Magnet

Mounting bolt for the through-hole mounting of the CQ2B is available as an option.
Refer to the following for ordering procedures.
Order the actual number of bolts that will be used.

Example) CQ-M5 x 35L 2 pcs.

Type: Hexagon socket head cap screw
Material: Chromium molybdenum steel
Surface treatment: Zinc chromated



Cylinder model	C	D	Mounting bolt part no.
CQ2B20[□]-5D	7.5	35	CQ-M5 x 35L
-10DZ		40	x 40L
-15DZ		45	x 45L
-20DZ		50	x 50L
-25DZ		55	x 55L
-30DZ		60	x 60L
-35DZ		65	x 65L
-40DZ		70	x 70L
-45DZ		75	x 75L
-50DZ		80	x 80L
CQ2B25[□]-5D	9.5	40	CQ-M5 x 40L
-10DZ		45	x 45L
-15DZ		50	x 50L
-20DZ		55	x 55L
-25DZ		60	x 60L
-30DZ		65	x 65L
-35DZ		70	x 70L
-40DZ		75	x 75L
-45DZ		80	x 80L
-50DZ		85	x 85L
CQ2B32[□]-5DZ	9	40	CQ-M5 x 40L
-10DZ		45	x 45L
-15DZ		50	x 50L
-20DZ		55	x 55L
-25DZ		60	x 60L
-30DZ		65	x 65L
-35DZ		70	x 70L
-40DZ		75	x 75L
-45DZ		80	x 80L
-50DZ		85	x 85L
-75DZ	120	x 120L	
-100DZ	145	x 145L	

Cylinder model	C	D	Mounting bolt part no.
CQ2B40[□]-5DZ	7.5	35	CQ-M5 x 35L
-10DZ		40	x 40L
-15DZ		45	x 45L
-20DZ		50	x 50L
-25DZ		55	x 55L
-30DZ		60	x 60L
-35DZ		65	x 65L
-40DZ		70	x 70L
-45DZ		75	x 75L
-50DZ		80	x 80L
-75DZ	115	x 115L	
-100DZ	140	x 140L	
CQ2B50[□]-10DZ	12.5	45	CQ-M6 x 45L
-15DZ		50	x 50L
-20DZ		55	x 55L
-25DZ		60	x 60L
-30DZ		65	x 65L
-35DZ		70	x 70L
-40DZ		75	x 75L
-45DZ		80	x 80L
-50DZ		85	x 85L
-75DZ		120	x 120L
-100DZ	145	x 145L	
CQ2B63[□]-10DZ	14.5	50	CQ-M8 x 50L
-15DZ		55	x 55L
-20DZ		60	x 60L
-25DZ		65	x 65L
-30DZ		70	x 70L
-35DZ		75	x 75L
-40DZ		80	x 80L
-45DZ		85	x 85L
-50DZ		90	x 90L
-75DZ		125	x 125L
-100DZ	150	x 150L	

Cylinder model	C	D	Mounting bolt part no.
CQ2B80[□]-10DZ	15	55	CQ-M10 x 55L
-15DZ		60	x 60L
-20DZ		65	x 65L
-25DZ		70	x 70L
-30DZ		75	x 75L
-35DZ		80	x 80L
-40DZ		85	x 85L
-45DZ		90	x 90L
-50DZ		95	x 95L
-75DZ		130	x 130L
-100DZ	155	x 155L	
CQ2B100[□]-10DZ	15.5	65	CQ-M10 x 65L
-15DZ		70	x 70L
-20DZ		75	x 75L
-25DZ		80	x 80L
-30DZ		85	x 85L
-35DZ		90	x 90L
-40DZ		95	x 95L
-45DZ		100	x 100L
-50DZ		105	x 105L
-75DZ		140	x 140L
-100DZ	165	x 165L	

Through-hole Type Mounting Bolt for the CDQ2: With Auto Switch Magnet

Cylinder model	C	D	Mounting bolt part no.
CDQ2B20[□]-5DZ	10.5	50	CQ-M5 x 50L
-10DZ		55	x 55L
-15DZ		60	x 60L
-20DZ		65	x 65L
-25DZ		70	x 70L
-30DZ		75	x 75L
-35DZ		80	x 80L
-40DZ		85	x 85L
-45DZ		90	x 90L
-50DZ		95	x 95L
CDQ2B25[□]-5DZ	9.5	50	CQ-M5 x 50L
-10DZ		55	x 55L
-15DZ		60	x 60L
-20DZ		65	x 65L
-25DZ		70	x 70L
-30DZ		75	x 75L
-35DZ		80	x 80L
-40DZ		85	x 85L
-45DZ		90	x 90L
-50DZ		95	x 95L
CDQ2B32[□]-5DZ	9	50	CQ-M5 x 50L
-10DZ		55	x 55L
-15DZ		60	x 60L
-20DZ		65	x 65L
-25DZ		70	x 70L
-30DZ		75	x 75L
-35DZ		80	x 80L
-40DZ		85	x 85L
-45DZ		90	x 90L
-50DZ		95	x 95L
-75DZ	120	x 120L	
-100DZ	145	x 145L	

Cylinder model	C	D	Mounting bolt part no.
CDQ2B40[□]-5DZ	7.5	45	CQ-M5 x 45L
-10DZ		50	x 50L
-15DZ		55	x 55L
-20DZ		60	x 60L
-25DZ		65	x 65L
-30DZ		70	x 70L
-35DZ		75	x 75L
-40DZ		80	x 80L
-45DZ		85	x 85L
-50DZ		90	x 90L
-75DZ	115	x 115L	
-100DZ	140	x 140L	
CDQ2B50[□]-10DZ	12.5	55	CQ-M6 x 55L
-15DZ		60	x 60L
-20DZ		65	x 65L
-25DZ		70	x 70L
-30DZ		75	x 75L
-35DZ		80	x 80L
-40DZ		85	x 85L
-45DZ		90	x 90L
-50DZ		95	x 95L
-75DZ		120	x 120L
-100DZ	145	x 145L	
CDQ2B63[□]-10DZ	14.5	60	CQ-M8 x 60L
-15DZ		65	x 65L
-20DZ		70	x 70L
-25DZ		75	x 75L
-30DZ		80	x 80L
-35DZ		85	x 85L
-40DZ		90	x 90L
-45DZ		95	x 95L
-50DZ		100	x 100L
-75DZ		125	x 125L
-100DZ	150	x 150L	

Cylinder model	C	D	Mounting bolt part no.
CDQ2B80[□]-10DZ	15	65	CQ-M10 x 65L
-15DZ		70	x 70L
-20DZ		75	x 75L
-25DZ		80	x 80L
-30DZ		85	x 85L
-35DZ		90	x 90L
-40DZ		95	x 95L
-45DZ		100	x 100L
-50DZ		105	x 105L
-75DZ		130	x 130L
-100DZ	155	x 155L	
CDQ2B100[□]-10DZ	15.5	75	CQ-M10 x 75L
-15DZ		80	x 80L
-20DZ		85	x 85L
-25DZ		90	x 90L
-30DZ		95	x 95L
-35DZ		100	x 100L
-40DZ		105	x 105L
-45DZ		110	x 110L
-50DZ		115	x 115L
-75DZ		140	x 140L
-100DZ	165	x 165L	

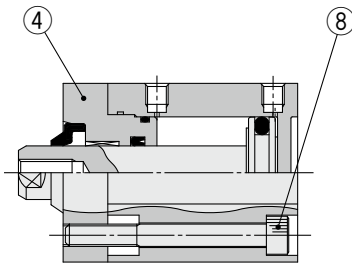
Standard Double Acting, Single Rod **CQ2**
 Double Acting, Double Rod **CQ2W**
 Single Acting, Spring Return, Double Rod **CQ2**
 Large Bore Size Double Acting, Double Rod **CQ2W**
 Double Acting, Single Rod **CQ2**
 Anti-lateral Load Double Acting, Single Rod **CQ2**
 Long Stroke Double Acting, Single Rod **CQ2**
 Non-rotating Rod Double Acting, Single Rod **CQ2K**
 Double Acting, Double Rod **CQ2KW**
 Water Resistant Double Acting, Single Rod **CQ2-R/V**
 Double Acting, Double Rod **CQ2W-R/V**
 Axial Piping Double Acting, Single Rod **CQP2**
 Single Acting, Spring Return, Double Rod **CQP2**
 With End Lock Double Acting, Single Rod **CBQ2**
 Auto Switch **Auto Switch**
 Made to Order **Made to Order**

CQ2-R/V Series

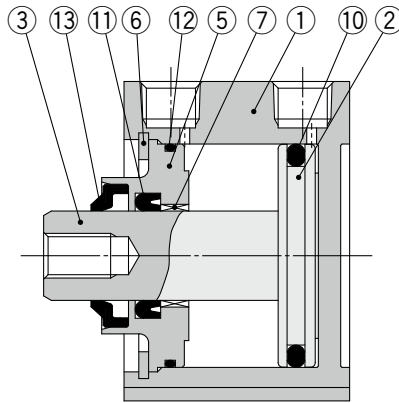
Construction

Without auto switch magnet

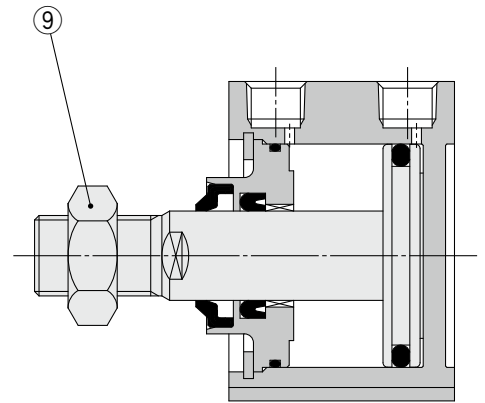
ø20 to ø32



ø40 to ø100

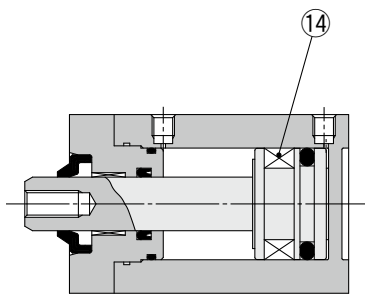


Rod end male thread

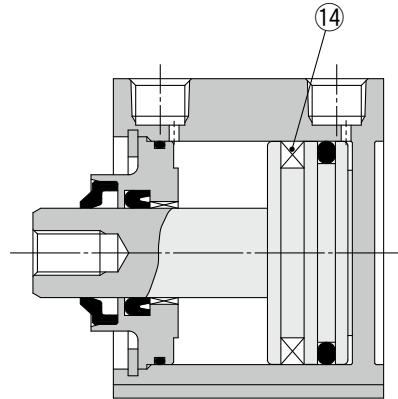


With auto switch magnet

ø20 to ø32



ø40 to ø100



Component Parts

No.	Description	Material	Note
1	Cylinder tube	Aluminum alloy	Hard anodized
2	Piston	Aluminum alloy	
3	Piston rod	Stainless steel	ø20 to ø25
		Carbon steel	ø32 to ø100, Hard chrome plating
4	Rod cover	Aluminum alloy	ø20 to ø32, Anodized
5	Collar	Aluminum alloy	ø40 to ø100, Anodized
6	Retaining ring	Carbon tool steel	ø40 to ø100, Phosphate coated
7	Bushing	Oil-impregnated sintered alloy	ø20, ø25
		Bearing alloy	ø32 to ø100
8	Hexagon socket head cap screw	Chromium molybdenum steel	ø20 to ø32, Zinc chromated
9	Rod end nut	Carbon steel	Zinc chromated
10	Piston seal	R: NBR	
		V: FKM	
11	Rod seal	R: NBR	
		V: FKM	
12	Tube gasket	R: NBR	
		V: FKM	
13	Rod scraper	R: NBR	
		V: FKM	
14	Magnet	—	

* R: NBR seal (Nitrile rubber) V: FKM seal (Fluororubber)

Replacement Parts/Seal Kit

Bore size [mm]	Kit no.		Contents
	R: NBR	V: FKM	
20	CQ2B20R-PS	CQ2B20V-PS	Set of nos. ⑩, ⑪, ⑫
25	CQ2B25R-PS	CQ2B25V-PS	
32	CQ2B32R-PS	CQ2B32V-PS	
40	CQ2B40R-PS	CQ2B40V-PS	
50	CQ2B50R-PS	CQ2B50V-PS	
63	CQ2B63R-PS	CQ2B63V-PS	
80	CQ2B80R-PS	CQ2B80V-PS	
100	CQ2B100R-PS	CQ2B100V-PS	

* Seal kit includes ⑩, ⑪, ⑫. Order the seal kit based on each bore size.

* A rod scraper cannot be replaced independently. It is press-fitted, so replace it not only with a rod cover and collar, but also with a rod cover assembly and collar assembly.

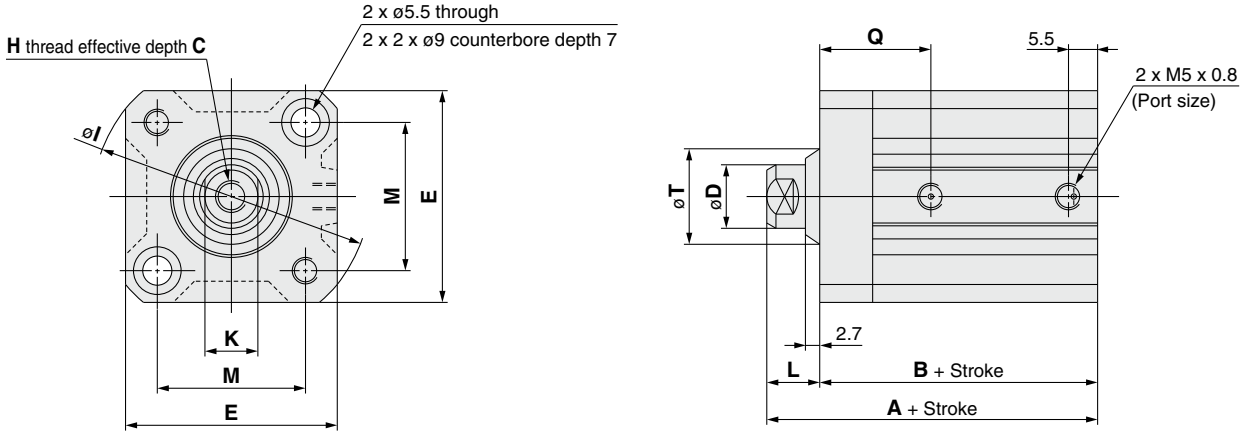
* The seal kit does not include a grease pack. Order it separately.

Grease pack part no.: GR-S-010 (10 g)

Bore Size

Ø20, Ø25 Without Auto Switch Magnet

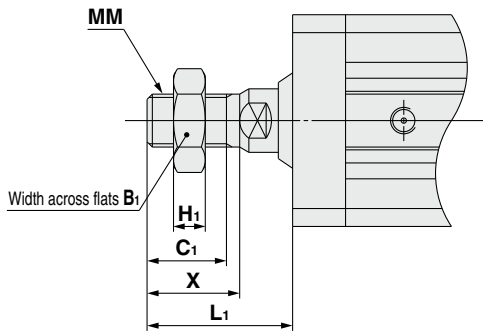
Through-hole: CQ2B-R/V



Bore size [mm]	Stroke range [mm]	A	B	C	D	E	H	I	K	L	M	Q	T
20	5 to 50	39	29.5	7	10	36	M5 x 0.8	47	8	9.5	25.5	18	16.1
25	5 to 50	42.5	32.5	12	12	40	M6 x 1.0	52	10	10	28	19	18.1

* For details on the rod end nut and accessory brackets ⇨ p. 34 to 36
 * For calculation on the longitudinal dimension of intermediate strokes ⇨ p. 108

Rod end male thread



Bore size [mm]	B ₁	C ₁	H ₁	L ₁	MM	X
20	13	12	5	23.5	M8 x 1.25	14
25	17	15	6	27.5	M10 x 1.25	17.5

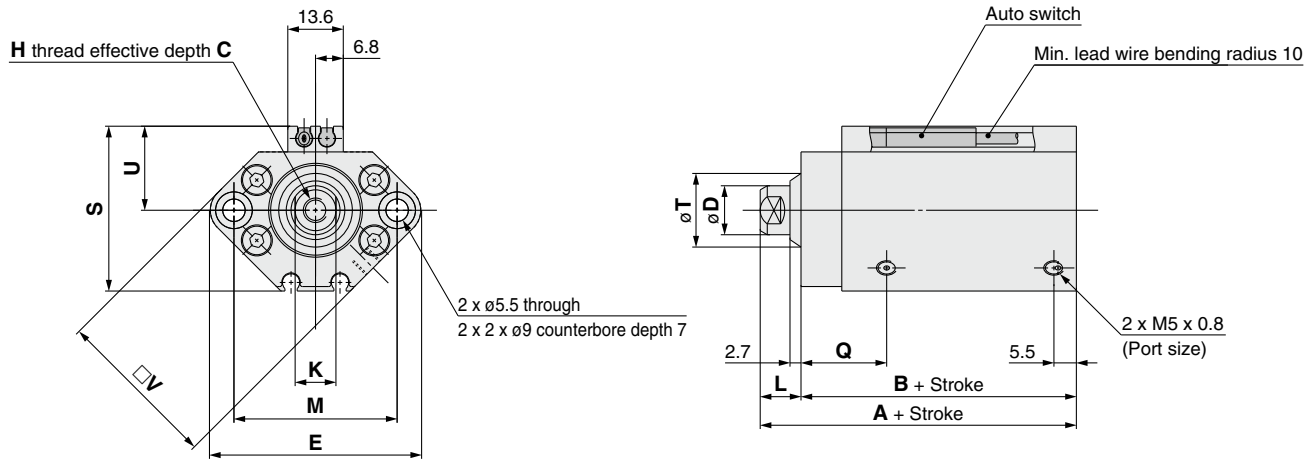
Standard	Double Acting, Single Rod	CQ2
Standard	Double Acting, Double Rod	CQ2W
Single Acting, Spring Return-End	Double Acting, Single Rod	CQ2
Single Acting, Spring Return-End	Double Acting, Double Rod	CQ2W
Large Bore Size	Double Acting, Single Rod	CQ2
Large Bore Size	Double Acting, Double Rod	CQ2W
Anti-lateral Load	Double Acting, Single Rod	CQ2□S
Anti-lateral Load	Double Acting, Double Rod	CQ2W□S
Long Stroke	Double Acting, Single Rod	CQ2
Long Stroke	Double Acting, Double Rod	CQ2W
Non-rotating Rod	Double Acting, Single Rod	CQ2K
Non-rotating Rod	Double Acting, Double Rod	CQ2KW
Water Resistant	Double Acting, Single Rod	CQ2-R/V
Water Resistant	Double Acting, Double Rod	CQ2W-R/V
Axial Piping	Double Acting, Single Rod	CQP2
Axial Piping	Double Acting, Double Rod	CQP2W
With End Lock	Double Acting, Single Rod	CBQ2
With End Lock	Double Acting, Double Rod	CBQ2W
Auto Switch	Double Acting, Single Rod	CQ2S
Auto Switch	Double Acting, Double Rod	CQ2WS
Made to Order	Double Acting, Single Rod	CQ2M
Made to Order	Double Acting, Double Rod	CQ2WM

CQ2-R/V Series

Bore Size

Ø20, Ø25 With Auto Switch Magnet

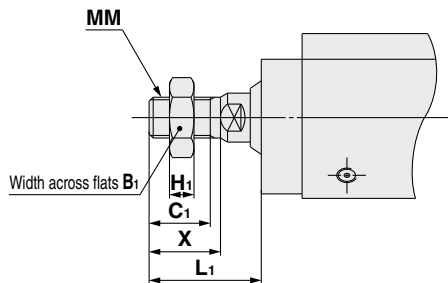
Through-hole: CDQ2B-R/V



Bore size [mm]	Stroke range [mm]	A	B	C	D	E	H	K	L	M	Q	S	T	U	V
20	5 to 50	51	41.5	7	10	47	M5 x 0.8	8	9.5	36	18	35.5	16.1	18	36
25	5 to 50	52.5	42.5	12	12	52	M6 x 1.0	10	10	40	19	40.5	18.1	21	40

- * For details on the rod end nut and accessory brackets ⇨ p. 34 to 36
- * For calculation on the longitudinal dimension of intermediate strokes ⇨ p. 108
- * For the auto switch proper mounting position and mounting height ⇨ p. 149 to 156

Rod end male thread

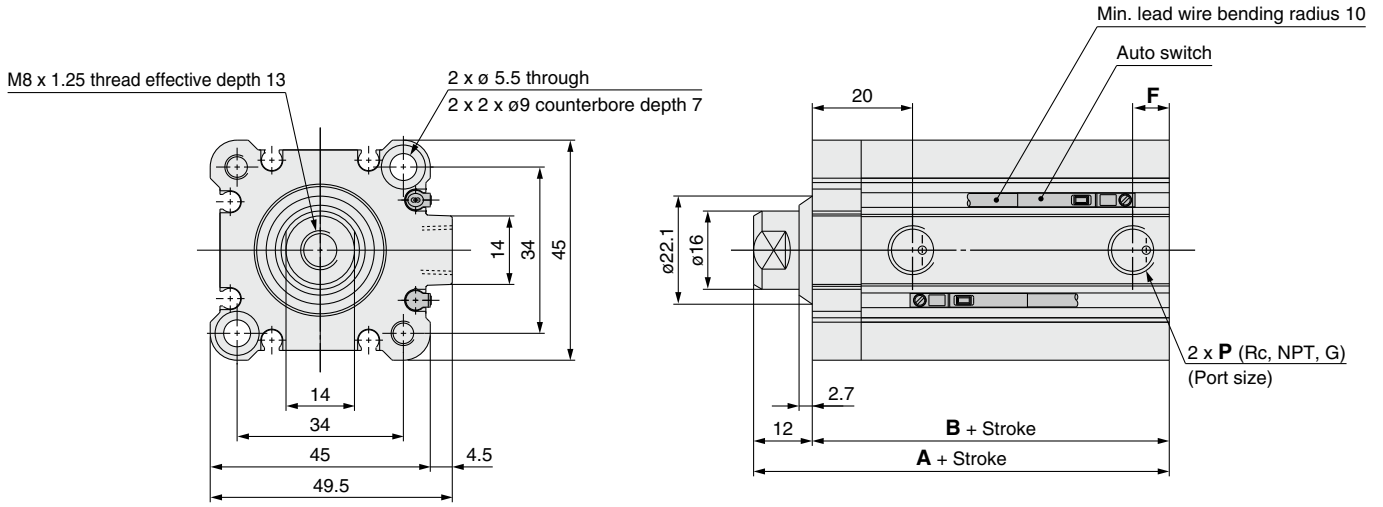


Bore size [mm]	B ₁	C ₁	H ₁	L ₁	MM	X
20	13	12	5	23.5	M8 x 1.25	14
25	17	15	6	27.5	M10 x 1.25	17.5

Bore Size

Ø32 With/Without Auto Switch Magnet

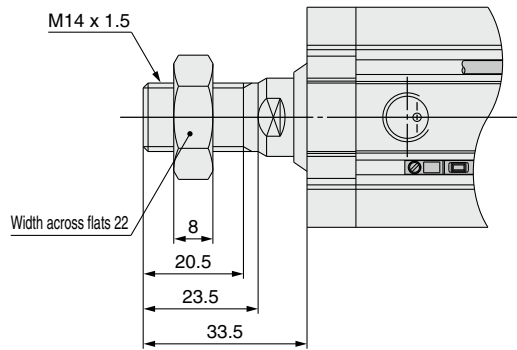
Through-hole: **C□Q2B-R/V**



Stroke range [mm]	Without auto switch magnet				With auto switch magnet			
	A	B	F	P	A	B	F	P
5	45	33	5.5	M5 x 0.8	55	43	7.5	1/8
10 to 50			7.5	1/8				
75, 100	55	43						

* For details on the rod end nut and accessory brackets ⇨ p. 34 to 36
 * For calculation on the longitudinal dimension of intermediate strokes ⇨ p. 108

Rod end male thread



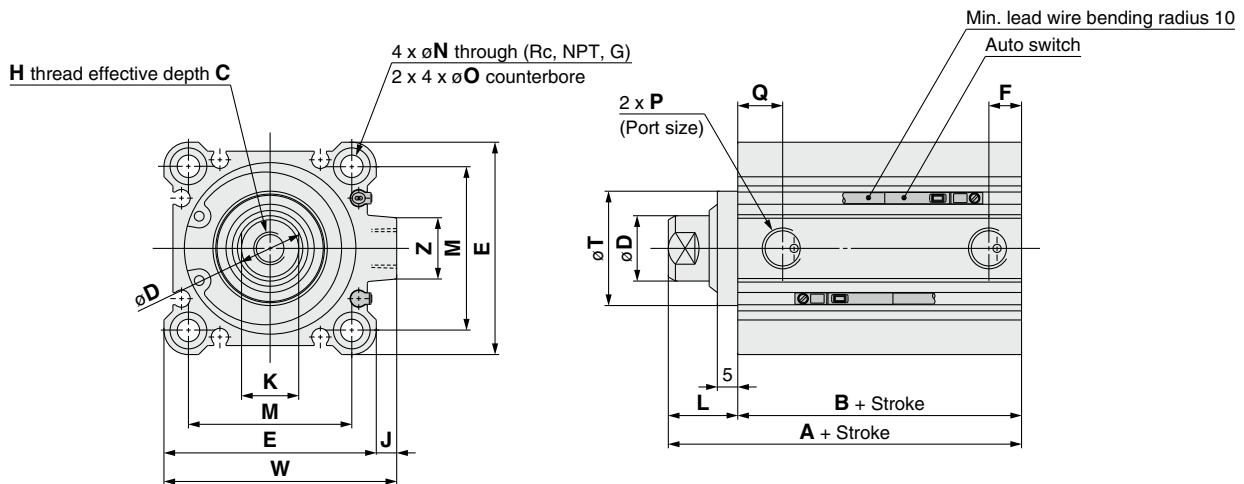
Standard	Double Acting, Double Rod	CQ2W
Standard	Double Acting, Single Rod	CQ2
Single Acting, Spring Return-Extend	Double Acting, Double Rod	CQ2
Single Acting, Spring Return-Extend	Double Acting, Single Rod	CQ2
Large Bore Size	Double Acting, Double Rod	CQ2W
Large Bore Size	Double Acting, Single Rod	CQ2
Anti-lateral Load	Double Acting, Single Rod	CQ2□S
Long Stroke	Double Acting, Single Rod	CQ2
Long Stroke	Double Acting, Double Rod	CQ2K
Non-rotating Rod	Double Acting, Double Rod	CQ2KW
Non-rotating Rod	Double Acting, Single Rod	CQ2-R/V
Water Resistant	Double Acting, Double Rod	CQ2W-R/V
Water Resistant	Double Acting, Single Rod	CQ2-R/V
Axial Piping	Double Acting, Single Rod	CQP2
Axial Piping	Double Acting, Double Rod	CQP2
With End Lock	Double Acting, Single Rod	CBQ2
With End Lock	Double Acting, Double Rod	CBQ2
Auto Switch		Auto Switch
Made to Order		Made to Order

CQ2-R/V Series

Bore Size

∅40 to ∅100 With/Without Auto Switch Magnet

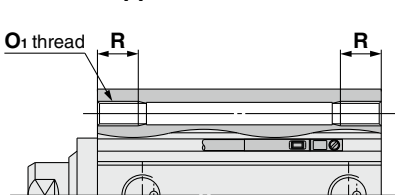
Through-hole: C□Q2B-R/V



Bore size [mm]	Stroke range [mm]	Without auto switch magnet		With auto switch magnet		[mm]															
		A	B	A	B	C	D	E	F	H	J	K	L	M	N	O	P	Q	T	W	Z
40	5 to 50	46.5	29.5	56.5	39.5	13	16	52	7.5	M8 x 1.25	5	14	17	40	5.5	9 depth 7	1/8	12.5	28	57	15
	75, 100	56.5	39.5																		
50	10 to 50	48.5	30.5	58.5	40.5	15	20	64	10.5	M10 x 1.5	7	17	18	50	6.6	11 depth 8	1/4	10.5	35	71	19
	75, 100	58.5	40.5																		
63	10 to 50	54	36	64	46	15	20	77	10.5	M10 x 1.5	7	17	18	60	9	14 depth 10.5	1/4	15	35	84	19
	75, 100	64	46																		
80	10 to 50	63.5	43.5	73.5	53.5	21	25	98	12.5	M16 x 2.0	6	22	20	77	11	17.5 depth 13.5	3/8	16	43	104	25
	75, 100	73.5	53.5																		
100	10 to 50	75	53	85	63	27	30	117	13	M20 x 2.5	6.5	27	22	94	11	17.5 depth 13.5	3/8	23	59	123.5	25
	75, 100	85	63																		

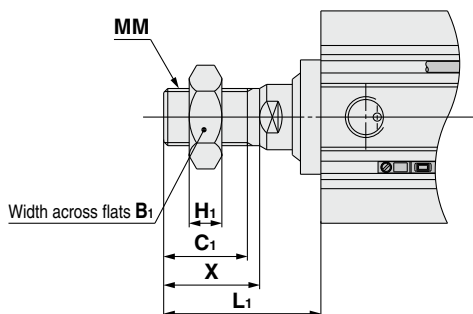
- * For details on the rod end nut and accessory brackets ⇨ p. 34 to 36
- * For calculation on the longitudinal dimension of intermediate strokes ⇨ p. 108
- * For the auto switch proper mounting position and mounting height ⇨ p. 149 to 156

Both ends tapped



Bore size [mm]	O ₁	R
40	M6 x 1.0	10
50	M8 x 1.25	14
63	M10 x 1.5	18
80	M12 x 1.75	22
100	M12 x 1.75	22

Rod end male thread



Bore size [mm]	B ₁	C ₁	H ₁	L ₁	MM	X
40	22	20.5	8	38.5	M14 x 1.5	23.5
50	27	26	11	43.5	M18 x 1.5	28.5
63	27	26	11	43.5	M18 x 1.5	28.5
80	32	32.5	13	53.5	M22 x 1.5	35.5
100	41	32.5	16	53.5	M26 x 1.5	35.5

Dimensions of Each Mounting Bracket

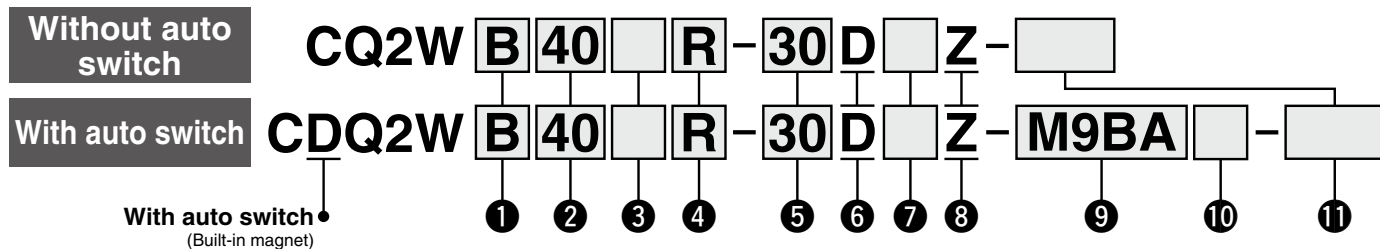
The dimensions of each mounting bracket are the same as those of the standard type, double acting, single rod (except the configuration of the piston rod). Refer to pages 29 to 33.

Compact Cylinder: Water Resistant Double Acting, Double Rod

CQ2W-R/V Series

∅40, ∅50, ∅63, ∅80, ∅100

How to Order



1 Mounting

B	Through-hole
A	Both ends tapped
L	Foot
LC	Compact foot
F	Rod flange

* Mounting brackets are shipped together with the product but do not come assembled.

* A through-hole type mounting bolt is available as an option. For details ⇨ p. 119

6 Action

D	Double acting
---	---------------

9 Auto switch

Nil	Without auto switch
-----	---------------------

* For applicable auto switches, refer to the table below.

For details on auto switch mounting ⇨ p. 149 to 165

· Auto Switch Proper Mounting Position (Detection at stroke end) and Mounting Height
· Minimum Stroke for Auto Switch Mounting
· Operating Range
· Auto Switch Mounting Brackets/Part Nos.

2 Bore size

40	40 mm
50	50 mm
63	63 mm
80	80 mm
100	100 mm

3 Port thread type

Nil	M thread
	Rc
	NPT
TN	NPT
TF	G

4 Water-resistant cylinder

R	NBR seal (Nitrile rubber)
V	FKM seal (Fluororubber)

5 Cylinder stroke [mm]

For standard strokes ⇨ p. 117

7 Body option

Nil	Rod end female thread
M	Rod end male thread

8 Auto switch mounting groove

Z	∅40 to ∅100	4 surfaces
---	-------------	------------

10 Number of auto switches

Nil	2
S	1
n	n

11 Made to order common specifications

For details ⇨ p. 117

Cylinder Model with Auto Switch Magnet

If a cylinder with an auto switch magnet and without an auto switch is required, there is no need to enter the symbol for the auto switch.
(Example) CDQ2B40R-50DMZ

Applicable Auto Switches / Refer to the Web Catalog for further information on auto switches.

Type	Special function	Electrical entry	Indicator light	Wiring (Output)	Load voltage		Auto switch model		Lead wire length [m]				Pre-wired connector	Applicable load		
					DC	AC	Perpendicular	In-line	0.5 (Nil)	1 (M)	3 (L)	5 (Z)		IC circuit	Relay, PLC	
Solid state auto switch	Water resistant (2-color indicator)	Grommet	Yes	3-wire (NPN)	24 V	5 V, 12 V	—	M9NAV	M9NA	○	○	●	○	○	—	—
				3-wire (PNP)				M9PAV	M9PA	○	○	●	○			
				2-wire				M9BAV	M9BA	○	○	●	○			

* Lead wire length symbols: 0.5 m Nil (Example) M9BA
1 m M (Example) M9BAM
3 m L (Example) M9BAL
5 m Z (Example) M9BAZ

* Solid state auto switches marked with a "○" are produced upon receipt of order.

Standard Double Acting, Single Rod CQ2

Standard Double Acting, Double Rod CQ2W

Single Acting, Spring Return, End CQ2

Large Bore Size Double Acting, Single Rod CQ2

Large Bore Size Double Acting, Double Rod CQ2W

Anti-lateral Load Double Acting, Single Rod CQ2S

Long Stroke Double Acting, Single Rod CQ2

Long Stroke Double Acting, Double Rod CQ2K

Non-rotating Rod Double Acting, Single Rod CQ2KW

Non-rotating Rod Double Acting, Double Rod CQ2KW

Water Resistant Double Acting, Single Rod CQ2-R/V

Water Resistant Double Acting, Double Rod CQ2W-R/V

Axial Piping Double Acting, Single Rod CQP2

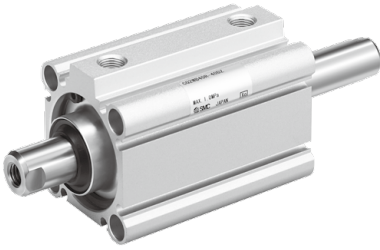
Axial Piping Single Acting, Spring Return, End CQP2

With End Lock Double Acting, Single Rod CBQ2

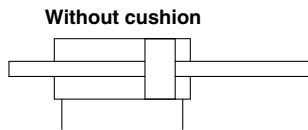
Auto Switch

Made to Order

CQ2W-R/V Series



Symbol



Made to Order Common Specifications
(For details ⇨ p. 167 to 196)

Symbol	Specifications
-XB10	Intermediate stroke (Exclusive body type)
-XC6	Piston rod/Retaining ring/Rod end nut material: Stainless steel
-XC6A*1	Piston rod/Rod end nut/Cover holding bolt material: Stainless steel
-XC85	Grease for food processing equipment

*1 -XC6A: $\varnothing 20$, $\varnothing 25$, $\varnothing 32$ of the C□Q2□□ only

* Stainless steel accessories are also available.
For details ⇨ p. 34

Specifications

Bore size [mm]	40	50	63	80	100
Action	Double acting, Double rod				
Fluid	Air				
Proof pressure	1.5 MPa				
Maximum operating pressure	1.0 MPa				
Minimum operating pressure	0.08 MPa				
Ambient and fluid temperatures	Without auto switch magnet: -10 to 70°C (No freezing) With auto switch magnet: -10 to 60°C				
Lubrication	Not required (Non-lube)				
Piston speed	50 to 500 mm/s				
Cushion	None				
Allowable kinetic energy [J]	0.26	0.46	0.77	1.36	2.27
Stroke length tolerance	+1.0 mm 0				

Standard Strokes

Bore size	Standard stroke [mm]
40	5, 10, 15, 20, 25, 30, 35, 40, 45, 50, 75, 100
50, 63, 80, 100	10, 15, 20, 25, 30, 35, 40, 45, 50, 75, 100

Manufacturing of Intermediate Strokes

Type	A spacer is installed in the standard stroke body.	
Part no.	Refer to "How to Order" for the standard model number. (p. 116)	
Description	Strokes in 1 mm increments are available by installing a spacer in the standard stroke cylinder.	
Stroke range	Bore size	Stroke range
	40 to 100	1 to 99
Example	Part no.: CQ2WB50R-57DZ CQ2WB50R-75DZ with 18 mm width spacer inside The B dimension is 115.5 mm.	

Mounting Bracket Part Nos.

Bore size [mm]	Foot*1	Compact foot*1	Flange
40	CQ-L040	CQ-LC040	CQ-F040
50	CQ-L050	CQ-LC050	CQ-F050
63	CQ-L063	CQ-LC063	CQ-F063
80	CQ-L080	CQ-LC080	CQ-F080
100	CQ-L100	CQ-LC100	CQ-F100

*1 When ordering foot and compact foot brackets, order 2 pieces per cylinder.

* Parts included with each type of bracket are as follows.

Foot, Compact foot, Flange: Body mounting bolts

* Foot, compact foot, flange brackets, etc., cannot be retrofitted for through-hole mounting (B).

⚠ Precautions

Refer to pages 197 to 199 before handling the products.

Dimensions of Each Mounting Bracket

The dimensions of each mounting bracket are the same as those of the standard type, double acting, double rod (except the configuration of the piston rod). Refer to pages 48 to 50.

Theoretical Output

Bore size [mm]	Operating pressure [MPa]		
	0.3	0.5	0.7
40	317	528	739
50	495	825	1150
63	841	1400	1960
80	1360	2270	3170
100	2140	3570	5000

Weight

Without Auto Switch Magnet

Stroke Bore size	5	10	15	20	25	30	35	40	45	50	75	100
	ø40	357	387	416	446	475	505	534	564	594	624	855
ø50	—	645	692	737	782	829	874	918	965	1010	1343	1572
ø63	—	786	837	886	935	986	1035	1084	1135	1184	1555	1804
ø80	—	1447	1526	1604	1682	1761	1839	1917	1996	2074	2674	3066
ø100	—	2464	2572	2680	2787	2896	3003	3111	3219	3326	4156	4695

With Auto Switch Magnet

Stroke Bore size	5	10	15	20	25	30	35	40	45	50	75	100
	ø40	452	482	510	540	569	599	629	659	689	719	867
ø50	—	764	810	856	901	946	992	1037	1084	1129	1357	1586
ø63	—	930	980	1030	1079	1129	1179	1228	1279	1328	1577	1826
ø80	—	1680	1757	1836	1915	1992	2071	2150	2227	2306	2697	3089
ø100	—	2791	2899	3008	3114	3222	3330	3438	3546	3653	4191	4730

Additional Weight

Bore size [mm]	40	50	63	80	100
Both ends tapped	6	6	19	45	45
Rod end male thread	Male thread	54	106	106	240
	Nut	34	64	64	98
Foot (Including mounting bolts)	122	194	272	550	912
Compact foot (Including mounting bolts)	93	148	210	454	707
Flange (Including mounting bolts)	214	373	559	1056	1365

Calculation: (Example) **CQ2WF40R-20DMZ**

- Basic weight: CQ2WB40R-20DZ 446 g
- Additional weight: Both ends tapped 6 g
- Rod end male thread 88 g
- Flange 214 g

Add each weight of auto switches when auto switches are mounted.

754 g

Standard	Double Acting, Single Rod	CQ2
Standard	Double Acting, Double Rod	CQ2W
Standard	Single Acting, Spring Return, Double Rod	CQ2
Large Bore Size	Double Acting, Single Rod	CQ2
Large Bore Size	Double Acting, Double Rod	CQ2W
Anti-lateral Load	Double Acting, Single Rod	CQ2 <input type="checkbox"/> S
Long Stroke	Double Acting, Single Rod	CQ2
Non-rotating Rod	Double Acting, Single Rod	CQ2K
Non-rotating Rod	Double Acting, Double Rod	CQ2KW
Water Resistant	Double Acting, Single Rod	CQ2-R/V
Water Resistant	Double Acting, Double Rod	CQ2W-R/V
Axial Piping	Double Acting, Single Rod	CQP2
Axial Piping	Single Acting, Spring Return, Double Rod	CQP2
With End Lock	Double Acting, Single Rod	CBQ2
Auto Switch		Auto Switch
Made to Order		Made to Order

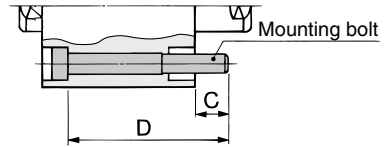
CQ2W-R/V Series

Through-hole Type Mounting Bolt for the CQ2W: Without Auto Switch Magnet

Mounting bolt for the through-hole mounting of the CQ2WB is available as an option.
Refer to the following for ordering procedures.
Order the actual number of bolts that will be used.

Example) CQ-M5 x 45L 2 pcs.

Type: Hexagon socket head cap screw
Material: Chromium molybdenum steel
Surface treatment: Zinc chromated



Cylinder model	C	D	Mounting bolt part no.
CQ2WB40^φ-5DZ	7	45	CQ-M5 x 45L
-10DZ		50	x 50L
-15DZ		55	x 55L
-20DZ		60	x 60L
-25DZ		65	x 65L
-30DZ		70	x 70L
-35DZ		75	x 75L
-40DZ		80	x 80L
-45DZ		85	x 85L
-50DZ		90	x 90L
-75DZ		125	x 125L
-100DZ		150	x 150L
CQ2WB50^φ-10DZ	12.5	55	CQ-M6 x 55L
-15DZ		60	x 60L
-20DZ		65	x 65L
-25DZ		70	x 70L
-30DZ		75	x 75L
-35DZ		80	x 80L
-40DZ		85	x 85L
-45DZ		90	x 90L
-50DZ		95	x 95L
-75DZ		130	x 130L
-100DZ	155	x 155L	

Cylinder model	C	D	Mounting bolt part no.
CQ2WB63^φ-10DZ	13.5	55	CQ-M8 x 55L
-15DZ		60	x 60L
-20DZ		65	x 65L
-25DZ		70	x 70L
-30DZ		75	x 75L
-35DZ		80	x 80L
-40DZ		85	x 85L
-45DZ		90	x 90L
-50DZ		95	x 95L
-75DZ		130	x 130L
-100DZ		155	x 155L
CQ2WB80^φ-10DZ		12.5	60
-15DZ	65		x 65L
-20DZ	70		x 70L
-25DZ	75		x 75L
-30DZ	80		x 80L
-35DZ	85		x 85L
-40DZ	90		x 90L
-45DZ	95		x 95L
-50DZ	100		x 100L
-75DZ	135		x 135L
-100DZ	160	x 160L	

Cylinder model	C	D	Mounting bolt part no.
CQ2WB100^φ-10DZ	13	70	CQ-M10 x 70L
-15DZ		75	x 75L
-20DZ		80	x 80L
-25DZ		85	x 85L
-30DZ		90	x 90L
-35DZ		95	x 95L
-40DZ		100	x 100L
-45DZ		105	x 105L
-50DZ		110	x 110L
-75DZ		145	x 145L
-100DZ	170	x 170L	

Through-hole Type Mounting Bolt for the CDQ2W: With Auto Switch Magnet

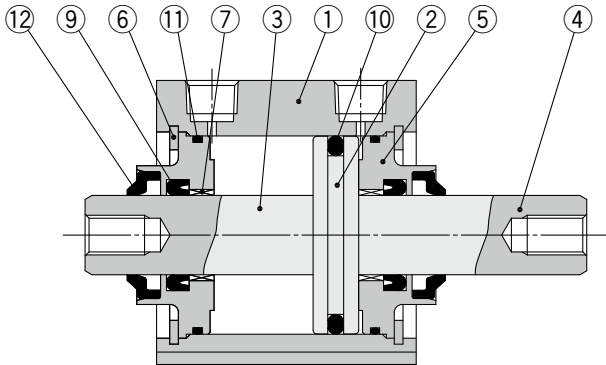
Cylinder model	C	D	Mounting bolt part no.
CDQ2WB40^φ-5DZ	7	55	CQ-M5 x 55L
-10DZ		60	x 60L
-15DZ		65	x 65L
-20DZ		70	x 70L
-25DZ		75	x 75L
-30DZ		80	x 80L
-35DZ		85	x 85L
-40DZ		90	x 90L
-45DZ		95	x 95L
-50DZ		100	x 100L
-75DZ		125	x 125L
-100DZ		150	x 150L
CDQ2WB50^φ-10DZ	12.5	65	CQ-M6 x 65L
-15DZ		70	x 70L
-20DZ		75	x 75L
-25DZ		80	x 80L
-30DZ		85	x 85L
-35DZ		90	x 90L
-40DZ		95	x 95L
-45DZ		100	x 100L
-50DZ		105	x 105L
-75DZ		130	x 130L
-100DZ	155	x 155L	

Cylinder model	C	D	Mounting bolt part no.
CDQ2WB63^φ-10DZ	13.5	65	CQ-M8 x 65L
-15DZ		70	x 70L
-20DZ		75	x 75L
-25DZ		80	x 80L
-30DZ		85	x 85L
-35DZ		90	x 90L
-40DZ		95	x 95L
-45DZ		100	x 100L
-50DZ		105	x 105L
-75DZ		130	x 130L
-100DZ		155	x 155L
CDQ2WB80^φ-10DZ		12.5	70
-15DZ	75		x 75L
-20DZ	80		x 80L
-25DZ	85		x 85L
-30DZ	90		x 90L
-35DZ	95		x 95L
-40DZ	100		x 100L
-45DZ	105		x 105L
-50DZ	110		x 110L
-75DZ	135		x 135L
-100DZ	160	x 160L	

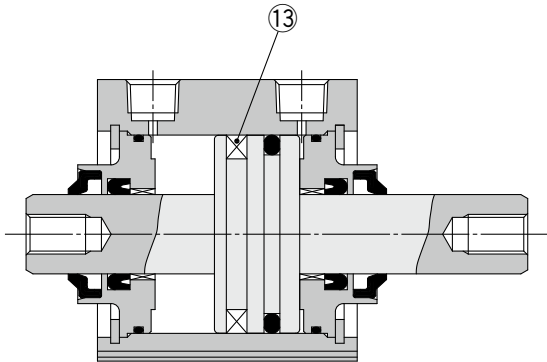
Cylinder model	C	D	Mounting bolt part no.
CDQ2WB100^φ-10DZ	13	80	CQ-M10 x 80L
-15DZ		85	x 85L
-20DZ		90	x 90L
-25DZ		95	x 95L
-30DZ		100	x 100L
-35DZ		105	x 105L
-40DZ		110	x 110L
-45DZ		115	x 115L
-50DZ		120	x 120L
-75DZ		145	x 145L
-100DZ	170	x 170L	

Construction

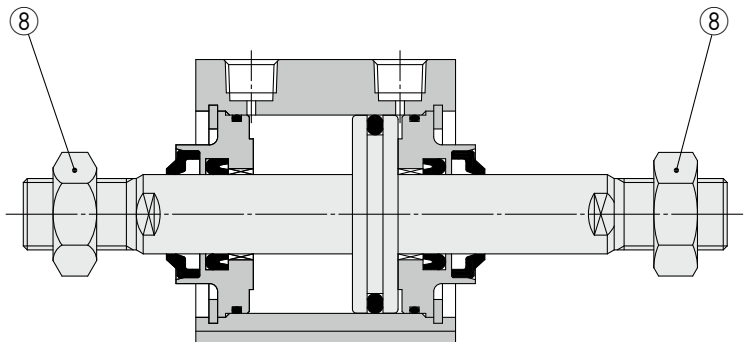
Without auto switch magnet



With auto switch magnet



Rod end male thread



Component Parts

No.	Description	Material	Note
1	Cylinder tube	Aluminum alloy	Hard anodized
2	Piston	Aluminum alloy	
3	Piston rod A	Carbon steel	Hard chrome plating
4	Piston rod B	Carbon steel	Hard chrome plating
5	Collar	Aluminum alloy	
6	Retaining ring	Carbon tool steel	Phosphate coated
7	Bushing	Bearing alloy	
8	Rod end nut	Carbon steel	Zinc chromated
9	Rod seal	R: NBR V: FKM	
10	Piston seal	R: NBR V: FKM	
11	Tube gasket	R: NBR V: FKM	
12	Rod scraper	R: NBR V: FKM	
13	Magnet		

* R: NBR seal (Nitrile rubber)
V: FKM seal (Fluororubber)

Replacement Parts/Seal Kit

Bore size [mm]	Kit no.		Contents
	R: NBR	V: FKM	
40	CQ2WB40R-PS	CQ2WB40V-PS	Set of nos. ⑨, ⑩, ⑪
50	CQ2WB50R-PS	CQ2WB50V-PS	
63	CQ2WB63R-PS	CQ2WB63V-PS	
80	CQ2WB80R-PS	CQ2WB80V-PS	
100	CQ2WB100R-PS	CQ2WB100V-PS	

- Seal kit includes ⑨, ⑩, ⑪. Order the seal kit based on each bore size.
- A rod scraper cannot be replaced independently. It is press-fitted, so replace it not only with a collar, but also with a collar assembly.
- * The seal kit does not include a grease pack. Order it separately.
Grease pack part no.: GR-S-010 (10 g)

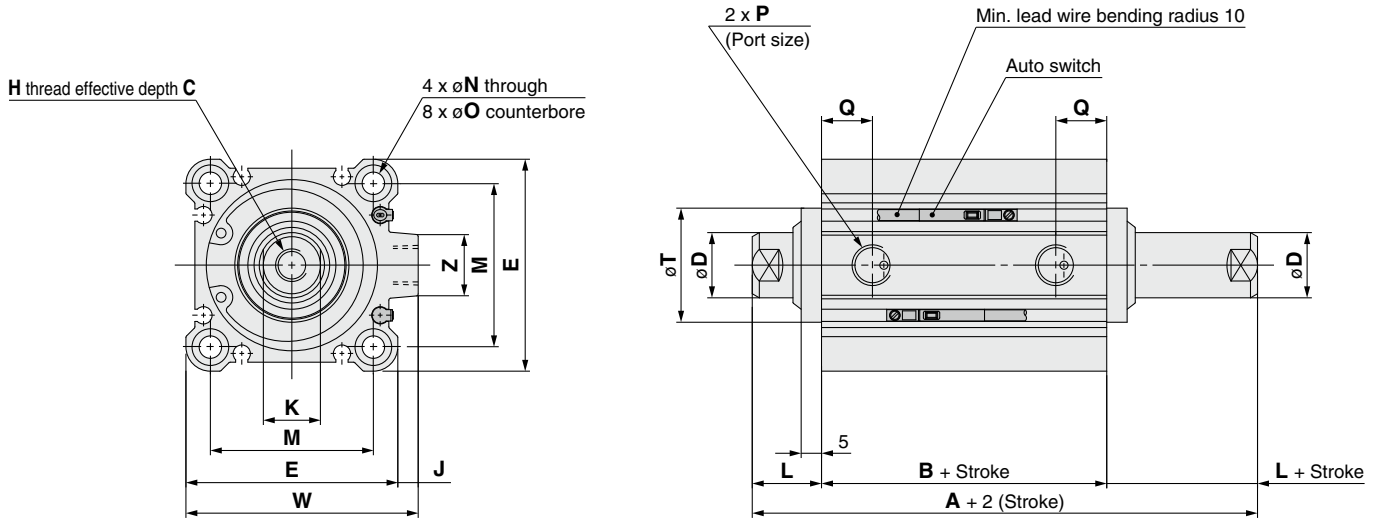
Standard	Double Acting, Double Rod	CQ2W	Double Acting, Single Rod	CQ2
Large Bore Size	Double Acting, Double Rod	CQ2W	Double Acting, Single Rod	CQ2
Anti-lateral Load	Double Acting, Single Rod	CQ2□S	Double Acting, Single Rod	CQ2□S
Long Stroke	Double Acting, Single Rod	CQ2	Double Acting, Single Rod	CQ2
Non-rotating Rod	Double Acting, Double Rod	CQ2KW	Double Acting, Single Rod	CQ2KW
Water Resistant	Double Acting, Double Rod	CQ2W-R/V	Double Acting, Single Rod	CQ2-R/V
Axial Piping	Single Acting, Spring Return, Energy	CQP2	Double Acting, Single Rod	CQP2
With End Lock	Double Acting, Single Rod	CBQ2	Double Acting, Single Rod	CBQ2
Auto Switch				
Made to Order				

CQ2W-R/V Series

Bore Size

∅40 to ∅100 With/Without Auto Switch Magnet

Through-hole: C□Q2WB-R/V

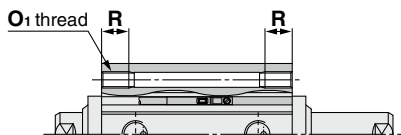


Bore size [mm]	Stroke range [mm]	Without auto switch magnet		With auto switch magnet		C	D	E	H	J	K	L	M	N	O	P	Q	T	W	Z
		A	B	A	B															
40	5 to 50	74	40	84	50	13	16	52	M8 x 1.25	5	14	17	40	5.5	9 depth 7	1/8	12.5	28	57	15
	75,100	84	50																	
50	10 to 50	76.5	40.5	86.5	50.5	15	20	64	M10 x 1.5	7	17	18	50	6.6	11 depth 8	1/4	14	35	71	19
	75,100	86.5	50.5																	
63	10 to 50	78	42	88	52	15	20	77	M10 x 1.5	7	17	18	60	9	14 depth 10.5	1/4	15.5	35	84	19
	75,100	88	52																	
80	10 to 50	91	51	101	61	21	25	98	M16 x 2.0	6	22	20	77	11	17.5 depth 13.5	3/8	18	43	104	25
	75,100	101	61																	
100	10 to 50	104.5	60.5	114.5	70.5	27	30	117	M20 x 2.5	6.5	27	22	94	11	17.5 depth 13.5	3/8	22	59	123.5	25
	75,100	114.5	70.5																	

* For details on the rod end nut and accessory brackets ⇨ p. 34 to 36

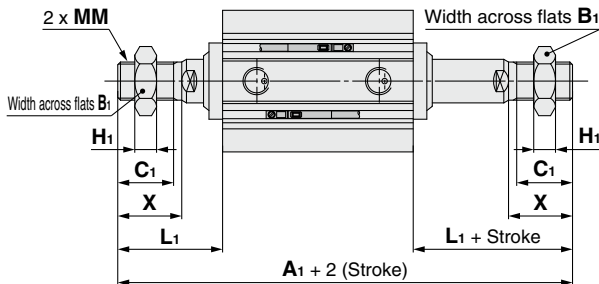
* For the auto switch proper mounting position and mounting height ⇨ p. 149 to 156

Both ends tapped



Bore size [mm]	O ₁	R
40	M6 x 1.0	10
50	M8 x 1.25	14
63	M10 x 1.5	18
80	M12 x 1.75	22
100	M12 x 1.75	22

Rod end male thread



Bore size [mm]	Stroke range [mm]	Without auto switch magnet		With auto switch magnet	
		A ₁	A ₁	A ₁	A ₁
40	5 to 50	117		127	
	75,100	127			
50	10 to 50	127.5		137.5	
	75,100	137.5			
63	10 to 50	129		139	
	75,100	139			
80	10 to 50	158		168	
	75,100	168			
100	10 to 50	167.5		177.5	
	75,100	177.5			

Bore size [mm]	B ₁	C ₁	H ₁	L ₁	MM	X
40	22	20.5	8	38.5	M14 x 1.5	23.5
50	27	26	11	43.5	M18 x 1.5	28.5
63	27	26	11	43.5	M18 x 1.5	28.5
80	32	32.5	13	53.5	M22 x 1.5	35.5
100	41	32.5	16	53.5	M26 x 1.5	35.5

Dimensions of Each Mounting Bracket

The dimensions of each mounting bracket are the same as those of the standard type, double acting, double rod (except the configuration of the piston rod). Refer to pages 48 to 50.

Made to Order	Auto Switch
With End Lock Double Acting, Single Rod CBQ2	Axial Piping Single Acting, Spring Return-Extend CQP2 Double Acting, Single Rod CQP2
Water Resistant Double Acting, Double Rod CQ2W-R/W	Non-rotating Rod Double Acting, Double Rod CQ2KW Double Acting, Single Rod CQ2K
Long Stroke Double Acting, Single Rod CQ2	Anti-lateral Load Double Acting, Single Rod CQ2□S
Large Bore Size Double Acting, Double Rod CQ2W	Standard Double Acting, Double Rod CQ2W Single Acting, Spring Return-Extend CQ2
	Double Acting, Single Rod CQ2

Compact Cylinder: Axial Piping Double Acting, Single Rod

CQP2 Series

ø12, ø16, ø20, ø25, ø32, ø40, ø50, ø63, ø80, ø100

How to Order

Without auto switch

CQP2B [] [] 50 [] - 30 D [] - []

With auto switch

CDQP2B [] [] 50 [] - 30 D [] - M9BW [] - []

1 2 3 4 5 6 7 8 9 10

• Axial piping

With auto switch magnet

The overall length of the cylinder with an auto switch magnet is longer than that of the cylinder without an auto switch magnet by the length of the built-in magnet. For details, refer to the dimensions of each size.

1 Mounting

B	Through-hole
----------	--------------

* A through-hole type mounting bolt is available as an option. For details ⇨ p. 127

2 Type

Nil	Pneumatic
H	Air-hydro*1

*1 The bore sizes available for the air-hydro type are ø20 to ø100.

3 Bore size

12	12 mm
16	16 mm
20	20 mm
25	25 mm
32	32 mm
40	40 mm
50	50 mm
63	63 mm
80	80 mm
100	100 mm

4 Port thread type

Nil	M thread	ø12 to ø25
	Rc	
TN	NPT	ø32 to ø100
TF	G	

5 Cylinder stroke (For details on the minimum stroke for auto switch mounting ⇨ p. 157)

Bore size	Standard stroke [mm]
12, 16	5, 10, 15, 20, 25, 30
20, 25	5, 10, 15, 20, 25, 30, 35, 40, 45, 50
32, 40	5, 10, 15, 20, 25, 30, 35, 40, 45, 50, 75, 100
50, 63, 80, 100	10, 15, 20, 25, 30, 35, 40, 45, 50, 75, 100

* For the manufacturing of intermediate strokes ⇨ p. 125
* The bore sizes available for the air-hydro type are ø20 to ø100.

6 Action

D	Double acting
----------	---------------

7 Body option

Nil	Rod end female thread
C	With rubber bumper*1
M	Rod end male thread

*1 The type with a rubber bumper is not selectable for the air-hydro type.
* Combined body options "CM" can be selected.

8 Auto switch

Nil	Without auto switch
------------	---------------------

* For applicable auto switches ⇨ p. 124

9 Number of auto switches

Nil	2
S	1
n	n

10 Made to order common specifications

For details ⇨ p. 125



Cylinder Model with Auto Switch Magnet

If a cylinder with an auto switch magnet and without an auto switch is required, there is no need to enter the symbol for the auto switch.
(Example) CDQP2B32-30D

For details on auto switch mounting ⇨ p. 149 to 165

- Auto Switch Proper Mounting Position (Detection at stroke end) and Mounting Height
- Minimum Stroke for Auto Switch Mounting
- Operating Range
- Auto Switch Mounting Brackets/Part Nos.

Applicable Auto Switches / Refer to the Web Catalog for further information on auto switches.

Type	Special function	Electrical entry	Indicator light	Wiring (Output)	Load voltage		Auto switch model		Lead wire length [m]					Pre-wired connector	Applicable load				
					DC	AC	Perpendicular	In-line	0.5 (Nil)	1 (M)	3 (L)	5 (Z)	None (N)		IC circuit	Relay, PLC			
Solid state auto switch	—	Grommet	No	3-wire (NPN)	24 V	5 V, 12 V	—	M9NV	M9N	●	●	●	○	—	○	IC circuit	Relay, PLC		
				3-wire (PNP)				M9PV	M9P	●	●	●	○	—	○				
		2-wire		M9BV				M9B	●	●	●	○	—	○	—				
		J79C		—				●	—	●	●	—	—						
	Diagnostic indication (2-color indicator)	Connector	Yes	3-wire (NPN)	24 V	5 V, 12 V	—	M9NVV	M9NW	●	●	●	○	—	○	IC circuit	Relay, PLC		
				3-wire (PNP)				M9PWW	M9PW	●	●	●	○	—	○				
	2-wire	M9BWW		M9BW				●	●	●	○	—	○	—					
	3-wire (NPN)	M9NAV*1		M9NA*1				○	○	●	○	—	○						
	Water resistant (2-color indicator)	Grommet	Yes	3-wire (PNP)	24 V	5 V, 12 V	—	M9PAV*1	M9PA*1	○	○	●	○	—	○	IC circuit	Relay, PLC		
				2-wire				M9BAV*1	M9BA*1	○	○	●	○	—	○				
4-wire	—	F79F		●				—	●	○	—	○	IC circuit						
2-wire (Non-polar)	—	P4DW		—				—	●	●	—	○							
Reed auto switch	—	Grommet	Yes	3-wire (NPN equivalent)	24 V	5 V, 12 V	24 V or less	A96V	A96	●	●	●	●	—	○	IC circuit	Relay, PLC		
				—				A72	A72H	●	—	●	—	—	—				
		Connector		12 V				100 V	A93V	A93	●	●	●	●	—	○*2		—	
				5 V, 12 V				100 V or less	A90V	A90	●	●	●	●	—	○*2			
		Grommet		12 V				—	A73C	—	●	—	●	●	●	—		—	—
				5 V, 12 V				24 V or less	A80C	—	●	—	●	●	●	—		—	
Diagnostic indication (2-color indicator)	—	—	A79W	—	●	—	●	—	—	—	—								

*1 Water-resistant type auto switches can be mounted on the models on page 123, but SMC cannot guarantee water resistance.

Please contact SMC regarding water-resistant types with the model numbers on page 123.

*2 The load voltage used is 24 VDC.

- * Lead wire length symbols: 0.5 m Nil (Example) M9NW
1 m M (Example) M9NWM
3 m L (Example) M9NWL
5 m Z (Example) M9NWZ
None N (Example) J79CN

* Auto switches marked with a "○" are produced upon receipt of order.

* The D-P4DW type is only available in sizes ø40 to ø100.

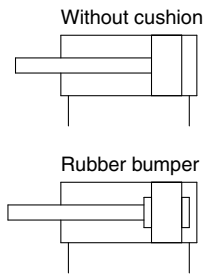
* Only for the D-P4DW type, an auto switch is assembled and shipped with the cylinder.

* There are applicable auto switches other than those listed above. For details ⇨ p. 165

Standard
Double Acting, Double Rod
CQ2W
Single Acting, Spring Return, End
CQ2
Large Bore Size
Double Acting, Double Rod
CQ2W
Double Acting, Single Rod
CQ2
Anti-lateral Load
Double Acting, Single Rod
CQ2S
Long Stroke
Double Acting, Single Rod
CQ2
Non-rotating Rod
Double Acting, Double Rod
CQ2KW
Water Resistant
Double Acting, Single Rod
CQ2-RV
Double Acting, Double Rod
CQ2W-RV
Axial Piping
Single Acting, Spring Return, End
CQP2
Double Acting, Single Rod
CQP2
With End Lock
Double Acting, Single Rod
CBQ2
Auto Switch
Made to Order

CQP2 Series

Symbol



Made to Order Common Specifications (For details ⇨ p. 167 to 196)

Symbol	Specifications
-XA□	Change of rod end shape
-XB6	Heat-resistant cylinder (-10 to 150°C) w/o auto switch only*1
-XB7	Cold-resistant cylinder (-40 to 70°C) w/o auto switch only
-XB9	Low-speed cylinder (10 to 50 mm/s)
-XB13	Low-speed cylinder (5 to 50 mm/s)
-XC4	With heavy duty scraper, ø32 to ø100 only
-XC6	Piston rod/Retaining ring/Rod end nut material: Stainless steel
-XC35	With coil scraper
-XC36	With boss on rod end
-XC85	Grease for food processing equipment
-X271	Fluororubber seals*1

*1 Excludes the air-hydro type

* Stainless steel accessories are also available.
For details ⇨ p. 34

Specifications

Pneumatic type

Bore size [mm]	12	16	20	25	32	40	50	63	80	100	
Action	Double acting, Single rod										
Fluid	Air										
Proof pressure	1.5 MPa										
Maximum operating pressure	1.0 MPa										
Minimum operating pressure	0.07 MPa		0.05 MPa								
Ambient and fluid temperatures	Without auto switch magnet: -10 to 70°C With auto switch magnet: -10 to 60°C (No freezing)										
Lubrication	Not required (Non-lube)										
Piston speed	50 to 500 mm/s										
Cushion	Without cushion or With rubber bumper										
Allowable kinetic energy [J]	Without cushion	0.022	0.038	0.055	0.09	0.15	0.26	0.46	0.77	1.36	2.27
	With rubber bumper	0.043	0.075	0.11	0.18	0.29	0.52	0.91	1.54	2.71	4.54
Stroke length tolerance	+1.0 mm ⁻¹ 0										

*1 Stroke length tolerance does not include the amount of bumper change.

Air-hydro type

Bore size [mm]	20	25	32	40	50	63	80	100
Action	Double acting, Single rod							
Fluid	Turbine oil*1							
Proof pressure	1.5 MPa							
Maximum operating pressure	1.0 MPa							
Minimum operating pressure	0.18 MPa				0.1 MPa			
Ambient and fluid temperatures	5 to 60°C							
Piston speed	5 to 50 mm/s							
Cushion	None							
Stroke length tolerance	+1.0 mm 0							

*1 Actuator Precautions 5 ⇨ Refer to the **Web Catalog**.

Manufacturing of Intermediate Strokes

Type	A spacer is installed in the standard stroke body.	
Part no.	Refer to "How to Order" for the standard model number. (⇨ p. 123)	
Description	Strokes in 1 mm increments are available by installing a spacer in the standard stroke cylinder.	
Stroke range	Bore size	Stroke range
	12, 16	1 to 29
	20, 25	1 to 49
	32 to 100	1 to 99
Example	Part no.: CQP2B50-57D CQP2B50-75D with 18 mm width spacer inside The B dimension is 115.5 mm.	

- Excludes the air-hydro type
- In the case of spacer type, intermediate strokes with bumper for ø40 to ø100, it can be manufactured in 5 mm increments in 5 mm and 55 to 95 mm.

Moisture Control Tube IDK Series



When operating an actuator with a small bore size and a short stroke at a high frequency, dew condensation (water droplets) may occur inside the piping depending on the conditions.

Simply connecting the moisture control tube to the actuator will prevent dew condensation from occurring. For details, refer to the **Web Catalog**.

⚠ Precautions

Refer to pages 197 and 199 before handling the products.

Weight

Without Auto Switch Magnet

[g]

Bore size [mm]	Cylinder stroke [mm]											
	5	10	15	20	25	30	35	40	45	50	75	100
12	32	39	46	53	60	67	—	—	—	—	—	—
16	54	63	72	81	90	98	—	—	—	—	—	—
20	70	84	98	112	126	140	154	168	182	196	—	—
25	102	117	132	147	161	176	191	206	220	235	—	—
32	149	173	199	222	246	270	295	319	343	367	487	607
40	224	258	280	310	336	362	388	414	440	467	602	737
50	—	414	455	496	538	579	620	662	703	744	949	1154
63	—	584	632	679	727	774	822	870	917	965	1205	1445
80	—	1085	1163	1242	1320	1399	1477	1556	1634	1713	2108	2503
100	—	1894	1992	2091	2189	2287	2385	2483	2581	2679	3169	3659

With Auto Switch Magnet

[g]

Bore size [mm]	Cylinder stroke [mm]											
	5	10	15	20	25	30	35	40	45	50	75	100
12	54	62	69	75	82	89	—	—	—	—	—	—
16	91	99	107	115	123	131	—	—	—	—	—	—
20	121	135	147	161	175	188	201	214	228	242	—	—
25	177	190	203	217	230	244	257	270	284	297	—	—
32	217	242	266	290	315	339	363	387	412	436	557	679
40	319	345	371	397	423	449	475	502	528	554	684	814
50	—	546	588	629	670	712	753	794	836	877	1084	1291
63	—	764	812	859	907	955	1002	1050	1098	1145	1384	1622
80	—	1377	1455	1534	1612	1691	1769	1848	1926	2005	2397	2790
100	—	2296	2394	2492	2590	2688	2786	2884	2982	3080	3570	4060

Theoretical Output



[N]

Bore size [mm]	Operating direction	Operating pressure [MPa]		
		0.3	0.5	0.7
12	IN	25	42	59
	OUT	34	57	79
16	IN	45	75	106
	OUT	60	101	141
20	IN	71	118	165
	OUT	94	157	220
25	IN	113	189	264
	OUT	147	245	344
32	IN	181	302	422
	OUT	241	402	563
40	IN	317	528	739
	OUT	377	628	880
50	IN	495	825	1150
	OUT	589	982	1370
63	IN	841	1400	1960
	OUT	935	1560	2180
80	IN	1360	2270	3170
	OUT	1510	2510	3520
100	IN	2140	3570	5000
	OUT	2360	3930	5500

Additional Weight

[g]

Bore size [mm]		12	16	20	25	32	40	50	63	80	100
Rod end male thread	Male thread	1.5	3	6	12	26	27	53	53	120	175
	Nut	1	2	4	8	17	17	32	32	49	116
With rubber bumper		0	-1	-2	-3	-3	-7	-9	-18	-31	-56

Calculation: (Example) **CDQP2B32-20DCM**

- Basic weight: CDQP2B32-20D 290 g
- Additional weight: Rod end male thread 43 g
- With rubber bumper -3 g

Add each weight of auto switches and mounting brackets when auto switches are mounted.

330 g

Auto Switch Mounting Bracket Weight

Mounting bracket part no.	Applicable bore size	Weight [g]
BQ-1	ø12 to ø25	1.5
BQ-2	ø32 to ø100	1.5
BQ2-012	ø12 to ø100	5

Standard Double Acting, Single Rod **CQ2**

Standard Double Acting, Double Rod **CQ2W**

Single Acting, Spring Return, End **CQ2**

Single Acting, Spring Return, End **CQ2S**

Large Bore Size Double Acting, Single Rod **CQ2**

Large Bore Size Double Acting, Double Rod **CQ2W**

Anti-lateral Load Double Acting, Single Rod **CQ2S**

Anti-lateral Load Double Acting, Double Rod **CQ2S**

Long Stroke Double Acting, Single Rod **CQ2**

Long Stroke Double Acting, Double Rod **CQ2**

Non-rotating Rod Double Acting, Single Rod **CQ2K**

Non-rotating Rod Double Acting, Double Rod **CQ2KW**

Water Resistant Double Acting, Single Rod **CQ2-R/V**

Water Resistant Double Acting, Double Rod **CQ2W-R/V**

Axial Piping Double Acting, Single Rod **CQP2**

Axial Piping Single Acting, Spring Return, End **CQP2**

With End Lock Double Acting, Single Rod **CBQ2**

Auto Switch

Made to Order

CQP2 Series

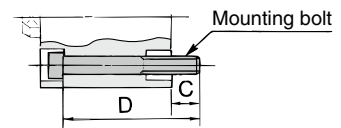
Through-hole Type Mounting Bolt for the CQP2: Without Auto Switch Magnet

Mounting bolt for the through-hole mounting of the CQP2B is available as an option.

Refer to the following for ordering procedures.
Order the actual number of bolts that will be used.

Example) CQ-M3 x 25L 2 pcs.

Type: Hexagon socket head cap screw
Material: Chromium molybdenum steel
Surface treatment: Zinc chromated



Cylinder model	C	D	Mounting bolt part no.
CQP2B12-5D	6.5	25	CQ-M3 x 25L
-10D		30	x 30L
-15D		35	x 35L
-20D		40	x 40L
-25D		45	x 45L
-30D		50	x 50L
CQP2B16-5D	5	25	CQ-M3 x 25L
-10D		30	x 30L
-15D		35	x 35L
-20D		40	x 40L
-25D		45	x 45L
-30D		50	x 50L
CQP2B20-5D	7.5	25	CQ-M5 x 25L
-10D		30	x 30L
-15D		35	x 35L
-20D		40	x 40L
-25D		45	x 45L
-30D		50	x 50L
-35D		55	x 55L
-40D		60	x 60L
-45D		65	x 65L
-50D		70	x 70L
CQP2B25-5D	9.5	30	CQ-M5 x 30L
-10D		35	x 35L
-15D		40	x 40L
-20D		45	x 45L
-25D		50	x 50L
-30D		55	x 55L
-35D		60	x 60L
-40D		65	x 65L
-45D		70	x 70L
-50D		75	x 75L

Cylinder model	C	D	Mounting bolt part no.
CQP2B32-5D	9	30	CQ-M5 x 30L
-10D		35	x 35L
-15D		40	x 40L
-20D		45	x 45L
-25D		50	x 50L
-30D		55	x 55L
-35D		60	x 60L
-40D		65	x 65L
-45D		70	x 70L
-50D		75	x 75L
CQP2B40-5D	7.5	35	CQ-M5 x 35L
-10D		40	x 40L
-15D		45	x 45L
-20D		50	x 50L
-25D		55	x 55L
-30D		60	x 60L
-35D		65	x 65L
-40D		70	x 70L
-45D		75	x 75L
-50D		80	x 80L
CQP2B50-10D	12.5	45	CQ-M6 x 45L
-15D		50	x 50L
-20D		55	x 55L
-25D		60	x 60L
-30D		65	x 65L
-35D		70	x 70L
-40D		75	x 75L
-45D		80	x 80L
-50D		85	x 85L
-75D		120	x 120L
-100D	145	x 145L	

Cylinder model	C	D	Mounting bolt part no.
CQP2B63-10D	14.5	50	CQ-M8 x 50L
-15D		55	x 55L
-20D		60	x 60L
-25D		65	x 65L
-30D		70	x 70L
-35D		75	x 75L
-40D		80	x 80L
-45D		85	x 85L
-50D		90	x 90L
-75D		125	x 125L
CQP2B80-10D	15	55	CQ-M10 x 55L
-15D		60	x 60L
-20D		65	x 65L
-25D		70	x 70L
-30D		75	x 75L
-35D		80	x 80L
-40D		85	x 85L
-45D		90	x 90L
-50D		95	x 95L
-75D		130	x 130L
CQP2B100-10D	15.5	65	CQ-M10 x 65L
-15D		70	x 70L
-20D		75	x 75L
-25D		80	x 80L
-30D		85	x 85L
-35D		90	x 90L
-40D		95	x 95L
-45D		100	x 100L
-50D		105	x 105L
-75D		140	x 140L
-100D	165	x 165L	

Through-hole Type Mounting Bolt for the CDQP2: With Auto Switch Magnet

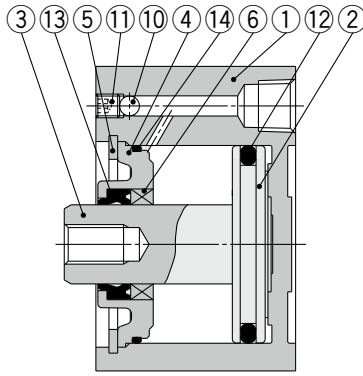
Cylinder model	C	D	Mounting bolt part no.
CDQP2B12-5D	5.5	35	CQ-M3 x 35L
-10D		40	x 40L
-15D		45	x 45L
-20D		50	x 50L
-25D		55	x 55L
-30D		60	x 60L
CDQP2B16-5D	8	40	CQ-M3 x 40L
-10D		45	x 45L
-15D		50	x 50L
-20D		55	x 55L
-25D		60	x 60L
-30D		65	x 65L
CDQP2B20-5D	10.5	40	CQ-M5 x 40L
-10D		45	x 45L
-15D		50	x 50L
-20D		55	x 55L
-25D		60	x 60L
-30D		65	x 65L
-35D		70	x 70L
-40D		75	x 75L
-45D		80	x 80L
-50D		85	x 85L
CDQP2B25-5D	9.5	40	CQ-M5 x 40L
-10D		45	x 45L
-15D		50	x 50L
-20D		55	x 55L
-25D		60	x 60L
-30D		65	x 65L
-35D		70	x 70L
-40D		75	x 75L
-45D		80	x 80L
-50D		85	x 85L

Cylinder model	C	D	Mounting bolt part no.
CDQP2B32-5D	9	40	CQ-M5 x 40L
-10D		45	x 45L
-15D		50	x 50L
-20D		55	x 55L
-25D		60	x 60L
-30D		65	x 65L
-35D		70	x 70L
-40D		75	x 75L
-45D		80	x 80L
-50D		85	x 85L
CDQP2B40-5D	7.5	45	CQ-M5 x 45L
-10D		50	x 50L
-15D		55	x 55L
-20D		60	x 60L
-25D		65	x 65L
-30D		70	x 70L
-35D		75	x 75L
-40D		80	x 80L
-45D		85	x 85L
-50D		90	x 90L
CDQP2B50-10D	12.5	55	CQ-M6 x 55L
-15D		60	x 60L
-20D		65	x 65L
-25D		70	x 70L
-30D		75	x 75L
-35D		80	x 80L
-40D		85	x 85L
-45D		90	x 90L
-50D		95	x 95L
-75D		120	x 120L
-100D	145	x 145L	

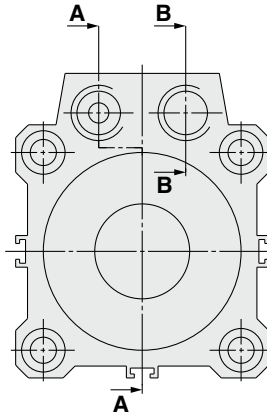
Cylinder model	C	D	Mounting bolt part no.
CDQP2B63-10D	14.5	60	CQ-M8 x 60L
-15D		65	x 65L
-20D		70	x 70L
-25D		75	x 75L
-30D		80	x 80L
-35D		85	x 85L
-40D		90	x 90L
-45D		95	x 95L
-50D		100	x 100L
-75D		125	x 125L
CDQP2B80-10D	15	65	CQ-M10 x 65L
-15D		70	x 70L
-20D		75	x 75L
-25D		80	x 80L
-30D		85	x 85L
-35D		90	x 90L
-40D		95	x 95L
-45D		100	x 100L
-50D		105	x 105L
-75D		130	x 130L
CDQP2B100-10D	15.5	75	CQ-M10 x 75L
-15D		80	x 80L
-20D		85	x 85L
-25D		90	x 90L
-30D		95	x 95L
-35D		100	x 100L
-40D		105	x 105L
-45D		110	x 110L
-50D		115	x 115L
-75D		140	x 140L
-100D	165	x 165L	

Construction

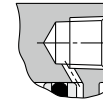
Without auto switch magnet



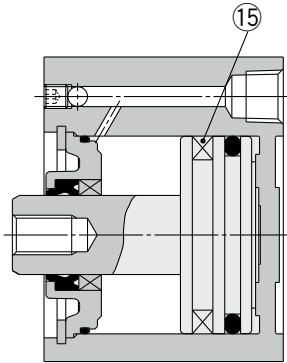
A-A section (Port on rod end)



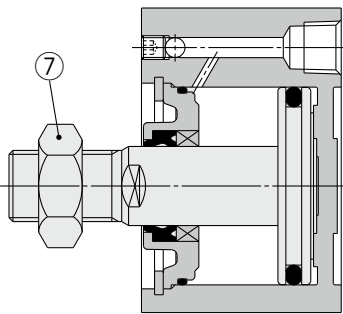
B-B section
(Port on head end)



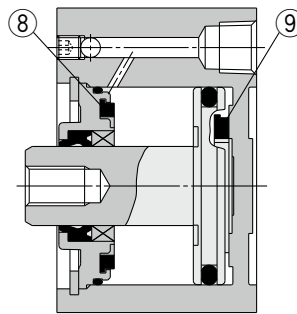
With auto switch magnet



Rod end male thread



With rubber bumper



Component Parts

No.	Description	Material	Note
1	Cylinder tube	Aluminum alloy	Hard anodized
2	Piston	Aluminum alloy	
3	Piston rod	Stainless steel	ø12 to ø25
		Carbon steel	ø32 to ø100, Hard chrome plating
4	Collar	Aluminum alloy	ø12 to ø40, Anodized
		Aluminum alloy casted	ø50 to ø100, Chromated, Painted
5	Retaining ring	Carbon tool steel	Phosphate coated
6	Bushing	Bearing alloy	ø50 to ø100
7	Rod end nut	Carbon steel	Zinc chromated
8	Bumper A	Urethane	
9	Bumper B	Urethane	
10	Steel ball	Carbon steel	
11	Hexagon socket head set screw	Alloy steel	Zinc chromated
12	Piston seal	NBR	
13	Rod seal	NBR	
14	Gasket	NBR	
15	Magnet	—	

Replacement Parts/Seal Kit

Bore size [mm]	Kit no.		Contents
	Pneumatic type (Non-lube)	Air-hydro type	
12	CQ2B12-PS	—	Set of nos. 12, 13, 14
16	CQ2B16-PS	—	
20	CQ2B20-PS	CQ2BH20-PS	
25	CQ2B25-PS	CQ2BH25-PS	
32	CQ2B32-PS	CQ2BH32-PS	
40	CQ2B40-PS	CQ2BH40-PS	
50	CQ2B50-PS	CQ2BH50-PS	
63	CQ2B63-PS	CQ2BH63-PS	
80	CQ2B80-PS	CQ2BH80-PS	
100	CQ2B100-PS	CQ2BH100-PS	

* Seal kit includes 12, 13, 14. Order the seal kit based on each bore size.
* The seal kit does not include a grease pack. Order it separately.
Grease pack part no.: GR-S-010 (10 g)

Standard	Double Acting, Single Rod	CQ2
Standard	Double Acting, Double Rod	CQ2W
Standard	Single Acting, Spring Return, Single Rod	CQ2
Large Bore Size	Double Acting, Single Rod	CQ2
Large Bore Size	Double Acting, Double Rod	CQ2W
Anti-lateral Load	Double Acting, Single Rod	CQ2□S
Long Stroke	Double Acting, Single Rod	CQ2
Long Stroke	Double Acting, Double Rod	CQ2W
Non-rotating Rod	Double Acting, Single Rod	CQ2K
Non-rotating Rod	Double Acting, Double Rod	CQ2KW
Water Resistant	Double Acting, Single Rod	CQ2-R/V
Water Resistant	Double Acting, Double Rod	CQ2W-R/V
Axial Piping	Double Acting, Single Rod	CQP2
Axial Piping	Single Acting, Spring Return, Single Rod	CQP2
With End Lock	Double Acting, Single Rod	CBQ2
With End Lock	Double Acting, Double Rod	CBQ2W
Auto Switch		
Made to Order		

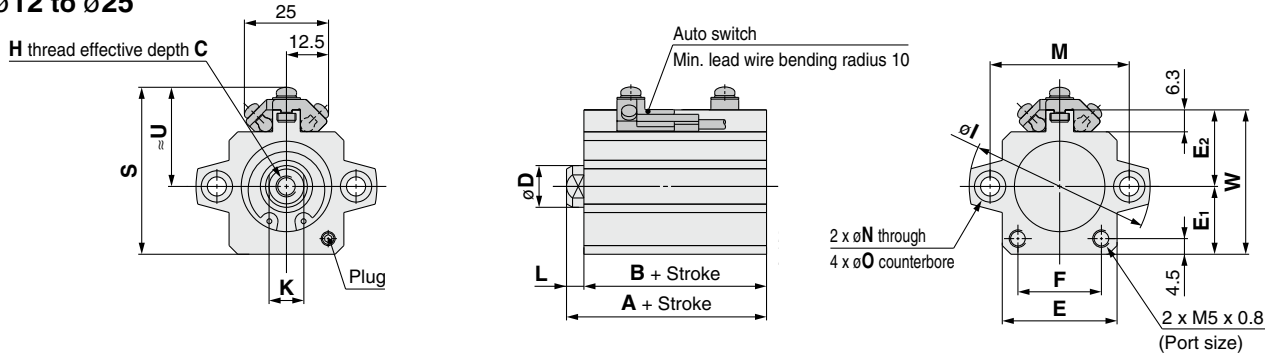
CQP2 Series

Bore Size

Ø12 to Ø100 With/Without Auto Switch Magnet

Through-hole: C□QP2B

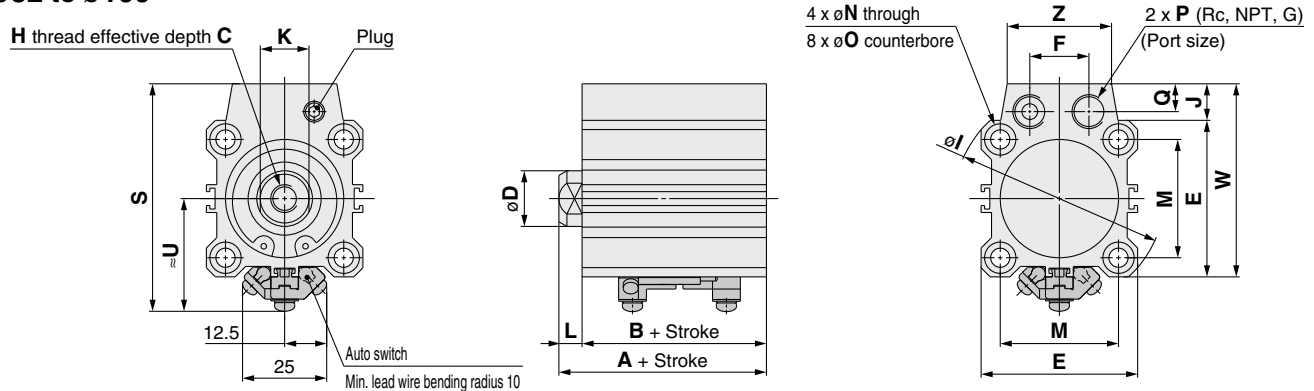
Ø12 to Ø25



Bore size [mm]	Stroke range [mm]	Without auto switch magnet		With auto switch magnet				C	D	E	E ₁	E ₂	F	H	I	K	L	M	N	O	W
		A	B	A	B	S	U														
12	5 to 30	20.5	17	31.5	28	33.5	20.5	6	6	23	13	14	14	M3 x 0.5	32	5	3.5	22	3.5	6.5 depth 3.5	27
16	5 to 30	22	18.5	34	30.5	38.5	23.5	8	8	26	15	17	17	M4 x 0.7	38	6	3.5	28	3.5	6.5 depth 3.5	32
20	5 to 50	24	19.5	36	31.5	42.5	25.5	7	10	30	17	19	21	M5 x 0.8	47	8	4.5	36	5.5	9 depth 7	36
25	5 to 50	27.5	22.5	37.5	32.5	48	28.5	12	12	33	19.5	22	24	M6 x 1.0	52	10	5	40	5.5	9 depth 7	41.5

- * For details on the rod end nut and accessory brackets ⇨ p. 34 to 36
- * The external dimensions with rubber bumper are same as those of the standard, as shown above.
- * For the auto switch proper mounting position and mounting height ⇨ p. 149 to 156

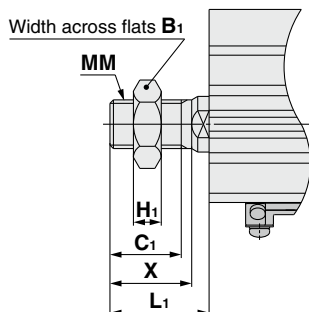
Ø32 to Ø100



Bore size [mm]	Stroke range [mm]	Without auto switch magnet		With auto switch magnet				C	D	E	F	H	I	J	K	L	M	N	O	P	Q	W	Z
		A	B	A	B	S	U																
32	5 to 50	30	23	40	33	65.5	32.5	13	16	45	17	M8 x 1.25	60	10.5	14	7	34	5.5	9 depth 7	1/8	8	55.5	30
	75, 100	40	33																				
40	5 to 50	36.5	29.5	46.5	39.5	72	36	13	16	52	17	M8 x 1.25	69	10	14	7	40	5.5	9 depth 7	1/8	8	62	30
	75, 100	46.5	39.5																				
50	10 to 50	38.5	30.5	48.5	40.5	87	42	15	20	64	22	M10 x 1.5	86	13	17	8	50	6.6	11 depth 8	1/4	10	77	39
	75, 100	48.5	40.5																				
63	10 to 50	44	36	54	46	100	48.5	15	20	77	22	M10 x 1.5	103	13	17	8	60	9	14 depth 10.5	1/4	10	90	39
	75, 100	54	46																				
80	10 to 50	53.5	43.5	63.5	53.5	123.5	58.5	21	25	98	26	M16 x 2.0	132	16	22	10	77	11	17.5 depth 13.5	3/8	12.5	114	48
	75, 100	63.5	53.5																				
100	10 to 50	65	53	75	63	144.5	68.5	27	30	117	26	M20 x 2.5	156	17.5	27	12	94	11	17.5 depth 13.5	3/8	12.5	134.5	48
	75, 100	75	63																				

- * For details on the rod end nut and accessory brackets ⇨ p. 34 to 36
- * The external dimensions with rubber bumper are same as those of the standard, as shown above.
- * For the auto switch proper mounting position and mounting height ⇨ p. 149 to 156

Rod end male thread



Bore size [mm]	B ₁	C ₁	H ₁	L ₁	MM	X
12	8	9	4	14	M5 x 0.8	10.5
16	10	10	5	15.5	M6 x 1.0	12
20	13	12	5	18.5	M8 x 1.25	14
25	17	15	6	22.5	M10 x 1.25	17.5
32	22	20.5	8	28.5	M14 x 1.5	23.5
40	22	20.5	8	28.5	M14 x 1.5	23.5
50	27	26	11	33.5	M18 x 1.5	28.5
63	27	26	11	33.5	M18 x 1.5	28.5
80	32	32.5	13	43.5	M22 x 1.5	35.5
100	41	32.5	16	43.5	M26 x 1.5	35.5

Compact Cylinder: Axial Piping Single Acting, Single Rod

CQP2 Series

∅12, ∅16, ∅20, ∅25, ∅32, ∅40, ∅50

How to Order

Without auto switch

CQP2B 50 - 10 T

With auto switch

CDQP2B 50 - 10 T - M9BW

With auto switch magnet
The overall length of the cylinder with an auto switch magnet is longer than that of the cylinder without an auto switch magnet by the length of the built-in magnet. For details, refer to the dimensions of each size.

1 Mounting

B	Through-hole
----------	--------------

* A through-hole type mounting bolt is available as an option. For details ⇨ p. 134

5 Action

S	Single acting, Spring return
T	Single acting, Spring extend

8 Number of auto switches

Nil	2
S	1
n	n

2 Bore size

12	12 mm	32	32 mm
16	16 mm	40	40 mm
20	20 mm	50	50 mm
25	25 mm		

6 Body option

Nil	Rod end female thread
M	Rod end male thread

3 Port thread type

Nil	M thread	∅12 to ∅25
	Rc	
TN	NPT	∅32 to ∅50
TF	G	

7 Auto switch

Nil	Without auto switch
------------	---------------------

* For applicable auto switches, refer to the table below.

4 Cylinder stroke

(For details on the minimum stroke for auto switch mounting ⇨ p. 157) [mm]

Bore size	Standard stroke
12, 16, 20, 25, 32, 40	5, 10
50	10, 20

* For the manufacturing of intermediate strokes ⇨ p. 131

9 Made to order common specifications

For details ⇨ p. 131

For details on **auto switch mounting** ⇨ p. 149 to 165

- Auto Switch Proper Mounting Position (Detection at stroke end) and Mounting Height
- Minimum Stroke for Auto Switch Mounting
- Operating Range
- Auto Switch Mounting Brackets/Part Nos.

Cylinder Model with Auto Switch Magnet

If a cylinder with an auto switch magnet and without an auto switch is required, there is no need to enter the symbol for the auto switch. (Example) CDQP2B32-10S

Applicable Auto Switches / Refer to the Web Catalog for further information on auto switches.

Type	Special function	Electrical entry	Indicator light	Wiring (Output)	Load voltage		Auto switch model		Lead wire length [m]					Pre-wired connector	Applicable load					
					DC	AC	Perpendicular	In-line	0.5 (Nil)	1 (M)	3 (L)	5 (Z)	None (N)		IC circuit	Relay, PLC				
Solid state auto switch	—	Grommet	Yes	3-wire (NPN)	24 V	5 V, 12 V	—	M9NV	M9N	●	●	●	○	—	○	IC circuit	Relay, PLC			
				3-wire (PNP)				M9PV	M9P	●	●	●	○	—	○					
		2-wire		M9BV				M9B	●	●	●	○	—	○	—					
				J79C				—	●	—	●	●	—	—						
	Diagnostic indication (2-color indicator)	Grommet	Yes	3-wire (NPN)	24 V	5 V, 12 V	—	M9NWV	M9NW	●	●	●	○	—	○	IC circuit	Relay, PLC			
				3-wire (PNP)				M9PWV	M9PW	●	●	●	○	—	○					
		2-wire		M9BVV				M9BV	●	●	●	○	—	○	—					
		3-wire (NPN)		M9NAV *1				M9NA *1	○	○	●	○	—	○		IC circuit				
				3-wire (PNP)				M9PAV *1	M9PA *1	○	○	●	○	—	○					
		2-wire		M9BAV *1				M9BA *1	○	○	●	○	—	○	—					
4-wire	—	F79F	●	—	●	○	—	○	IC circuit											
Reed auto switch	—	Grommet	Yes	3-wire (NPN equivalent)	24 V	5 V, 12 V	—	A96V	A96	●	●	●	○	—	○	IC circuit	Relay, PLC			
				—				A72	A72H	●	—	●	—	—	—					
		Connector		Yes				12 V	100 V	A93V	A93	●	●	●	●	—		○*2	—	
								5 V, 12 V	100 V or less	A90V	A90	●	●	●	●	—		○*2		
		Grommet		No				12 V	—	A73C	—	●	—	●	●	●		—	—	—
								5 V, 12 V	24 V or less	A80C	—	●	—	●	●	●		—	—	
		Connector		Yes				—	—	A79W	—	●	—	●	—	—		—	—	

*1 Water-resistant type auto switches can be mounted on the above models, but SMC cannot guarantee water resistance.

Please contact SMC regarding water-resistant types with the above model numbers.

*2 The load voltage used is 24 VDC.

* Lead wire length symbols: 0.5 m Nil (Example) M9NW
1 m M (Example) M9NWM
3 m L (Example) M9NWL
5 m Z (Example) M9NWZ
None N (Example) J79CN

* Auto switches marked with a "○" are produced upon receipt of order.

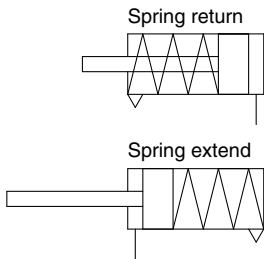
* There are applicable auto switches other than those listed above. For details ⇨ p. 165

Standard Double Acting, Single Rod CQ2
Double Acting, Double Rod CQ2W
Single Acting, Spring Return/Extend CQ2
Large Bore Size Double Acting, Single Rod CQ2
Double Acting, Double Rod CQ2W
Anti-lateral Load Double Acting, Single Rod CQ2S
Long Stroke Double Acting, Single Rod CQ2
Double Acting, Double Rod CQ2K
Non-rotating Rod Double Acting, Single Rod CQ2KW
Double Acting, Double Rod CQ2KW
Water Resistant Double Acting, Single Rod CQ2-RV
Double Acting, Double Rod CQ2W-RV
Axial Piping Double Acting, Single Rod CQP2
Single Acting, Spring Return/Extend CQP2
With End Lock Double Acting, Single Rod CBQ2
Auto Switch
Made to Order

CQP2 Series



Symbol



Made to Order Common Specifications (For details ⇨ p. 167 to 196)

Symbol	Specifications
-XA□	Change of rod end shape
-XC6	Piston rod/Retaining ring/Rod end nut material: Stainless steel
-XC36	With boss on rod end
-XC85	Grease for food processing equipment
-X271	Fluororubber seals

* Stainless steel accessories are also available.
For details ⇨ p. 34

Moisture Control Tube IDK Series



When operating an actuator with a small bore size and a short stroke at a high frequency, dew condensation (water droplets) may occur inside the piping depending on the conditions.

Simply connecting the moisture control tube to the actuator will prevent dew condensation from occurring. For details, refer to the **Web Catalog**.

⚠ Precautions

Refer to pages 197 and 199 before handling the products.

Specifications

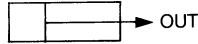
Bore size [mm]	12	16	20	25	32	40	50
Action	Double acting, Single rod						
Fluid	Air						
Proof pressure	1.5 MPa						
Maximum operating pressure	1.0 MPa						
Minimum operating pressure [MPa]	0.25	0.25	0.18	0.18	0.17	0.15	0.13
Ambient and fluid temperatures	Without auto switch magnet: -10 to 70°C (No freezing) With auto switch magnet: -10 to 60°C						
Lubrication	Not required (Non-lube)						
Piston speed	50 to 500 mm/s						
Cushion	None						
Allowable kinetic energy [J]	0.022	0.038	0.055	0.09	0.15	0.26	0.46
Stroke length tolerance	+1.0 mm 0						

Manufacturing of Intermediate Strokes (Except single acting, spring return)

Type	A spacer is installed in the standard stroke body.	
Part no.	Refer to "How to Order" for the standard model number. (⇨ p. 130)	
Description	Strokes in 1 mm increments are available by installing a spacer in the standard stroke cylinder.	
Stroke range	Bore size	Stroke range
	12 to 40	1 to 9
	50	1 to 19
Example	Part no.: CQP2B20-3T CQP2B20-5T with 2 mm width spacer inside The B dimension is 24.5 mm.	

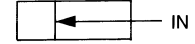
Theoretical Output

Single Acting, Spring Return



Bore size [mm]	Operating direction	Operating pressure [MPa]		
		0.3	0.5	0.7
12	OUT	21	44	66
16		45	86	126
20		79	142	205
25		126	224	323
32		211	372	533
40		338	589	841
50		535	928	1316

Single Acting, Spring Extend



Bore size [mm]	Operating direction	Operating pressure [MPa]		
		0.3	0.5	0.7
12	IN	14	31	48
16		24	54	85
20		44	91	138
25		84	160	235
32		152	273	393
40		288	499	710
50		412	742	1072

Spring Force

Single Acting, Spring Return

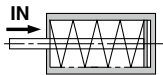
Bore size [mm]	Stroke [mm]	Spring reaction force [N]	
		Second	First
12	5	13	8.6
	10	13	3.9
16	5	15	10.3
	10	15	5.9
20	5	15	10
	10	15	5.9
25	5	20	16
	10	20	11
32	5	30	23
	10	30	16
40	5	30	13
	10	39	21
50	10	50	30
	20	54	24

Single Acting, Spring Extend

Bore size [mm]	Stroke [mm]	Spring reaction force [N]	
		Second	First
12	5	11	2.9
	10	9.7	2.8
16	5	20	3.9
	10	20	3.9
20	5	27	5.3
	10	27	5.9
25	5	29	9.8
	10	29	9.8
32	5	29	20
	10	29	20
40	5	29	20
	10	29	20
50	10	83	24
	20	83	24

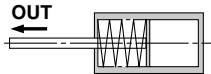
Single acting, Spring return

- First spring state



When spring is set in cylinder

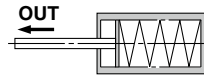
- Second spring state



When spring is compressed with air

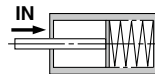
Single acting, Spring extend

- First spring state



When spring is set in cylinder

- Second spring state



When spring is compressed with air

Standard
Double Acting, Single Rod
CQ2

Standard
Double Acting, Double Rod
CQ2W

Single Acting, Spring Return
CQ2

Large Bore Size
Double Acting, Single Rod
CQ2

Large Bore Size
Double Acting, Double Rod
CQ2W

Anti-lateral Load
Double Acting, Single Rod
CQ2S

Long Stroke
Double Acting, Single Rod
CQ2

Non-rotating Rod
Double Acting, Single Rod
CQ2K

Water Resistant
Double Acting, Single Rod
CQ2-RV

Water Resistant
Double Acting, Double Rod
CQ2W-RV

Axial Piping
Double Acting, Single Rod
CQP2

Axial Piping, Spring Return
CQP2

With End Lock
Double Acting, Single Rod
CBQ2

Auto Switch

Made to Order

CQP2 Series

Weight

Without Auto Switch Magnet

Spring Return [g]

Bore size [mm]	Cylinder stroke [mm]		
	5	10	20
12	33	40	—
16	55	64	—
20	68	83	—
25	103	118	—
32	149	173	—
40	236	262	—
50	—	426	691

Spring Extend [g]

Bore size [mm]	Cylinder stroke [mm]		
	5	10	20
12	33	40	—
16	55	64	—
20	73	87	—
25	109	124	—
32	160	180	—
40	262	284	—
50	—	468	540

With Auto Switch Magnet

Spring Return [g]

Bore size [mm]	Cylinder stroke [mm]		
	5	10	20
12	55	63	—
16	92	100	—
20	121	135	—
25	178	191	—
32	217	242	—
40	323	349	—
50	—	558	641

Spring Extend [g]

Bore size [mm]	Cylinder stroke [mm]		
	5	10	20
12	61	69	—
16	92	100	—
20	126	140	—
25	184	197	—
32	228	253	—
40	349	375	—
50	—	600	683

Additional Weight [g]

Bore size [mm]		12	16	20	25	32	40	50
Rod end male thread	Male thread	1.5	3	6	12	26	27	53
	Nut	1	2	4	8	17	17	32

Calculation: (Example) **CDQP2B32-10SM**

- Basic weight: CDQP2B32-10S 242 g
- Additional weight: Rod end male thread 43 g

Add each weight of auto switches when auto switches are mounted.

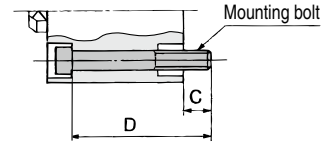
285 g

Through-hole Type Mounting Bolt for the CQP2: Without Auto Switch Magnet

Mounting bolt for the through-hole mounting of the CQP2B is available as an option.
Refer to the following for ordering procedures.
Order the actual number of bolts that will be used.

Example) CQ-M3 x 25L 2 pcs.

Type: Hexagon socket head cap screw
Material: Chromium molybdenum steel
Surface treatment: Zinc chromated



Spring Return

Cylinder model	C	D	Mounting bolt part no.
CQP2B12-5S	6.5	25	CQ-M3 x 25L
-10S		30	x 30L
CQP2B16-5S	5	25	CQ-M3 x 25L
-10S		30	x 30L
CQP2B20-5S	7.5	25	CQ-M5 x 25L
-10S		30	x 30L
CQP2B25-5S	9.5	30	CQ-M5 x 30L
-10S		35	x 35L
CQP2B32-5S	9	30	CQ-M5 x 30L
-10S		35	x 35L
CQP2B40-5S	7.5	35	CQ-M5 x 35L
-10S		40	x 40L
CQP2B50-10S	12.5	45	CQ-M6 x 45L
-20S		55	x 55L

Spring Extend

Cylinder model	C	D	Mounting bolt part no.
CQP2B12-5T	6.5	25	CQ-M3 x 25L
-10T		30	x 30L
CQP2B16-5T	5	25	CQ-M3 x 25L
-10T		30	x 30L
CQP2B20-5T	7.5	25	CQ-M5 x 25L
-10T		30	x 30L
CQP2B25-5T	9.5	30	CQ-M5 x 30L
-10T		35	x 35L
CQP2B32-5T	9	30	CQ-M5 x 30L
-10T		35	x 35L
CQP2B40-5T	7.5	35	CQ-M5 x 35L
-10T		40	x 40L
CQP2B50-10T	12.5	45	CQ-M6 x 45L
-20T		55	x 55L

Through-hole Type Mounting Bolt for the CDQP2: With Auto Switch Magnet

Spring Return

Cylinder model	C	D	Mounting bolt part no.
CDQP2B12-5S	5.5	35	CQ-M3 x 35L
-10S		40	x 40L
CDQP2B16-5S	8	40	CQ-M3 x 40L
-10S		45	x 45L
CDQP2B20-5S	10.5	40	CQ-M5 x 40L
-10S		45	x 45L
CDQP2B25-5S	9.5	40	CQ-M5 x 40L
-10S		45	x 45L
CDQP2B32-5S	9	40	CQ-M5 x 40L
-10S		45	x 45L
CDQP2B40-5S	7.5	45	CQ-M5 x 45L
-10S		50	x 50L
CDQP2B50-10S	12.5	55	CQ-M6 x 55L
-20S		65	x 65L

Spring Extend

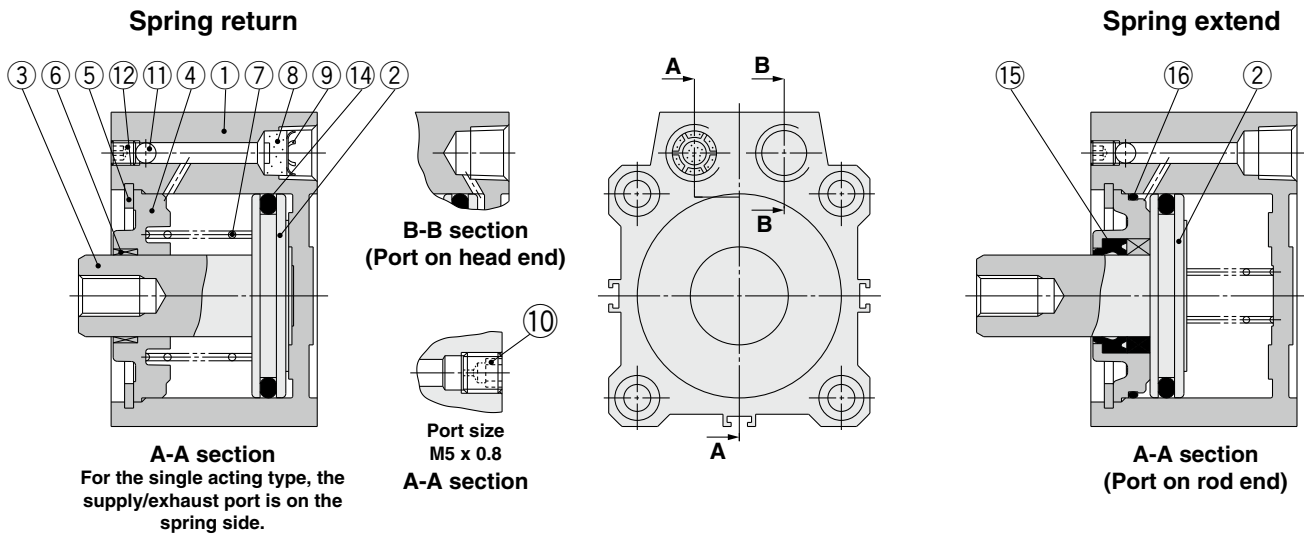
Cylinder model	C	D	Mounting bolt part no.
CDQP2B12-5T	6.1	40	CQ-M3 x 40L
-10T		45	x 45L
CDQP2B16-5T	8	40	CQ-M3 x 40L
-10T		45	x 45L
CDQP2B20-5T	10.5	40	CQ-M5 x 40L
-10T		45	x 45L
CDQP2B25-5T	9.5	40	CQ-M5 x 40L
-10T		45	x 45L
CDQP2B32-5T	9	40	CQ-M5 x 40L
-10T		45	x 45L
CDQP2B40-5T	7.5	45	CQ-M5 x 45L
-10T		50	x 50L
CDQP2B50-10T	12.5	55	CQ-M6 x 55L
-20T		65	x 65L

Standard	Double Acting, Single Rod	CQ2
Standard	Double Acting, Double Rod	CQ2W
Standard	Single Acting, Spring Return-Extend	CQ2
Large Bore Size	Double Acting, Single Rod	CQ2
Large Bore Size	Double Acting, Double Rod	CQ2W
Anti-lateral Load	Double Acting, Single Rod	CQ2□S
Long Stroke	Double Acting, Single Rod	CQ2
Non-rotating Rod	Double Acting, Single Rod	CQ2K
Non-rotating Rod	Double Acting, Double Rod	CQ2KW
Water Resistant	Double Acting, Single Rod	CQ2-RV
Water Resistant	Double Acting, Double Rod	CQ2W-RV
Axial Piping	Double Acting, Single Rod	CQP2
Axial Piping	Single Acting, Spring Return-Extend	CQP2
With End Lock	Double Acting, Single Rod	CBQ2
Auto Switch		Auto Switch
Made to Order		Made to Order

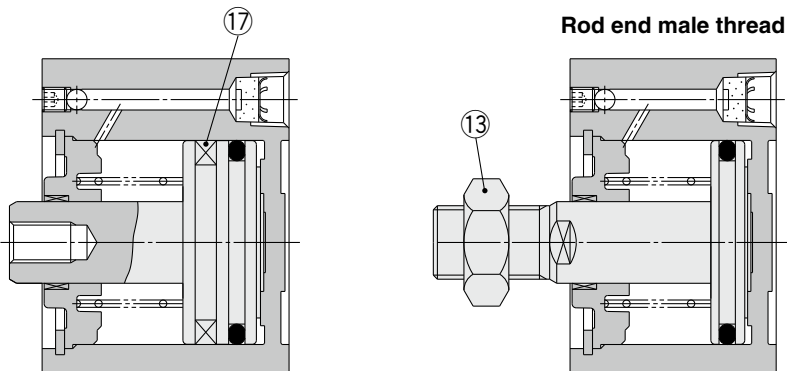
CQP2 Series

Construction

Without auto switch magnet



With auto switch magnet



Component Parts

No.	Description	Material	Note
1	Cylinder tube	Aluminum alloy	Hard anodized
2*1	Piston	Aluminum alloy	
3	Piston rod	Stainless steel	ø12 to ø25
		Carbon steel	ø32 to ø50, Hard chrome plating
4	Collar	Aluminum alloy	ø12 to ø40, Anodized
		Aluminum alloy casted	ø50, Chromated, Painted
5	Retaining ring	Carbon tool steel	Phosphate coated
6	Bushing	Bearing alloy	
7	Return spring	Piano wire	Zinc chromated
8	Bronze element	Sintered metallic BC	
9	Retaining ring	Carbon tool steel	Port sizes Rc1/8, 1/4
10	Plug with fixed orifice	Alloy steel	Port size M5 x 0.8
11	Steel ball	Carbon steel	
12	Hexagon socket head set screw	Alloy steel	Zinc chromated
13	Rod end nut	Carbon steel	Zinc chromated
14	Piston seal	NBR	
15	Rod seal	NBR	
16	Gasket	NBR	
17	Magnet	—	

*1 For the spring extend type (Type T), the piston and piston rod are integrated (stainless steel).

Replacement Parts/Seal Kit

Bore size [mm]	Kit no. (Single acting/Spring return)	Kit no. (Single acting/Spring extend)
12	CQ2B12-S-PS	CQ2B12-T-PS
16	CQ2B16-S-PS	CQ2B16-T-PS
20	CQ2B20-S-PS	CQ2B20-T-PS
25	CQ2B25-S-PS	CQ2B25-T-PS
32	CQ2B32-S-PS	CQ2B32-T-PS
40	CQ2B40-S-PS	CQ2B40-T-PS
50	CQ2B50-S-PS	CQ2B50-T-PS
Contents	⑭ only	Set of nos. ⑭, ⑮, ⑯

* Order the seal kit based on each bore size.

* The seal kit does not include a grease pack. Order it separately.

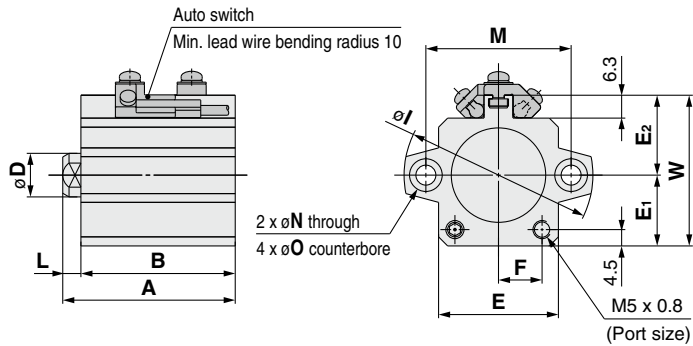
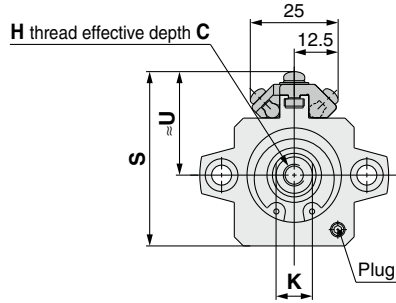
Grease pack part no.: GR-S-010 (10 g)

Bore Size

∅12 to ∅50 Spring Return With/Without Auto Switch Magnet

Through-hole: **C□QP2B□S**

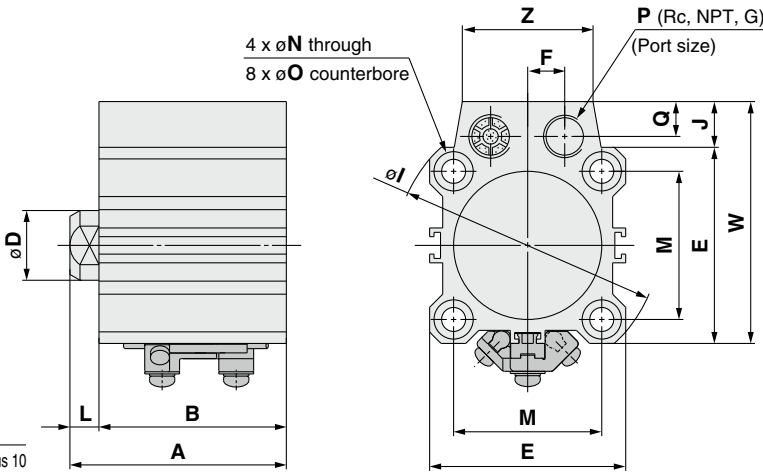
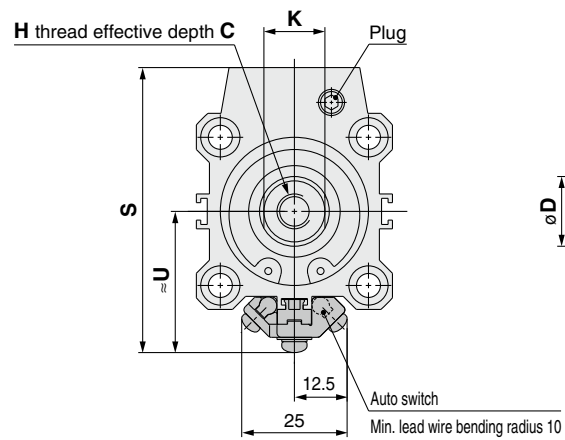
∅12 to ∅25



Bore size [mm]	Without auto switch magnet				With auto switch magnet																			
	A		B		A		B		S	U	C	D	E	E ₁	E ₂	F	H	I	K	L	M	N	O	W
	5 st	10 st	5 st	10 st	5 st	10 st	5 st	10 st																
12	25.5	30.5	22	27	36.5	41.5	33	38	33.5	20.5	6	6	23	13	14	7	M3 x 0.5	32	5	3.5	22	3.5	6.5 depth 3.5	27
16	27	32	23.5	28.5	39	44	35.5	40.5	38.5	23.5	8	8	26	15	17	8.5	M4 x 0.7	38	6	3.5	28	3.5	6.5 depth 3.5	32
20	29	34	24.5	29.5	41	46	36.5	41.5	42.5	25.5	7	10	30	17	19	10.5	M5 x 0.8	47	8	4.5	36	5.5	9 depth 7	36
25	32.5	37.5	27.5	32.5	42.5	47.5	37.5	42.5	48	28.5	12	12	33	19.5	22	12	M6 x 1.0	52	10	5	40	5.5	9 depth 7	41.5

* For details on the rod end nut and accessory brackets ⇨ p. 34 to 36
* For the auto switch proper mounting position and mounting height ⇨ p. 149 to 156

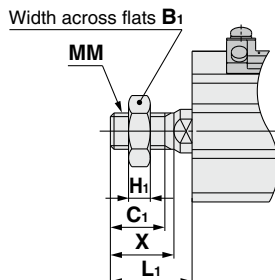
∅32 to ∅50



Bore size [mm]	Without auto switch magnet				With auto switch magnet																									
	A		B		A		B		S	U	C	D	E	F	H	I	J	K	L	M	N	O	P	Q	W	Z				
	5 st	10 st	20 st	5 st	10 st	20 st	5 st	10 st																			20 st	5 st	10 st	20 st
32	35	40	—	28	33	—	45	50	—	38	43	—	65.5	32.5	13	16	45	8.5	M8 x 1.25	60	10.5	14	7	34	5.5	9 depth 7	1/8	8	55.5	30
40	41.5	46.5	—	34.5	39.5	—	51.5	56.5	—	44.5	49.5	—	72	36	13	16	52	8.5	M8 x 1.25	69	10	14	7	40	5.5	9 depth 7	1/8	8	62	30
50	—	48.5	58.5	—	40.5	50.5	—	58.5	68.5	—	50.5	60.5	87	42	15	20	64	11	M10 x 1.5	86	13	17	8	50	6.6	11 depth 8	1/4	10	77	39

* For details on the rod end nut ⇨ p. 34 to 36
* For the auto switch proper mounting position and mounting height ⇨ p. 149 to 156

Rod end male thread



Bore size [mm]	B ₁	C ₁	H ₁	L ₁	MM	X
12	8	9	4	14	M5 x 0.8	10.5
16	10	10	5	15.5	M6 x 1.0	12
20	13	12	5	18.5	M8 x 1.25	14
25	17	15	6	22.5	M10 x 1.25	17.5
32	22	20.5	8	28.5	M14 x 1.5	23.5
40	22	20.5	8	28.5	M14 x 1.5	23.5
50	27	26	11	33.5	M18 x 1.5	28.5

Standard	Double Acting, Single Rod	CQ2
Standard	Double Acting, Double Rod	CQ2W
Standard	Single Acting, Spring Return-End	CQ2
Large Bore Size	Double Acting, Single Rod	CQ2
Large Bore Size	Double Acting, Double Rod	CQ2W
Anti-lateral Load	Double Acting, Single Rod	CQ2□S
Long Stroke	Double Acting, Single Rod	CQ2
Non-rotating Rod	Double Acting, Single Rod	CQ2K
Non-rotating Rod	Double Acting, Double Rod	CQ2KW
Water Resistant	Double Acting, Single Rod	CQ2-RV
Water Resistant	Double Acting, Double Rod	CQ2W-RV
Axial Piping	Double Acting, Single Rod	CQP2
Axial Piping	Single Acting, Spring Return-End	CQP2
With End Lock	Double Acting, Single Rod	CBQ2
Auto Switch		Auto Switch
Made to Order		Made to Order

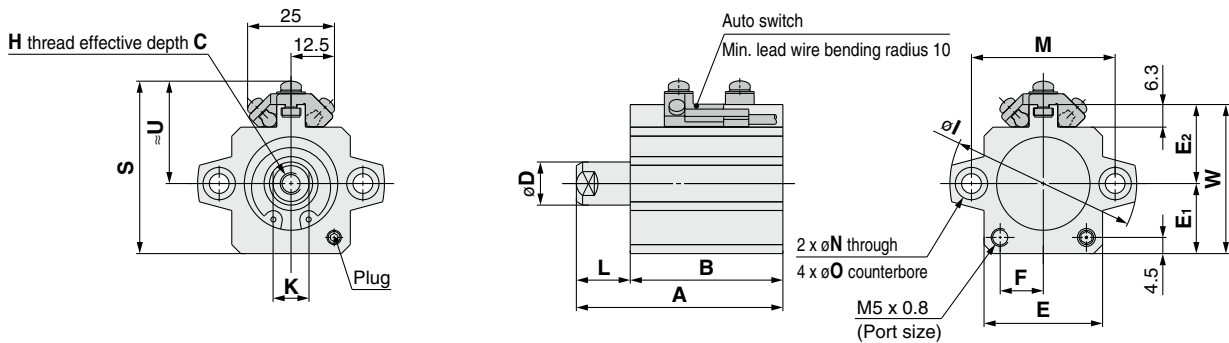
CQP2 Series

Bore Size

∅12 to ∅50 Spring Extend With/Without Auto Switch Magnet

Through-hole: C□QP2B□T

∅12 to ∅25

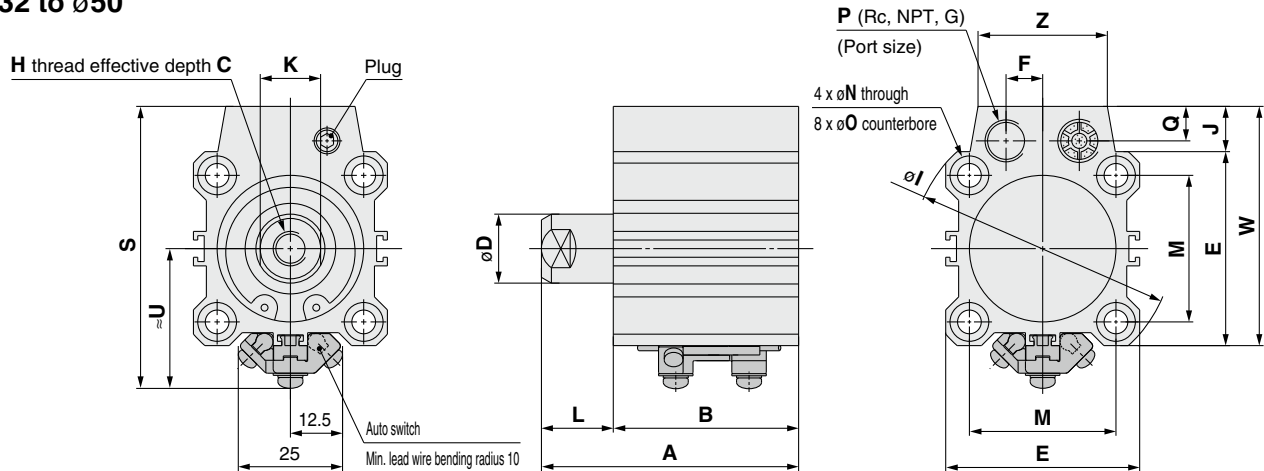


Bore size [mm]	Without auto switch magnet				With auto switch magnet																				
	A		B		A		B		S	U	C	D	E	E ₁	E ₂	F	H	I	K	L		M	N	O	W
	5 st	10 st	5 st	10 st	5 st	10 st	5 st	10 st												5 st	10 st				
12	30.5	40.5	22	27	45.9	55.9	37.4	42.4	33.5	20.5	6	6	23	13	14	7	M3 x 0.5	32	5	8.5	13.5	22	3.5	6.5 depth 3.5	27
16	32	42	23.5	28.5	44	54	35.5	40.5	38.5	23.5	8	8	26	15	17	8.5	M4 x 0.7	38	6	8.5	13.5	28	3.5	6.5 depth 3.5	32
20	34	44	24.5	29.5	46	56	36.5	41.5	42.5	25.5	7	10	30	17	19	10.5	M5 x 0.8	47	8	9.5	14.5	36	5.5	9 depth 7	36
25	37.5	47.5	27.5	32.5	47.5	57.5	37.5	42.5	48	28.5	12	12	33	19.5	22	12	M6 x 1.0	52	10	10	15	40	5.5	9 depth 7	41.5

* For details on the rod end nut ⇨ p. 34

* For the auto switch proper mounting position and mounting height ⇨ p. 149 to 156

∅32 to ∅50



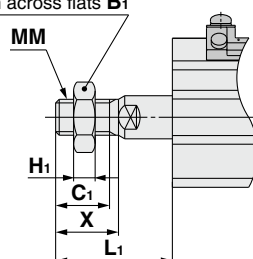
Bore size [mm]	Without auto switch magnet				With auto switch magnet																											
	A			B	A			B	S	U	C	D	E	F	H	I	J	K	L			M	N	O	P	Q	W	Z				
	5 st	10 st	20 st	5 st	5 st	10 st	20 st	5 st											10 st	20 st	5 st								10 st	20 st	5 st	10 st
32	40	50	—	28	33	—	50	60	—	38	43	—	62	29	13	16	45	8.5	M8 x 1.25	60	10.5	14	12	17	—	34	5.5	9 depth 7	1/8	8	55.5	30
40	46.5	56.5	—	34.5	39.5	—	56.5	66.5	—	44.5	49.5	—	68.5	32.5	13	16	52	8.5	M8 x 1.25	69	10	14	12	17	—	40	5.5	9 depth 7	1/8	8	62	30
50	—	58.5	78.5	—	40.5	50.5	—	68.5	88.5	—	50.5	60.5	83.5	38.5	15	20	64	11	M10 x 1.5	86	13	17	—	18	28	50	6.6	11 depth 8	1/4	10	77	39

* For details on the rod end nut ⇨ p. 34

* For the auto switch proper mounting position and mounting height ⇨ p. 149 to 156

Rod end male thread

Width across flats B₁



Bore size [mm]	B ₁	C ₁	H ₁	L ₁			MM	X
				5 st	10 st	20 st		
12	8	9	4	19	24	—	M5 x 0.8	10.5
16	10	10	5	20.5	25.5	—	M6 x 1.0	12
20	13	12	5	23.5	28.5	—	M8 x 1.25	14
25	17	15	6	27.5	32.5	—	M10 x 1.25	17.5
32	22	20.5	8	33.5	38.5	—	M14 x 1.5	23.5
40	22	20.5	8	33.5	38.5	—	M14 x 1.5	23.5
50	27	26	11	—	43.5	53.5	M18 x 1.5	28.5

Made to Order	Auto Switch
With End Lock Double Acting, Single Rod CBQ2	Axial Piping Single Acting, Spring Return-Extend CQP2 Double Acting, Single Rod CQP2
Water Resistant Double Acting, Double Rod CQ2W-RV Double Acting, Single Rod CQ2-R/V	Non-rotating Rod Double Acting, Double Rod CQ2KW Double Acting, Single Rod CQ2K
Long Stroke Double Acting, Single Rod CQ2	Anti-lateral Load Double Acting, Single Rod CQ2□S
Large Bore Size Double Acting, Double Rod CQ2W Double Acting, Single Rod CQ2	Standard Single Acting, Spring Return-Extend CQ2 Double Acting, Double Rod CQ2W Double Acting, Single Rod CQ2

Compact Cylinder: With End Lock

CBQ2 Series

ø20, ø25, ø32, ø40, ø50, ø63, ø80, ø100

How to Order

Without auto switch

CBQ2 B 40 [] - 30 DC [] - H N - []

With auto switch

CDBQ2 B 40 [] - 30 DC [] - H N - M9BW [] - []

With auto switch magnet

1 2 3 4 5 6 7 8 9 10 11 12

1 Mounting

B	Through-hole*1	ø20 to ø100
L	Foot	
LC	Compact foot	
F	Rod flange	
G	Head flange	
D	Double clevis	
A	Both ends tapped	ø32 to ø100

- *1 ø20, ø25 have both through-hole (B) and both ends tapped (A).
At the 75 and 100 mm strokes with ø80, ø100, both ends tapped (A) is the standard. Through-hole (B) is not available.
- * Mounting brackets are shipped together with the product but do not come assembled.
- * A through-hole type mounting bolt is available as an option. For details ⇨ p. 143

4 Cylinder stroke (For details on the minimum stroke for auto switch mounting ⇨ p. 157) [mm]

Bore size	Standard stroke
20, 25, 32, 40, 50, 63	10, 15, 20, 25, 50, 75, 100
80, 100	25, 50, 75, 100

- * For the manufacturing of intermediate strokes ⇨ p. 141

7 Body option

Nil	Rod end female thread
M	Rod end male thread

8 Lock position

H	Head end lock
R	Rod end lock

2 Bore size

20	20 mm
25	25 mm
32	32 mm
40	40 mm
50	50 mm
63	63 mm
80	80 mm
100	100 mm

3 Port thread type

Nil	M thread	ø12, ø25
	Rc	
TN	NPT	ø32 to ø100
TF	G	

5 Action

D	Double acting
----------	---------------

6 Cushion

C	Rubber bumper
----------	---------------

9 Manual release type

N	Non-lock type
L	Lock type

10 Auto switch

Nil	Without auto switch
------------	---------------------

- * For applicable auto switches ⇨ p. 140

11 Number of auto switches

Nil	2
S	1
n	n

12 Made to order

common specifications
For details ⇨ p. 141

Cylinder Model with Auto Switch Magnet

If a cylinder with an auto switch magnet and without an auto switch is required, there is no need to enter the symbol for the auto switch.
(Example) CDBQ2L32-30DC-RL

Compact Cylinder: With End Lock **CBQ2 Series**



Standard	Double Acting, Single Rod	CQ2
Standard	Double Acting, Double Rod	CQ2W
Standard	Single Acting, Spring Return, End	CQ2
Large Bore Size	Double Acting, Double Rod	CQ2W
Large Bore Size	Double Acting, Single Rod	CQ2
Anti-lateral Load	Double Acting, Single Rod	CQ2□S
Long Stroke	Double Acting, Single Rod	CQ2
Non-rotating Rod	Double Acting, Double Rod	CQ2KW
Water Resistant	Double Acting, Single Rod	CQ2-R/V
Water Resistant	Double Acting, Double Rod	CQ2W-R/V
Axial Piping	Double Acting, Single Rod	CQP2
Axial Piping	Single Acting, Spring Return, End	CQP2
With End Lock	Double Acting, Single Rod	CBQ2
Auto Switch		
Made to Order		

For details on **auto switch mounting** ⇨ p. 149 to 165

- Auto Switch Proper Mounting Position (Detection at stroke end) and Mounting Height
- Minimum Stroke for Auto Switch Mounting
- Operating Range
- Auto Switch Mounting Brackets/Part Nos.

Applicable Auto Switches / Refer to the **Web Catalog** for further information on auto switches.

Type	Special function	Electrical entry	Indicator light	Wiring (Output)	Load voltage		Auto switch model		Lead wire length [m]					Pre-wired connector	Applicable load		
					DC	AC	Perpendicular		In-line		0.5 (Nil)	1 (M)	3 (L)			5 (Z)	None (N)
							ø20, ø25	ø32 to ø100	ø20, ø25	ø32 to ø100							
Solid state auto switch	—	Grommet	No	3-wire (NPN)	24 V	5 V, 12 V	—	M9NV	M9N	●	●	●	○	—	○	IC circuit	
				3-wire (PNP)				M9PV	M9P	●	●	●	○	—	○		
	Diagnostic indication (2-color indicator)	Connector	Yes	2-wire	12 V	—	—	M9BV	M9B	●	●	●	○	—	○	—	
				—	J79C			—	●	—	●	●	—	—			
	Water resistant (2-color indicator)	Grommet	Yes	3-wire (NPN)	24 V	5 V, 12 V	—	M9NVV	M9NV	●	●	●	○	—	○	IC circuit	
				3-wire (PNP)				M9PVV	M9PV	●	●	●	○	—	○		
	Water resistant (2-color indicator)	Grommet	Yes	2-wire	12 V	—	—	M9BVV	M9BV	●	●	●	○	—	○	—	
				3-wire (NPN)	M9NAV *1			M9NA *1	○	○	●	○	—	○			
	Water resistant (2-color indicator)	Grommet	Yes	3-wire (PNP)	24 V	5 V, 12 V	—	M9PAV *1	M9PA *1	○	○	●	○	—	○	IC circuit	
				2-wire	12 V	M9BAV *1		M9BA *1	○	○	●	○	—	○			
Water resistant (2-color indicator)	Grommet	Yes	4-wire	5 V, 12 V	—	—	—	F79F	●	—	●	○	—	○	IC circuit		
			2-wire (Non-polar)	—			—	P4DW	—	—	●	●	—	○			
Reed auto switch	—	Grommet	Yes	3-wire (NPN equivalent)	24 V	5 V	—	A96V	A96	●	●	●	●	—	○	IC circuit	
				—		200 V	—	A72	—	A72H	●	—	●	—	—		—
	Diagnostic indication (2-color indicator)	Connector	No	2-wire	12 V	100 V	—	—	A93V	A93	●	●	●	●	—	○*2	—
					5 V, 12 V	100 V or less			A90V	A90	●	●	●	●	—	○*2	
	Diagnostic indication (2-color indicator)	Grommet	Yes	2-wire	12 V	—	—	—	A73C	—	●	—	●	●	—	—	—
					5 V, 12 V	24 V or less			A80C	—	●	—	●	●	—	—	
	Diagnostic indication (2-color indicator)	Grommet	Yes	2-wire	—	—	—	—	A79W	—	●	—	●	—	—	—	—
—					—	—			—	—	—	—	—	—	—	—	

*1 Water-resistant type auto switches can be mounted on the models on page 139, but SMC cannot guarantee water resistance.

Please contact SMC regarding water-resistant types with the model numbers on page 139.

*2 The load voltage used is 24 VDC.

- * Lead wire length symbols: 0.5 m Nil (Example) M9NW
 1 m M (Example) M9NWM
 3 m L (Example) M9NWL
 5 m Z (Example) M9NWZ
 None N (Example) J79CN

* Auto switches marked with a "○" are produced upon receipt of order.

* The D-P4DW type is only available in sizes ø40 to ø100.

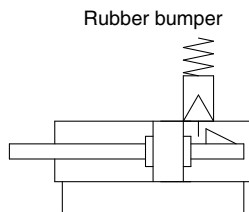
* Only for the D-P4DW type, an auto switch is assembled and shipped with the cylinder.

* There are applicable auto switches other than those listed above. For details ⇨ p. 165

* When the D-A9□(V)/M9□(V)/M9□W(V)/M9□A(V) types with ø32 to ø50 are mounted on a surface other than the port side, order auto switch mounting brackets separately. For details ⇨ p. 163, 164

CBQ2 Series

Symbol



Made to Order Common Specifications
(For details ⇨ p. 167 to 196)

Symbol	Specifications
-XB10	Intermediate stroke (Exclusive body type)
-XC26	With split pins for double clevis pin/ double knuckle joint pin and flat washers
-XC85	Grease for food processing equipment

* Stainless steel accessories are also available.
For details ⇨ p. 34

Specifications

Bore size [mm]	20	25	32	40	50	63	80	100
Action	Double acting, Single rod							
Fluid	Air							
Proof pressure	1.5 MPa							
Maximum operating pressure	1.0 MPa							
Minimum operating pressure	0.15 MPa* ¹							
Ambient and fluid temperatures	Without auto switch magnet: -10 to 70°C With auto switch magnet: -10 to 60°C (No freezing)							
Lubrication	Not required (Non-lube)							
Piston speed	50 to 500 mm/s							
Cushion	Rubber bumper							
Allowable kinetic energy [J]	0.055	0.09	0.15	0.26	0.46	0.77	1.36	2.27
Stroke length tolerance	+1.0 mm* ² 0							

*¹ 0.05 MPa except for the end lock unit

*² Stroke length tolerance does not include the amount of bumper change.

Lock Specifications

Bore size [mm]	20	25	32	40	50	63	80	100
Holding force (Max.) [N]	215	330	550	860	1340	2140	3450	5390
Backlash	2 mm or less							
Manual release	Non-lock type, Lock type							

Manufacturing of Intermediate Strokes

Type	A spacer is installed in the standard stroke body.	Exclusive body (-XB10)
Part no.	Refer to "How to Order" for the standard model number. (⇨ p. 139)	Suffix "-XB10" to the end of standard model number. (⇨ p. 139)
Description	Strokes in 5 mm increments are available by installing a spacer in the standard stroke cylinder.	Dealing with the stroke in 1 mm increments by using an exclusive body with the specified stroke.
Stroke range	Bore size	Bore size
	Stroke range	Stroke range
Example	20 to 100	20 to 63
	5 to 95	80, 100
Example	Part no.: CBQ2B40-45DC-HL CBQ2B40-50DC-HL with 5 mm width spacer inside. B dimension is 125 mm.	Part no.: CBQ2B40-45DC-HL-XB10 Makes 45 stroke tube. B dimension is 120 mm.

In the case of an exclusive body type for $\phi 20$, $\phi 25$, $\phi 80$ and $\phi 100$ (-XB10) with the stroke length exceeding 25 mm, the reference values of the longitudinal dimension will be changed.
Subtract from 50, 75 and 100 stroke dimensions and figure it out.

Mounting Bracket Part Nos.

Bore size [mm]	Foot* ¹	Compact foot* ¹	Flange	Double clevis* ²	Double clevis pivot bracket
20	CQS-L020	CQS-LC020	CQS-F020	CQS-D020	CQ-C020
25	CQS-L025	CQS-LC025	CQS-F025	CQS-D025	CQ-C025
32	CQ-L032	CQ-LC032	CQ-F032	CQ-D032	CQ-C032
40	CQ-L040	CQ-LC040	CQ-F040	CQ-D040	CQ-C040
50	CQ-L050	CQ-LC050	CQ-F050	CQ-D050	CQ-C050
63	CQ-L063	CQ-LC063	CQ-F063	CQ-D063	CQ-C063
80	CQ-L080	CQ-LC080	CQ-F080	CQ-D080	CQ-C080
100	CQ-L100	CQ-LC100	CQ-F100	CQ-D100	CQ-C100

*¹ When ordering foot and compact foot brackets, order 2 pieces per cylinder.

*² Parts included with each type of bracket are as follows. Foot, Compact foot, Flange: Body mounting bolts, Double clevis: Clevis pin, Type C retaining rings for axis, Body mounting bolts

* Clevis pin and retaining rings are included with double clevis.

* Foot, compact foot, flange brackets, etc., cannot be retrofitted for through-hole mounting (B).

Moisture Control Tube IDK Series



When operating an actuator with a small bore size and a short stroke at a high frequency, dew condensation (water droplets) may occur inside the piping depending on the conditions.

Simply connecting the moisture control tube to the actuator will prevent dew condensation from occurring. For details, refer to the **Web Catalog**.

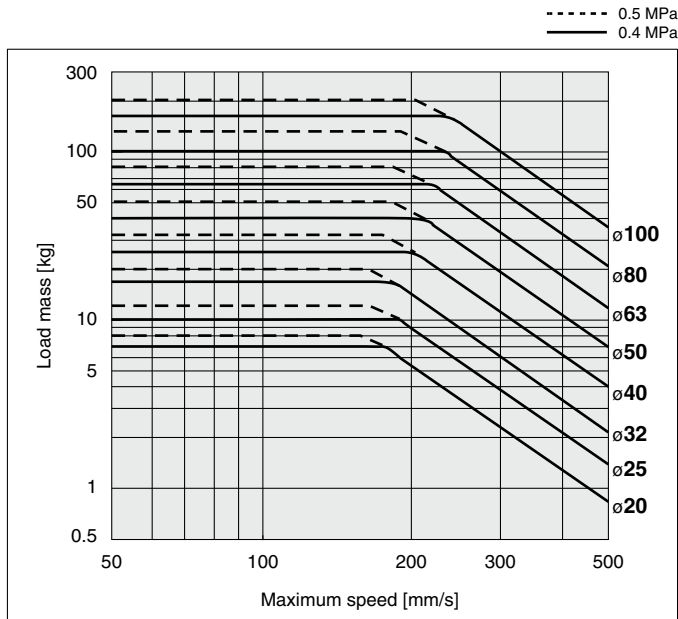
⚠ Precautions

Refer to pages 197, 199, and 200 before handling the products.

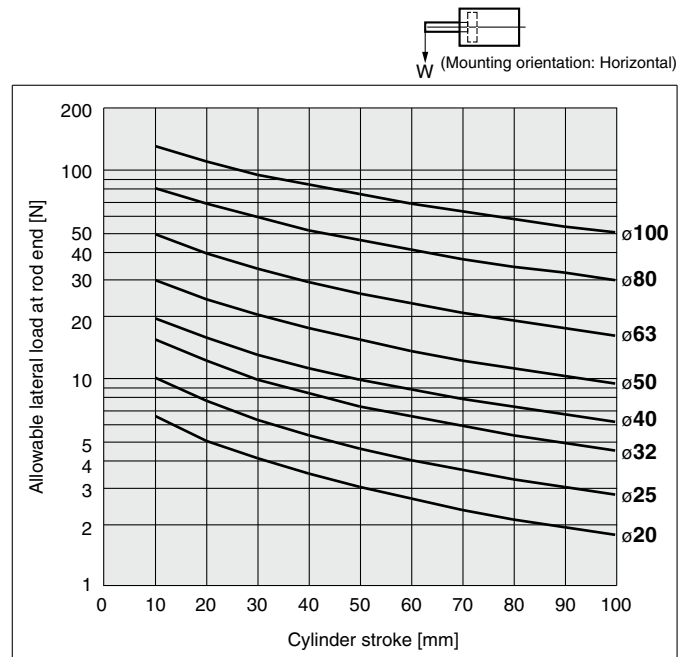
Dimensions of Each Mounting Bracket

The dimensions of each mounting bracket are the same as those of the standard type, double acting, single rod (except the configuration of the piston rod). Refer to pages 29 to 33.

Allowable Kinetic Energy



Allowable Lateral Load at Rod End



Weight

Without Auto Switch Magnet, Non-lock Type (-□N)

Bore size [mm]	Cylinder stroke [mm]						
	10	15	20	25	50	75	100
20	211	224	237	249	313	416	480
25	278	294	310	325	405	534	613
32	378	399	419	440	544	649	754
40	540	563	586	610	725	845	965
50	868	904	940	976	1158	1346	1534
63	1097	1138	1179	1220	1424	1636	1847
80	—	—	—	2821	3160	3495	3829
100	—	—	—	4306	4760	5220	5680

Additional Weight

Bore size [mm]	20	25	32	40	50	63	80	100
Lock type (-□L)	10	10	10	20	20	20	30	30
With auto switch magnet	5	6	11	13	18	22	24	35
Both ends tapped	—	—	6	6	6	19	45	45
Rod end male thread	Male thread	6	12	26	27	53	120	175
	Nut	4	8	17	17	32	49	116
Foot (Including mounting bolts)	152	177	120	138	219	297	589	968
Compact foot (Including mounting bolts)	117	135	94	109	172	234	492	762
Rod flange (Including mounting bolts)	143	180	180	214	373	559	1056	1365
Head flange (Including mounting bolts)	137	171	165	198	348	534	1017	1309
Double clevis (Including pin, retaining rings, bolts)	92	127	151	196	393	554	1109	1887

Calculation: (Example) **CBQ2B32-50DCM-HN**

- Basic weight: CBQ2B32-50DC-HN 544 g
 - Additional weight: Rod end male thread 43 g (26 g + 17g)
- Total 587 g

Double Acting, Single Rod	CQ2
Standard	CQ2W
Double Acting, Single Rod	CQ2
Single Acting, Spring Return-End	CQ2
Double Acting, Single Rod	CQ2
Large Bore Size	CQ2W
Double Acting, Double Rod	CQ2W
Anti-lateral Load	CQ2□S
Double Acting, Single Rod	CQ2
Long Stroke	CQ2
Double Acting, Single Rod	CQ2K
Non-rotating Rod	CQ2KW
Double Acting, Double Rod	CQ2-RV
Water Resistant	CQ2W-RV
Double Acting, Single Rod	CQP2
Double Acting, Double Rod	CQP2
Single Acting, Spring Return-End	CQP2
With End Lock	CBQ2
Double Acting, Single Rod	Auto Switch
Double Acting, Single Rod	Made to Order

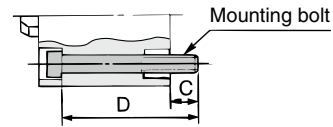
CBQ2 Series

Through-hole Type Mounting Bolt for the C(D)BQ2

Mounting bolt for the through-hole mounting of the C(D)BQ2 is available as an option. Refer to the following for ordering procedures. Order the actual number of bolts that will be used.

Example) CQ-M5 x 75L 4 pcs.

* Be sure to use the attached flat washers when mounting ø20 and ø25 cylinders with through-holes.



Type: Hexagon socket head cap screw
Material: Chromium molybdenum steel
Surface treatment: Zinc chromated

With Head End Lock (H□)

Cylinder model	C	D	Mounting bolt part no.
C(D)BQ2B20-10DC-H□	10	75	CQ-M5 x 75L
-15DC-H□		80	x 80L
-20DC-H□		85	x 85L
-25DC-H□		90	x 90L
-50DC-H□		120	x 120L
-75DC-H□		145	x 145L
-100DC-H□		170	x 170L
C(D)BQ2B25-10DC-H□	7	75	CQ-M5 x 75L
-15DC-H□		80	x 80L
-20DC-H□		85	x 85L
-25DC-H□		90	x 90L
-50DC-H□		120	x 120L
-75DC-H□		145	x 145L
-100DC-H□		170	x 170L
C(D)BQ2B32-10DC-H□	6.5	75	CQ-M5 x 75L
-15DC-H□		80	x 80L
-20DC-H□		85	x 85L
-25DC-H□		90	x 90L
-50DC-H□		115	x 115L
-75DC-H□		140	x 140L
-100DC-H□		165	x 165L
C(D)BQ2B40-10DC-H□	7	85	CQ-M5 x 85L
-15DC-H□		90	x 90L
-20DC-H□		95	x 95L
-25DC-H□		100	x 100L
-50DC-H□		125	x 125L
-75DC-H□		150	x 150L
-100DC-H□		175	x 175L

Cylinder model	C	D	Mounting bolt part no.
C(D)BQ2B50-10DC-H□	12.5	90	CQ-M6 x 90L
-15DC-H□		95	x 95L
-20DC-H□		100	x 100L
-25DC-H□		105	x 105L
-50DC-H□		130	x 130L
-75DC-H□		155	x 155L
-100DC-H□		180	x 180L
C(D)BQ2B63-10DC-H□	13.5	90	CQ-M8 x 90L
-15DC-H□		95	x 95L
-20DC-H□		100	x 100L
-25DC-H□		105	x 105L
-50DC-H□		130	x 130L
-75DC-H□		155	x 155L
-100DC-H□		180	x 180L
C(D)BQ2B80-25DC-H□	12.5	135	CQ-M10 x 135L
-50DC-H□	13	160	x 160L
C(D)BQ2B100-25DC-H□		145	CQ-M10 x 145L
-50DC-H□		170	x 170L

With Rod End Lock (R□)

Cylinder model	C	D	Mounting bolt part no.
C(D)BQ2B20-10DC-R□	6.5	65	CQ-M5 x 65L
-15DC-R□		70	x 70L
-20DC-R□		75	x 75L
-25DC-R□		80	x 80L
-50DC-R□		120	x 120L
-75DC-R□		145	x 145L
-100DC-R□		170	x 170L
C(D)BQ2B25-10DC-R□	8.5	70	CQ-M5 x 70L
-15DC-R□		75	x 75L
-20DC-R□		80	x 80L
-25DC-R□		85	x 85L
-50DC-R□		120	x 120L
-75DC-R□		145	x 145L
-100DC-R□		170	x 170L
C(D)BQ2B32-10DC-R□	9	70	CQ-M5 x 70L
-15DC-R□		75	x 75L
-20DC-R□		80	x 80L
-25DC-R□		85	x 85L
-50DC-R□		110	x 110L
-75DC-R□		135	x 135L
-100DC-R□		160	x 160L
C(D)BQ2B40-10DC-R□	7.5	75	CQ-M5 x 75L
-15DC-R□		80	x 80L
-20DC-R□		85	x 85L
-25DC-R□		90	x 90L
-50DC-R□		115	x 115L
-75DC-R□		140	x 140L
-100DC-R□		165	x 165L

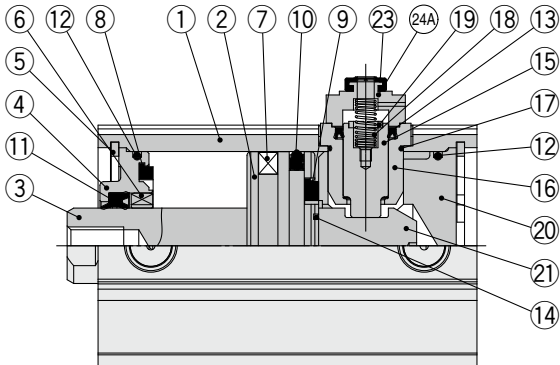
Cylinder model	C	D	Mounting bolt part no.
C(D)BQ2B50-10DC-R□	12.5	80	CQ-M6 x 80L
-15DC-R□		85	x 85L
-20DC-R□		90	x 90L
-25DC-R□		95	x 95L
-50DC-R□		120	x 120L
-75DC-R□		145	x 145L
-100DC-R□		170	x 170L
C(D)BQ2B63-10DC-R□	14.5	85	CQ-M8 x 85L
-15DC-R□		90	x 90L
-20DC-R□		95	x 95L
-25DC-R□		100	x 100L
-50DC-R□		125	x 125L
-75DC-R□		150	x 150L
-100DC-R□		175	x 175L
C(D)BQ2B80-25DC-R□	15	130	CQ-M10 x 130L
-50DC-R□	15.5	155	x 155L
C(D)BQ2B100-25DC-R□		140	CQ-M10 x 140L
-50DC-R□		165	x 165L

Made to Order	Auto Switch	With End Lock Double Acting, Single Rod CBQ2	Axial Piping Single Acting, Spring Return-Extend CQP2 Double Acting, Single Rod CQP2	Water Resistant Double Acting, Double Rod CQ2W-RV Double Acting, Single Rod CQ2-R/V	Non-rotating Rod Double Acting, Double Rod CQ2KW Double Acting, Single Rod CQ2K	Long Stroke Double Acting, Single Rod CQ2	Anti-lateral Load Double Acting, Single Rod CQ2□S	Large Bore Size Double Acting, Double Rod CQ2W Double Acting, Single Rod CQ2	Standard Single Acting, Spring Return-Extend CQ2 Double Acting, Double Rod CQ2W Double Acting, Single Rod CQ2
----------------------	--------------------	--	---	--	--	---	---	---	---

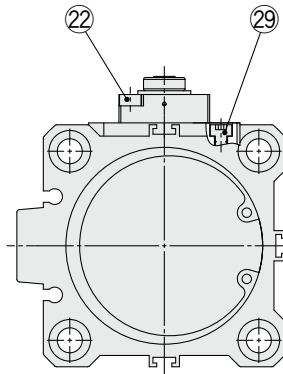
CBQ2 Series

Construction

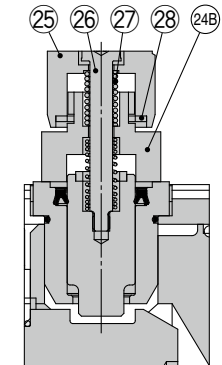
ø32 to ø63



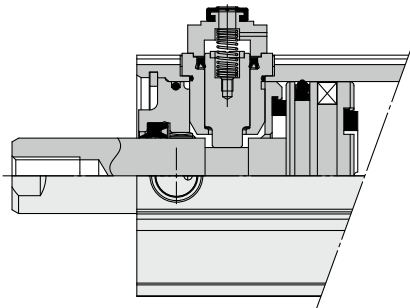
Head end lock



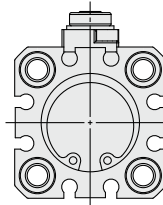
Cylinder tube form
ø32 to ø63



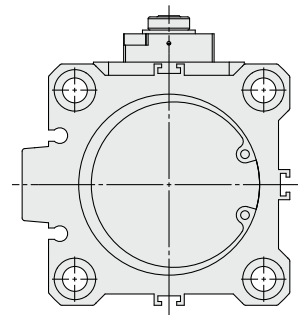
Manual release lock type:
Suffix L



Rod end lock

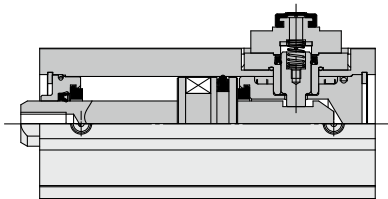


Cylinder tube form
ø25 or less

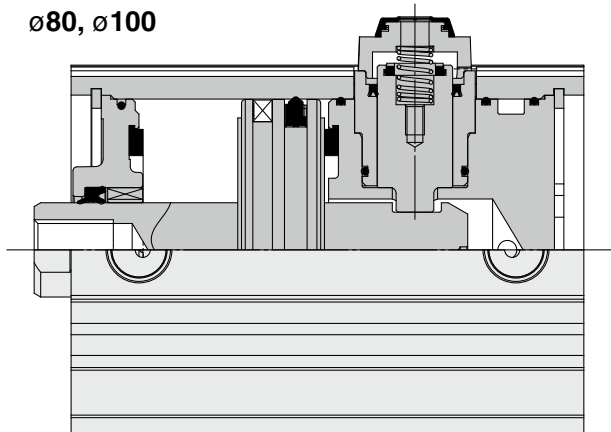


Cylinder tube form
ø80 or more

ø20, ø25



ø80, ø100



Component Parts

No.	Description	Material	Note
1	Cylinder tube	Aluminum alloy	Hard anodized
2	Piston	Aluminum alloy	
3	Piston rod	Carbon steel	Hard chrome plating
4	Collar	Aluminum bearing alloy	ø40 or less, Anodized
		Aluminum alloy casted	ø50 or more, Painted after chromated
5	Retaining ring	Carbon tool steel	Phosphate coated
6	Bushing	Lead-bronze casted	For ø50 or larger only
7	Magnet	—	With auto switch magnet
8	Bumper A	Urethane	
9	Bumper B	Urethane	
10	Piston seal	NBR	
11	Rod seal	NBR	
12	Tube gasket	NBR	Using 4 pcs. for ø80, ø100
13	Lock piston seal	NBR	
14	Piston gasket	NBR	
15	Lock piston	Carbon steel	Quenched, Hard chrome plating
16	Lock holder	Brass	Electroless nickel plating
17	Gasket	NBR	
18	Lock spring	Stainless steel	
19	Bumper	Urethane	
20	Head cover	Aluminum alloy	Anodized
21	Lock bolt	Carbon steel	Quenched, Hard chrome plating
22	Hexagon socket head cap screw	Alloy steel	Black zinc chromated
23	Rubber cap	Synthetic rubber	
24A	Cap A	Aluminum casted	Black painted
24B	Cap B	Carbon steel	Black painted
25	M/O knob	Zinc die-casted	Black painted
26	M/O bolt	Alloy steel	Black zinc chromated
27	M/O spring	Steel wire	Zinc chromated
28	Stopper ring	Rolled steel	Zinc chromated
29	Hexagon socket head cap screw	Alloy steel	Zinc chromated
30	Rod end nut	Carbon steel	

Replacement Parts/Seal Kit (End lock type)

Bore size [mm]	Kit no.	Contents
20	CBQ2B20-PS	Set of nos. ⑩, ⑪, ⑫, ⑬, ⑰, ⑱, ⑳ and a grease pack
25	CBQ2B25-PS	
32	CBQ2B32-PS	
40	CBQ2B40-PS	
50	CBQ2B50-PS	
63	CBQ2B63-PS	
80	CBQ2B80-PS	
100	CBQ2B100-PS	

* Seal kit includes ⑩, ⑪, ⑫, ⑬, ⑰, ⑱, ⑳. Order the seal kit based on each bore size.

Standard	Double Acting, Single Rod	CQ2
Standard	Double Acting, Double Rod	CQ2W
Standard	Single Acting, Spring Return, End	CQ2
Large Bore Size	Double Acting, Double Rod	CQ2W
Large Bore Size	Double Acting, Single Rod	CQ2
Anti-lateral Load	Double Acting, Single Rod	CQ2S
Long Stroke	Double Acting, Single Rod	CQ2
Long Stroke	Double Acting, Double Rod	CQ2K
Non-rotating Rod	Double Acting, Single Rod	CQ2KW
Non-rotating Rod	Double Acting, Double Rod	CQ2KW
Water Resistant	Double Acting, Single Rod	CQ2-R/V
Water Resistant	Double Acting, Double Rod	CQ2W-R/V
Axial Piping	Double Acting, Single Rod	CQP2
Axial Piping	Double Acting, Double Rod	CQP2
With End Lock	Double Acting, Single Rod	CBQ2
With End Lock	Double Acting, Double Rod	CBQ2
Auto Switch		Auto Switch
Made to Order		Made to Order

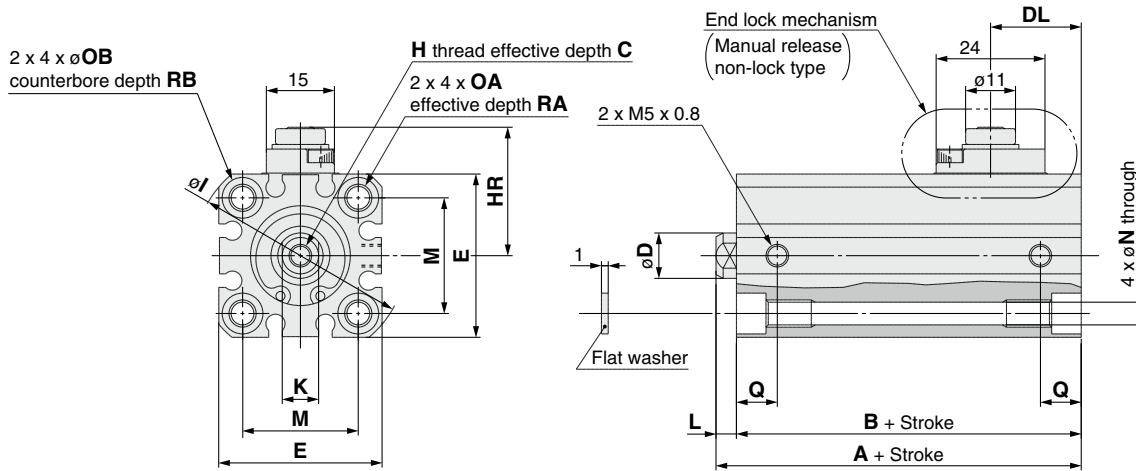
CBQ2 Series

Bore Size

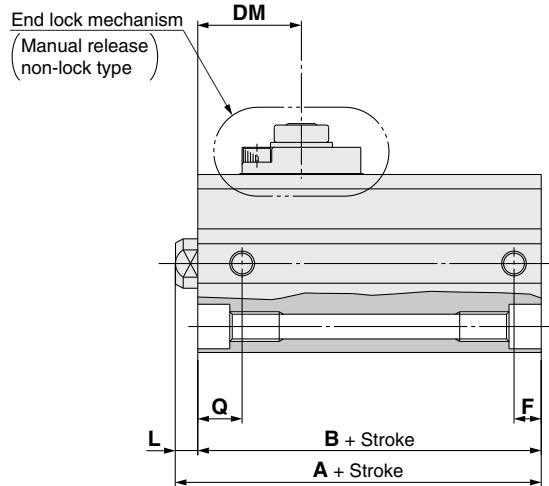
Ø20, Ø25 With/Without Auto Switch Magnet

Through-hole: C□BQ2B

With head end lock



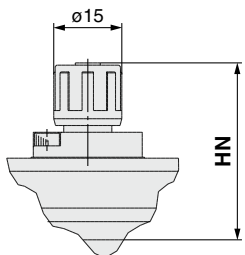
With rod end lock



Bore size [mm]	Standard stroke	With head end lock		With rod end lock			C	D	DL	DM	E	H	HR	I	K	L	M	N	OA	OB	Q	RA	RB
		A	B	A	B	F																	
20	10, 15, 20, 25	65.5	61	59	54.5	5.5	7	10	20	21	36	M5 x 0.8	28.5	47	8	4.5 14.5	25.5	5.4	M6 x 1.0	9	9	10	7
	50, 75, 100	80.5	66	80.5	66	9																	
25	10, 15, 20, 25	69	64	62.5	57.5	5.5	12	12	21	21	40	M6 x 1.0	29.5	52	10	5 15	28	5.4	M6 x 1.0	9	11	10	7
	50, 75, 100	84	69	84	69	11																	

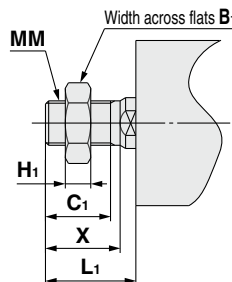
* For details on the rod end nut and accessory brackets ⇨ p. 34 to 36

End lock mechanism
(Manual release lock type)



Bore size [mm]	HN (Max.) [mm]
20	40
25	41

Rod end male thread



Bore size [mm]	Standard stroke	B ₁	C ₁	H ₁	L ₁	MM	X
20	10, 15, 20, 25	13	12	5	18.5 28.5	M8 x 1.25	14
	50, 75, 100						
25	10, 15, 20, 25	17	15	6	22.5 32.5	M10 x 1.25	17.5
	50, 75, 100						

Dimensions of Each Mounting Bracket

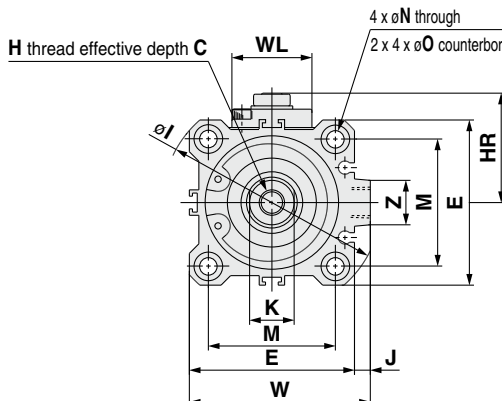
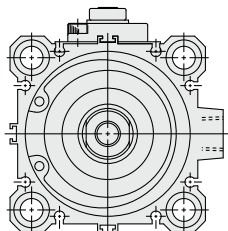
The dimensions of each mounting bracket are the same as those of the standard type, double acting, single rod (except the configuration of the piston rod). Refer to pages 29 to 33.

Bore Size

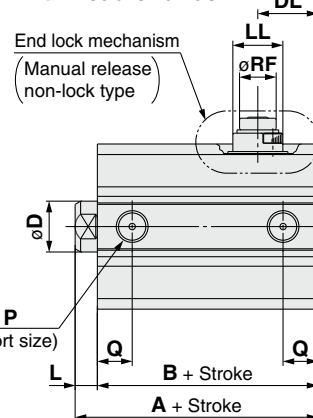
ø32 to ø100 With/Without Auto Switch Magnet

Standard: **C□BQ2B**

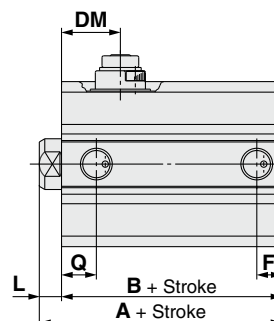
ø63, ø80, ø100



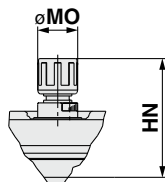
With head end lock



With rod end lock



End lock mechanism
(Manual release lock type)



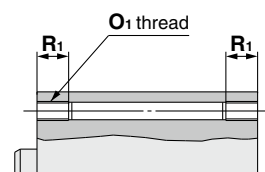
Bore size [mm]	[mm]	
	HN (Max.)	MO
32	45	15
40	52.5	19
50	59	19
63	64	19
80	76.5	23
100	86	23

Bore size [mm]	Standard stroke	With head end lock			With rod end lock				C	D	DL	DM	E	H	HR	I	J	K	L	LL	M
		A	B	Q	A	B	F	Q													
32	10, 15, 20 25, 50 75, 100	72.5	65.5	12.5	65	58	7.5	10.5	13	16	25	22	45	M8 x 1.25	33.5	60	4.5	14	7	15	34
40		82	75	14	71.5	64.5	8	11	13	16	29	26	52	M8 x 1.25	38.5	69	5	14	7	21	40
50		83.5	75.5	14	73.5	65.5	10.5	10.5	15	20	29.5	24	64	M10 x 1.5	45	86	7	17	8	21	50
63		85	77	15.5	79	71	10.5	15	15	20	28.5	25	77	M10 x 1.5	50	103	7	17	8	21	60
80	25, 50	121	111	18	113.5	103.5	12.5	16	21	25	45	45.5	98	M16 x 2.0	62	132	6	22	10	30	77
	75, 100	136	116	19	136	116	19	19											20		
100	25, 50	132.5	120.5	22	125	113	13	23	27	30	48	49	117	M20 x 2.5	71.5	156	6.5	27	12	30	94
	75, 100	147.5	125.5	23	147.5	125.5	23	23											22		

Bore size [mm]	N	O	P	R	RF	W	WL	Z
32	5.5	9	Rc1/8	7	11	49.5	24	14
40	5.5	9	Rc1/8	7	11	57	24	14
50	6.6	11	Rc1/4	8	11	71	24	19
63	9	14	Rc1/4	10.5	11	84	24	19
80	11	17.5 ^{*1}	Rc3/8	13.5 ^{*1}	21	104	40	26
100	11	17.5 ^{*1}	Rc3/8	13.5 ^{*1}	21	123.5	40	26

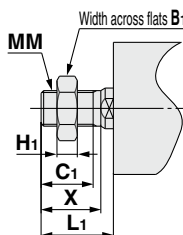
*1 At the 75 and 100 mm strokes with ø80, ø100, both ends tapped (A) is the standard. Through-hole (B) is not available.

Both ends tapped



Bore size [mm]	O ₁	R ₁
32	M6 x 1.0	10
40	M6 x 1.0	10
50	M8 x 1.25	14
63	M10 x 1.5	18
80	M12 x 1.75	22
100	M12 x 1.75	22

Rod end male thread



Bore size [mm]	Standard stroke	B ₁	C ₁	H ₁	L ₁	MM	X
32	10, 15, 20 25, 50 75, 100	22	20.5	8	28.5	M14 x 1.5	23.5
40		22	20.5	8	28.5	M14 x 1.5	23.5
50		27	26	11	33.5	M18 x 1.5	28.5
63		27	26	11	33.5	M18 x 1.5	28.5
80	25, 50					43.5	
	75, 100	32	32.5	13		53.5	M22 x 1.5
100	25, 50					43.5	
	75, 100	41	32.5	16		53.5	M26 x 1.5

Dimensions of Each Mounting Bracket

The dimensions of each mounting bracket are the same as those of the standard type, double acting, single rod (except the configuration of the piston rod). Refer to pages 29 to 33.

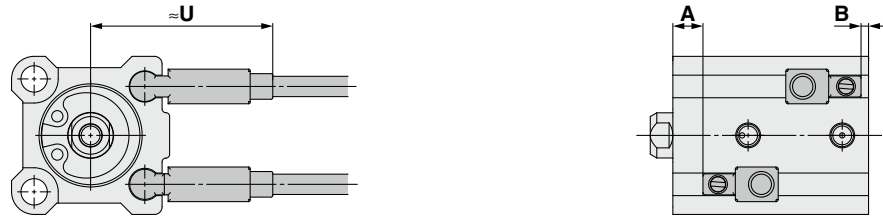
Standard	Double Acting, Single Rod	CQ2
Standard	Double Acting, Double Rod	CQ2W
Standard	Single Acting, Spring Return, End	CQ2
Large Bore Size	Double Acting, Single Rod	CQ2
Large Bore Size	Double Acting, Double Rod	CQ2W
Anti-lateral Load	Double Acting, Single Rod	CQ2□S
Long Stroke	Double Acting, Single Rod	CQ2
Long Stroke	Double Acting, Double Rod	CQ2K
Non-rotating Rod	Double Acting, Single Rod	CQ2KW
Water Resistant	Double Acting, Single Rod	CQ2-R/V
Water Resistant	Double Acting, Double Rod	CQ2W-R/V
Axial Piping	Double Acting, Single Rod	CQP2
Axial Piping	Single Acting, Spring Return, End	CQP2
With End Lock	Double Acting, Single Rod	CBQ2
Auto Switch		Auto Switch
Made to Order		Made to Order

Compact Cylinder CDQ2 Series Auto Switch Mounting

Auto Switch Proper Mounting Position (Detection at stroke end) and Mounting Height

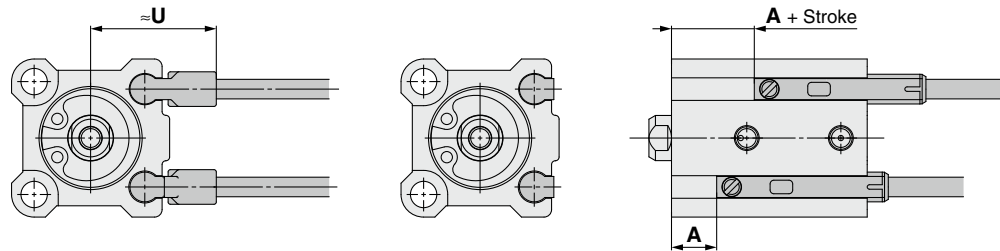
D-F8□

Applicable cylinder series: CDQ2
ø6, ø10



D-M9□
D-M9□V
D-M9□W
D-M9□WV
D-M9□A
D-M9□AV

Applicable cylinder series: CDQ2
ø6, ø10

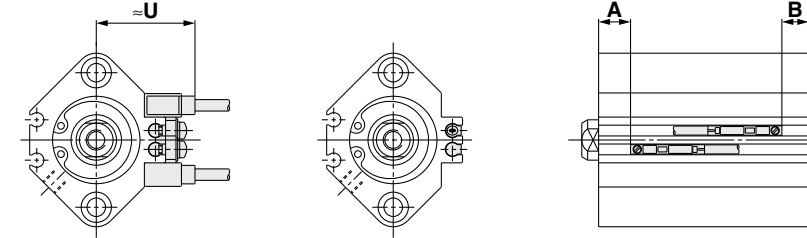


Auto Switch Proper Mounting Position (Detection at stroke end) and Mounting Height

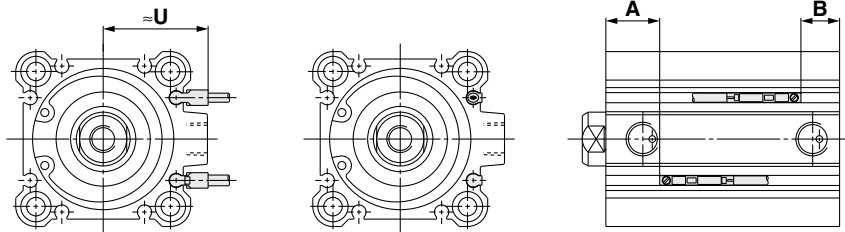
- D-M9□
- D-M9□V
- D-M9□W
- D-M9□WV
- D-M9□A
- D-M9□AV
- D-A9□
- D-A9□V

Applicable cylinder series: CDQ2, CDQ2W, CDQ2-S/T (Single acting), CDQ2, CDQ2W (Large bore size), CDQ2□S (Anti-lateral load), CDQ2 (Long stroke), CDQ2K, CDQ2KW (Non-rotating rod), CDQ2□R/□V, CDQ2W□R/□V (Water resistant)

ø12 to ø25

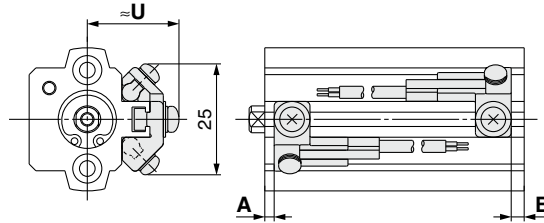


ø32 to ø200

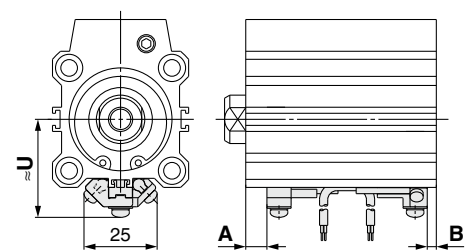


Applicable cylinder series: CDQP2, CDQP2-S/T (Axial piping)

ø12 to ø25

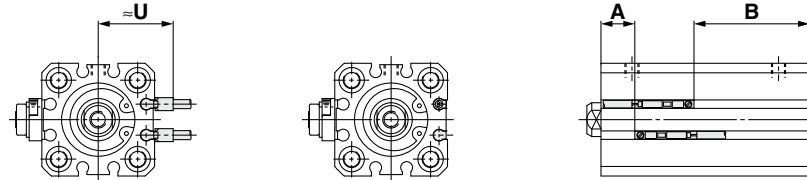


ø32 to ø100

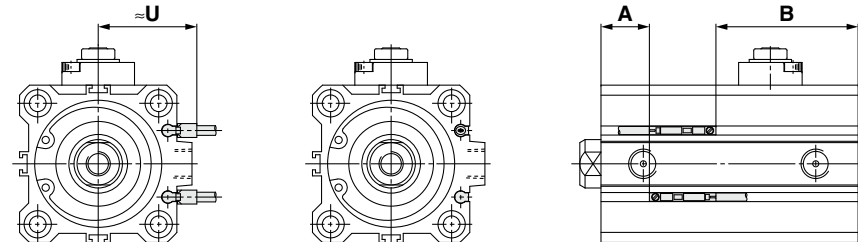


Applicable cylinder series: CDBQ2 (With end lock)

ø20, ø25



ø32 to ø100



Standard	Double Acting, Single Rod	CQ2
Standard	Double Acting, Double Rod	CQ2W
Standard	Single Acting, Spring Return, Single Rod	CQ2
Standard	Double Acting, Spring Return, Double Rod	CQ2W
Large Bore Size	Double Acting, Single Rod	CQ2
Large Bore Size	Double Acting, Double Rod	CQ2W
Anti-lateral Load	Double Acting, Single Rod	CQ2□S
Anti-lateral Load	Double Acting, Double Rod	CQ2□S
Long Stroke	Double Acting, Single Rod	CQ2
Long Stroke	Double Acting, Double Rod	CQ2W
Non-rotating Rod	Double Acting, Single Rod	CQ2K
Non-rotating Rod	Double Acting, Double Rod	CQ2KW
Water Resistant	Double Acting, Single Rod	CQ2-R/V
Water Resistant	Double Acting, Double Rod	CQ2W-R/V
Axial Piping	Double Acting, Single Rod	CQP2
Axial Piping	Double Acting, Double Rod	CQP2
Axial Piping	Single Acting, Spring Return, Single Rod	CQP2
With End Lock	Double Acting, Single Rod	CBQ2
With End Lock	Double Acting, Double Rod	CBQ2
Auto Switch		
Made to Order		

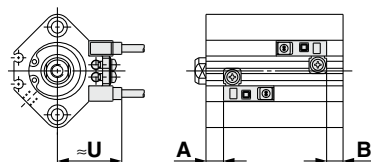
CDQ2 Series

Auto Switch Proper Mounting Position (Detection at stroke end) and Mounting Height

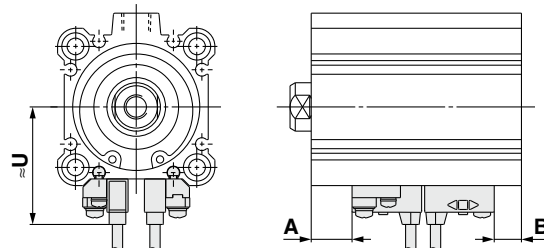
- | | |
|--------|---------|
| D-A7□ | D-F7□V |
| D-A80 | D-J79C |
| D-A7□H | D-F7□W |
| D-A80H | D-J79W |
| D-A73C | D-F7□WV |
| D-A80C | D-F7BAV |
| D-F7□ | D-F7BA |
| D-F79F | D-F7NT |
| D-J79 | D-A79W |

Applicable cylinder series: CDQ2, CDQ2W, CDQ2-S/T (Single acting), CDQ2, CDQ2W (Large bore size), CDQ2□S (Anti-lateral load), CDQ2 (Long stroke), CDQ2K, CDQ2KW (Non-rotating rod), CDQ2□R/□V, CDQ2W□R/□V (Water resistant)

ø12 to ø25

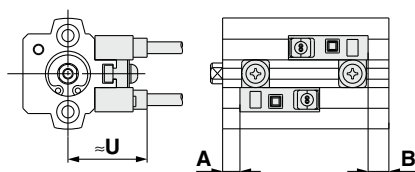


ø32 to ø160

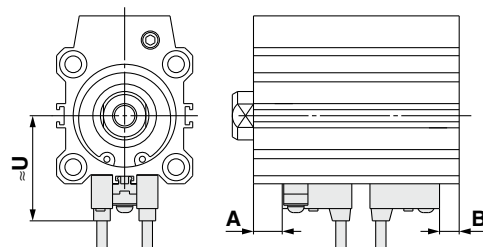


Applicable cylinder series: CDQP2, CDQP2-S/T (Axial piping)

ø12 to ø25

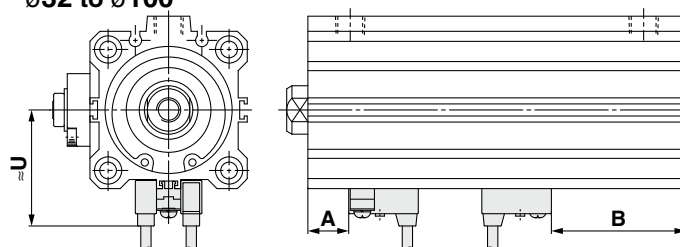


ø32 to ø100



Applicable cylinder series: CDBQ2 (With end lock)

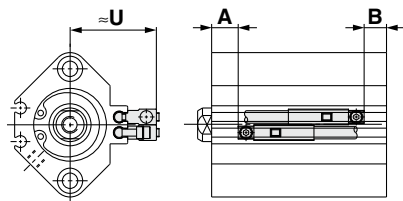
ø32 to ø100



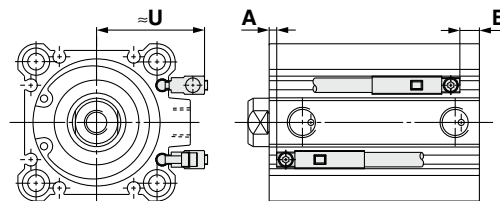
D-P3DWA

Applicable cylinder series: CDQ2, CDQ2W, CDQ2-S/T (Single acting), CDQ2, CDQ2W (Large bore size), CDQ2□S (Anti-lateral load), CDQ2 (Long stroke), CDQ2K, CDQ2KW (Non-rotating rod), CDQ2□R/□V, CDQ2W□R/□V (Water resistant)

ø25

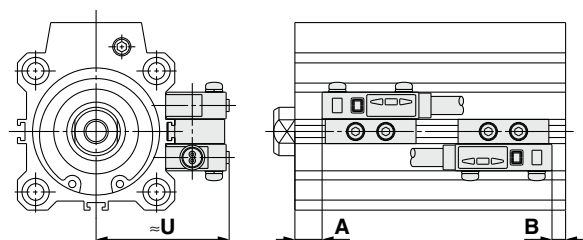


ø32 to ø200

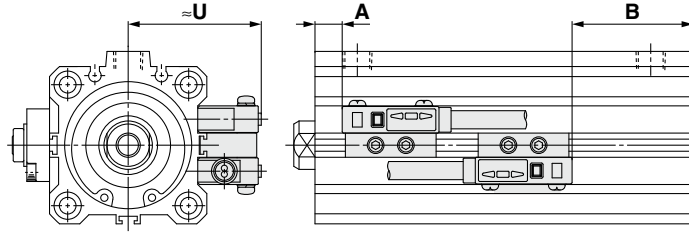


D-P4DW

Applicable cylinder series: CDQP2, CDQP2-S/T (Axial piping)
ø40 to ø100



Applicable cylinder series: CDBQ2 (With end lock)
ø40 to ø100



Auto Switch Proper Mounting Position * Adjust the auto switch after confirming the operating conditions in the actual setting.

Applicable Cylinder Series: CDQ2 (Double acting, Single rod) [mm]

Auto switch model	D-F8□		D-M9□ D-M9□V D-M9□W D-M9□WV D-M9□A D-M9□AV
	A	B	A
Bore size	2	1	4
6	4	1	6
10			

Applicable Cylinder Series: CDQ2 (Double acting, Single rod), CDQ2-S/T (Single acting) [mm]

Auto switch model	D-M9□ D-M9□V D-M9□W D-M9□WV D-M9□A D-M9□AV		D-A9□ D-A9□V		D-A73 D-A80		D-A72/A7□H/A80H D-A73C/A80C/F7□ D-F79F/J79/F7□V D-J79C/F7□W D-J79W/F7□WV D-F7BAV/F7BA		D-F7NT		D-A79W		D-P3DWA	
	A	B	A	B	A	B	A	B	A	B	A	B	A	B
Bore size	7.5	8.5 (13)	3.5	4.5 (9)	4.5	5.5 (10)	5	6 (10.5)	10	11 (15.5)	2	3 (7.5)	—	—
12	10.5 (8.5)	8 (10)	6.5 (4.5)	4 (6)	7.5 (5.5)	5 (7)	8	5.5 (7.5)	13 (11)	10.5 (12.5)	5 (3)	2.5 (4.5)	—	—
16	10.5	9	6.5	5	7.5	6	8	6.5	13	11.5	5	3.5	—	—
20	11	9.5	7	5.5	8	6.5	8.5	7	13.5	12	5.5	4	5	3.5
25	12	9	8	5	9	6	9.5	6.5	14.5	11.5	6.5	3.5	7.5	4.5
32	16	11.5	12	7.5	13	8.5	13.5	9	18.5	14	10.5	6	11.5	7
40	14	14.5	10	10.5	11	11.5	11.5	12	16.5	17	8.5	9	9.5	10
50	16.5	17.5	12.5	13.5	13.5	14.5	14	15	19	20	11	12	12	13
63	19.5	22	15.5	18	16.5	19	17	19.5	22	24.5	14	16.5	15	17.5
80	24	27	20	23	21	24	21.5	24.5	26.5	29.5	18.5	21.5	19.5	22.5
100														

* (): For the single acting, spring extend type

* Excludes the D-P3DW for the CDQ2-S/T

Applicable Cylinder Series: CDQ2W (Double acting, Double rod) [mm]

Auto switch model	D-M9□ D-M9□V D-M9□W D-M9□WV D-M9□A D-M9□AV		D-A9□ D-A9□V		D-A73 D-A80		D-A72/A7□H/A80H D-A73C/A80C/F7□ D-F79F/J79/F7□V D-J79C/F7□W D-J79W/F7□WV D-F7BAV/F7BA		D-F7NT		D-A79W		D-P3DWA	
	A	B	A	B	A	B	A	B	A	B	A	B	A	B
Bore size	7.5	13	3.5	9	4.5	10	5	10.5	10	15.5	2	7.5	—	—
12	10.5	13.5	6.5	9.5	7.5	10.5	8	11	13	16	5	8	—	—
16	10.5	15.5	6.5	11.5	7.5	12.5	8	13	13	18	5	10	—	—
20	11	16	7	12	8	13	8.5	13.5	13.5	18.5	5.5	10.5	5	10
25	12	16.5	8	12.5	9	13.5	9.5	14	14.5	19	6.5	11	7.5	12
32	16	22	12	18	13	19	13.5	19.5	18.5	24.5	10.5	16.5	11.5	17.5
40	14	24.5	10	20.5	11	21.5	11.5	22	16.5	27	8.5	19	9.5	20
50	16.5	23.5	12.5	19.5	13.5	20.5	14	21	19	26	11	18	12	19
63	19.5	29.5	15.5	25.5	16.5	26.5	17	27	22	32	14	24	15	25
80	24	34.5	20	30.5	21	31.5	21.5	32	26.5	37	18.5	29	19.5	30
100														

Applicable Cylinder Series: CDQ2, CDQ2W (Large bore size) [mm]

Auto switch model	D-M9□ D-M9□V D-M9□W D-M9□WV D-M9□A D-M9□AV		D-A9□ D-A9□V		D-A73 D-A80		D-A72/A7□H/A80H D-A73C/A80C D-F7□/F7□V D-F79F/F7□W D-F7□WV/J79 D-J79W/J79C D-F7BA D-F7BAV		D-F7NT		D-A79W		D-P3DWA	
	A	B	A	B	A	B	A	B	A	B	A	B	A	B
Bore size	34	34	30	30	32.5	32.5	33	33	38	38	30	30	29.5	29.5
125	34	34	30	30	32.5	32.5	33	33	38	38	30	30	29.5	29.5
140	38	38	34	34	36.5	36.5	37	37	42	42	34	34	33.5	33.5
160	44.5	44.5	40.5	40.5	—	—	—	—	—	—	—	—	40	40
180	47.5	47.5	43.5	43.5	—	—	—	—	—	—	—	—	43	43
200														

Standard
Double Acting, Single Rod
CQ2

Standard
Double Acting, Double Rod
CQ2W

Standard
Single Acting, Spring Return Extend
CQ2

Large Bore Size
Double Acting, Single Rod
CQ2

Large Bore Size
Double Acting, Double Rod
CQ2W

Anti-lateral Load
Double Acting, Single Rod
CQ2S

Long Stroke
Double Acting, Single Rod
CQ2

Non-rotating Rod
Double Acting, Single Rod
CQ2K

Non-rotating Rod
Double Acting, Double Rod
CQ2KW

Water Resistant
Double Acting, Single Rod
CQ2-RV

Water Resistant
Double Acting, Double Rod
CQ2W-RV

Axial Piping
Double Acting, Single Rod
CQP2

Axial Piping
Single Acting, Spring Return Extend
CQP2

With End Lock
Double Acting, Single Rod
CBQ2

Auto Switch

Made to Order

CDQ2 Series

Auto Switch Proper Mounting Position * Adjust the auto switch after confirming the operating conditions in the actual setting.

Applicable Cylinder Series: CDQ2□S (Anti-lateral load)

[mm]

Auto switch model	D-M9□ D-M9□V D-M9□W D-M9□WV D-M9□A D-M9□AV		D-A9□ D-A9□V		D-A73 D-A80		D-A72/A7□H/A80H D-A73C/A80C/F7□ D-F79F/J79/F7□V D-J79C/F7□W D-J79W/F7□WV D-F7BAV/F7BA		D-F7NT		D-A79W		D-P3DWA	
	A	B	A	B	A	B	A	B	A	B	A	B	A	B
Bore size 32	18	13	14	9	15	10	15.5	10.5	20.5	15.5	12.5	7.5	13.5	8.5
40	21.5	16	17.5	12	18.5	13	19	13.5	24	18.5	16	10.5	17	11.5
50	19	19.5	15	15.5	16	16.5	16.5	17	21.5	22	13.5	14	14.5	15
63	21.5	22.5	17.5	18.5	18.5	19.5	19	20	24	25	16	17	17	18
80	24.5	27	20.5	23	21.5	24	22	24.5	27	29.5	19	21.5	20	22.5
100	27.5	33.5	23.5	29.5	24.5	30.5	25	31	30	36	22	28	23	29

Applicable Cylinder Series: CDQ2 (Long stroke)

[mm]

Auto switch model	D-M9□ D-M9□V D-M9□W D-M9□WV D-M9□A D-M9□AV		D-A9□ D-A9□V		D-A73 D-A80		D-A72/A7□H/A80H D-A73C/A80C/F7□ D-F79F/J79/F7□V D-J79C/F7□W D-J79W/F7□WV D-F7BAV/F7BA		D-F7NT		D-A79W		D-P3DWA	
	A	B	A	B	A	B	A	B	A	B	A	B	A	B
Bore size 32	12.5	20.5	8.5	16.5	9.5	17.5	10	18	15	23	7	15	8	16
40	16	26.5	12	22.5	13	23.5	13.5	24	18.5	29	10.5	21	11.5	22
50	14	29.5	10	25.5	11	26.5	11.5	27	16.5	32	8.5	24	9.5	25
63	16.5	28.5	12.5	24.5	13.5	25.5	14	26	19	31	11	23	12	24
80	19.5	34.5	15.5	30.5	16.5	31.5	17	32	22	37	14	29	15	30
100	22.5	41	18.5	37	19.5	38	20	38.5	25	43.5	17	35.5	18	36.5

Applicable Cylinder Series: CDQ2K (Non-rotating rod)

[mm]

Auto switch model	D-M9□ D-M9□V D-M9□W D-M9□WV D-M9□A D-M9□AV		D-A9□ D-A9□V		D-A73 D-A80		D-A72/A7□H/A80H D-A73C/A80C/F7□ D-F79F/J79/F7□V D-J79C/F7□W D-J79W/F7□WV D-F7BAV/F7BA		D-F7NT		D-A79W		D-P3DWA	
	A	B	A	B	A	B	A	B	A	B	A	B	A	B
Bore size 12	12.5	8.5	8.5	4.5	9.5	5.5	10	6	15	11	7	3	—	—
16	15.5	8	11.5	4	12.5	5	13	5.5	18	10.5	10	2.5	—	—
20	18.5	9	14.5	5	15.5	6	16	6.5	21	11.5	13	3.5	—	—
25	19	9.5	15	5.5	16	6.5	16.5	7	21.5	12	13	4	13	3.5
32	21	9	17	5	18	6	18.5	6.5	23.5	11.5	15.5	3.5	16.5	4.5
40	16	11.5	12	7.5	13	8.5	13.5	9	18.5	14	10.5	6	11.5	7
50	14	14.5	10	10.5	11	11.5	11.5	12	16.5	17	8.5	9	9.5	10
63	16.5	17.5	12.5	13.5	13.5	14.5	14	15	19	20	11	12	12	13

Applicable Cylinder Series: CDQ2KW (Non-rotating rod, Double rod)

[mm]

Auto switch model	D-M9□ D-M9□V D-M9□W D-M9□WV D-M9□A D-M9□AV		D-A9□ D-A9□V		D-A73 D-A80		D-A72/A7□H/A80H D-A73C/A80C/F7□ D-F79F/J79/F7□V D-J79C/F7□W D-J79W/F7□WV D-F7BAV/F7BA		D-F7NT		D-A79W		D-P3DWA	
	A	B	A	B	A	B	A	B	A	B	A	B	A	B
Bore size 12	13	13	9	9	9.5	10	10	10.5	15	15.5	7.5	7.5	—	—
16	15.5	13.5	11.5	9.5	12.5	10.5	13	11	18	16	10	8	—	—
20	18.5	15.5	14.5	11.5	15.5	12.5	16	13	21	18	13	10	—	—
25	19	16	15	12	16	13	16.5	13.5	21.5	18.5	13.5	10.5	13	10
32	21	16.5	17	12.5	18	13.5	18.5	14	23.5	19	15.5	11	16.5	12
40	16	22	12	18	13	19	13.5	19.5	18.5	24.5	10.5	16.5	11.5	17.5
50	14	24.5	10	20.5	11	21.5	11.5	22	16.5	27	8.5	19	9.5	20
63	16.5	23.5	12.5	19.5	13.5	20.5	14	21	19	26	11	18	12	19

Auto Switch Proper Mounting Position * Adjust the auto switch after confirming the operating conditions in the actual setting.

Applicable Cylinder Series: CDQ2□R/□V (Water resistant) [mm]

Auto switch model \ Bore size	D-M9□A D-M9□AV		D-F7BA D-F7BAV	
	A	B	A	B
20	19	7.5	18	6.5
25	19.5	8	18	7
32	22	9	19.5	6.5
40	16	11.5	13.5	9
50	14	14.5	11.5	12
63	16.5	17.5	14	15
80	19.5	22	17	19.5
100	24	27	21.5	24.5

Applicable Cylinder Series: CDQ2W□R/□V (Water resistant, Double rod) [mm]

Auto switch model \ Bore size	D-M9□A D-M9□AV		D-F7BA D-F7BAV	
	A	B	A	B
40	16	22	13.5	19.5
50	14	24.5	11.5	22
63	16.5	23.5	14	21
80	19.5	29.5	17	27
100	24	34.5	21.5	32

Applicable Cylinder Series: CDQP2 (Axial piping), CDQP2-S/T (Axial piping, Single acting) [mm]

Auto switch model \ Bore size	D-M9□ D-M9□V D-M9□W D-M9□WV D-M9□A D-M9□AV		D-A9□ D-A9□V		D-A73 D-A80		D-A72/A7□H/A80H D-A73C/A80C/F7□ D-F79F/J79/F7□V D-J79C/F7□W D-J79W/F7□WV D-F7BAV/F7BA		D-F7NT		D-A79W		D-P4DW	
	A	B	A	B	A	B	A	B	A	B	A	B	A	B
12	6	7 (11)	2	3 (7)	4.5	5.5 (10)	5	6 (10.5)	10	11 (15.5)	2	3 (7.5)	—	—
16	9	6.5 (8.5)	5	2.5 (4.5)	7.5	5 (7)	8	5.5 (7.5)	13	10.5 (12.5)	5	2.5 (4.5)	—	—
20	9	7.5	5	3.5	7.5	6.5	8	7	13	12	5	4	—	—
25	9.5	8	5.5	4	7.5	7	8	7.5	13	12.5	5	4.5	—	—
32	10.5	7.5	6.5	3.5	9	6	9.5	6.5	14.5	11.5	6.5	3.5	—	—
40	14.5	10	10.5	6	13	8.5	13.5	9	18.5	14	10.5	6	9	4.5
50	12.5	13	8.5	9	11	11.5	11.5	12	16.5	17	8.5	9	7	7.5
63	15	16	11	12	13.5	14.5	14	15	19	20	11	12	9.5	10.5
80	18	20.5	14	16.5	17.5	18	18	18.5	23	23.5	15	15.5	13.5	14
100	22.5	25.5	18.5	21.5	21	24	21.5	24.5	26.5	29.5	18.5	21.5	17	20

* (): For the single acting, spring extend type
 * Excludes the D-P4DW for the CDQP2-S/T

With End Lock	Double Acting, Single Rod	CBQ2
Axial Piping	Double Acting, Single Rod	CQP2
	Single Acting, Spring Return-Extend	CQP2
Water Resistant	Double Acting, Double Rod	CQ2W-RV
	Double Acting, Single Rod	CQ2-RV
Non-rotating Rod	Double Acting, Double Rod	CQ2KW
	Double Acting, Single Rod	CQ2K
Long Stroke	Double Acting, Single Rod	CQ2
	Double Acting, Double Rod	CQ2W
Anti-lateral Load	Double Acting, Single Rod	CQ2S
	Double Acting, Double Rod	CQ2W
Large Bore Size	Double Acting, Single Rod	CQ2
	Double Acting, Double Rod	CQ2W
Standard	Double Acting, Single Rod	CQ2
	Double Acting, Double Rod	CQ2W
	Single Acting, Spring Return-Extend	CQ2
	Double Acting, Single Rod	CQ2
	Double Acting, Double Rod	CQ2W
	Auto Switch	Auto Switch
	Made to Order	Made to Order

CDQ2 Series

Auto Switch Proper Mounting Position * Adjust the auto switch after confirming the operating conditions in the actual setting.

Applicable Cylinder Series: CDBQ2 (With end lock)

[mm]

Auto switch model	D-M9□ D-M9□V D-M9□W D-M9□WV D-M9□A D-M9□AV		D-A9□ D-A9□V		D-A7□ D-A80		D-A7□H/A80H D-A73C/A80C D-F7□/F79F/J79 D-F7□V/J79C D-F7□W/J79W D-F7□WV/F7BA D-F7BAV/F7NT		D-A79W		D-P4DW	
	A	B	A	B	A	B	A	B	A	B	A	B
20 (Head end lock)	10 (11)	39 (43)	6 (7)	35 (39)	—	—	—	—	—	—	—	—
20 (Rod end lock)	35.5 (38)	7 (16)	31.5 (34)	3 (12)	—	—	—	—	—	—	—	—
25 (Head end lock)	12 (14)	41 (43)	8 (10)	37 (39)	—	—	—	—	—	—	—	—
25 (Rod end lock)	36 (39)	9.5 (18)	32 (35)	5.5 (14)	—	—	—	—	—	—	—	—
32 (Head end lock)	12	41.5	8	37.5	9	38.5	9.5	39	6.5	36	—	—
32 (Rod end lock)	39	7	35	3	36	4	36.5	4.5	33.5	1.5	—	—
40 (Head end lock)	16	47	12	43	13	44	13.5	44.5	10.5	41.5	9	40
40 (Rod end lock)	45	7.5	41	3.5	42	4.5	42.5	5	39.5	2	38	0.5
50 (Head end lock)	14	49.5	10	45.5	11	46.5	11.5	47	8.5	44	7	42.5
50 (Rod end lock)	44.5	9	40.5	5	41.5	6	42	6.5	39	3.5	37.5	2
63 (Head end lock)	16.5	48.5	12.5	44.5	13.5	45.5	14	46	11	43	9.5	41.5
63 (Rod end lock)	48.5	10.5	44.5	6.5	45.5	7.5	46	8	43	5	41.5	3.5
80 (Head end lock)	19.5 (24.5)	79.5 (79.5)	15.5 (20.5)	75.5 (75.5)	16.5 (21.5)	76.5 (76.5)	17 (22)	77 (77)	14 (19)	74 (74)	12.5 (17.5)	72.5 (72.5)
80 (Rod end lock)	69.5 (69.5)	22 (34.5)	65.5 (65.5)	18 (30.5)	66.5 (66.5)	19 (31.5)	67 (67)	19.5 (32)	64 (64)	16.5 (29)	62.5 (62.5)	15 (27.5)
100 (Head end lock)	24 (29)	84.5 (84.5)	20 (25)	80.5 (80.5)	21 (26)	81.5 (81.5)	21.5 (26.5)	82 (82)	18.5 (23.5)	79 (79)	17 (22)	77.5 (77.5)
100 (Rod end lock)	74 (72.5)	27 (41)	70 (68.5)	23 (37)	71 (69.5)	24 (38)	71.5 (70)	24.5 (38.5)	68.5 (67)	21.5 (35.5)	67 (65.5)	20 (34)

* The dimensions in parentheses for ø20 and ø25 are for 50, 75 and 100 mm strokes, and the dimensions in parentheses for ø80 and ø100 are for 75 and 100 mm strokes.

Auto Switch Mounting Height * Adjust the auto switch after confirming the operating conditions in the actual setting.

Applicable Cylinder Series: CDQ2, CDQ2W, CDQ2-S/T (Single acting), CDQ2□S (Anti-lateral load), CDQ2 (Long stroke), CDQ2K, CDQ2KW (Non-rotating rod), CDQ2□R/□V, CDQ2W□R/□V (Water resistant)

[mm]

Auto switch model	D-M9□V D-M9□WV D-M9□AV	D-A9□V	D-F7□/J79 D-F7□W/J79W D-F7BA D-F79F/F7NT D-A7□H/A80H	D-F7□V D-F7□WV D-F7BAV	D-J79C	D-A7□ D-A80	D-A73C D-A80C	D-A79W	D-P3DWA
	U	U	U	U	U	U	U	U	U
12	21.5	19	21.5	23.5	26.5	21	27.5	24.5	—
16	22.5	20	22.5	24.5	27.5	22	28.5	25.5	—
20	25	23	25.5	27.5	30	24.5	31	28	—
25	28	26	28	30.5	32.5	27.5	34	31	33.5
32	30	27.5	36	36.5	39.5	34	40.5	37.5	35.5
40	32	30	38	40	42.5	37.5	43.5	40.5	38
50	37.5	35	43.5	45	48	43	49	46	43
63	42.5	40.5	48.5	50.5	53.5	48	54.5	51.5	48
80	51	49	57	59	61.5	56.5	62.5	59.5	56.5
100	59	57	65.5	67	70	64.5	71	68	65

* The applicable auto switches for the CDQ2□R/□V (water resistant) are the D-M9□A(V) type only.

* Excludes the D-P3DW for the CDQ2-S/T (Single acting)

Applicable Cylinder Series: CDQ2, CDQ2W (Large bore size)

[mm]

Auto switch model	D-M9□V D-M9□WV D-M9□AV	D-A9□V	D-F7□/J79 D-F7□W/J79W D-F7BA D-F79F/F7NT D-A7□H/A80H	D-F7□V D-F7□WV D-F7BAV	D-J79C	D-A7□ D-A80	D-A73C D-A80C	D-A79W	D-P3DWA
	U	U	U	U	U	U	U	U	U
125	69.5	67.5	76.5	79	81	75.5	82.5	78	77
140	76.5	74.5	83.5	86	88	82.5	89.5	85	84
160	85.5	83.5	92.5	95	97	91.5	98.5	94	93
180	105.5	103.5	—	—	—	—	—	—	102
200	112.5	110.5	—	—	—	—	—	—	110

Auto Switch Mounting Height * Adjust the auto switch after confirming the operating conditions in the actual setting.

Applicable Cylinder Series: CDQ2 (Double acting, Single rod) [mm]

Auto switch model	D-F8□	D-M9□ D-M9□V D-M9□W D-M9□WV D-M9□A D-M9□AV
Bore size	U	U
6	22	14.5
10	24.5	17

Applicable Cylinder Series: CDQP2, CDQP2-S/T (Axial piping) [mm]

Auto switch model	D-M9□ D-M9□V D-M9□W D-M9□WV D-M9□A D-M9□AV D-A9□ D-A9□V	D-A7□H D-A80H D-F7□ D-F79F D-J79 D-F7□W D-J79W D-F7BA D-F7NT	D-F7□V D-F7□WV D-F7BAV	D-J79C	D-A7□ D-A80	D-A73C D-A80C	D-A79W	D-P4DW
Bore size	U	U	U	U	U	U	U	U
12	20.5	20.5	23	26	19.5	26.5	22	—
16	23.5	23.5	26	29	22.5	29.5	25	—
20	25.5	25.5	28	31	24.5	31.5	27	—
25	28.5	28.5	31	34	27.5	34.5	30	—
32	32.5	32.5	35	38	31.5	38.5	34	—
40	36	36	38.5	41.5	35	42	37.5	44
50	42	42	44.5	47.5	41	48	43.5	50
63	48.5	48.5	51	54	47.5	54.5	50	56.5
80	58.5	58.5	61	64	57.5	64.5	60	66.5
100	68.5	68.5	71	74	67.5	74.5	70	76.5

* Excludes the D-P4DW for the CDQP2-S/T (Single acting)

Applicable Cylinder Series: CDBQ2 (With end lock) [mm]

Auto switch model	D-M9□V D-M9□WV D-M9□AV	D-A9□V	D-A7□H D-A80H/F7□ D-F79F/J79 D-F7□W/J79W D-F7BA/F7NT	D-F7□V D-F7□WV D-F7BAV	D-J79C	D-A7□ D-A80	D-A73C D-A80C	D-A79W	D-P4DW
Bore size	U	U	U	U	U	U	U	U	U
20	24.5	22.5	—	—	—	—	—	—	—
25	26.5	24.5	—	—	—	—	—	—	—
32	29	27	32.5	35	38	31.5	38.5	34	—
40	32.5	30.5	36	38.5	41.5	35	42	37.5	44
50	38.5	36.5	42	44.5	47.5	41	48	43.5	50
63	42	40	48.5	51	54	47.5	54.5	50	56.5
80	52	50	58.5	61	64	57.5	64.5	60	66.5
100	62	60	68.5	71	74	67.5	74.5	70	76.5

Standard	Double Acting, Single Rod	CQ2
Standard	Double Acting, Double Rod	CQ2W
Standard	Single Acting, Spring Return-Extend	CQ2
Large Bore Size	Double Acting, Single Rod	CQ2
Large Bore Size	Double Acting, Double Rod	CQ2W
Anti-lateral Load	Double Acting, Single Rod	CQ2□S
Long Stroke	Double Acting, Single Rod	CQ2
Long Stroke	Double Acting, Double Rod	CQ2K
Non-rotating Rod	Double Acting, Single Rod	CQ2KW
Non-rotating Rod	Double Acting, Double Rod	CQ2KW
Water Resistant	Double Acting, Single Rod	CQ2-RV
Water Resistant	Double Acting, Double Rod	CQ2W-RV
Axial Piping	Double Acting, Single Rod	CQP2
Axial Piping	Single Acting, Spring Return-Extend	CQP2
With End Lock	Double Acting, Single Rod	CBQ2
Auto Switch	Auto Switch	Auto Switch
Made to Order	Made to Order	Made to Order

CDQ2 Series

Minimum Stroke for Auto Switch Mounting * Adjust the auto switch after confirming the operating conditions in the actual setting.

Applicable Cylinder Series: CDQ2 [mm]

Number of auto switches	D-F8□ D-M9□ D-M9□V	D-M9□W D-M9□WV D-M9□A D-M9□AV
With 1 pc.	5	5
With 2 pcs.	5	10

* The table above is for the CDQ2B6/10.

Applicable Cylinder Series: CDQ2, CDQ2W, CDQ2-S/T (Single acting), CDQ2□S (Anti-lateral load), CDQ2 (Long stroke), CDQ2K, CDQ2KW (Non-rotating rod), CDQ2□R/□V, CDQ2W□R/□V (Water resistant), CDQP2, CDQP2-S/-T (Axial piping), CDBQ2 (With end lock) [mm]

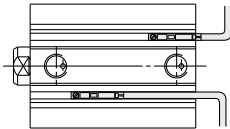
Number of auto switches	D-M9□V D-F7□V D-J79C	D-A9□V D-A7□ D-A80 D-A73C D-A80C	D-A9□	D-M9□WV D-M9□AV D-F7□WV D-F7BAV	D-M9□ D-F7□ D-J79	D-M9□W D-M9□A	D-A7□H D-A80H	D-A79W	D-F7□W D-J79W D-F7BA D-F79F D-F7NT	D-P3DWA	D-P4DW
With 1 pc.	5	5	10 (5)	10	15 (5)	15 (10)	15 (5)	15	20 (10)	15	15
With 2 pcs.	5	10	10	15	15 (5)	15	15 (10)	20	20 (15)	15	15

* The applicable auto switches for the CDQ2□R/□V (water resistant) are the D-M9□A(V) type only.

Applicable Cylinder Series: CDQ2, CDQ2W (Large bore size) [mm]

Number of auto switches	D-M9□ D-M9□V D-F7□ D-F7□V D-J79 D-J79C	D-A9□ D-A9□V D-A7□ D-A80 D-A73C D-A80C D-A7□H D-A80H	D-M9□W D-M9□WV D-M9□A D-M9□AV	D-F7□W D-F7□WV D-J79W D-F7BA D-F7BAV D-F7NT D-F79F D-P3DWA	D-A79W
With 1 pc.	5	5	10	15	15
With 2 pcs.	5	10	15	20	20

* The dimension stated in () shows the minimum stroke for the auto switch mounting when the auto switch does not project from the end surface of the cylinder body and hinder the lead wire bending space. (Refer to the figure below.) The auto switch and auto switch mounting bracket are ordered separately.



* The applicable auto switch for the CDQP2 and CDBQ2 (With end lock) is the D-P4DW type only.

* Excludes the D-P4DW for the CDQP2-S/T (Single acting)

Operating Range * Adjust the auto switch after confirming the operating conditions in the actual setting.

Applicable Cylinder Series: CDQ2 [mm]

Auto switch model	Bore size	
	6	10
D-F8□	2	2.5
D-M9□(V) D-M9□W(V) D-M9□A(V)	3	3.5

* Values which include hysteresis are for reference purposes only. They are not a guarantee (assuming approximately ±30% dispersion) and may change substantially depending on the ambient environment.

Applicable Cylinder Series: CDQ2, CDQ2W, CDQ2-S/T (Single acting), CDQ2□S (Anti-lateral load), CDQ2 (Long stroke), CDQ2K, CDQ2KW (Non-rotating rod), CDQ2□R/□V, CDQ2W□R/□V (Water resistant) [mm]

Auto switch model	Bore size														
	12	16	20	25	32	40	50	63	80	100	125	140	160	180	200
D-M9□(V) D-M9□W(V) D-M9□A(V)	3	5	5.5	5.5	5	5	6	6.5	7	7.5	7.5	8	7.5	7.5	8.5
D-A9□(V)	7.5	9.5	10	9	9	9.5	9.5	11	10.5	10.5	13.5	12.5	12	13	12.5
D-A7□(H)(C) D-A80□(H)(C)	9.5	12	12	11	10.5	11.5	11	13	11.5	11.5	16.5	15	14.5	—	—
D-A79W	13	14.5	15.5	14	14	15.5	14.5	17	15	15.5	19.5	18	17.5	—	—
D-F7□(V) D-J79(C) D-F7□W(V) D-F7BA(V) D-F7NT D-F79F	4.5	5.5	5	5	5	5	5	6	7	8	7.5	7.5	7.5	—	—
D-P3DWA	—	—	—	5.5	6	6	7	7.5	7.5	7.5	8.5	8.5	9	8	8.5

* Values which include hysteresis are for reference purposes only. They are not a guarantee (assuming approximately ±30% dispersion) and may change substantially depending on the ambient environment.

* The applicable auto switches for the CDQ2□R/□V (water resistant) are the D-M9□A(V) type only.

* Excludes the D-P3DW for the CDQ2-S/T (Single acting)

Applicable Cylinder Series: CDQP2, CDQP2-S/T (Axial piping) [mm]

Auto switch model	Bore size									
	12	16	20	25	32	40	50	63	80	100
D-M9□(V) D-M9□W(V) D-M9□A(V)	3.5	5	5	5	5.5	5.5	6	6.5	7	7
D-A9□(V)	7.5	9.5	9	9	9.5	9.5	8.5	11	10	10.5
D-A7□(H)(C) D-A80□(H)(C)	10	12	12	12	12	11	10	12	12	13
D-A79W	13	13	13	13	13	14	14	16	15	17
D-F7□(V) D-J79(C) D-F7□W(V) D-F7BA(V) D-F7NT D-F79F	5.5	6	5.5	5	6	6	6	6.5	6.5	7
D-P4DW	—	—	—	—	—	5	5	5	5	5.5

* Values which include hysteresis are for reference purposes only. They are not a guarantee (assuming approximately ±30% dispersion) and may change substantially depending on the ambient environment.

* Excludes the D-P4DW for the CDQP2-S/T (Single acting)

Standard	Double Acting, Single Rod	CQ2
Standard	Double Acting, Double Rod	CQ2W
Standard	Single Acting, Spring Return, Extend	CQ2
Large Bore Size	Double Acting, Single Rod	CQ2
Large Bore Size	Double Acting, Double Rod	CQ2W
Anti-lateral Load	Double Acting, Single Rod	CQ2□S
Long Stroke	Double Acting, Single Rod	CQ2
Non-rotating Rod	Double Acting, Single Rod	CQ2K
Non-rotating Rod	Double Acting, Double Rod	CQ2KW
Water Resistant	Double Acting, Single Rod	CQ2-R/V
Water Resistant	Double Acting, Double Rod	CQ2W-R/V
Axial Piping	Double Acting, Single Rod	CQP2
Axial Piping	Single Acting, Spring Return, Extend	CQP2
With End Lock	Double Acting, Single Rod	CBQ2
Auto Switch		Auto Switch
Made to Order		Made to Order

CDQ2 Series

Operating Range * Adjust the auto switch after confirming the operating conditions in the actual setting.

Applicable Cylinder Series: CDBQ2 (With end lock)

[mm]

Auto switch model	Bore size							
	20	25	32	40	50	63	80	100
D-M9□(V) D-M9□W(V) D-M9□A(V)	5.5	5.5	6 (5.5)	6 (5.5)	7 (6)	7.5 (6.5)	8 (7)	8.5 (7)
D-A9□(V)	10	10	9.5 (9.5)	9.5 (9.5)	9.5 (8.5)	11.5 (11)	9 (10)	11.5 (10.5)
D-A7□(H)(C) D-A80□(H)(C)	—	—	12	11	10	12	12	13
D-A79W	—	—	13	14	14	16	15	17
D-F7□(V) D-J79(C) D-F7□W(V) D-F7BA(V) D-F7NT D-F79F	—	—	6	6	6	6.5	6.5	7
D-P4DW	—	—	—	5	5	5	5	5.5

* Values which include hysteresis are for reference purposes only. They are not a guarantee (assuming approximately ±30% dispersion) and may change substantially depending on the ambient environment.

* The auto switch mounting bracket BQ2-012 is not used for ø32 or more of the D-A9□(V)/M9□(V)/M9□W(V)/M9□A(V) types. The values above indicate the operating range when mounted with the existing auto switch installation groove.

* The values in parentheses for ø32 or more of the D-A9□(V)/M9□(V)/M9□W(V)/M9□A(V) types indicate the operating range when the auto switch mounting bracket BQ2-012 is used.

Auto Switch Mounting Brackets/Part Nos.

Applicable Cylinder Series: CDQ2, CDQ2W, CDQ2-S/T (Single acting), CDQ2, CDQ2W (Large bore size), CDQ2□S (Anti-lateral load), CDQ2 (Long stroke), CDQ2K, CDQ2KW (Non-rotating rod), CDQ2□R/□V, CDQ2W□R/□V (Water resistant)

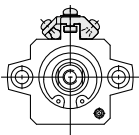
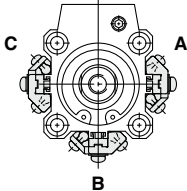
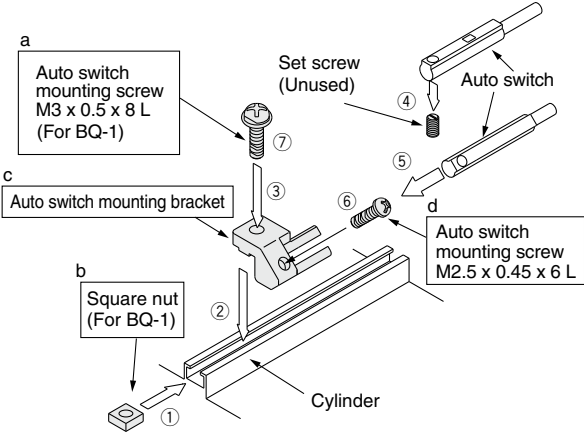
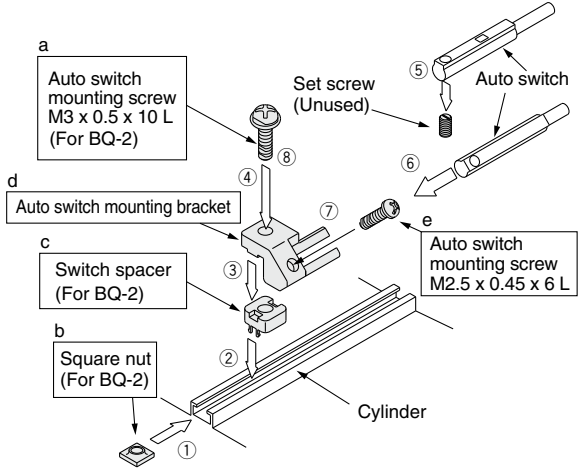
Applicable auto switch	D-F8□	D-M9□/M9□V D-M9□W/M9□WV D-M9□A/M9□AV D-A9□/A9□V	D-F7□/F7□V/J79/J79C/F7□W/J79W/F7□WV D-F7BA/F7BAV/F79F/F7NT D-A7□/A80/A7□H/A80H/A73C/A80C/A79W	D-P3DWA											
Bore size [mm]	ø6, ø10	ø6 to ø200	ø12 to ø25	ø32 to ø160	ø25 to ø200										
Auto switch mounting bracket part no.	—	—	BQ4-012	BQ5-032	—										
Auto switch mounting bracket fitting parts lineup/Weight	—	—	<ul style="list-style-type: none"> Auto switch mounting screw (M2.5 x 8 L) Auto switch mounting nut Weight: 1.5 g 	<ul style="list-style-type: none"> Auto switch fixing screw (M2.5 x 10 L) Auto switch mounting screw (M3 x 8 L) Auto switch spacer Auto switch mounting nut Weight: 3.5 g 	—										
			When requesting the enclosure of the auto switch mounting brackets (2 pcs.) with the cylinder for shipment, add "BQ" to the end of the cylinder model number. Standard model no. +BQ Example) CDQ2B32-30DZ-BQ/ CDQ2B32-30DZ-BQ-XC4 (Made to order)												
Auto switch mounting surface	Surfaces with auto switch mounting slot	Surfaces with auto switch mounting slot	Auto switch mounting rail side only	A/B/C side except port side	Surfaces with auto switch mounting slot										
Mounting of auto switch	<p>• When tightening an auto switch mounting screw, use a watchmaker's screwdriver with a handle diameter of 5 to 6 mm.</p> <table border="1"> <caption>Tightening torque for auto switch mounting screw [N·m]</caption> <thead> <tr> <th>Auto switch model</th> <th>Tightening torque</th> </tr> </thead> <tbody> <tr> <td>D-F8□</td> <td>0.10 to 0.20</td> </tr> </tbody> </table>	Auto switch model	Tightening torque	D-F8□	0.10 to 0.20	<p>• When tightening an auto switch mounting screw, use a watchmaker's screwdriver with a handle diameter of 5 to 6 mm.</p> <table border="1"> <caption>Tightening torque for auto switch mounting screw [N·m]</caption> <thead> <tr> <th>Auto switch model</th> <th>Tightening torque</th> </tr> </thead> <tbody> <tr> <td>D-M9□(V) D-M9□W(V) D-A9□(V)</td> <td>0.05 to 0.15</td> </tr> <tr> <td>D-M9□A(V)</td> <td>0.05 to 0.10</td> </tr> </tbody> </table>	Auto switch model	Tightening torque	D-M9□(V) D-M9□W(V) D-A9□(V)	0.05 to 0.15	D-M9□A(V)	0.05 to 0.10	<ol style="list-style-type: none"> Insert the nut into the auto switch mounting slot on the cylinder tube, and place it in the roughly estimated setting position. Engage the ridge on the auto switch mounting arm with the recess in the cylinder tube rail, and slide it to the position of the nut. Gently screw the auto switch mounting screw into the thread of the auto switch mounting hole on the auto switch mounting arm. Confirm where the mounting position is, and tighten the auto switch mounting screw to fix the auto switch. The tightening torque of the M2.5 screw must be 0.25 to 0.35 N·m. The detection position can be changed under the conditions in step ③. 	<ol style="list-style-type: none"> Insert the nut into the auto switch mounting slot on the cylinder tube, and place it in the roughly estimated setting position. With the lower tapered part of the auto switch spacer facing the outside of the cylinder tube, line up the M2.5 through hole with the M2.5 female thread of the auto switch mounting nut. Gently screw the auto switch mounting nut fixing screw (M2.5) into the thread of the auto switch mounting nut through the mounting hole. Engage the ridge on the auto switch mounting arm with the recess in the auto switch spacer. Tighten the auto switch mounting screw (M3) to fix the auto switch. The tightening torque of the M2.5 screw must be 0.35 to 0.45 N·m. Confirm where the mounting position is, and tighten the auto switch fixing screw (M2.5) to fix the auto switch mounting nut. The tightening torque of the M2.5 screw must be 0.25 to 0.35 N·m. The detection position can be changed under the conditions in step ⑤. 	<ol style="list-style-type: none"> Insert the mounting bracket into the mating groove of the cylinder tube. Check the detecting position of the auto switch and fix the auto switch socket firmly with the hexagon socket head cap screw (M2.5 x 12 L). If the detecting position is changed, go back to step ①. <p>* Ensure that the auto switch is covered with the mating groove to protect the auto switch.</p> <p>* The tightening torque for the hexagon socket head cap screw (M2.5 x 12 L) is 0.2 to 0.3 N·m.</p>
Auto switch model	Tightening torque														
D-F8□	0.10 to 0.20														
Auto switch model	Tightening torque														
D-M9□(V) D-M9□W(V) D-A9□(V)	0.05 to 0.15														
D-M9□A(V)	0.05 to 0.10														

* Auto switch mounting bracket and auto switch are enclosed with the cylinder for shipment. For an environment that needs the water-resistant auto switch, select the D-M9□A(V) type.
Auto switch mounting bracket for the D-F7BA(V) type uses BQ4-012 and BQ5-032 normal specifications (metal screw).
* The applicable auto switches for the CDQ2□R/□V (water resistant) are the D-M9□A(V) type.
* The applicable auto switches for the CDQ2-S/T (single acting) are those except for the D-P3DW type.

Standard	Double Acting, Single Rod	CQ2
Standard	Double Acting, Double Rod	CQ2W
Standard	Single Acting, Spring Return, End	CQ2
Standard	Single Acting, Spring Return, End	CQ2
Large Bore Size	Double Acting, Double Rod	CQ2W
Large Bore Size	Double Acting, Single Rod	CQ2
Large Bore Size	Double Acting, Single Rod	CQ2
Anti-lateral Load	Double Acting, Single Rod	CQ2□S
Long Stroke	Double Acting, Single Rod	CQ2
Non-rotating Rod	Double Acting, Single Rod	CQ2K
Non-rotating Rod	Double Acting, Double Rod	CQ2KW
Water Resistant	Double Acting, Single Rod	CQ2-R/V
Water Resistant	Double Acting, Double Rod	CQ2W-R/V
Axial Piping	Double Acting, Single Rod	CQP2
Axial Piping	Double Acting, Double Rod	CQP2
With End Lock	Double Acting, Single Rod	CBQ2
With End Lock	Double Acting, Double Rod	CBQ2
Auto Switch		
Made to Order		

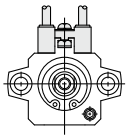
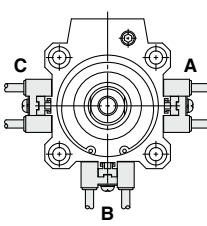
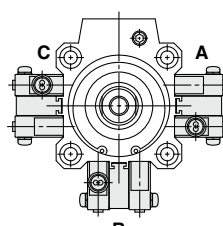
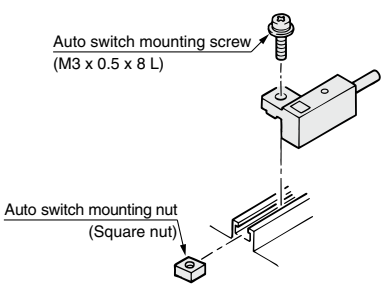
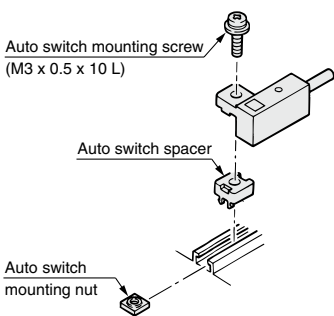
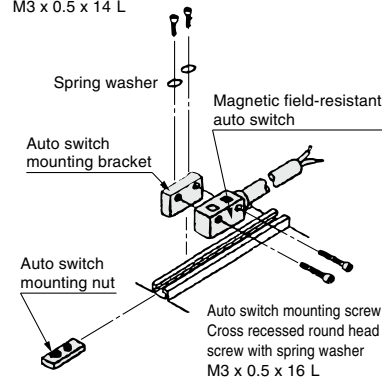
Auto Switch Mounting Brackets/Part Nos.

Applicable Cylinder Series: CDQP2, CDQP2-S/T (Axial piping)

Applicable auto switch	D-M9□/M9□V D-M9□W/M9□WV D-M9□A/M9□AV D-A9□/A9□V	
Bore size [mm]	ø12 to ø25	ø32 to ø100
Auto switch mounting bracket part no.	① BQ-1 ② BQ2-012 Two types of auto switch mounting brackets are used as a set.	① BQ-2 ② BQ2-012 Two types of auto switch mounting brackets are used as a set.
Auto switch mounting bracket fitting parts lineup/Weight	① BQ-1 • Cross recessed round head screw (M3 x 8 L) • Square nut (M3 x 0.5) Weight: 1.5 g ② BQ2-012 • Cross recessed round head screw (M2.5 x 6 L) • Auto switch mounting bracket Weight: 5 g	① BQ-2 • Cross recessed round head screw (M3 x 10 L) • Square nut (M3 x 0.5) • Switch spacer Weight: 1.5 g ② BQ2-012 • Cross recessed round head screw (M2.5 x 6 L) • Auto switch mounting bracket Weight: 5 g
Auto switch mounting surface	Auto switch mounting rail side only	A/B/C side
		
Mounting of auto switch	 <p>• BQ-1 is a set of a and b shown above. • BQ2-012 is a set of c and d shown above.</p> <ol style="list-style-type: none"> Insert the square nut for BQ-1 in the switch mounting rail and set it at the approximate auto switch mounting position. Fit the convex part of the auto switch mounting bracket arm over the concave part of the rail, and slide the arm to the nut position. Push the auto switch mounting screw (M3 for BQ-1) lightly into the square nut through the hole of the auto switch mounting arm. Remove the set screw (M2.5) attached to the auto switch. Insert the auto switch in the auto switch attachment part of the auto switch mounting bracket. Secure the auto switch mounting screw (M2.5). (Tightening torque of M2.5 screw: 0.1 to 0.2 N·m) Secure the auto switch mounting screw ③ after confirming the detecting position. (Tightening torque of M3 screw: 0.5 to 0.7 N·m) Modify the detecting position while the auto switch is secured at the position of ③ in the figure. 	 <p>• BQ-2 is a set of a, b, and c shown above. • BQ2-012 is a set of d and e shown above.</p> <ol style="list-style-type: none"> Insert the square nut for BQ-2 in the switch mounting rail and set it at the approximate auto switch mounting position. Fit the protruding part of the switch mounting spacer over the concave part of the rail, and slide the spacer to the nut position. Fit the convex part of the auto switch mounting bracket arm over the concave part of the switch spacer. Turn the auto switch mounting screw (M3 for BQ-2) lightly into the square nut through the mounting holes of the auto switch mounting arm and switch spacer. Remove the set screw (M2.5) attached to the auto switch. Insert the auto switch in the auto switch attachment part of the auto switch mounting bracket. Secure the auto switch mounting screw (M2.5). (Tightening torque of M2.5 screw: 0.1 to 0.2 N·m) Secure the auto switch mounting screw ④ after confirming the detecting position. (Tightening torque of M3 screw: 0.5 to 0.7 N·m) Modify the detecting position while the auto switch is secured at the position of ④ in the figure.

Auto Switch Mounting Brackets/Part Nos.

Applicable Cylinder Series: CDQP2, CDQP2-S/T (Axial piping)

Applicable auto switch	D-F7□/F7□V/J79/J79C/F7□W/J79W/F7□WV D-F7BA/F7BAV/F79F/F7NT D-A7□/A80/A7□H/A80H/A73C/A80C/A79W		D-P4DW
Bore size [mm]	ø12 to ø25	ø32 to ø100	ø40 to ø100
Auto switch mounting bracket part no.	BQ-1	BQ-2	BQP1-050
Auto switch mounting bracket fitting parts lineup/Weight	<ul style="list-style-type: none"> • Cross recessed round head screw (M3 x 8 L) • Square nut (M3 x 0.5) Weight: 1.5 g	<ul style="list-style-type: none"> • Cross recessed round head screw (M3 x 10 L) • Square nut (M3 x 0.5) • Switch spacer Weight: 1.5 g	<ul style="list-style-type: none"> • Cross recessed round head screw (M3 x 16 L) • Hexagon socket head cap screw (M3 x 14 L) • Auto switch mounting nut • Auto switch mounting bracket Weight: 16 g
Auto switch mounting surface	Auto switch mounting rail side only 	A/B/C side 	A/B/C side 
Mounting of auto switch	 <p>Auto switch mounting screw (M3 x 0.5 x 8 L)</p> <p>Auto switch mounting nut (Square nut)</p> <ol style="list-style-type: none"> Slide the auto switch mounting nut inserted into the mounting rail and set it at the auto switch mounting position. Fit the convex part of auto switch mounting arm into the concave part of auto switch mounting rail. Then slide the switch over the nut. Push the auto switch mounting screw lightly into the mounting nut through the hole of auto switch mounting arm. After reconfirming the detecting position, tighten the mounting screw to secure the auto switch. (Tightening torque of M3 screw should be 0.5 to 0.7 N·m.) Modification of the detecting position should be made in the condition of ③. 	 <p>Auto switch mounting screw (M3 x 0.5 x 10 L)</p> <p>Auto switch spacer</p> <p>Auto switch mounting nut</p> <ol style="list-style-type: none"> Slide the auto switch mounting nut inserted into the mounting rail and set it at the auto switch mounting position. Fit the convex part of auto switch mounting arm into the concave part of auto switch spacer. Then slide the switch over the nut. Push the auto switch mounting screw lightly into the mounting nut through the holes of the auto switch mounting arm and auto switch spacer. After reconfirming the detecting position, tighten the mounting screw to secure the auto switch. (Tightening torque of M3 screw should be 0.5 to 0.7 N·m.) Modification of the detecting position should be made in the condition of ③. 	 <p>Auto switch mounting bracket fixing screw Hexagon socket head cap bolt M3 x 0.5 x 14 L</p> <p>Spring washer</p> <p>Magnetic field-resistant auto switch</p> <p>Auto switch mounting bracket</p> <p>Auto switch mounting nut</p> <p>Auto switch mounting screw Cross recessed round head screw with spring washer M3 x 0.5 x 16 L</p> <ol style="list-style-type: none"> Mount the auto switch mounting bracket onto the auto switch mounting nut by tightening bracket fixing screw lightly through the mounting hole on the top of bracket. Insert the auto switch mounting bracket assembly (bracket + nut) into the mounting groove and set it at the auto switch mounting position. Push the auto switch mounting screw lightly into the auto switch through the auto switch mounting hole to secure. After reconfirming the detecting position, tighten the mounting screw to secure the auto switch mounting bracket and the auto switch. (Tightening torque should be 0.5 to 0.7 N·m.)

[Stainless Steel Mounting Screw Kit]

The following stainless steel mounting screw kit (with nuts) is available. Use it in accordance with the operating environment. (Since auto switch spacer (for BQ-2) is not included, order BQ-2 separately.)

BBA2: For D-A7/A8/F7/J7 types

The above stainless steel screws are used when a cylinder is shipped with the D-F7BA/F7BAV auto switches.

When only one auto switch is shipped independently, the BBA2 is attached.

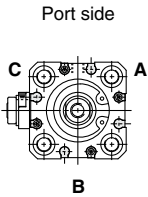
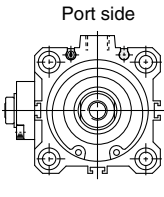
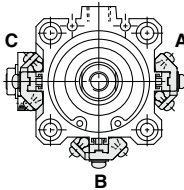
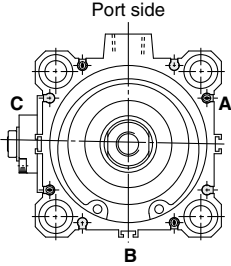
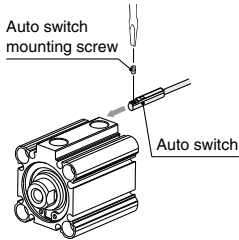
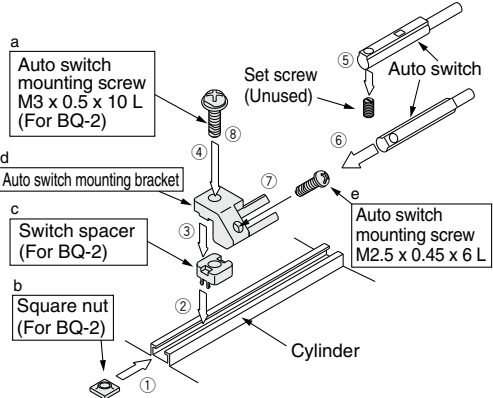
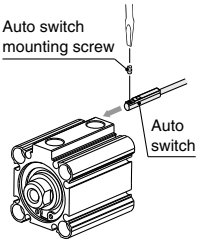
* Refer to the **Web Catalog** for details on the BBA2.

* When the D-M9□A(V) type is mounted, order auto switch mounting brackets BQ2-012S, BQ-2, and the stainless steel mounting screw kit BBA2 separately.

Double Acting, Single Rod	CQ2
Standard	CQ2W
Double Acting, Double Rod	CQ2W
Single Acting, Spring Return, Extend	CQ2
Double Acting, Single Rod	CQ2
Double Acting, Single Rod	CQ2
Large Bore Size	CQ2W
Double Acting, Double Rod	CQ2W
Anti-lateral Load	CQ2S
Double Acting, Single Rod	CQ2
Long Stroke	CQ2
Double Acting, Single Rod	CQ2K
Non-rotating Rod	CQ2KW
Double Acting, Double Rod	CQ2R/V
Water Resistant	CQ2W-RV
Double Acting, Double Rod	CQ2
Axial Piping	CQP2
Double Acting, Single Rod	CQP2
Single Acting, Spring Return, Extend	CQP2
With End Lock	CBQ2
Double Acting, Single Rod	Auto Switch
Made to Order	

Auto Switch Mounting Brackets/Part Nos.

Applicable Cylinder Series: CDBQ2 (With end lock)

Applicable auto switch	D-M9□/M9□V D-M9□W/M9□WV D-M9□A/M9□AV D-A9□/A9□V											
Bore size [mm]	ø20, ø25	ø32, ø40, ø50		ø63, ø80, ø100								
Auto switch mounting bracket part no.	—	—	① BQ-2 ② BQ2-012 Two types of auto switch mounting brackets are used as a set.	—								
Auto switch mounting bracket fitting parts lineup/Weight	—	—	① BQ-2 • Cross recessed round head screw (M3 x 10 L) • Square nut (M3 x 0.5) • Switch spacer Weight: 1.5 g ② BQ2-012 • Cross recessed round head screw (M2.5 x 6 L) • Auto switch mounting bracket Weight: 5 g	—								
Auto switch mounting surface	Port/A/B/C side	Port side	A/B/C side	Port/A/B/C side								
												
Mounting of auto switch	 <p>• When tightening an auto switch mounting screw, use a watch-maker's screwdriver with a handle diameter of 5 to 6 mm.</p> <p>Tightening torque for auto switch mounting screw [N·m]</p> <table border="1"> <thead> <tr> <th>Auto switch model</th> <th>Tightening torque</th> </tr> </thead> <tbody> <tr> <td>D-M9□(V)</td> <td rowspan="3">0.05 to 0.15</td> </tr> <tr> <td>D-M9□W(V)</td> </tr> <tr> <td>D-A9□(V)</td> </tr> <tr> <td>D-M9□A(V)</td> <td>0.05 to 0.10</td> </tr> </tbody> </table>		Auto switch model	Tightening torque	D-M9□(V)	0.05 to 0.15	D-M9□W(V)	D-A9□(V)	D-M9□A(V)	0.05 to 0.10	 <p>• BQ-2 is a set of a, b, and c shown above. • BQ2-012 is a set of d and e shown above.</p> <ol style="list-style-type: none"> Insert the square nut for BQ-2 in the switch mounting rail and set it at the approximate auto switch mounting position. Fit the protruding part of the switch mounting spacer over the concave part of the rail, and slide the spacer to the nut position. Fit the convex part of the auto switch mounting bracket arm over the concave part of the switch spacer. Turn the auto switch mounting screw (M3 for BQ-2) lightly into the square nut through the mounting holes of the auto switch mounting arm and switch spacer. Remove the set screw (M2.5) attached to the auto switch. Insert the auto switch in the auto switch attachment part of the auto switch mounting bracket. Secure the auto switch mounting screw (M2.5). (Tightening torque of M2.5 screw: 0.1 to 0.2 N·m) Secure the auto switch mounting screw (4) after confirming the detecting position. (Tightening torque of M3 screw: 0.5 to 0.7 N·m) Modify the detecting position while the auto switch is secured at the position of (4) in the figure. 	
	Auto switch model	Tightening torque										
D-M9□(V)	0.05 to 0.15											
D-M9□W(V)												
D-A9□(V)												
D-M9□A(V)	0.05 to 0.10											
	 <p>• When tightening an auto switch mounting screw, use a watch-maker's screwdriver with a handle diameter of 5 to 6 mm.</p> <p>Tightening torque for auto switch mounting screw [N·m]</p> <table border="1"> <thead> <tr> <th>Auto switch model</th> <th>Tightening torque</th> </tr> </thead> <tbody> <tr> <td>D-M9□(V)</td> <td rowspan="3">0.05 to 0.15</td> </tr> <tr> <td>D-M9□W(V)</td> </tr> <tr> <td>D-A9□(V)</td> </tr> <tr> <td>D-M9□A(V)</td> <td>0.05 to 0.10</td> </tr> </tbody> </table>		Auto switch model	Tightening torque	D-M9□(V)	0.05 to 0.15	D-M9□W(V)	D-A9□(V)	D-M9□A(V)	0.05 to 0.10		
Auto switch model	Tightening torque											
D-M9□(V)	0.05 to 0.15											
D-M9□W(V)												
D-A9□(V)												
D-M9□A(V)	0.05 to 0.10											

[Stainless Steel Mounting Screw Kit]

The following stainless steel mounting screw kit (with nuts) is available. Use it in accordance with the operating environment. (Since auto switch spacer (for BQ-2) is not included, order BQ-2 separately.)

BBA2: For D-A7/A8/F7/J7 types

The above stainless steel mounting screws are used when a cylinder is shipped with the D-F7BA/F7BAV water-resistant auto switches.

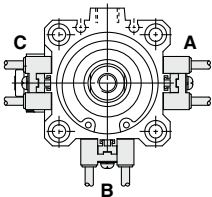
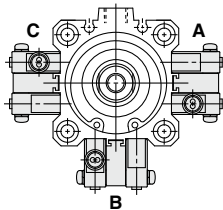
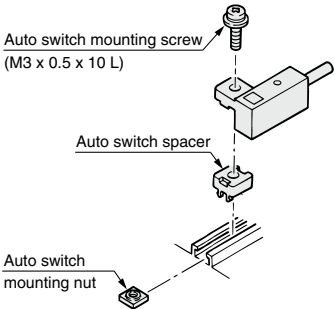
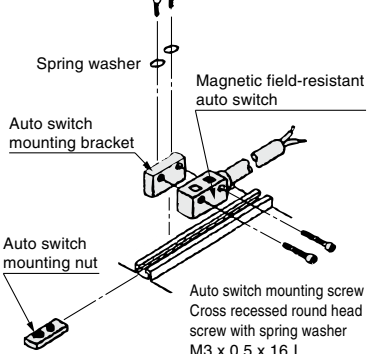
When only one auto switch is shipped independently, the BBA2 is attached.

* Refer to the **Web Catalog** for details on the BBA2.

* When mounting D-M9□A(V) on a port other than the ports for ø32, ø40, and ø50, order auto switch mounting brackets BQ2-012S, BQ-2, and the stainless steel screw kit BBA2 separately.

Auto Switch Mounting Brackets/Part Nos.

Applicable Cylinder Series: **CDBQ2 (With end lock)**

Applicable auto switch	D-F7□/F7□V/J79/J79C/F7□W/J79W/F7□WV D-F7BA/F7BAV/F79F/F7NT D-A7□/A80/A7□H/A80H/A73C/A80C/A79W	D-P4DW
Bore size [mm]	ø32 to ø100	ø40 to ø100
Auto switch mounting bracket part no.	BQ-2	BQP1-050
Auto switch mounting bracket fitting parts lineup/Weight	<ul style="list-style-type: none"> • Cross recessed round head screw (M3 x 10 L) • Square nut (M3 x 0.5) • Switch spacer Weight: 1.5 g 	<ul style="list-style-type: none"> • Cross recessed round head screw (M3 x 16 L) • Hexagon socket head cap screw (M3 x 14 L) • Auto switch mounting nut • Auto switch mounting bracket Weight: 16 g
Auto switch mounting surface	A/B/C side	A/B/C side
		
Mounting of auto switch		
	<ol style="list-style-type: none"> Slide the auto switch mounting nut inserted into the mounting rail and set it at the auto switch mounting position. Fit the convex part of auto switch mounting arm into the concave part of auto switch spacer. Then slide the switch over the nut. Push the auto switch mounting screw lightly into the mounting nut through the holes of the auto switch mounting arm and auto switch spacer. After reconfirming the detecting position, tighten the mounting screw to secure the auto switch. (Tightening torque of M3 screw should be 0.5 to 0.7 N·m.) Modification of the detecting position should be made in the condition of ③. 	<p>Auto switch mounting bracket fixing screw Hexagon socket head cap bolt M3 x 0.5 x 14 L</p> <p>Spring washer</p> <p>Magnetic field-resistant auto switch</p> <p>Auto switch mounting bracket</p> <p>Auto switch mounting nut</p> <p>Auto switch mounting screw Cross recessed round head screw with spring washer M3 x 0.5 x 16 L</p> <ol style="list-style-type: none"> Mount the auto switch mounting bracket onto the auto switch mounting nut by tightening bracket fixing screw lightly through the mounting hole on the top of bracket. Insert the auto switch mounting bracket assembly (bracket + nut) into the mounting groove and set it at the auto switch mounting position. Push the auto switch mounting screw lightly into the auto switch through the auto switch mounting hole to secure. After reconfirming the detecting position, tighten the mounting screw to secure the auto switch mounting bracket and the auto switch. (Tightening torque should be 0.5 to 0.7 N·m.)

[Stainless Steel Mounting Screw Kit]

The following stainless steel mounting screw kit (with nuts) is available. Use it in accordance with the operating environment. (Since auto switch spacer (for BQ-2) is not included, order BQ-2 separately.)

BBA2: For D-A7/A8/F7/J7 types

The above stainless steel mounting screws are used when a cylinder is shipped with the D-F7BA/F7BAV water-resistant auto switches.

When only one auto switch is shipped independently, the BBA2 is attached.

* Refer to the **Web Catalog** for details on the BBA2.

* When mounting D-M9□A(V) on a port other than the ports for ø32, ø40, and ø50, order auto switch mounting brackets BQ2-012S, BQ-2, and the stainless steel screw kit BBA2 separately.

Standard	Double Acting, Single Rod	CQ2
Standard	Double Acting, Double Rod	CQ2W
Standard	Single Acting, Spring Return, Extend	CQ2
Standard	Single Acting, Spring Return, Retract	CQ2
Large Bore Size	Double Acting, Single Rod	CQ2
Large Bore Size	Double Acting, Double Rod	CQ2W
Anti-lateral Load	Double Acting, Single Rod	CQ2□S
Anti-lateral Load	Double Acting, Double Rod	CQ2W
Long Stroke	Double Acting, Single Rod	CQ2
Long Stroke	Double Acting, Double Rod	CQ2W
Non-rotating Rod	Double Acting, Single Rod	CQ2K
Non-rotating Rod	Double Acting, Double Rod	CQ2KW
Water Resistant	Double Acting, Single Rod	CQ2-R/V
Water Resistant	Double Acting, Double Rod	CQ2W-RV
Axial Piping	Double Acting, Single Rod	CQP2
Axial Piping	Double Acting, Double Rod	CQP2
Axial Piping	Single Acting, Spring Return, Retract	CQP2
With End Lock	Double Acting, Single Rod	CBQ2
With End Lock	Double Acting, Double Rod	CBQ2W
Auto Switch		
Made to Order		

CDQ2 Series

Other than the applicable auto switches listed in “How to Order,” the following auto switches are also mountable. Refer to the **Web Catalog** for detailed specifications.

Applicable Cylinder Series: **CDQ2, CDQ2W, CDQ2-S/T (Single acting), CDQ2, CDQ2W (Large bore size), CDQ2□S (Anti-lateral load), CDQ2 (Long stroke), CDQ2K, CDQ2KW (Non-rotating rod), CDQ2□R/□V, CDQ2W□R/□V (Water resistant)**

Auto switch type	Model	Electrical entry	Features	Applicable bore size
Reed	D-A72	Grommet (Perpendicular)	—	ø12 to ø160
	D-A73		—	
	D-A80		Without indicator light	
	D-A79W		Diagnostic indication (2-color indicator)	
	D-A73C	Connector (Perpendicular)	—	
	D-A80C		Without indicator light	
	D-A72H	Grommet (In-line)	—	
	D-A73H, A76H		—	
	D-A80H		Without indicator light	
Solid state	D-F7NV, F7PV, F7BV	Grommet (Perpendicular)	—	ø12 to ø160
	D-F7NWV, F7BWV		Diagnostic indication (2-color indicator)	
	D-F7BAV		Water resistant (2-color indicator)	
	D-J79C	Connector (Perpendicular)	—	
	D-F79, F7P, J79	Grommet (In-line)	—	
	D-F79W, F7PW, J79W		Diagnostic indication (2-color indicator)	
	D-F7BA		Water resistant (2-color indicator)	
	D-F79F		With diagnostic output (2-color indicator)	
	D-F7NT		With timer	

* With pre-wired connector is also available for solid state auto switches. For details, refer to the **Web Catalog**.

* Normally closed (NC = b contact) solid state auto switches (D-M9□E(V)) are also available. For details, refer to the **Web Catalog**.

* Trimmer auto switch (D-F7K) and heat-resistant solid state auto switch (D-F7NJ) are not available.

Applicable Cylinder Series: **CDQP2, CDQP2-S/T (Axial piping), CDBQ2 (With end lock)**

Auto switch type	Model	Electrical entry	Features	Applicable bore size
Reed	D-A73	Grommet (Perpendicular)	—	ø12 to ø100
	D-A80		Without indicator light	
	D-A73H, A76H	Grommet (In-line)	—	
	D-A80H		Without indicator light	
Solid state	D-F7NV, F7PV, F7BV	Grommet (Perpendicular)	—	ø12 to ø100
	D-F7NWV, F7BWV		Diagnostic indication (2-color indicator)	
	D-F7BAV		Water resistant (2-color indicator)	
	D-F79, F7P, J79	Grommet (In-line)	—	
	D-F79W, F7PW, J79W		Diagnostic indication (2-color indicator)	
	D-F7BA		Water resistant (2-color indicator)	
	D-F7NT		With timer	
	D-P5DW	Grommet (In-line)	Magnetic field resistant (2-color indicator)	

* With pre-wired connector is also available for solid state auto switches. For details, refer to the **Web Catalog**.

* Normally closed (NC = b contact) solid state auto switches (D-M9□E(V)) are also available. For details, refer to the **Web Catalog**.

* Excludes the D-P4DW for the CDQP2-S/T (Single acting)

* When using a magnetic field-resistant solid state auto switch D-P3DW type, please contact SMC separately. (Applicable bore size: ø32 to ø100)

* Heat-resistant solid state auto switch (D-F7NJ) is not applicable.

* Regarding the D-P5DW, please contact SMC separately.

Made to Order	Auto Switch
With End Lock Double Acting, Single Rod CBQ2	Axial Piping Single Acting, Spring Return-Extend CQP2 Double Acting, Single Rod CQP2
Water Resistant Double Acting, Double Rod CQ2W-RV Double Acting, Single Rod CQ2-R/V	Non-rotating Rod Double Acting, Double Rod CQ2KW Double Acting, Single Rod CQ2K
Long Stroke Double Acting, Single Rod CQ2	Anti-lateral Load Double Acting, Single Rod CQ2□S
Large Bore Size Double Acting, Double Rod CQ2W Double Acting, Single Rod CQ2	Standard Single Acting, Spring Return-Extend CQ2 Double Acting, Double Rod CQ2W Double Acting, Single Rod CQ2

CQ2 Series

Simple Specials/Made to Order Common Specifications



Please contact SMC for detailed specifications, delivery times, and prices.

Simple Specials The following special specifications can be ordered as a simplified Made-to-Order. Please contact your local sales representative for more details.

Symbol	Specifications	CQ2 (Standard)				CQ2 (Large bore size)	
		Double acting		Single acting		Double acting	
		Single rod	Double rod	Single rod/ Spring return	Single rod/ Spring extend	Single rod	Double rod
-XA1 to 30	Change of rod end shape	●	●	●		●	●

Made to Order Common Specifications

Symbol	Specifications	CQ2 (Standard)				CQ2 (Large bore size)	
		Double acting		Single acting		Double acting	
		Single rod	Double rod	Single rod/ Spring return	Single rod/ Spring extend	Single rod	Double rod
-XB6	Heat-resistant cylinder (-10 to 150°C)*4	●	●				
-XB7	Cold-resistant cylinder (-40 to 70°C)	●	●				
-XB9	Low-speed cylinder (10 to 50 mm/s)	●	●				
-XB10	Intermediate stroke (Exclusive body type)	●	●	●		●	●
-XB13	Low-speed cylinder (5 to 50 mm/s)	●	●				
-XB14	Cylinder with heat-resistant auto switch*2, 4	●	●				
-XC2(A)	Rod end length increased by 10 mm (For foot and flange bracket)	●	●	●	●		
-XC4	With heavy duty scraper	●	●				
-XC6(A)	Piston rod/Retaining ring/Rod end nut material: Stainless steel	●	●	●	●		
-XC8	Adjustable stroke cylinder/Adjustable extension type	●	●				
-XC9	Adjustable stroke cylinder/Adjustable retraction type	●	●				
-XC10	Dual stroke cylinder/Double rod type	●	●				
-XC11	Dual stroke cylinder/Single rod type	●	●				
-XC26	With split pins for double clevis pin/double knuckle joint pin and flat washers	●	●	●	●		
-XC26□	Double clevis width/Double knuckle width 12.5 mm, 16.5 mm, or 19.5 mm: With double clevis and double knuckle joint	●	●				
-XC27	Double clevis pin/Double knuckle joint pin material: Stainless steel 304	●	●	●	●		
-XC35	With coil scraper	●	●				
-XC36	With boss on rod end	●	●	●	●		
-XC85	Grease for food processing equipment	●	●	●	●	●	●
-XC88	Spatter-resistant coil scraper, Lube-retainer, Grease for welding (Piston rod: Stainless steel 304)	●	●				
-XC89	Spatter-resistant coil scraper, Lube-retainer, Grease for welding (Piston rod: S45C)	●	●				
-XC91	Spatter-resistant coil scraper, Grease for welding (Piston rod: S45C)	●	●				
-XC92	Dust-resistant actuator	●	●				
-X144	Special port location	●	●	●	●		
-X235	Special rod end for double rod cylinder	●	●				●
-X271	Fluororubber seals*4	●	●	●	●	●	●
-X525	Long stroke for adjustable extension stroke cylinder (-XC8)	●	●				
-X526	Long stroke for adjustable retraction stroke cylinder (-XC9)	●	●				
-X633	Intermediate stroke for double rod cylinder	●	●				●
-X636	Long stroke for dual stroke single rod cylinder	●	●				
-X1876	Cylinder tube: With concave boss on head end*3	●	●	●	●		

*1 ø12 to ø32: Special product, for ø40 to ø63 only *2 The body shape and model are the same as those of the existing CQ2 series product.

Simple Specials/Made to Order Common Specifications **CQ2 Series**

CQ2□S (Anti-lateral load) Double acting		CQ2 (Long stroke) Double acting		CQ2K (Non-rotating rod) Double acting		CQ2-R/V (Water resistant) Double acting		CQP2 (Axial piping) ^{*2}			CBQ2 (With end lock) ^{*2}		Page	Symbol
Single rod		Single rod		Single rod	Double rod	Single rod	Double rod	Double acting	Single acting		Single rod			
								Single rod	Single rod/ Spring return	Single rod/ Spring extend			169	-XA1 to 30
													173	-XB6
													173	-XB7
													173	-XB9
													174	-XB10
													176	-XB13
													177	-XB14
													178	-XC2(A)
													179	-XC4
													180	-XC6(A)
													181	-XC8
													182	-XC9
													183	-XC10
													184	-XC11
													186	-XC26
													187	-XC26□
													188	-XC27
													188	-XC35
													189	-XC36
													189	-XC85
													190	-XC88
													190	-XC89
													190	-XC91
													191	-XC92
													191	-X144
													192	-X235
													192	-X271
													193	-X525
													194	-X526
													194	-X633
													195	-X636
													196	-X1876

*3 For ø32 to ø100 only *4 Excludes the air-hydro type *5 The standard model can be used for the type with boss on the rod end (-XC36).

Standard
Double Acting, Single Rod
CQ2

Single Acting, Spring Return/Extend
CQ2

Large Bore Size
Double Acting, Double Rod
CQ2W

Anti-lateral Load
Double Acting, Single Rod
CQ2□S

Long Stroke
Double Acting, Single Rod
CQ2

Non-rotating Rod
Double Acting, Double Rod
CQ2K

Water Resistant
Double Acting, Single Rod
CQ2-R/V

Axial Piping
Double Acting, Single Rod
CQP2

With End Lock
Double Acting, Single Rod
CBQ2

Auto Switch

Made to Order

CQ2 Series Simple Specials

The following changes are dealt with through the Simple Specials System.

Please contact your local sales representative for more details.

1 CQ2 (ø12 to ø25): Change of Rod End Shape

Applicable Series

Description		Model	Action	Symbol for change of rod end shape
CQ2 (ø12 to ø25)	Standard	CQ2	Double acting, Single rod Single acting (Spring return)*1	XA1, XA2, XA6 XA7, XA11 XA17, XA18
		CQ2W	Double acting, Double rod	
	Axial piping	CQP2	Double acting, Single rod Single acting (Spring return)*1	
		CQ2K	Double acting, Single rod Double acting, Double rod (Non-rotating side)	XA1, XA2, XA6 XA11, XA17
Non-rotating rod	CQ2KW	Double acting, Double rod (Round rod side)	XA1, XA2, XA6, XA7 XA11, XA17, XA18	

*1 A single acting, spring extend type is available as a special order.

Precautions

- SMC will make appropriate arrangements if no dimension, tolerance, or finish instructions are given in the diagram.
- Standard dimensions marked with "*" will be as follows to the rod diameter (D).
Enter any special dimension you require.
ø12, ø16 → D-1 mm ø20, ø25 → D-2 mm
- In the case of a double rod, fill in the dimension when the rod is retracted.
- When changing the rod end shape on both sides, fill in the construction specification sheets for the left side (piston rod A) and for the right side (piston rod B) respectively.
Selected model (Example) **CQ2WB32-10DZ-XA7A18**
Use an XA7 specification sheet for the left side (piston rod A) and an XA18 specification sheet for the right side (piston rod B).
- For the XA17 and XA18, the male thread diameter cannot be the same as the piston rod external diameter.
- Please contact SMC separately for piston rod end pattern part numbers other than those in the table to the left or for other manufacturing requirements.
- The rod end nut is not included if the H1 dimension is changed from the standard product.

<p>Symbol: A1</p>	<p>Symbol: A2</p>	<p>Symbol: A6</p>	<p>Symbol: A7</p>
<p>Symbol: A11</p>	<p>Symbol: A17</p>	<p>Symbol: A18</p>	

Symbol

-XA1/2/6/7/11/17/18

Conditions of Manufacture

Change of rod end shape/Symbol	Single rod type		Double rod type
XA1	For $\phi 12$	ϕM : 3 mm or more 5 mm or less	ϕM : $\phi 5$ mm or less
	$\phi 16$	ϕM : 3 mm or more 7 mm or less	ϕM : $\phi 7$ mm or less
	$\phi 20$	ϕM : 4 mm or more 8 mm or less	ϕM : $\phi 8$ mm or less
	$\phi 25$	ϕM : 4 mm or more 10 mm or less	ϕM : $\phi 10$ mm or less
XA2	For $\phi 12$	ϕJ : 4 mm or more, W1: 6 mm or less	ϕJ : 3 mm or more, W1: 6 mm or less
	$\phi 16$	ϕJ : 4 mm or more, W1: 6 mm or less	ϕJ : 4 mm or more, W1: 6 mm or less
	$\phi 20$	ϕJ : 5 mm or more, W1: 11 mm or less	ϕJ : 5 mm or more, W1: 11 mm or less
	$\phi 25$	ϕJ : 6 mm or more, W1: 13 mm or less	ϕJ : 6 mm or more, W1: 13 mm or less
XA6	For $\phi 12$	H: M4 or less	H: M4 or less
	$\phi 16$	H: M6 or less	H: M6 or less
	$\phi 20$	H: M6 or less	H: M6 or less
	$\phi 25$	H: M8 or less	H: M8 or less
XA7	For $\phi 12$	H: M4 or less	H: M4 or less
	$\phi 16$	H: M5 or less	H: M5 or less
	$\phi 20$	H: M6 or less	H: M6 or less
	$\phi 25$	H: M8 or less	H: M8 or less
XA11	For $\phi 12$	SR3 mm only	SR3 mm or more
	$\phi 16$	SR4 mm only	SR4 mm or more
	$\phi 20$	SR5 mm only	SR5 mm or more
	$\phi 25$	SR6 mm only	SR6 mm or more
XA17	For $\phi 12$	H: M5 or more, X: 20 mm or less	H: M5 or less
	$\phi 16$	H: M6 or more, X: 22.5 mm or less	H: M6 or less
	$\phi 20$	H: M8 or more, X: 26.5 mm or less	H: M8 or less
	$\phi 25$	H: M10 or more, X: 33 mm or less	H: M10 or less
XA18	For $\phi 12$	H: M5 or more, X: 20 mm or less	H: M5 or less
	$\phi 16$	H: M6 or more, X: 22.5 mm or less	H: M6 or less
	$\phi 20$	H: M8 or more, X: 26.5 mm or less	H: M8 or less
	$\phi 25$	H: M10 or more, X: 33 mm or less	H: M10 or less

Standard	Double Acting, Single Rod	CQ2
Standard	Double Acting, Double Rod	CQ2W
Standard	Single Acting, Spring Return, End	CQ2
Large Bore Size	Double Acting, Single Rod	CQ2
Large Bore Size	Double Acting, Double Rod	CQ2W
Anti-lateral Load	Double Acting, Single Rod	CQ2 <input type="checkbox"/> S
Anti-lateral Load	Double Acting, Double Rod	CQ2 <input type="checkbox"/> S
Long Stroke	Double Acting, Single Rod	CQ2
Long Stroke	Double Acting, Double Rod	CQ2
Non-rotating Rod	Double Acting, Single Rod	CQ2K
Non-rotating Rod	Double Acting, Double Rod	CQ2KW
Water Resistant	Double Acting, Single Rod	CQ2-R/V
Water Resistant	Double Acting, Double Rod	CQ2W-R/V
Axial Piping	Double Acting, Single Rod	CQP2
Axial Piping	Double Acting, Double Rod	CQP2
With End Lock	Single Acting, Spring Return, End	CQP2
With End Lock	Single Acting, Single Rod	CBQ2
With End Lock	Double Acting, Single Rod	CBQ2
Auto Switch		Auto Switch
Made to Order		Made to Order

CQ2 Series Simple Specials

The following changes are dealt with through the Simple Specials System.

Please contact your local sales representative for more details.

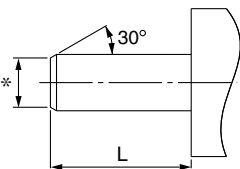
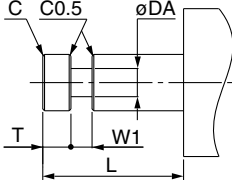
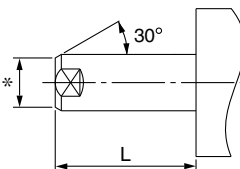
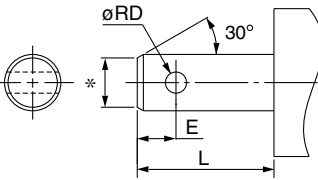
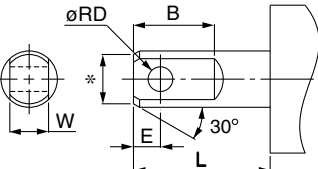
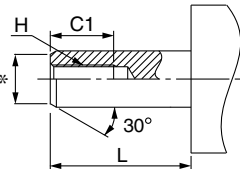
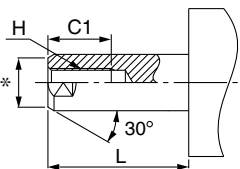
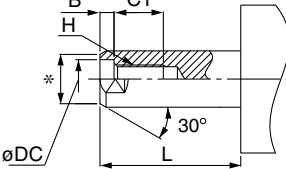
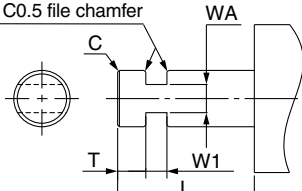
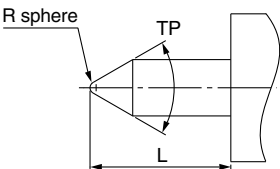
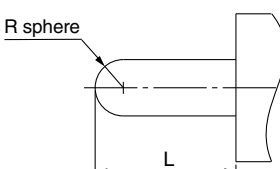
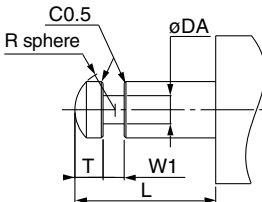
1 CQ2 (ø32 to ø100)/CQ2 Large Bore Size (ø125 to ø200): Change of Rod End Shape

Description	Model	Action	Symbol for change of rod end shape
Standard	CQ2	Double acting, Single rod Single acting (Spring return) ^{*1}	XA1 to 23 XA26 to 30
	CQ2W	Double acting, Double rod	
Axial piping	CQP2	Double acting, Single rod	
		Single acting (Spring return)	
Anti-lateral load	CQ2□S	Double acting, Single rod	
Long stroke	CQ2	Double acting, Single rod	
Non-rotating rod	CQ2K	Double acting, Single rod	XA1, XA2, XA6 XA10 to XA14 XA17, XA19, XA21
	CQ2KW	Double acting, Double rod (Non-rotating side)	
		Double acting, Double rod (Round rod side)	XA1 to 23 XA26 to 30
Large bore size	CQ2	Double acting, Single rod	XA1 to 23 XA26 to 30
	CQ2W	Double acting, Double rod	

*1 A single acting, spring extend type is available as a special order.

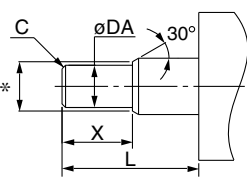
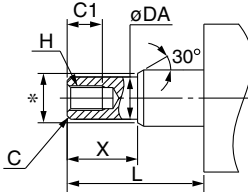
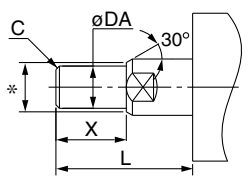
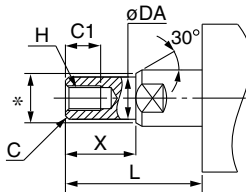
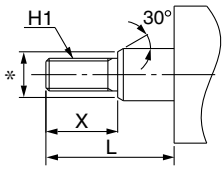
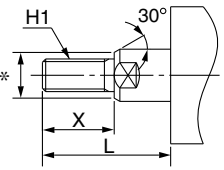
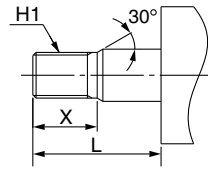
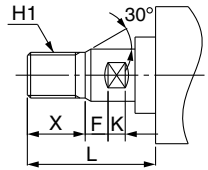
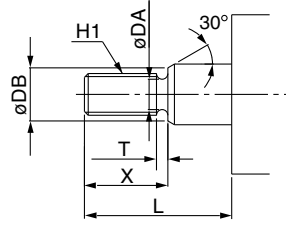
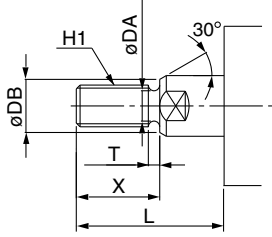
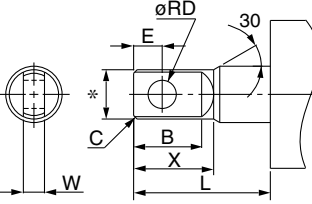
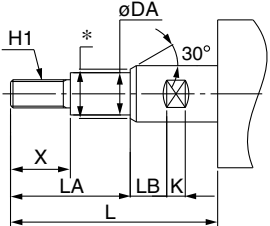
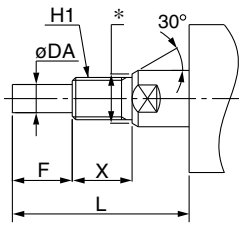
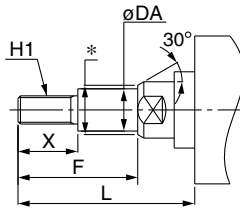
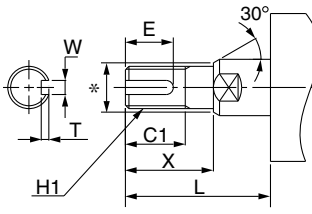
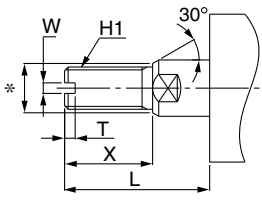
Precautions

- SMC will make appropriate arrangements if no dimension, tolerance, or finish instructions are given in the diagram.
- Standard dimensions marked with “*” will be the rod diameter (D) – 2 mm. Enter any special dimension you require.
- In the case of a double rod, fill in the dimension when the rod is retracted.
- When changing the rod end shape on both sides, fill in the construction specification sheets for the left side (piston rod A) and for the right side (piston rod B) respectively.
Selected model (Example) **CQ2WB32-10DZ-XA7A18**
Use an XA7 specification sheet for the left side (piston rod A) and an XA18 specification sheet for the right side (piston rod B).
- The rod end nut is not included if the H1 dimension is changed from the standard product.

<p>Symbol: A1</p> 	<p>Symbol: A2</p> 	<p>Symbol: A3</p> 	<p>Symbol: A4</p> 
<p>Symbol: A5</p> 	<p>Symbol: A6</p> 	<p>Symbol: A7</p> 	<p>Symbol: A8</p> 
<p>Symbol: A9</p> 	<p>Symbol: A10</p> 	<p>Symbol: A11</p> 	<p>Symbol: A12</p> 

Symbol

-XA1 to XA23/-XA26 to XA30

<p>Symbol: A13</p> 	<p>Symbol: A14</p> 	<p>Symbol: A15</p> 	<p>Symbol: A16</p> 
<p>Symbol: A17</p> 	<p>Symbol: A18</p> 	<p>Symbol: A19</p> 	<p>Symbol: A20</p> 
<p>Symbol: A21</p> 	<p>Symbol: A22</p> 	<p>Symbol: A23</p> 	<p>Symbol: A26</p> 
<p>Symbol: A27</p> 	<p>Symbol: A28</p> 	<p>Symbol: A29</p> 	<p>Symbol: A30</p> 

Standard	Double Acting, Single Rod	CQ2
Standard	Double Acting, Double Rod	CQ2W
Standard	Single Acting, Spring Return, Single Rod	CQ2
Standard	Double Acting, Single Rod	CQ2
Standard	Double Acting, Double Rod	CQ2W
Large Bore Size	Double Acting, Single Rod	CQ2
Large Bore Size	Double Acting, Double Rod	CQ2W
Anti-lateral Load	Double Acting, Single Rod	CQ2
Anti-lateral Load	Double Acting, Double Rod	CQ2S
Long Stroke	Double Acting, Single Rod	CQ2
Long Stroke	Double Acting, Double Rod	CQ2S
Non-rotating Rod	Double Acting, Single Rod	CQ2K
Non-rotating Rod	Double Acting, Double Rod	CQ2KW
Water Resistant	Double Acting, Single Rod	CQ2-RV
Water Resistant	Double Acting, Double Rod	CQ2W-RV
Axial Piping	Double Acting, Single Rod	CQP2
Axial Piping	Double Acting, Double Rod	CQP2
With End Lock	Double Acting, Single Rod	CBQ2
With End Lock	Double Acting, Double Rod	CBQ2

Auto Switch

Made to Order



1 Heat-resistant Cylinder (−10 to 150°C)

Symbol

-XB6

The seal material and grease used in this air cylinder have been changed so that it can be used at temperatures between −10 up to 150°C.

Description	Model	Action	Note
Compact cylinder	CQ2	Double acting, Single rod	Excludes models with a rubber bumper or auto switch magnet
	CQ2W	Double acting, Double rod	
Axial piping	CQP2	Double acting, Single rod	Excludes the air-hydro type
Non-rotating rod	CQ2K	Double acting, Single rod	Excludes models with a rubber bumper or auto switch magnet
	CQ2KW	Double acting, Double rod	

- * Operate without lubrication from a pneumatic system lubricator.
- * Please contact SMC for details on the maintenance intervals for this cylinder as they differ from those of the standard cylinder.
- * In principle, it is impossible to make a heat-resistant cylinder with a built-in magnet or with an auto switch. But, as for the one with an auto switch, and the heat-resistant cylinder with a heat-resistant auto switch, since it will be differed depending on the series, please contact SMC.
- * Piston speed ranges from 50 to 500 mm/s
- * Please contact SMC for models with a rubber bumper.

How to Order



Specifications

Ambient temperature range	−10°C to 150°C
Seal material	Fluororubber
Grease	Heat-resistant grease
Specifications other than the above and dimensions	Same as the standard type

Warning Precautions

Be aware that smoking cigarettes, etc., after your hands have come into contact with the grease used in this cylinder can create a gas that is hazardous to humans.

2 Cold-resistant Cylinder (−40 to 70°C)

Symbol

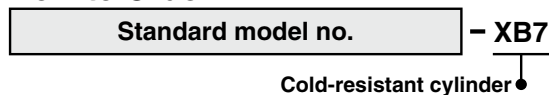
-XB7

The seal material and grease used in this air cylinder have been changed so that it can be used even at lower temperature down to −40°C.

Description	Model	Action	Note
Compact cylinder	CQ2	Double acting, Single rod	Applicable to $\phi 12$ to $\phi 40$ Excludes models with a rubber bumper, auto switch magnet, or mounting bracket
	CQ2W	Double acting, Double rod	
Axial piping	CQP2	Double acting, Single rod	

- * Operate without lubrication from a pneumatic system lubricator.
- * Use dry air which is suitable for heatless air dryer, etc., not to cause the moisture to be frozen.
- * Please contact SMC for details on the maintenance intervals for this cylinder as they differ from those of the standard cylinder.
- * Mounting auto switch is impossible.
- * Please contact SMC for models with a rubber bumper.

How to Order



Specifications

Ambient temperature range	−40°C to 70°C
Seal material	Low nitrile rubber
Grease	Cold-resistant grease
Auto switch	Not mountable
Dimensions	Same as the standard type
Specifications other than the above	Same as the standard type

Warning Precautions

Be aware that smoking cigarettes, etc., after your hands have come into contact with the grease used in this cylinder can create a gas that is hazardous to humans.

3 Low-speed Cylinder (10 to 50 mm/s)

Symbol

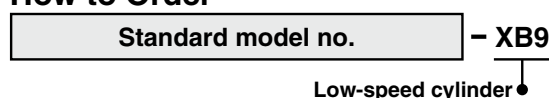
-XB9

Stick-slip phenomenon can be prevented, and smooth operation can be achieved even at lower driving speeds between 10 to 50 mm/s.

Description	Model	Action	Note
Compact cylinder	CQ2	Double acting, Single rod	
	CQ2W	Double acting, Double rod	
Axial piping	CQP2	Double acting, Single rod	

- * Operate without lubrication from a pneumatic system lubricator.

How to Order



Specifications

Piston speed	10 to 50 mm/s
Dimensions	Same as the standard type
Specifications other than the above	Same as the standard type

Warning Precautions

Be aware that smoking cigarettes, etc., after your hands have come into contact with the grease used in this cylinder can create a gas that is hazardous to humans.

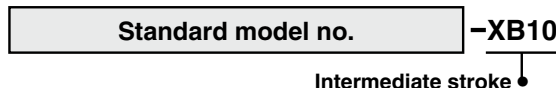
4 Intermediate Stroke (Exclusive Body Type)

Symbol
-XB10

A made-to-order exclusive body for specified strokes is also available. The overall length can be made shorter than that of spacer-installed types 1 and 2.

Description	Model	Action	Note
Compact cylinder	CQ2	Double acting, Single rod	Applicable to $\phi 40$ to $\phi 63$
		Single acting (Spring return)	
	CQ2W	Double acting, Double rod	
Non-rotating rod	CQ2K	Double acting, Single rod	
		CQ2KW	
Large bore size	CQ2	Double acting, Single rod	
		CQ2W	
Long stroke	CQ2	Double acting, Single rod	
Anti-lateral load	CQ2□S	Double acting, Single rod	
Water resistant	CQ2-R/V	Double acting, Single rod	
		CQ2W-R/V	Double acting, Double rod
With end lock	CBQ2	Double acting, Single rod	

How to Order



Bore size [mm]	Stroke range
12, 16	6 to 29
20, 25	6 to 49
32, 40	6 to 99
50 to 100	11 to 99

* In the case of exclusive body type with $\phi 32$ to $\phi 100$ (-XB10) with the stroke length exceeding 50 mm, reference values of the longitudinal dimension (A/B dimension) will be the same as those with auto switch magnet. Refer to the following for details.

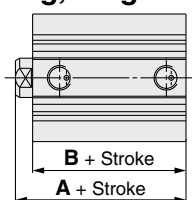
Ordering example

Part no.	CQ2B50-57DZ-XB10	
Description	<ul style="list-style-type: none"> Makes 57 mm stroke tube. The B dimension is 97.5 mm. B = 40.5 + 57 	

Specifications: Same as those of the standard type

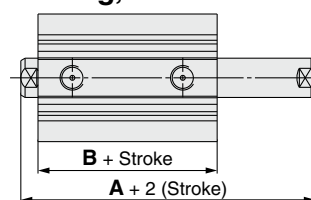
Dimensions The A and B dimensions shown below are the same as those of the standard type. (Shown for reference purposes)

Double acting, Single rod/Standard



Bore size [mm]	Single rod type				Applicable stroke range [mm]
	A		B		
	49 mm stroke or less	51 to 99 mm stroke	49 mm stroke or less	51 to 99 mm stroke	
12	20.5 (31.5)	—	17 (28)	—	6 to 29
16	22 (34)	—	18.5 (30.5)	—	6 to 49
20	24 (36)	—	19.5 (31.5)	—	6 to 99
25	27.5 (37.5)	—	22.5 (32.5)	—	11 to 99
32	30 (40)	40 (40)	23 (33)	33 (33)	
40	36.5 (46.5)	46.5 (46.5)	29.5 (39.5)	39.5 (39.5)	
50	38.5 (48.5)	48.5 (48.5)	30.5 (40.5)	40.5 (40.5)	
63	44 (54)	54 (54)	36 (46)	46 (46)	
80	53.5 (63.5)	63.5 (63.5)	43.5 (53.5)	53.5 (53.5)	
100	65 (75)	75 (75)	53 (63)	63 (63)	

Double acting, Double rod/Standard



Bore size [mm]	Double rod type				Applicable stroke range [mm]
	A		B		
	49 mm stroke or less	51 to 99 mm stroke	49 mm stroke or less	51 to 99 mm stroke	
12	32.2 (39.4)	—	25.2 (32.4)	—	6 to 29
16	33 (43)	—	26 (36)	—	6 to 49
20	35 (47)	—	26 (38)	—	6 to 99
25	39 (49)	—	29 (39)	—	11 to 99
32	44.5 (54.5)	54.5 (54.5)	30.5 (40.5)	40.5 (40.5)	
40	54 (64)	64 (64)	40 (50)	50 (50)	
50	56.5 (66.5)	66.5 (66.5)	40.5 (50.5)	50.5 (50.5)	
63	58 (68)	68 (68)	42 (52)	52 (52)	
80	71 (81)	81 (81)	51 (61)	61 (61)	
100	84.5 (94.5)	94.5 (94.5)	60.5 (70.5)	70.5 (70.5)	

Single acting, Spring return

Bore size [mm]	Single rod type (Single acting/Spring return)		Applicable stroke range [mm]
	A	B	
12	20.5 (31.5)	17 (28)	6 to 9
16	22 (34)	18.5 (30.5)	
20	24 (36)	19.5 (31.5)	6 to 9
25	27.5 (37.5)	22.5 (32.5)	
32	30 (40)	23 (33)	6 to 9
40	36.5 (46.5)	29.5 (39.5)	
50	38.5 (48.5)	30.5 (40.5)	

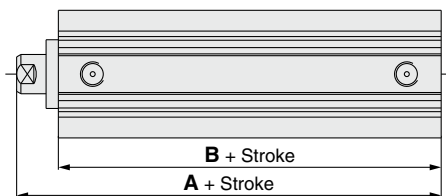
* (): Dimensions with auto switch magnet
* Other dimensions are the same as those of the standard type.
* Applicable stroke available in 1 mm increments

Standard Double Acting, Single Rod **CQ2**
Standard Double Acting, Double Rod **CQ2W**
Standard Single Acting, Spring Return **CQ2**
Large Bore Size Double Acting, Single Rod **CQ2**
Large Bore Size Double Acting, Double Rod **CQ2W**
Anti-lateral Load Double Acting, Single Rod **CQ2□S**
Long Stroke Double Acting, Single Rod **CQ2**
Non-rotating Rod Double Acting, Single Rod **CQ2K**
Non-rotating Rod Double Acting, Double Rod **CQ2KW**
Water Resistant Double Acting, Single Rod **CQ2-R/V**
Water Resistant Double Acting, Double Rod **CQ2W-R/V**
Axial Piping Double Acting, Single Rod **CQP2**
Axial Piping Single Acting, Spring Return **CQP2**
With End Lock Double Acting, Single Rod **CBQ2**
Auto Switch **Auto Switch**
Made to Order

4 Intermediate Stroke (Exclusive Body Type)

Dimensions (Dimensions other than those below are the same as those of the standard type.)

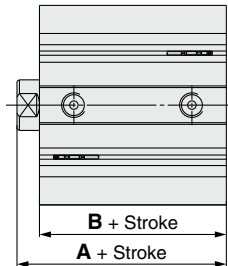
**Double acting, Single rod/
Long stroke**



Bore size [mm]	Single rod type (Long stroke)		Applicable stroke range [mm]
	A	B	
32	62.5	45.5	101 to 299
40	72	55	
50	73.5	55.5	
63	75	57	
80	86	66	
100	97.5	75.5	

* Dimensions other than those above are the same as those of the standard type.
* Applicable stroke available in 1 mm increments

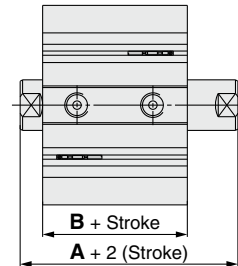
**Double acting, Single rod/
Large bore**



Bore size [mm]	Single rod type		Applicable stroke range [mm]
	A	B	
125	99	83	11 to 299
140	99	83	
160	108	91	
180	119	102	
200	126	109	

* Dimensions other than those above are the same as those of the standard type.
* Applicable stroke available in 1 mm increments

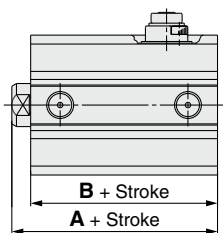
**Double acting, Double rod/
Large bore**



Bore size [mm]	Double rod type		Applicable stroke range [mm]
	A	B	
125	115	83	11 to 299
140	115	83	
160	125	91	
180	136	102	
200	143	109	

* Dimensions other than those above are the same as those of the standard type.
* Applicable stroke available in 1 mm increments

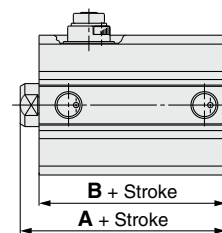
**Double acting, Single rod/End lock
With head side locking**



Bore size [mm]	A		B		Applicable stroke range [mm]
	24 mm stroke or less	26 to 99 mm stroke	24 mm stroke or less	26 to 99 mm stroke	
20	65.5	80.5	61	66	6 to 99
25	69	84	64	69	
32	72.5		65.5		
40	82		75		
50	83.5		75.5		
63	85		77		

Bore size [mm]	A		B		Applicable stroke range [mm]
	49 mm stroke or less	51 to 99 mm stroke	49 mm stroke or less	51 to 99 mm stroke	
80	121	136	111	116	6 to 99
100	132.5	147.5	120.5	125.5	

**Double acting, Single rod/End lock
With rod side locking**



Bore size [mm]	A		B		Applicable stroke range [mm]
	24 mm stroke or less	26 to 99 mm stroke	24 mm stroke or less	26 to 99 mm stroke	
20	59	80.5	54.5	66	6 to 99
25	62.5	84	57.5	69	
32	65		58		
40	71.5		64.5		
50	73.5		65.5		
63	79		71		

Bore size [mm]	A		B		Applicable stroke range [mm]
	49 mm stroke or less	51 to 99 mm stroke	49 mm stroke or less	51 to 99 mm stroke	
80	113.5	136	103.5	116	6 to 99
100	125	147.5	113	125.5	

5 Low-speed Cylinder (5 to 50 mm/s)

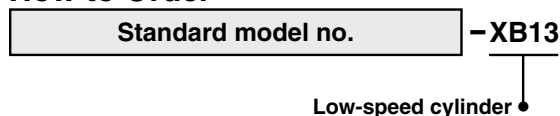
Symbol
-XB13

Stick-slip phenomenon can be prevented, and smooth operation can be achieved even at lower driving speeds between 5 to 50 mm/s.

Description	Model	Action	Note
Compact cylinder	CQ2	Double acting, Single rod	
	CQ2W	Double acting, Double rod	
Axial piping	CQP2	Double acting, Single rod	

- * Operate without lubrication from a pneumatic system lubricator.
- * For the speed adjustment, use speed controllers for controlling at lower speeds. (AS-FM/AS-M series)

How to Order



Specifications

Piston speed	5 to 50 mm/s
Dimensions	Same as the standard type
Specifications other than the above	Same as the standard type

Warning Precautions

Be aware that smoking cigarettes, etc., after your hands have come into contact with the grease used in this cylinder can create a gas that is hazardous to humans.

Standard	Double Acting, Single Rod	CQ2
Standard	Double Acting, Double Rod	CQ2W
Single Acting, Spring Return, End		CQ2
Large Bore Size	Double Acting, Single Rod	CQ2
Large Bore Size	Double Acting, Double Rod	CQ2W
Anti-lateral Load	Double Acting, Single Rod	CQ2 □ S
Long Stroke	Double Acting, Single Rod	CQ2
Non-rotating Rod	Double Acting, Single Rod	CQ2K
Non-rotating Rod	Double Acting, Double Rod	CQ2KW
Water Resistant	Double Acting, Single Rod	CQ2-R/V
Water Resistant	Double Acting, Double Rod	CQ2W-R/V
Axial Piping	Double Acting, Single Rod	CQP2
Axial Piping	Double Acting, Double Rod	CQP2
With End Lock	Double Acting, Single Rod	CBQ2
Auto Switch		Auto Switch
Made to Order		Made to Order

6 Cylinder with Heat-resistant Auto Switch

-XB14

A heat-resistant, compact cylinder which can mount a heat-resistant auto switch (Max. 150°C)

Applicable Series

Description	Model	Action	Note
Compact cylinder	CQ2	Double acting, Single rod	Applicable to $\phi 16$ to $\phi 63$ Excludes models with a rubber bumper Excludes the air-hydro type

How to Order

Standard model no. — **M9NJL** — **XB14**

Auto switch

Symbol	Output
M9NJ	NPN
M9PJ	PNP
F7NJ	NPN

Number of auto switches

Cylinder with heat-resistant auto switch

* Lead wire length symbols
3 m L (Example) M9NJL
5 m Z (Example) M9NJZ

Specifications

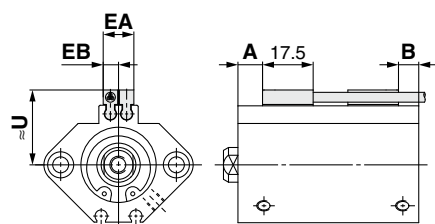
Ambient and fluid temperature range	0 to 150°C
Seal material	Fluororubber
Grease	Heat-resistant grease
Min. stroke for auto switch mounting	15 (Same for both 1 pc. and 2 pcs.)
Specifications other than the above	Same as the standard type

For the detailed specifications of auto switches, refer to the **Web Catalog**.

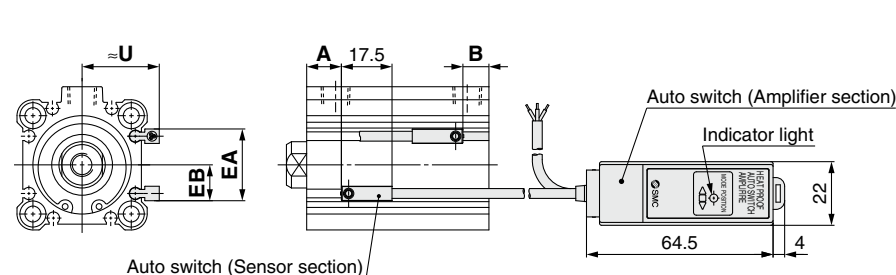
Auto Switch Proper Mounting Position (Detection at stroke end) and Mounting Height

D-M9□J

$\phi 16$ to $\phi 25$

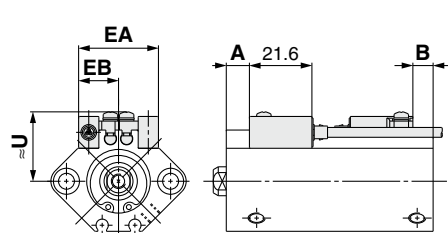


$\phi 32$ to $\phi 63$

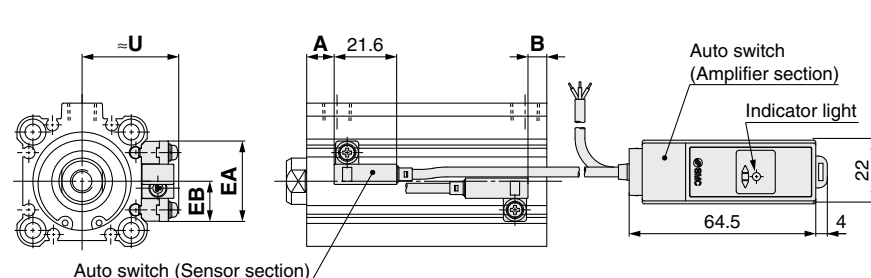


D-F7NJ

$\phi 16$ to $\phi 25$



$\phi 32$ to $\phi 63$



Auto switch model	D-M9□J					D-F7NJ				
	A	B	U	EA	EB	A	B	U	EA	EB
16	9.5	7	21	11	5.5	8	5.5	22.5	28	14
20	9.5	8.5	23.5	11	5.5	8	7	25.5	28	14
25	9.5	9	27	11	5.5	8	7.5	28	28	14
32	11	8	29	25	12.5	9.5	6.5	36	28	14
40	15	10.5	31	30	15	13.5	9	38	33	16.5
50	13	13.5	36	34	17	11.5	12	43.5	37	18.5
63	15.5	16.5	41.5	43	21.5	14	15	48.5	46	23

Operating Range

Auto switch model	Bore size [mm]						
	16	20	25	32	40	50	63
D-M9□J	4.5	4.5	4.5	5	4.5	5	5
D-F7NJ	4.5	4.5	4.5	5	4.5	5	5

* Since the operating range is provided as a guideline at room temperature, it cannot be guaranteed. It may change substantially depending on the ambient environment.

Auto Switch Mounting Bracket Part Nos.

Auto switch model	Bore size [mm]						
	16	20	25	32	40	50	63
D-F7NJL(Z)	BQ4-012			BQJ2-032			

Auto Switch Mounting Bracket Weight

Mounting bracket part no.	Weight [g]
BQ4-012	1.5
BQJ2-032	3.6

* Adjust the auto switch after confirming the operating conditions in the actual setting.

* The dimensions of the cylinder body are equivalent to those of the standard type, double acting, single rod of the CDQ2 series.

* Auto switches are shipped in the same package as the product but do not come assembled for protection purposes. Assemble them by referring to the A and B dimensions for mounting position shown above.

* The tightening torque for the auto switch mounting M2.5 screw is 0.25 to 0.35 N·m.

Symbol

7 Rod End Length Increased by 10 mm (For foot and flange bracket)

-XC2(A)

XC2: The rod end length (L dimension) of the cylinder for mounting a foot, compact foot, or rod flange is 10 mm longer than that of the standard product.

Description	Model	Action	Note
Compact cylinder	CQ2	Double acting, Single rod	Foot, Rod flange
	CQ2	Single acting (Spring return/extend)	Foot, Rod flange
	CQ2W	Double acting, Double rod	Foot
Non-rotating rod	CQ2K	Double acting, Single rod	Foot, Rod flange
	CQ2KW	Double acting, Double rod	Foot
Anti-lateral load	CQ2□S	Double acting, Single rod	Foot, Rod flange

XC2A: The rod end length (L dimension) of the cylinder for mounting a double rod type flange is 10 mm longer than that of the standard product. (On one side only)

Description	Model	Action	Note
Compact cylinder	CQ2W	Double acting, Double rod	Flange
Non-rotating rod	CQ2KW	Double acting, Double rod	Flange

How to Order

C(D)Q2A Standard model no. - **XC2(A)**

● Rod end length increased by 10 mm (For foot and flange bracket)

-XC2	For foot and single rod type rod flange
-XC2A	For double rod type flange

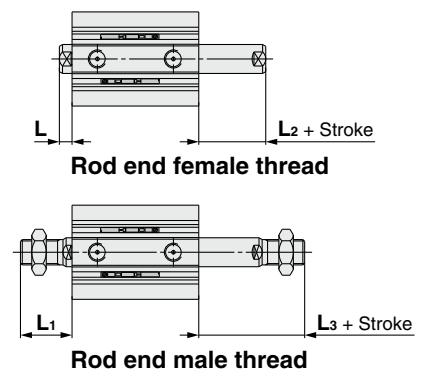
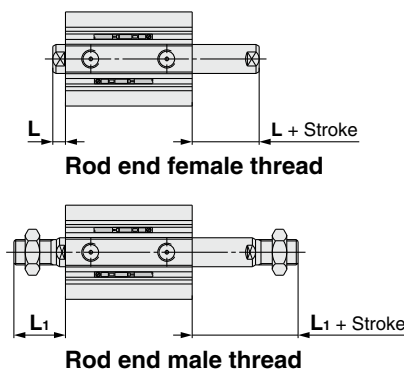
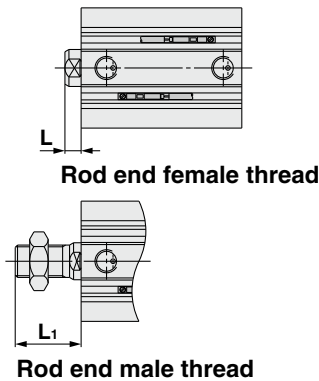
Specifications: Same as those of the standard type

Dimensions (Dimensions other than those below are the same as those of the standard type.)

Double acting, Single rod (-XC2)

Double acting, Double rod (-XC2)

Double acting, Double rod (-XC2A)



XC2: Standard, Anti-lateral load, Non-rotating rod [mm]

Bore size [mm]	Applicable series		Female thread		Male thread	
	Standard Anti-lateral load	Non-rotating rod	L	L1		
12	○	—	13.5	24		
16	○	—	13.5	25.5		
20	○	—	14.5	28.5		
25	○	—	15	32.5		
32	○	—	17	38.5		
40	○	○	17	38.5		
50	○	○	18	43.5		
63	○	○	18	43.5		
80	○	—	20	53.5		
100	○	—	22	53.5		

XC2A: Standard, Non-rotating rod [mm]

Bore size [mm]	Applicable series		Female thread		Male thread	
	Standard	Non-rotating rod	L	L2	L1	L3
12	○	—	13.5	3.5	24	14
16	○	—	13.5	3.5	25.5	15.5
20	○	—	14.5	4.5	28.5	18.5
25	○	—	15	5	32.5	22.5
32	○	—	17	7	38.5	28.5
40	○	○	17	7	38.5	28.5
50	○	○	18	8	43.5	33.5
63	○	○	18	8	43.5	33.5
80	○	—	20	10	53.5	43.5
100	○	—	22	12	53.5	43.5

XC2: CQ2 Single acting

Bore size	End shape Action Stroke	Female thread				Male thread			
		L				L1			
		All strokes	Spring extend			All strokes	Spring extend		
			5	10	20		5	10	20
12		13.5	18.5	23.5	—	24	29	34	—
16		13.5	18.5	23.5	—	25.5	30.5	35.5	—
20		14.5	19.5	24.5	—	28.5	33.5	38.5	—
25		15	20	25	—	32.5	37.5	42.5	—
32		17	22	27	—	38.5	43.5	48.5	—
40		17	22	27	—	38.5	43.5	48.5	—
50		18	—	28	38	43.5	—	53.5	63.5

Standard
Double Acting, Single Rod
CQ2

Standard
Double Acting, Double Rod
CQ2W

Single Acting, Spring Return/Extend
CQ2

Large Bore Size
Double Acting, Double Rod
CQ2W

Anti-lateral Load
Double Acting, Single Rod
CQ2□S

Long Stroke
Double Acting, Single Rod
CQ2

Non-rotating Rod
Double Acting, Single Rod
CQ2K

Non-rotating Rod
Double Acting, Double Rod
CQ2KW

Water Resistant
Double Acting, Single Rod
CQ2-RV

Water Resistant
Double Acting, Double Rod
CQ2W-RV

Axial Piping
Double Acting, Single Rod
CQP2

With End Lock
Double Acting, Single Rod
CBQ2

Auto Switch

Made to Order

8 With Heavy Duty Scraper

Symbol
-XC4

With the heavy duty scraper on the wiper ring, this cylinder is suitable for use in environments where die-cast equipment, construction machinery or industrial vehicles are exposed to dirt or sand, or in environments with significant amounts of dust.

Description	Model	Action	Note
Compact cylinder	CQ2	Double acting, Single rod	Applicable to $\phi 20$ to $\phi 100$ The only mounting option selectable for sizes $\phi 20$ to $\phi 32$ is the (B) through-hole.
	CQ2W	Double acting, Double rod	Applicable to $\phi 40$ to $\phi 100$
Axial piping	CQP2	Double acting, Single rod	Applicable to $\phi 32$ to $\phi 100$
Long stroke	CQ2	Double acting, Single rod	

Specifications

Minimum operating pressure	0.08 MPa
Specifications other than the above	Same as the standard type

⚠ Caution

Do not replace heavy duty scrapers.

- Since heavy duty scrapers are press-fit, do not replace the cover only, but rather the entire rod cover assembly.

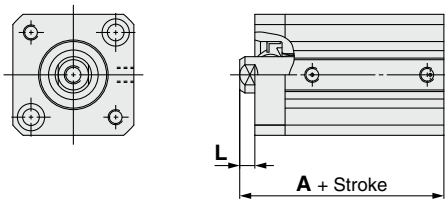
How to Order

Standard model no. - **XC4**
 With heavy duty scraper ↓

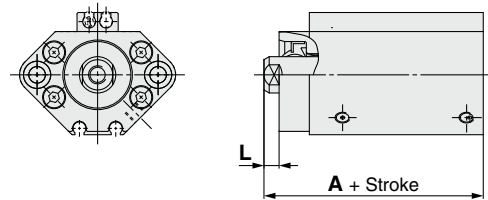
Dimensions (Dimensions other than those below are the same as those of the standard type.)

Double acting, Single rod

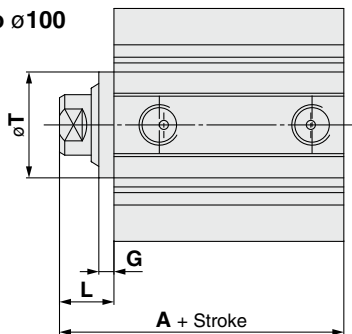
$\phi 20, \phi 25$ (Without auto switch magnet), $\phi 32$



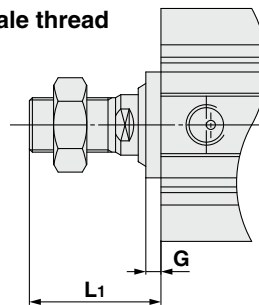
$\phi 20, \phi 25$ (With auto switch magnet)



$\phi 40$ to $\phi 100$



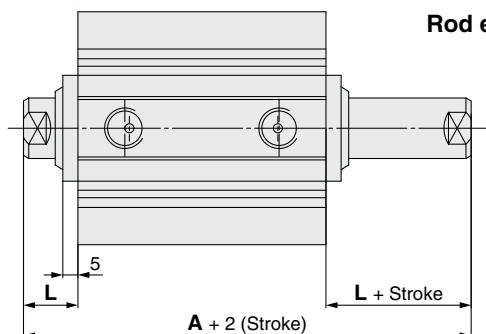
Rod end male thread



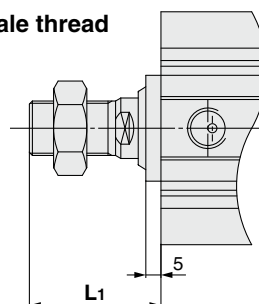
Bore size [mm]	A			G		L		L1		T
	50 mm stroke or less	75, 100 mm stroke	125 to 300 mm stroke	100 mm stroke or less	125 mm stroke or more	100 mm stroke or less	125 to 300 mm stroke	100 mm stroke or less	125 to 300 mm stroke	
20	34 (46)	—	—	—	—	4.5	—	18.5	—	—
25	37.5 (47.5)	—	—	—	—	5	—	22.5	—	—
32	40 (50)	50	67.5	—	—	7	12	28.5	33.5	—
40	46.5 (56.5)	56.5	77	5	10	17	22	38.5	43.5	28
50	48.5 (58.5)	58.5	78.5	5	10	18	23	43.5	48.5	35
63	54 (64)	64	80	5	10	18	23	43.5	48.5	35
80	63.5 (73.5)	73.5	91	5	10	20	25	53.5	58.5	43
100	75 (85)	85	102.5	5	10	22	27	53.5	58.5	59

(): Dimensions with auto switch magnet

Double acting, Double rod



Rod end male thread



Bore size [mm]	A		L	L1
	Up to 50 mm stroke	75, 100 mm stroke		
40	46.5 (56.5)	56.5	17	38.5
50	48.5 (58.5)	58.5	18	43.5
63	54 (64)	64	18	43.5
80	63.5 (73.5)	73.5	20	53.5
100	75 (85)	85	22	53.5

(): Dimensions with auto switch magnet

9 Piston Rod/Retaining Ring/Rod End Nut Material: Stainless Steel

Symbol
-XC6(A)

Suitable for cases in which rust is likely to be generated due to immersion in water or in which corrosion is likely to occur.

Description	Model	Action
Compact cylinder	CQ2	Double acting, Single rod Single acting (Spring return/extend)
	CQ2W	Double acting, Double rod
Axial piping (Centralized piping)	CQP2	Double acting, Single rod
		Single acting (Spring return/extend)
Long stroke	CQ2	Double acting, Single rod
Anti-lateral load	CQ2□S	Double acting, Single rod
Water resistant	CQ2-R/V	Double acting, Single rod
	CQ2W-R/V	Double acting, Double rod

Specifications

Parts changed to stainless steel	Retaining ring, Piston rod, Rod end nut
---	---

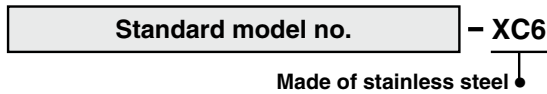
Specifications other than the above and dimensions	Same as the standard type
---	---------------------------

* The rod end nut is also made of stainless steel for the rod end male thread type.

Stainless steel rod end brackets (single knuckle joint, double knuckle joint) are also available.

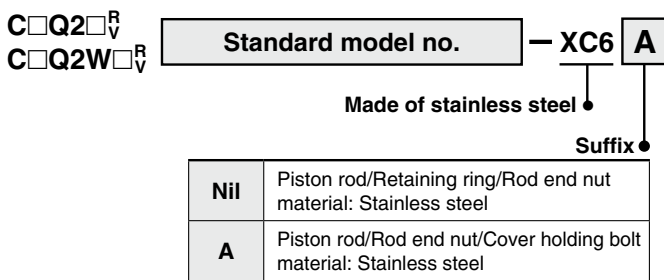
For details ⇨ p. 34

How to Order

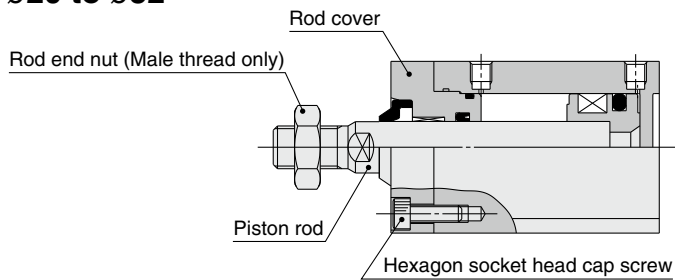


Description	Model	Action
Water resistant	CQ2□^R	Double acting, Single rod
	CQ2W□^R	Double acting, Double rod

How to Order



ø20 to ø32



Specifications

Parts changed to stainless steel	XC6	Retaining ring, Piston rod, Rod end nut
	XC6A^{*1}	Piston rod, Rod end nut, Cover holding bolt

Specifications other than the above and dimensions	Same as the standard type
---	---------------------------

* -XC6A is only applicable to ø20, ø25, and ø32 of the double acting, single rod type.

Standard Double Acting, Single Rod **CQ2**
 Double Acting, Double Rod **CQ2W**
 Single Acting, Spring Return/Extend **CQ2**
 Large Bore Size Double Acting, Single Rod **CQ2**
 Double Acting, Double Rod **CQ2W**
 Anti-lateral Load Double Acting, Single Rod **CQ2□S**
 Long Stroke Double Acting, Single Rod **CQ2**
 Double Acting, Single Rod **CQ2**
 Non-rotating Rod Double Acting, Double Rod **CQ2KW**
 Water Resistant Double Acting, Single Rod **CQ2-R/V**
 Double Acting, Double Rod **CQ2W-R/V**
 Axial Piping Double Acting, Single Rod **CQP2**
 Single Acting, Spring Return/Extend **CQP2**
 With End Lock Double Acting, Single Rod **CBQ2**
 Auto Switch
 Made to Order

10 Adjustable Stroke Cylinder/Adjustable Extension Type

Symbol
-XC8

Adjusts the extending stroke with the stroke-adjusting mechanism equipped in the head side

Description	Model	Action	Note
Compact cylinder	CQ2	Double acting, Single rod	Excludes models with a rubber bumper or mounting bracket
Non-rotating rod	CQ2K	Double acting, Single rod	Excludes models with a rubber bumper or mounting bracket
Air-hydro type	CQ2H	Double acting, Single rod	Excludes models with a mounting bracket

How to Order

Standard model no. **-XC8**

Adjustable stroke cylinder/Adjustable extension type

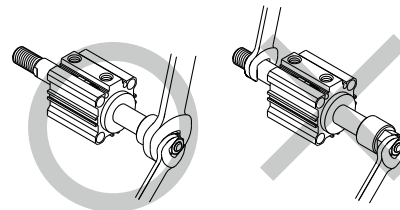
Specifications

Stroke adjustment range [mm]	0 to 10
Specifications other than the above	Same as the standard type

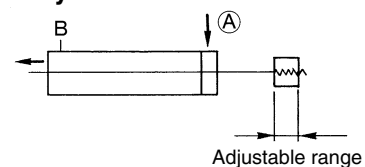
Precautions

Warning

- When the cylinder is operating, if something gets caught between the stopper bracket for adjusting the stroke and the cylinder body, it could cause bodily injury or damage the peripheral equipment. Therefore, take preventive measures as necessary, such as installing a protective cover.
- To adjust the stroke, make sure to secure the wrench flats of the stopper bracket with a wrench, etc., before loosening the lock nut. If the lock nut is loosened without securing the stopper bracket first, be aware that the area that joins the load to the piston rod or the area in which the piston rod is joined with the load side and the stopper bracket side could loosen first. This may cause an accident or malfunction.

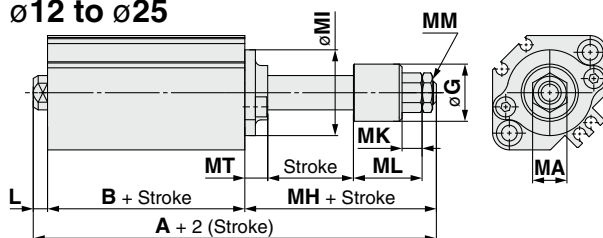


Symbol

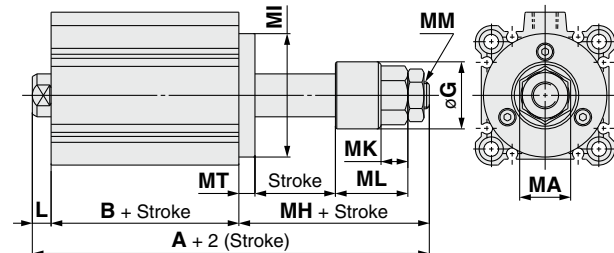


Dimensions (Dimensions other than those below are the same as those of the standard type.)

ø12 to ø25



ø32 to ø100



Bore size [mm]	A		B		L	MH	MT	MA	MI	MM	MK	ML	øG	Manufacturable stroke
	50 mm stroke or less	75, 100 mm stroke	50 mm stroke or less	75, 100 mm stroke										
12	57.7 (64.9)	—	25.2 (32.4)	—	3.5	29	5	8	□25 (ø15)	M4 x 0.7	5.5	20	14	5 to 30
16	58.5 (68.5)	—	26 (36)	—	3.5	29	5	10	□28 (ø20)	M5 x 0.8	5.5	20	14	
20	67.5 (79.5)	—	26 (38)	—	4.5	37	8	12	□36 (ø25)	M6 x 1	7	24	20	5 to 50
25	71 (81)	—	29 (39)	—	5	37	8	12	□40 (ø30)	M6 x 1	7	24	20	
32	78.5 (88.5)	88.5	30.5 (40.5)	40.5	7	41	6	17	ø38	M8 x 1.25	9	28.5	25	5 to 50
40	88 (98)	98	40 (50)	50	7	41	6	19	ø46	M10 x 1.25	10	27	25	75, 100
50	100.5 (110.5)	110.5	40.5 (50.5)	50.5	8	52	8	24	ø57	M14 x 1.5	13	31	35	10 to 50
63	102 (112)	112	42 (52)	52	8	52	10	24	ø68	M14 x 1.5	13	31	35	
80	125 (135)	135	51 (61)	61	10	64	12	32	ø90	M20 x 1.5	16	40	45	
100	138.5 (148.5)	148.5	60.5 (70.5)	70.5	12	66	14	32	ø110	M20 x 1.5	16	40	45	

* (): Dimensions with auto switch magnet

* The symbol is X525 for the long stroke type. ⇨ p. 193

11 Adjustable Stroke Cylinder/Adjustable Retraction Type

Symbol
-XC9

The retract stroke of the cylinder can be adjusted by the adjustment bolt.

Description	Model	Action	Note
Compact cylinder	CQ2	Double acting, Single rod	Excludes models with a rubber bumper or mounting bracket
Non-rotating rod	CQ2K	Double acting, Single rod	Excludes models with a rubber bumper or mounting bracket

How to Order

Standard model no. **-XC9**

Adjustable stroke cylinder/Adjustable retraction type

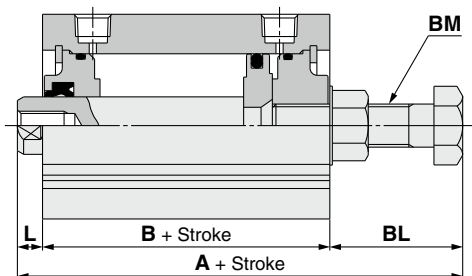
(After adjusting the stroke, the double-side cushion type becomes a single-side cushion type. CQ2 is without cushion.)

Specifications

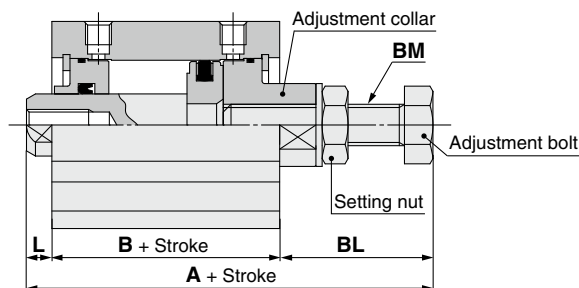
Stroke adjustment range [mm]	0 to 10
Specifications other than the above	Same as the standard type

Dimensions (Dimensions other than those below are the same as those of the standard type.)

ø12, ø16, ø40 to ø100



ø20, ø25, ø32



* When securing the adjustment bolt, clamp the width across flats of the adjustment collar with a tool, such as a spanner and tighten the setting nut with a tool, such as other spanner to secure the bolt firmly.

Bore size [mm]	A		B		L	BL	BM	Manufacturable stroke
	50 mm stroke or less	75, 100 mm stroke	50 mm stroke or less	75, 100 mm stroke				
12	52 (59.2)	—	25.2 (32.4)	—	3.5	23.3	M5 x 0.8	5 to 30
16	53 (63)	—	26 (36)	—	3.5	23.5	M6 x 1	
20	61 (73)	—	26 (38)	—	4.5	30.5	M8 x 1.25	5 to 50
25	63.5 (73.5)	—	29 (39)	—	5	29.5	M8 x 1.25	
32	65.5 (75.5)	75.5	30.5 (40.5)	40.5	7	28	M8 x 1.25	5 to 50
40	84 (94)	94	40 (50)	50	7	37	M12 x 1.5	
50	84.5 (94.5)	94.5	40.5 (50.5)	50.5	8	36	M12 x 1.5	10 to 50
63	88.5 (98.5)	98.5	42 (52)	52	8	38.5	M16 x 1.5	
80	109.5 (119.5)	119.5	51 (61)	61	10	48.5	M20 x 1.5	75, 100
100	125 (135)	135	60.5 (70.5)	70.5	12	52.5	M24 x 1.5	

* (): Dimensions with auto switch magnet

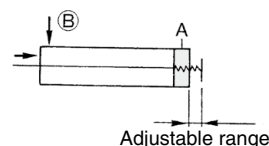
* The symbol is X526 for the long stroke type. ⇨ p. 194

Precautions

Warning

- When air is supplied to the cylinder, if the stroke adjustment bolt is loosened in excess of the allowable stroke adjustment amount, be aware that the stroke adjustment bolt could fly off or air could be discharged, which could injure personnel or damage the peripheral equipment.
- Adjust the stroke when the cylinder is not pressurized. If it is adjusted while in a pressurized state, the seal of the adjustment section could become deformed, leading to air leakage.

Symbol



Standard Double Acting, Single Rod **CQ2**
 Double Acting, Double Rod **CQ2W**
 Single Acting, Spring Return, End **CQ2**
 Double Acting, Single Rod **CQ2**
 Double Acting, Double Rod **CQ2W**
 Large Bore Size Double Acting, Single Rod **CQ2**
 Double Acting, Double Rod **CQ2W**
 Anti-lateral Load Double Acting, Single Rod **CQ2**
 Double Acting, Single Rod **CQ2S**
 Long Stroke Double Acting, Single Rod **CQ2**
 Double Acting, Single Rod **CQ2K**
 Non-rotating Rod Double Acting, Double Rod **CQ2KW**
 Double Acting, Single Rod **CQ2-RV**
 Water Resistant Double Acting, Double Rod **CQ2W-RV**
 Double Acting, Single Rod **CQ2**
 Axial Piping Single Acting, Spring Return, End **CQ2**
 Double Acting, Single Rod **CQ2**
 With End Lock Double Acting, Single Rod **CBQ2**
 Auto Switch

12 Dual Stroke Cylinder/Double Rod Type

2 cylinders are integrated into 1 in a back-to-back configuration allowing for the cylinder stroke to be controlled in three steps.

Description	Model	Action	Note
Compact cylinder	CQ2	Double acting, Single rod	Excludes models with a mounting bracket
Non-rotating rod	CQ2K	Double acting, Single rod	Excludes models with a mounting bracket
Air-hydro type	CQ2H	Double acting, Single rod	Excludes models with a mounting bracket

Specifications

Bore size [mm]	Max. manufacturable stroke [mm]
12, 16	60 (Max. 30 on one side)
20, 25	100 (Max. 50 on one side)
32, 40	200 (Max. 100 on one side)
50 to 100	200 (Max. 100 on one side)

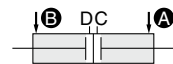
Specifications other than the above Same as the standard type

How to Order

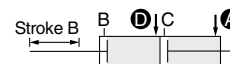
CQ2B Bore size - Stroke S₁ + Stroke S₂ **D(C)(M)(Z)** - **XC10**
Dual stroke cylinder

Symbol

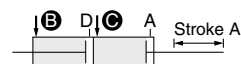
Function



When air pressure is supplied to ports **A** and **B**, both strokes A and B retract.



When air pressure is supplied to ports **A** and **D**, stroke B is operated.



When air pressure is supplied to ports **B** and **C**, stroke A is operated.

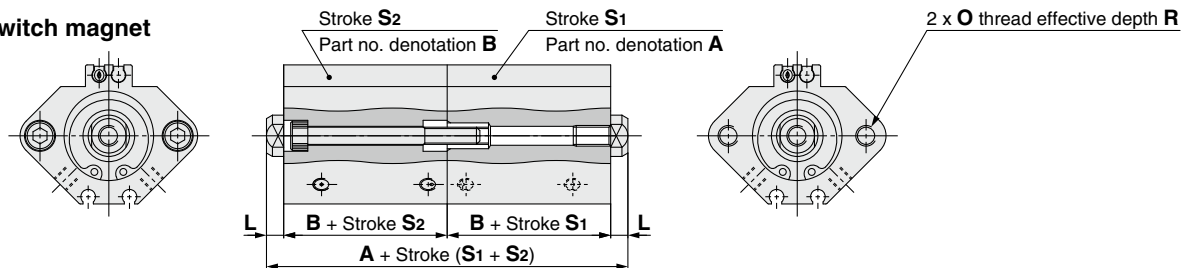


When air pressure is supplied to ports **C** and **D**, both strokes A and B are operated.

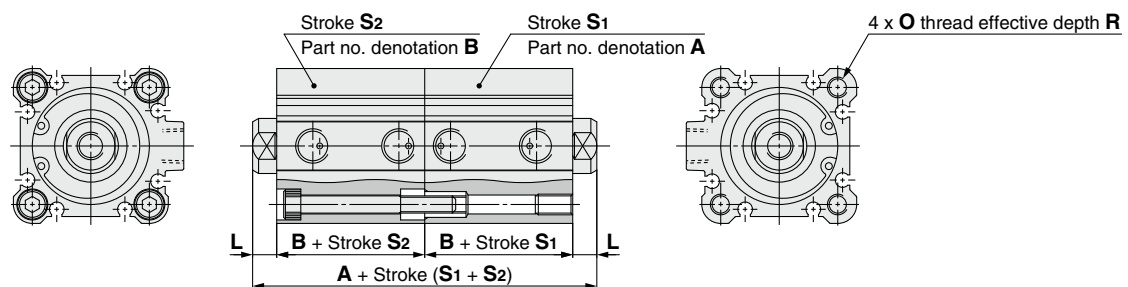
Dimensions (Dimensions other than those below are the same as those of the standard type.)

ø12 to ø25

With auto switch magnet



* In the case of bore sizes ø12 to ø25 with an auto switch, port directions are different.



* Secure the body with the threaded portion at the tip of the piston rod on both sides or with the cylinder tube on the stroke S₁ side tapped.

Bore size [mm]	A			B		L	O	R
	50 st or less for both S ₁ and S ₂	Combination of 50 st or less, 75, 100 st	75, 100 st for both S ₁ and S ₂	50 st or less	75, 100 st			
12	41 (63)	—	—	17 (28)	—	3.5	M4 x 0.7	7
16	44 (68)	—	—	18.5 (30.5)	—	3.5	M4 x 0.7	7
20	48 (72)	—	—	19.5 (31.5)	—	4.5	M6 x 1.0	10
25	55 (75)	—	—	22.5 (32.5)	—	5	M6 x 1.0	10
32	60 (80)	70 (80)	80 (80)	23 (33)	33 (33)	7	M6 x 1.0	10
40	73 (93)	83 (93)	93 (93)	29.5 (39.5)	39.5 (39.5)	7	M6 x 1.0	10
50	77 (97)	87 (97)	97 (97)	30.5 (40.5)	40.5 (40.5)	8	M8 x 1.25	14
63	88 (108)	98 (108)	108 (108)	36 (46)	46 (46)	8	M10 x 1.5	18
80	107 (127)	117 (127)	127 (127)	43.5 (53.5)	53.5 (53.5)	10	M12 x 1.75	22
100	130 (150)	140 (150)	150 (150)	53 (63)	63 (63)	12	M12 x 1.75	22

(): Dimensions with auto switch

* Applicable stroke available in 5 mm increments

Symbol
-XC11

13 Dual Stroke Cylinder/Single Rod Type

Two cylinders can be integrated by connecting them in line, and the cylinder stroke can be controlled in two stages in both directions.

Description	Model	Action	Note
Compact cylinder	CQ2	Double acting, Single rod	Excludes models with a mounting bracket
Non-rotating rod	CQ2K	Double acting, Single rod	Excludes models with a mounting bracket
Air-hydro type	CQ2H	Double acting, Single rod	Excludes models with a mounting bracket

Specifications

Bore size [mm]	Max. manufacturable stroke [mm]
12, 16	30 for both S ₁ and S ₂
20 to 100	50 for both S ₁ and S ₂

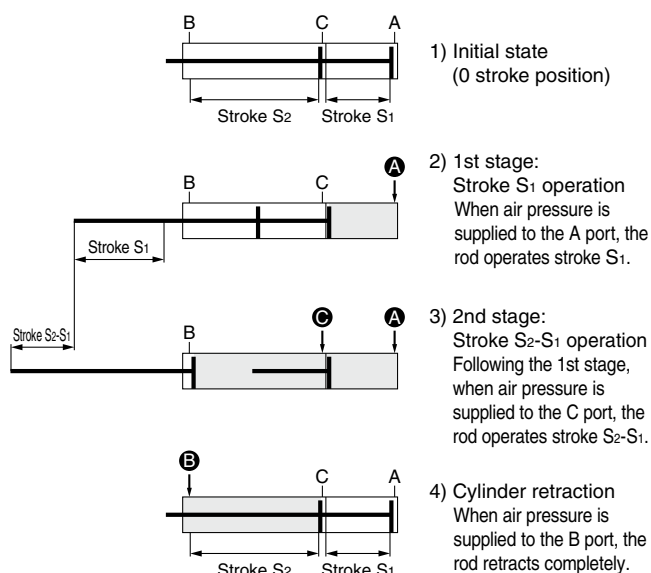
Specifications other than the above Same as the standard type

* The max. manufacturable stroke is the combination of stroke 1 and stroke 2.

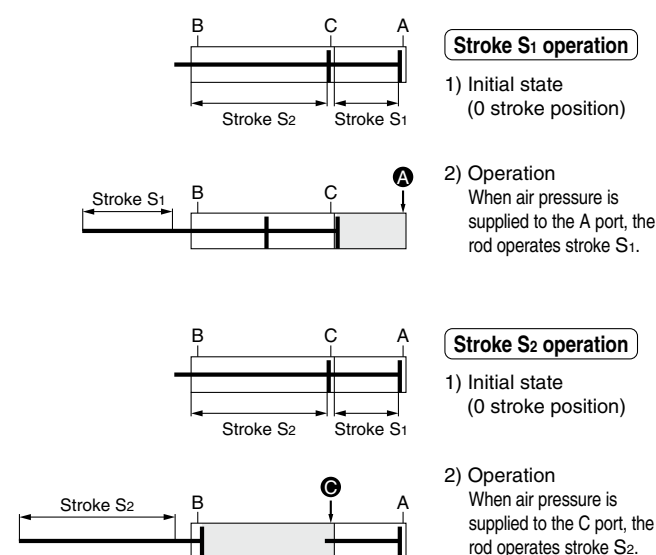
How to Order

CQ2B Bore size - Stroke S₁ + Stroke S₂-S₁ **D(C)(M)(Z)** - **XC11**
Dual stroke cylinder/Single rod type

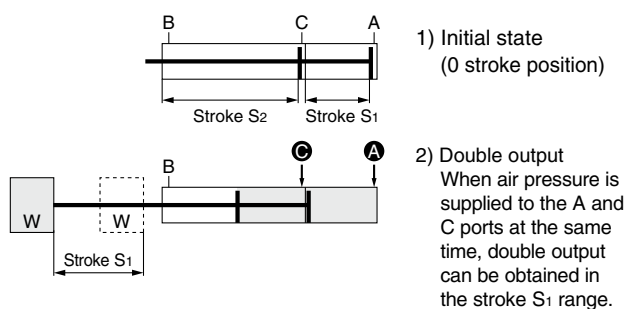
Functional description of dual stroke cylinder



Stroke S₁ and stroke S₂ can be operated individually.



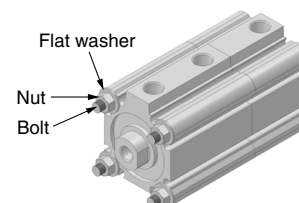
Double output is possible.



Precautions

⚠ Caution

- Remove the temporary fixing nut and flat washer from the mounting bolt, and secure the cylinder properly with the mounting bolt.
- Although the cylinder can be detached by removing the nut, do not detach it for purposes other than replacing the seal.
- Do not supply air to the cylinder until it has been properly secured with the mounting bolt.
If air is supplied prematurely, the cylinder may lurch, resulting in injury to nearby personnel or damage to peripheral equipment.
- The removed nut and flat washer are not used to secure the body.



Standard
Double Acting, Single Rod **CQ2**
Double Acting, Double Rod **CQ2W**
Single Acting, Spring Return, End **CQ2**

Large Bore Size
Double Acting, Double Rod **CQ2W**
Double Acting, Single Rod **CQ2**

Anti-lateral Load
Double Acting, Single Rod **CQ2S**
Double Acting, Double Rod **CQ2**

Long Stroke
Double Acting, Single Rod **CQ2K**
Double Acting, Double Rod **CQ2W**

Non-rotating Rod
Double Acting, Double Rod **CQ2KW**
Double Acting, Single Rod **CQ2R/V**

Water Resistant
Double Acting, Double Rod **CQ2W-RV**
Double Acting, Single Rod **CQ2R/V**

Axial Piping
Double Acting, Single Rod **CQP2**
Single Acting, Spring Return, End **CQP2**

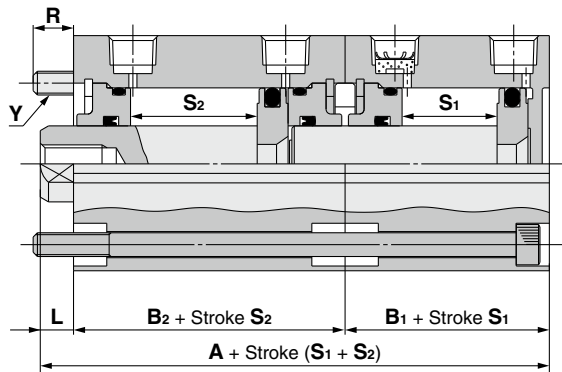
With End Lock
Double Acting, Single Rod **CBQ2**
Double Acting, Double Rod **CQ2W**

Auto Switch

Made to Order

13 Dual Stroke Cylinder/Single Rod Type

Dimensions (Dimensions other than those below are the same as those of the standard type.)



* This cylinder includes mounting bolts to secure the cylinder.

Bore size [mm]	A	B ₁	B ₂	L	R	Y	Stroke Both S ₁ and S ₂
12	45.7 (63.9)	17 (28)	25.2 (32.4)	3.5	6.3 (8.1)	M3 x 0.5	5 to 30
16	48 (70)	18.5 (30.5)	26 (36)	3.5	9 (7)		
20	50 (74)	19.5 (31.5)	26 (38)	4.5	11.5 (7.5)	M5 x 0.8	5 to 50
25	56.5 (76.5)	22.5 (32.5)	29 (39)	5	10.5		
32	60.5 (80.5)	23 (33)	30.5 (40.5)	7	8.5		
40	76.5 (96.5)	29.5 (39.5)	40 (50)	7	7.5	M6 x 1	10 to 50
50	79 (99)	30.5 (40.5)	40.5 (50.5)	8	12		
63	86 (106)	36 (46)	42 (52)	8	12.5	M8 x 1.25	10 to 50
80	104.5 (124.5)	43.5 (53.5)	51 (61)	10	19	M10 x 1.5	
100	125.5 (145.5)	53 (63)	60.5 (70.5)	12	15		

* (): Dimensions with auto switch magnet

* The symbol is X636 for the long stroke type. ⇨ p. 195

14 With Split Pins for Double Clevis Pin/Double Knuckle Joint Pin and Flat Washers

Symbol
-XC26

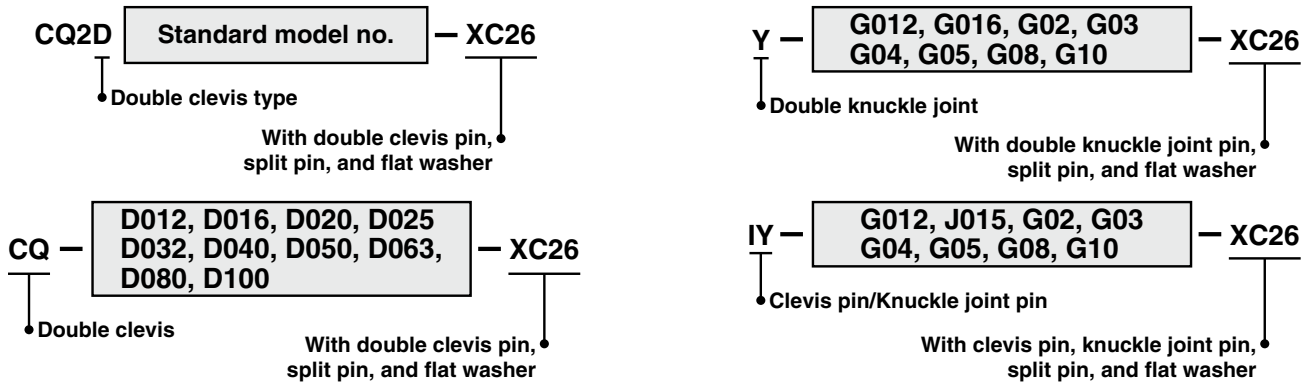
A pin for double clevis or double knuckle joint has been changed to a split pin, and split pins and flat washers have been added.

Description	Model	Action	Note
Compact cylinder	CQ2	Double acting, Single rod	Double clevis (D) mounting only
		Single acting (Spring return/extend)	
Long stroke	CQ2	Double acting, Single rod	
Non-rotating rod*1	CQ2K	Double acting, Single rod	
Anti-lateral load	CQ2□S	Double acting, Single rod	
Water resistant*2	CQ2-R/V	Double acting, Single rod	
With end lock*3	CBQ2	Double acting, Single rod	

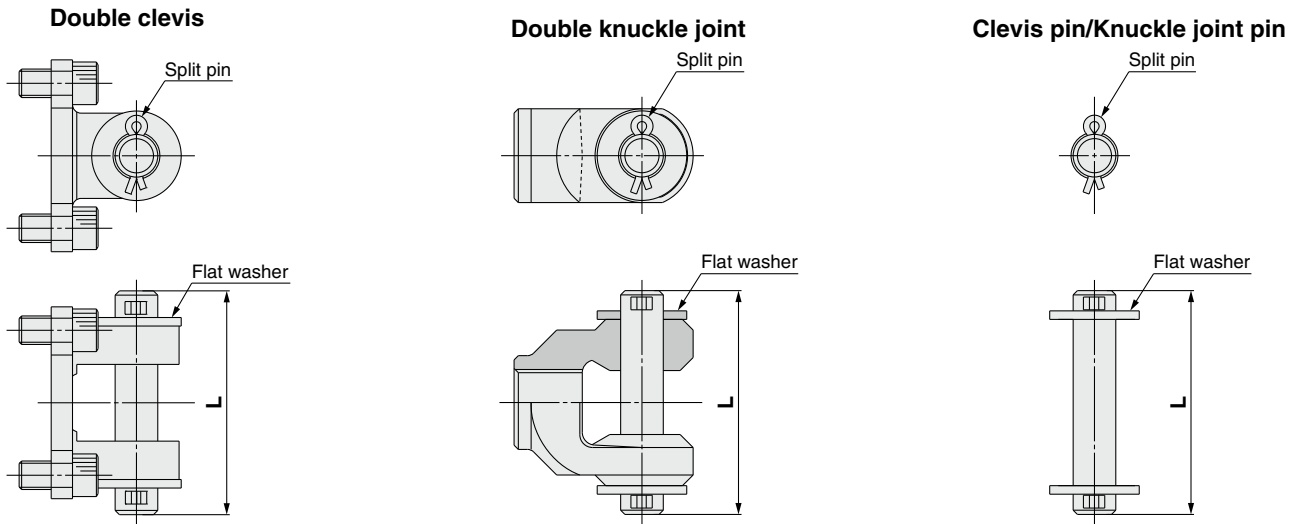
Specifications:
Same as those of the standard type

- *1 Applicable to ø40 to ø63
- *2 Applicable to ø40 to ø100
- *3 Applicable to ø32 to ø100

How to Order



Dimensions (Dimensions other than those below are the same as those of the standard type.)



* Body mounting bolts, pin, split pins, and flat washers are included.

* A pin, split pins, and flat washers are included.

* Split pins and flat washers are included.

Bore size [mm]	Double clevis	Double knuckle joint	Clevis pin Knuckle joint pin	L [mm]
12	CQ-D012-XC26	Y-G012-XC26	IY-G012-XC26	21
16	CQ-D016-XC26	Y-G016-XC26	IY-J015-XC26	23
20	CQ-D020-XC26	Y-G02-XC26	IY-G02-XC26	31
25	CQ-D025-XC26	Y-G03-XC26	IY-G03-XC26	36.5
32	CQ-D032-XC26	Y-G04-XC26	IY-G04-XC26	52.5
40	CQ-D040-XC26			
50	CQ-D050-XC26	Y-G05-XC26	IY-G05-XC26	66
63	CQ-D063-XC26			
80	CQ-D080-XC26	Y-G08-XC26	IY-G08-XC26	78
100	CQ-D100-XC26	Y-G10-XC26	IY-G10-XC26	86

Standard Double Acting, Single Rod CQ2

Standard Double Acting, Double Rod CQ2W

Large Bore Size Double Acting, Double Rod CQ2W

Anti-lateral Load Double Acting, Single Rod CQ2□S

Long Stroke Double Acting, Single Rod CQ2

Non-rotating Rod Double Acting, Double Rod CQ2K

Water Resistant Double Acting, Single Rod CQ2-R/V

Water Resistant Double Acting, Double Rod CQ2W-R/V

Axial Piping Double Acting, Single Rod CQP2

With End Lock Double Acting, Single Rod CBQ2

Auto Switch

Made to Order

CQ2 Series

Symbol

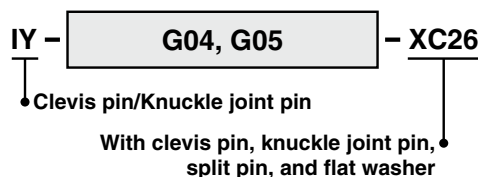
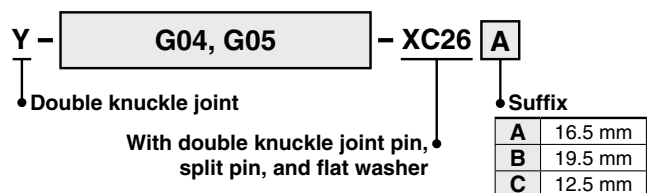
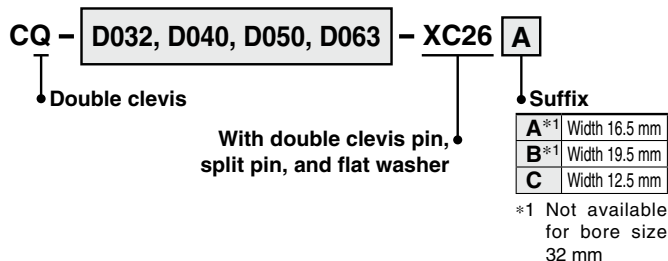
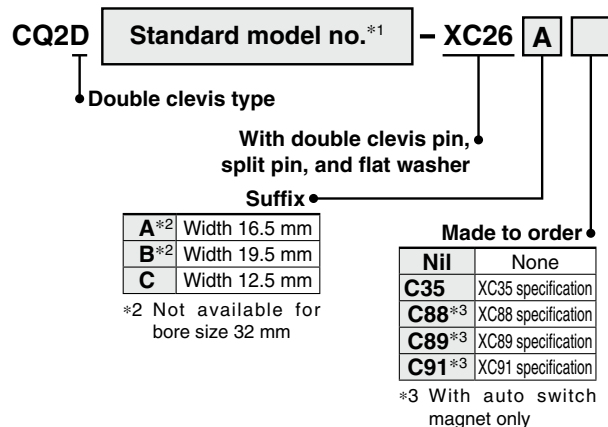
15 Double Clevis Width 12.5 mm, 16.5 mm, or 19.5 mm: With Double Clevis and Double Knuckle Joint **-XC26**

3 different double clevis widths and double knuckle joint widths are selectable: 12.5 mm, 16.5 mm, or 19.5 mm

Description	Model	Action	Note
Compact cylinder	CQ2	Double acting, Single rod	Applicable to $\phi 32$ to $\phi 63$ Double clevis (D) mounting only
Long stroke	CQ2		
Anti-lateral load	CQ2 □S		

Specifications:
Same as those of the standard type

How to Order



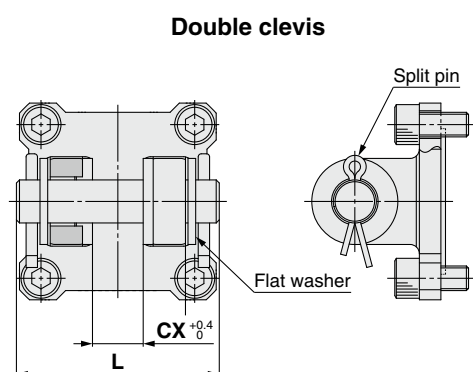
*1 Can be ordered with a rod end bracket (double knuckle joint)

Applicable Made to Order Options

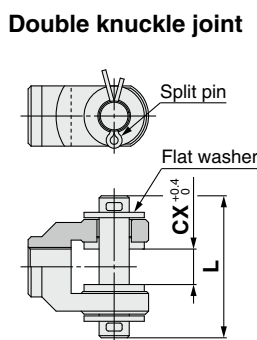
Series	Made to order			
	XC35	XC88	XC89	XC91
Compact cylinder	●	●	●	—
Long stroke	●	●	●	●
Anti-lateral load	—	—	●	●

* For details on XC35 ⇨ p. 188
For details on XC88, 89, and 91 ⇨ p. 190

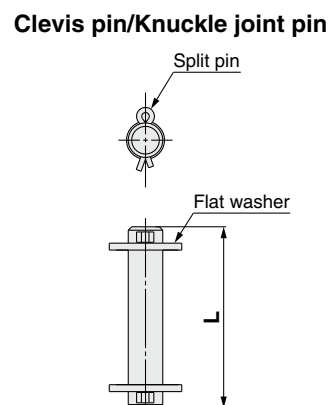
Dimensions (Dimensions other than those below are the same as those of the standard type.)



* Body mounting bolts, pin, split pins, and flat washers are included.



* A pin, split pins, and flat washers are included.



* Split pins and flat washers are included.

Bore size [mm]	Double clevis		Double knuckle joint		Clevis pin Knuckle joint pin		
	Model	Model	Model	Model	CX	L	
32	CQ-D032-XC26C	Y-G04-XC26C	Y-G04-XC26C	Y-G04-XC26A	12.5	52.5	
	CQ-D040-XC26A	Y-G04-XC26A			16.5		
40	CQ-D040-XC26B	Y-G04-XC26B	Y-G04-XC26C	Y-G05-XC26A	19.5		
	CQ-D040-XC26C	Y-G04-XC26C			12.5		
	CQ-D050-XC26A	Y-G05-XC26A			16.5		
50	CQ-D050-XC26B	Y-G05-XC26B	Y-G05-XC26C	Y-G05-XC26A	19.5		66
	CQ-D050-XC26C	Y-G05-XC26C			12.5		
	CQ-D063-XC26A	Y-G05-XC26A			16.5		
63	CQ-D063-XC26B	Y-G05-XC26B	Y-G05-XC26C	Y-G05-XC26A	19.5		
	CQ-D063-XC26C	Y-G05-XC26C			12.5		
	CQ-D063-XC26C	Y-G05-XC26C			12.5		

16 Double Clevis Pin/Double Knuckle Joint Pin Material: Stainless Steel 304 **Symbol**
-XC27

To prevent the oscillating portion of the double clevis or the double knuckle joint from rusting, the material of the pin and the retaining ring has been changed to stainless steel.

Description	Model	Action
Compact cylinder	CQ2	Double acting, Single rod*1 Single acting (Spring return/extend)*1
Long stroke	CQ2	Double acting, Single rod
Anti-lateral load	CQ2□S	Double acting, Single rod
Non-rotating rod	CQ2K	Double acting, Single rod

*1 Excludes cylinders with double knuckle joint bracket in How to Order

Stainless steel rod end brackets (single knuckle joint, double knuckle joint) and accessories (rod end nut) are also available.

For details ⇨ p. 34

How to Order

CQ2D Standard model no. **-XC27**

↓ Double clevis type Double clevis pin made of stainless steel ↓

Y - G012, G016, G02, G03, G04, G05, G08, G10 **-XC27**

↓ Double knuckle joint Double knuckle joint pin made of stainless steel ↓

IY - G012*1, G02, G03, G04, G05, G08, G10 **-XC27**

↓ Clevis pin/
Knuckle pin Clevis pin made of stainless steel
Knuckle pin ↓

*1 Stainless steel specification for IY-J015 (ø16 knuckle pin) is IY-J015SUS.

Specifications

Mounting type	Double clevis type (D), double knuckle joint only
Pin and retaining ring material	Stainless steel 304
Specifications other than the above	Same as the standard type

17 With Coil Scraper **Symbol**
-XC35

Removes frost, ice, weld spatter, cutting chips, etc. adhered to the piston rod, protecting the seals.

Description	Model	Action	Note
Compact cylinder	CQ2	Double acting, Single rod	Applicable to ø32 to ø100
	CQ2W	Double acting, Double rod	Applicable to ø32 to ø100
Axial piping	CQP2	Double acting, Single rod	Applicable to ø32 to ø100 Excludes models with a mounting bracket
Long stroke	CQ2	Double acting, Single rod	Applicable to ø32 to ø100

How to Order

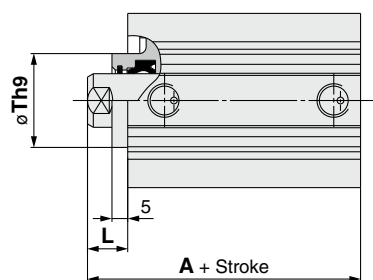
Standard model no. **-XC35**

↓ With coil scraper ↓

Specifications: Same as those of the standard type

Dimensions (Dimensions other than those below are the same as those of the standard type.)

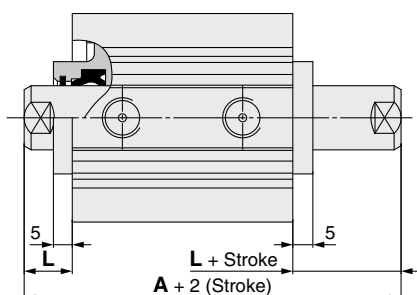
Double acting, Single rod



Bore size [mm]	A				L		T
	50 mm stroke or less	75, 100 mm stroke	125 to 300 mm stroke	100 mm stroke or less	125 to 300 mm stroke		
32	35 (45)	45	62.5	12	17	23 ⁺⁰ _{-0.052}	
40	41.5 (51.5)	51.5	72	12	17	28 ⁺⁰ _{-0.052}	
50	43.5 (53.5)	53.5	73.5	13	18	35 ⁺⁰ _{-0.062}	
63	49 (59)	59	75	13	18	35 ⁺⁰ _{-0.062}	
80	58.5 (68.5)	68.5	86	15	20	43 ⁺⁰ _{-0.062}	
100	70 (80)	80	97.5	17	22	59 ⁺⁰ _{-0.074}	

* (): Dimensions with auto switch magnet

Double acting, Double rod



Bore size [mm]	A		L
	50 mm stroke or less	75, 100 mm stroke	
32	54.5 (64.5)	64.5	12
40	64 (74)	74	12
50	66.5 (76.5)	76.5	13
63	68 (78)	78	13
80	81 (91)	91	15
100	94.5 (104.5)	104.5	17

* (): Dimensions with auto switch magnet

Standard Double Acting, Single Rod **CQ2**
 Double Acting, Double Rod **CQ2W**
 Single Acting, Spring Return/Extend **CQ2**
 Large Bore Size Double Acting, Single Rod **CQ2**
 Double Acting, Double Rod **CQ2W**
 Anti-lateral Load Double Acting, Single Rod **CQ2□S**
 Double Acting, Double Rod **CQ2W**
 Long Stroke Double Acting, Single Rod **CQ2**
 Double Acting, Double Rod **CQ2W**
 Non-rotating Rod Double Acting, Single Rod **CQ2K**
 Double Acting, Double Rod **CQ2KW**
 Water Resistant Double Acting, Single Rod **CQ2-R/V**
 Double Acting, Double Rod **CQ2W-R/V**
 Axial Piping Single Acting, Spring Return/Extend **CQP2**
 Double Acting, Single Rod **CQP2**
 With End Lock Double Acting, Single Rod **CBQ2**
 Auto Switch **Auto Switch**
 Made to Order

18 With Boss on Rod End

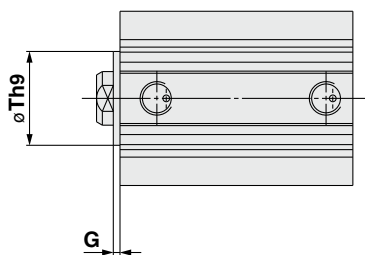
Symbol
-XC36

Cylinder with boss on rod end

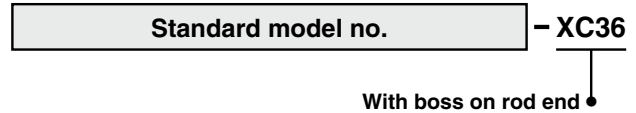
Description	Model	Action
Compact cylinder	CQ2	Double acting, Single rod Single acting (Spring return/extend)
	CQ2W	Double acting, Double rod
Long stroke*1	CQ2	Double acting, Single rod
Non-rotating rod*1	CQ2K	Double acting, Single rod
	CQ2KW	Double acting, Double rod
Axial piping	CQP2	Double acting, Single rod
		Single acting (Spring return/extend)

- *1 The standard model can be used for long strokes and non-rotating rod types (single rod or double rod).
- * For the double rod type, it comes with boss for both sides.
- * Excludes models with a mounting bracket
- * Excludes ø125 or more

Dimensions (Dimensions other than those below are the same as those of the standard type.)



How to Order



Specifications: Same as those of the standard type

Bore size [mm]	Th9	G
12	15 ⁰ _{-0.043}	1.5
16	20 ⁰ _{-0.052}	1.5
20	13 ⁰ _{-0.043}	2
25	15 ⁰ _{-0.043}	2
32	21 ⁰ _{-0.052}	2
40	28 ⁰ _{-0.052}	2
50	35 ⁰ _{-0.062}	2
63	35 ⁰ _{-0.062}	2
80	43 ⁰ _{-0.062}	2
100	59 ⁰ _{-0.074}	2

19 Grease for Food Processing Equipment

Symbol
-XC85

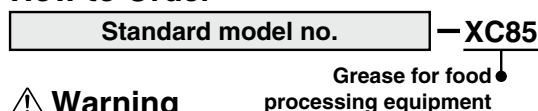
Food grade grease (certified by NSF-H1) is used.

Description	Model	Action
Compact cylinder	CQ2	Double acting, Single rod
	CQ2	Single acting (Spring return/extend)
	CQ2W	Double acting, Double rod
Large bore size	CQ2	Double acting, Single rod
Long stroke	CQ2W	Double acting, Double rod
Non-rotating rod	CQ2K	Double acting, Single rod
	CQ2KW	Double acting, Double rod
Water resistant	CQ2-R/V	Double acting, Single rod
	CQ2W-R/V	Double acting, Double rod
Axial piping	CQP2	Double acting, Single rod
		Single acting (Spring return/extend)
Anti-lateral load	CQ2□S	Double acting, Single rod
With end lock	CBQ2	Double acting, Single rod

Specifications

Grease	Grease for food processing equipment
Dimensions	Same as the standard type
Specifications other than the above	Same as the standard type

How to Order



Warning Precautions

Be aware that smoking cigarettes, etc., after your hands have come into contact with the grease used in this cylinder can create a gas that is hazardous to humans.

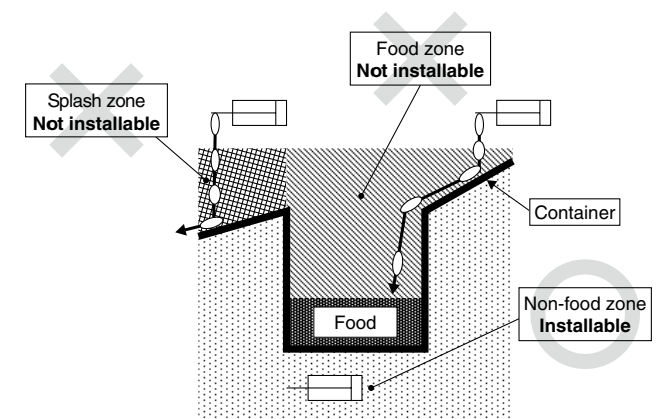
<Not installable>

Food zone.....An environment where food which will be sold as merchandize, directly touches the cylinder's components

Splash zone.....An environment where food which will not be sold as merchandize, directly touches the cylinder's components

<Installable>

Non-food zone.....An environment where there is no contact with food



- * Avoid using this product in the food zone. (Refer to the figure above.)
- * When the product is used in an area of liquid splash, or a water resistant function is required for the product.
- * Operate without lubrication from a pneumatic system lubricator.
- * Use the following grease pack for the maintenance work. GR-H-010 (Grease: 10 g)
- * Please contact SMC for details on the maintenance intervals for this cylinder, which differ from those of the standard cylinder.

20 Spatter-resistant Coil Scraper, Lube-retainer, Grease for Welding (Piston rod: Stainless steel 304) **-XC88** **Symbol**

21 Spatter-resistant Coil Scraper, Lube-retainer, Grease for Welding (Piston rod: S45C) **-XC89**

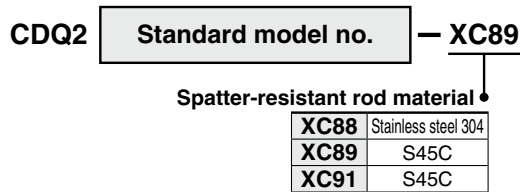
Reduces spatter adhesion and improves durability by the use of the coil scraper, Lube-retainer and grease for welding

22 Spatter-resistant Coil Scraper, Grease for Welding (Piston rod: S45C) **-XC91**

With coil scraper and grease for welding

Series	Description	Model	Action	Note	XC88	XC89	XC91
CQ2	Compact cylinder	CQ2	Double acting, Single rod	With auto switch magnet only	●	●	●
	Long stroke	CQ2	Double acting, Single rod		●	●	—
	Anti-lateral load	CQ2□S	Double acting, Single rod		●	●	—

How to Order



Standard

Specifications

Bore size	ø32, ø40, ø50, ø63, ø80, ø100
Mounting bracket	Excludes the compact foot bracket
Type	Pneumatic
Mounting bolt for the through-hole type	Not included
Dimensions	See below.
Specifications other than the above	Same as the standard type

Long stroke

Specifications

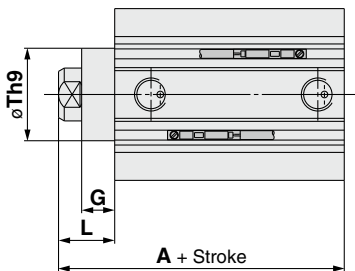
Mounting bracket	Excludes the compact foot bracket
Type	Pneumatic
Cushion	Rubber bumper
Dimensions	See below.
Specifications other than the above	Same as the standard type

Anti-lateral load

Specifications

Mounting bracket	Excludes the compact foot bracket
Dimensions	See below.
Specifications other than the above	Same as the standard type

Dimensions



Bore size [mm]	XC88, 89						XC91			
	A			G	L	Th9	A	G	L	Th9
	Standard	Long stroke	Anti-lateral load							
32	50	67.5	60	10	17	23 ⁰ _{-0.052}	45	5	12	23 ⁰ _{-0.052}
40	56.5	77	66.5	10	17	28 ⁰ _{-0.052}	51.5	5	12	28 ⁰ _{-0.052}
50	58.5	78.5	68.5	10	18	35 ⁰ _{-0.062}	53.5	5	13	35 ⁰ _{-0.062}
63	64	80	74	10	18	35 ⁰ _{-0.062}	59	5	13	35 ⁰ _{-0.062}
80	73.5	91	83.5	10	20	43 ⁰ _{-0.062}	68.5	5	15	43 ⁰ _{-0.062}
100	85	102.5	95	10	22	59 ⁰ _{-0.074}	80	5	17	59 ⁰ _{-0.074}

Made to Order

Part no.	Piston rod material (Hard chrome plating)		Coil scraper	Lube-retainer	Grease for welding
	S45C	Stainless steel 304			
-XC88	—	●	●	●	●
-XC89	●	—	●	●	●
-XC91	●	—	●	—	●

* Use the -XC91 in a place where the distance from the welding portion is far and the spatter scattering is minimized.

Standard Double Acting, Single Rod CQ2

Standard Double Acting, Double Rod CQ2W

Large Bore Size Double Acting, Single Rod CQ2

Large Bore Size Double Acting, Double Rod CQ2W

Anti-lateral Load Double Acting, Single Rod CQ2□S

Long Stroke Double Acting, Single Rod CQ2

Non-rotating Rod Double Acting, Single Rod CQ2KW

Water Resistant Double Acting, Single Rod CQ2-RV

Water Resistant Double Acting, Double Rod CQ2W-RV

Axial Piping Double Acting, Single Rod CQP2

Axial Piping Single Acting, Spring Return CQP2

With End Lock Double Acting, Single Rod CBQ2

Auto Switch

Made to Order

23 Dust-resistant Actuator

Symbol
-XC92

For use in environments with airborne micro-powder (20 to 30 μm or less) such as ceramic powder, toner powder, paper powder, and metallic powder (Excludes weld spatter) 4 times stronger than the standard model

Description	Model	Action	Note
Compact cylinder	CQ2	Double acting, Single rod	Applicable to ø32 to ø100

How to Order

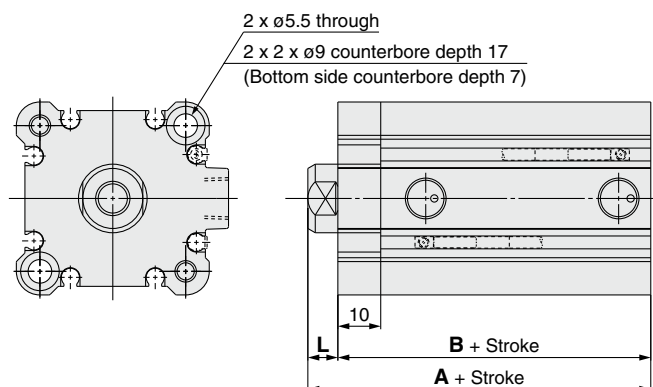
Standard model no. — **XC92**
Dust-resistant actuator

Specifications

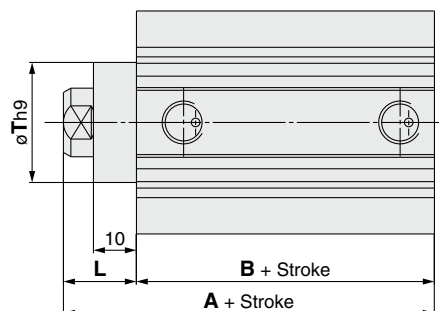
Min. operating pressure	0.1 MPa
Body option	Excludes the type with boss on the head end
Mounting bracket	Mounting brackets are not available for ø32.
Specifications other than the above	Same as the standard type

Dimensions (Dimensions other than those below are the same as those of the standard type.)

ø32



ø40 to ø100



Bore size [mm]	A		B		L	T
	Without auto switch	With auto switch	Without auto switch	With auto switch		
32	40 (50)	50	33 (43)	43	7	—
40	46.5 (56.5)	56.5	29.5 (39.5)	39.5	17	28
50	48.5 (58.5)	58.5	30.5 (40.5)	40.5	18	35
63	54 (64)	64	36 (46)	46	18	35
80	63.5 (73.5)	73.5	43.5 (53.5)	53.5	20	43
100	75 (85)	85	53 (63)	63	22	59

[mm]

* Dimensions inside () are for 75, 100 st.

24 Special Port Location

Symbol
-X144

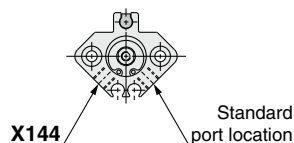
This type is available for changing port location. (Only for ø12 to ø25 with auto switch magnet)

Description	Model	Action	Note
Compact cylinder	CQ2	Double acting, Single rod	Applicable to ø12 to ø25
		Single acting (Spring return/extend)	
	CQ2W	Double acting, Double rod	

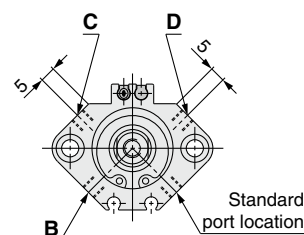
How to Order

Standard model no. — **X144 B**
Special port location
In the case of CDQ2□20, 25, specify the port location with B, C, and D.

ø12, ø16



ø20, ø25



Specifications: Same as those of the standard type

25 Special Rod End for Double Rod Cylinder

Symbol
-X235

A male thread is used at one piston rod end and a female thread is used at the other end for the double rod cylinder.

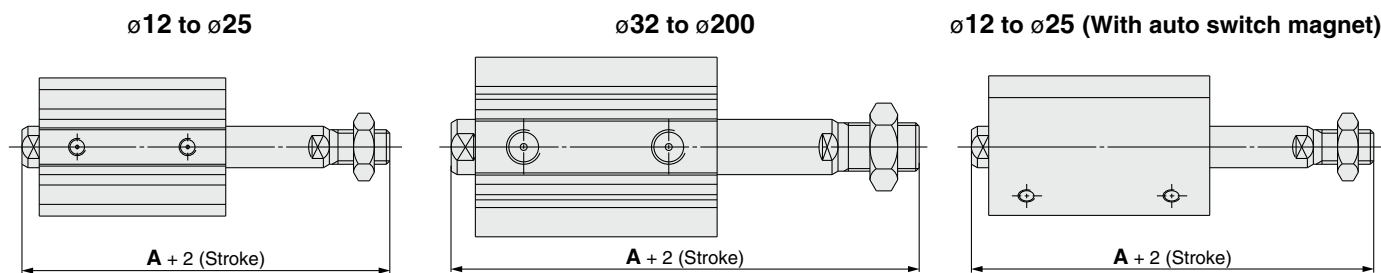
Description	Model	Action	Note
Compact cylinder	CQ2W	Double acting, Double rod	Foot, compact foot, and flange only Excludes body option M (Rod end male thread) and the air-hydro type
Large bore size	CQ2W	Double acting, Double rod	Excludes body option M (Rod end male thread)

Standard model no. — **X235**

• Piston rod end
Male thread, Female thread

Specifications: Same as those of the standard type

Dimensions (Dimensions other than those below are the same as those of the standard type.)



Bore size [mm]	A	
	50 mm stroke or less	75 mm stroke or more
12	42.7 (49.9)	—
16	45 (55)	—
20	49 (61)	—
25	56.5 (66.5)	—
32	66 (76)	76
40	75.5 (85.5)	85.5
50	82 (92)	92
63	83.5 (93.5)	93.5

Bore size [mm]	A	
	50 mm stroke or less	75 mm stroke or more
80	104.5 (114.5)	114.5
100	116 (126)	126
125	157	
140	157	
160	172	
180	183	
200	190	

* (): Dimensions with auto switch

26 Fluororubber Seals

Symbol
-X271

The material of the seals has been changed to fluororubber.

Description	Model	Action	Note
Compact cylinder	CQ2	Double acting, Single rod	With rubber bumper: The bumper material cannot be changed to fluororubber. Excludes the air-hydro type
	CQ2	Single acting (Spring return/extend)	
	CQ2W	Double acting, Double rod	
Large bore size	CQ2	Double acting, Single rod	
	CQ2W	Double acting, Double rod	
Long stroke	CQ2	Double acting, Single rod	
Anti-lateral load	CQ2□S	Double acting, Single rod	
Axial piping	CQP2	Double acting, Single rod	
	CQP2	Single acting (Spring return/extend)	

Standard model no. — **X271**

• Fluororubber seals

Specifications: Same as those of the standard type

Standard
Double Acting, Double Rod
CQ2W

Standard
Single Acting, Spring Return/Extend
CQ2

Large Bore Size
Double Acting, Double Rod
CQ2W

Large Bore Size
Double Acting, Single Rod
CQ2

Anti-lateral Load
Double Acting, Single Rod
CQ2□S

Long Stroke
Double Acting, Single Rod
CQ2

Non-rotating Rod
Double Acting, Single Rod
CQ2KW

Non-rotating Rod
Double Acting, Double Rod
CQ2KW

Water Resistant
Double Acting, Single Rod
CQ2-RV

Water Resistant
Double Acting, Double Rod
CQ2W-RV

Axial Piping
Double Acting, Single Rod
CQP2

Axial Piping
Single Acting, Spring Return/Extend
CQP2

With End Lock
Double Acting, Single Rod
CBQ2

Auto Switch

Made to Order

27 Long Stroke for Adjustable Extension Stroke Cylinder (-XC8)

Description	Model	Action	Note
Compact cylinder	CQ2	Double acting, Single rod	Excludes models with a rubber bumper or mounting bracket

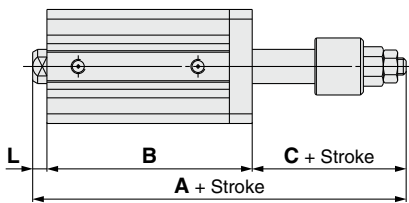
Standard model no. — **X525**

• Long stroke for -XC8

Specifications: Same as those of the standard type

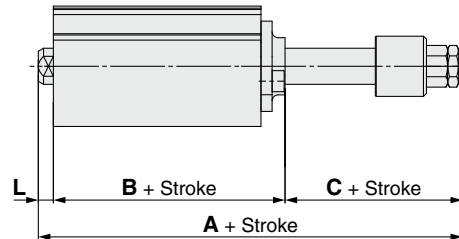
Dimensions (Dimensions other than those below are the same as those of the standard type.)

∅12 to ∅25 (Without auto switch magnet)

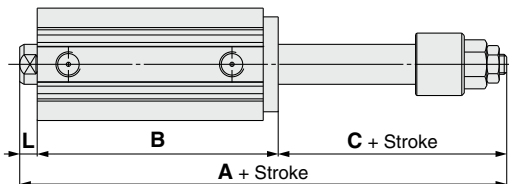


* Only the through-hole mounting type is available.

∅12 to ∅25 (With auto switch magnet)



∅32 to ∅100



∅12, ∅16

Symbol Stroke	A				B				C	L	Applicable stroke
	35 st	40 st	45 st	50 st	35 st	40 st	45 st	50 st			
12	99.9	104.9	109.9	114.9	72.4	77.4	82.4	87.4	24	3.5	35, 40
16	104.5	109.9	114.9	119.5	77	82	87	92	24	3.5	45, 50

∅20 to ∅100

Symbol Stroke	A						B						C	L	Applicable stroke
	55 to 75 st	80 to 100 st	105 to 125 st	130 to 150 st	155 to 175 st	180 to 200 st	55 to 75 st	80 to 100 st	105 to 125 st	130 to 150 st	155 to 175 st	180 to 200 st			
20	155.5	180.5	—	—	—	—	122	147	—	—	—	—	29	4.5	55 to 100
25	156	181	—	—	—	—	122	147	—	—	—	—	29	5	
32	—	—	213.5	238.5	263.5	288.5	—	—	171.5	196.5	221.5	246.5	35	7	105 to 200
40	—	—	223	248	273	298	—	—	181	206	231	256	35	7	
50	—	—	235.5	260.5	285.5	310.5	—	—	183.5	208.5	233.5	258.5	44	8	
63	—	—	237	262	287	312	—	—	187	212	237	262	42	8	
80	—	—	260	285	310	335	—	—	198	223	248	273	52	10	
100	—	—	273.5	298.5	323.5	348.5	—	—	209.5	234.5	259.5	284.5	52	12	

* The dimensions are the same with or without an auto switch magnet.
* Applicable stroke available in 5 mm increments

28 Long Stroke for Adjustable Retraction Stroke Cylinder (-XC9)

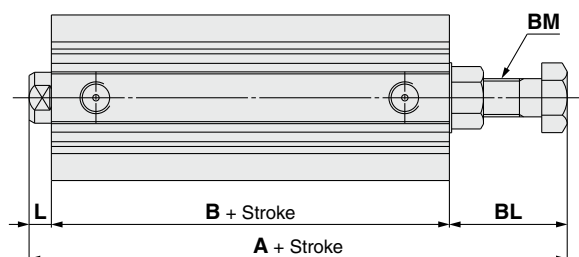
Symbol
-X526

Description	Model	Action	Note
Compact cylinder	CQ2	Double acting, Single rod	Excludes models with a rubber bumper or mounting bracket

Standard model no. — **X526**

Specifications:
Same as those of the standard type • Long stroke for -XC9

Dimensions (Dimensions other than those below are the same as those of the standard type.)



Bore size	Symbol	A	B	L	BL	BM	Applicable stroke
12		59.2 (56.4)	32.4	3.5	23.3 (20.5)	M5 x 0.8	35, 40, 45, 50
16		64	37	3.5	23.5	M6 x 1.0	
20		74	39	4.5	30.5	M8 x 1.25	
25		73.5	39	5	29.5	M8 x 1.25	75, 100
32		75.5	40.5	7	28	M8 x 1.25	
40		94	50	7	37	M12 x 1.5	125, 150
50		94.5	50.5	8	36	M12 x 1.5	
63		98.5	52	8	38.5	M16 x 1.5	
80		119.5	61	10	48.5	M20 x 1.5	175, 200
100		135	70.5	12	52.5	M24 x 1.5	

- * (): Dimensions with auto switch magnet
- * Intermediate strokes (available in 5 mm increments) are available with a spacer. The dimensions are the same as those of 75, 100, 125, 150, 175, 200 mm strokes.

29 Intermediate Stroke for Double Rod Cylinder

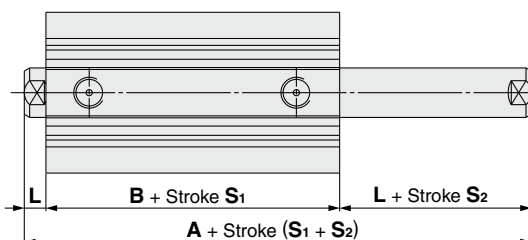
Symbol
-X633

Description	Model	Action	Note
Compact cylinder	CQ2W	Double acting, Double rod	Excludes models with a mounting bracket
Large bore size	CQ2W		
Non-rotating rod	CQ2KW		

Standard model no. — **X633**

Specifications: Same as those of the standard type

Dimensions (Dimensions other than those below are the same as those of the standard type.)



Bore size	Symbol	C(D)Q2W		C(D)Q2KW		L	Stroke S1	Stroke S2
		A	B	A	B			
12		32.2 (39.4)	25.2 (32.4)	37.2 (44.4)	30.2 (37.4)	3.5	5 to 30 mm stroke, 5 mm increments	6 to 29 mm stroke, 1 mm increments
16		33 (43)	26 (36)	38 (48)	31 (41)	3.5		
20		35 (47)	26 (38)	43 (55)	34 (46)	4.5	5 to 50 mm stroke, 5 mm increments	6 to 49 mm stroke, 1 mm increments
25		39 (49)	29 (39)	47 (57)	37 (47)	5		
32		44.5 (54.5)	30.5 (40.5)	53.5 (63.5)	39.5 (49.5)	7	For 5 to 50 mm stroke: 5 mm increments For 50 to 100 mm stroke: 25 mm increments	6 to 99 mm stroke, 1 mm increments
40		54 (64)	40 (50)	54 (64)	40 (50)	7		
50		56.5 (66.5)	40.5 (50.5)	56.5 (66.5)	40.5 (50.5)	8	For 10 to 50 mm stroke: 5 mm increments For 50 to 100 mm stroke: 25 mm increments	11 to 99 mm stroke, 1 mm increments
63		58 (68)	42 (52)	58 (68)	42 (52)	8		
80		71 (81)	51 (61)	—	—	10		
100		84.5 (94.5)	60.5 (70.5)	—	—	12	For 10 to 50 mm stroke: 10 mm increments For 50 to 200 mm stroke: 25 mm increments For 200 to 300 mm stroke: 50 mm increments	15 to 295 mm stroke, 5 mm increments
125		115	83	—	—	16		
140		115	83	—	—	16		
160		125	91	—	—	17		
180		136	102	—	—	17		
200		143	109	—	—	17		

- * (): Dimensions with auto switch magnet
- * Installing a spacer inside the standard cylinder tube, stroke S₁ has 5 mm increments for controlling intermediate strokes in 1 mm increments. Example) In the case of CDQ2WB40-18DZ, stroke S₁ is 20 mm and stroke S₂ is 18 mm.
- * For ø40 to ø100 cylinders with bumper, please consult with SMC.
- * For ø32 to ø100 cylinders, the dimensions of the 75 and 100 mm strokes are the same as those of the dimensions with auto switch in the brackets.

Standard
Double Acting, Double Rod
CQ2W
Single Acting, Spring Return, End
CQ2

Large Bore Size
Double Acting, Double Rod
CQ2W
Double Acting, Single Rod
CQ2

Anti-lateral Load
Double Acting, Single Rod
CQ2
Double Acting, Single Rod
CQ2

Long Stroke
Double Acting, Single Rod
CQ2
Double Acting, Single Rod
CQ2

Non-rotating Rod
Double Acting, Double Rod
CQ2KW
Double Acting, Single Rod
CQ2K

Water Resistant
Double Acting, Double Rod
CQ2W-RV
Double Acting, Single Rod
CQ2-RV

Axial Piping
Double Acting, Single Rod
CQP2
Single Acting, Spring Return, End
CQP2

With End Lock
Double Acting, Single Rod
CBQ2

Auto Switch

Made to Order

30 Long Stroke for Dual Stroke Single Rod Cylinder

Description	Model	Action	Note
Compact cylinder	CQ2	Double acting, Single rod	Excludes the both ends tapped type and models with a mounting bracket

C□Q2B [Bore size] – [Stroke S₁] + [Stroke S₂–S₁] D (C)(M)(Z) – X636

• Long stroke for -XC11

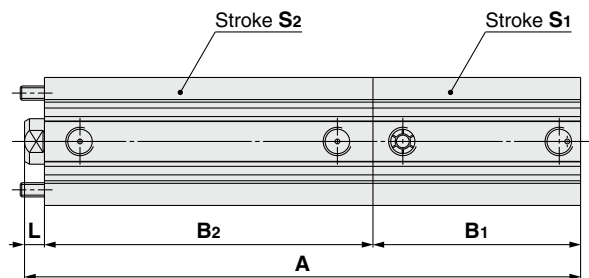
Specifications: Same as those of the standard type

Applicable Strokes [mm]

Bore size	Manufacturable stroke
ø12, ø16	S ₂ 35 to 50
ø20 to ø100	S ₂ 55 to 100
Specifications other than the above	Same as the standard type

* The manufacturable stroke range is the combination of stroke 1 and stroke 2.

Dimensions (Dimensions other than those below are the same as those of the standard type.)



Bore Size: ø12, ø16 [mm]

Symbol Bore size	A	B ₁	B ₂	L	Stroke range	
					S ₁	S ₂
ø12	52.9 (63.9) + Stroke (S ₁ + S ₂)	17 (28) + Stroke S ₁	32.4 + Stroke S ₂	3.5	5 to 30	35 to 50
ø16	58 (70) + Stroke (S ₁ + S ₂)	18.5 (30.5) + Stroke S ₁	36 + Stroke S ₂	3.5	5 to 30	35 to 50

Bore Size: ø20, ø25 [mm]

Symbol Stroke Bore size	A		B ₁	B ₂		L	Stroke range	
	Stroke S ₂			Stroke S ₂			S ₁	S ₂
	55 to 75	80 to 100		55 to 75	80 to 100			
ø20	137 (149) + Stroke S ₁	162 (174) + Stroke S ₁	19.5 (31.5) + Stroke S ₁	113	138	4.5	5 to 50	55 to 100
ø25	141.5 (151.5) + Stroke S ₁	166.5 (176.5) + Stroke S ₁	22.5 (32.5) + Stroke S ₁	114	139	5	5 to 50	55 to 100

Bore Size: ø32 to ø100 [mm]

Symbol Stroke Bore size	A					B ₁			B ₂		L	Stroke range	
	Stroke S ₂ 55 to 75		Stroke S ₂ 80 to 100			Stroke S ₁			Stroke S ₂			S ₁	S ₂
	Stroke S ₁		Stroke S ₁			≤ 50	55 to 75	80 to 100	55 to 75	80 to 100			
	≤ 50	55 to 75	≤ 50	55 to 75	80 to 100								
ø32	145.4 (155.5) + Stroke S ₁	230.5	170.5 (180.5) + Stroke S ₁	255.5	280.5	23 (33) + Stroke S ₁	108	133	115.5	140.5	7	5 to 100	55 to 100
ø40	161.5 (171.5) + Stroke S ₁	246.5	186.5 (196.5) + Stroke S ₁	271.5	296.5	29.5 (39.5) + Stroke S ₁	114.5	139.5	125	150	7	5 to 100	55 to 100
ø50	164 (174) + Stroke S ₁	249	189 (199) + Stroke S ₁	274	299	30.5 (40.5) + Stroke S ₁	115.5	140.5	125.5	150.5	8	10 to 100	55 to 100
ø63	171 (181) + Stroke S ₁	256	196 (206) + Stroke S ₁	281	306	36 (46) + Stroke S ₁	121	146	127	152	8	10 to 100	55 to 100
ø80	189.5 (199.5) + Stroke S ₁	274.5	214.5 (224.5) + Stroke S ₁	299.5	324.5	43.5 (53.5) + Stroke S ₁	128.5	153.5	136	161	10	10 to 100	55 to 100
ø100	210.5 (220.5) + Stroke S ₁	295.5	235.5 (245.5) + Stroke S ₁	320.5	345.5	53 (63) + Stroke S ₁	138	163	145.5	170.5	12	10 to 100	55 to 100

* (): Dimensions with auto switch magnet

* Applicable stroke: Available in 5 mm increments

Symbol
-X1876

31 Cylinder Tube: With Concave Boss on Head End

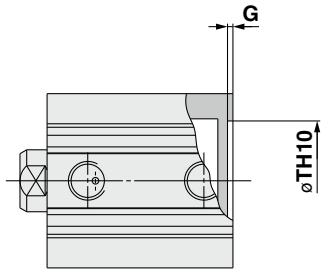
Description	Model	Action	Note
Compact cylinder	CQ2	Double acting, Single rod	Applicable to $\phi 32$ to $\phi 100$
		Single acting (Spring return/extend)	Applicable to $\phi 32$ to $\phi 50$
Non-rotating rod	CQ2K	Double acting, Single rod	Applicable to $\phi 32$ to $\phi 63$
Anti-lateral load	CQ2□S	Double acting, Single rod	

Standard model no. — **X1876**

Specifications:
Same as those of the standard type

• With concave boss on head end

Dimensions (Dimensions other than those below are the same as those of the standard type.)



Bore size [mm]	TH10	G
32	30.9 $\begin{smallmatrix} +0.100 \\ 0 \end{smallmatrix}$	1.4
40	39.3 $\begin{smallmatrix} +0.100 \\ 0 \end{smallmatrix}$	1.3
50	48.7 $\begin{smallmatrix} +0.100 \\ 0 \end{smallmatrix}$	2.1
63	61.5 $\begin{smallmatrix} +0.120 \\ 0 \end{smallmatrix}$	2.4
80	78.3 $\begin{smallmatrix} +0.120 \\ 0 \end{smallmatrix}$	2.7
100	98.9 $\begin{smallmatrix} +0.140 \\ 0 \end{smallmatrix}$	2.8

Standard	Double Acting, Single Rod	CQ2
Standard	Double Acting, Double Rod	CQ2W
Standard	Single Acting, Spring Return/Extend	CQ2
Large Bore Size	Double Acting, Single Rod	CQ2
Large Bore Size	Double Acting, Double Rod	CQ2W
Anti-lateral Load	Double Acting, Single Rod	CQ2□S
Long Stroke	Double Acting, Single Rod	CQ2
Long Stroke	Double Acting, Double Rod	CQ2W
Non-rotating Rod	Double Acting, Single Rod	CQ2K
Non-rotating Rod	Double Acting, Double Rod	CQ2KW
Water Resistant	Double Acting, Single Rod	CQ2-R/V
Water Resistant	Double Acting, Double Rod	CQ2W-R/V
Axial Piping	Double Acting, Single Rod	CQP2
Axial Piping	Single Acting, Spring Return/Extend	CQP2
With End Lock	Double Acting, Single Rod	CBQ2
Auto Switch		Auto Switch
Made to Order		Made to Order



CQ2 Series

Specific Product Precautions 1

Be sure to read this before handling the products. For safety instructions as well as actuator and auto switch precautions, refer to the “Handling Precautions for SMC Products” and the “Operation Manual” on the SMC website: <https://www.smcworld.com>

<Precautions for each series>

Mounting

⚠ Caution

The CQ2 series compact cylinders are designed to create compact mechanical equipment and promote space saving. Thus, if it is used in the same manner as existing cylinders such as tie-rod cylinders, it may degrade the performance. Pay sufficient attention to the operating conditions when using.

1. Allowable lateral load

Lateral load that can apply to the piston rod end is limited. If a cylinder is used with a lateral load over the limit, it may cause air leakage due to abnormal friction of seals, galling of cylinder tubes and pistons, or abnormal friction of the bearing part. The lateral load applied to the piston rod must be within the allowable range indicated in this catalog. When the load exceeds the limit, use a double rod cylinder, install a guide, or change the bore size to suit the load in order to make the load within the allowable range. As a standard product, an anti-lateral load type cylinder that is resistant to approx. 2 times more than the existing compact CQ2 series is also available (page 73).

2. Connection with a workpiece

When a workpiece is mounted on the piston rod end, connect them aligning the center of piston rod and a workpiece. If they are off-center, lateral load is generated and phenomena mentioned in (1) may occur. In order not to apply the off-center load, use of a floating joint or simple joint is recommended.

3. Simultaneous use of multiple cylinders

It is difficult to control the speed of pneumatic cylinders. The following conditions cause speed change: change in supply pressure, load, temperature and lubrication, performance difference of each cylinder, deterioration of each part over time, etc. A speed controller can be used to control the speed of multiple cylinders simultaneously for a short period of time, but depending on conditions, it may not work as desired. If multiple cylinders cannot operate simultaneously, unreasonable force is applied to the piston rod because cylinder positions may not be the same. This may cause abnormal friction of seals and bearings, and galling of cylinder tubes and pistons. Do not use an application to operate several cylinders simultaneously by adjusting cylinder speed. If this is inevitable, use a high rigid guide against load, so that the cylinder is not damaged even when the each cylinder output is slightly different.

<Precautions for each series>

Retaining Ring Installation/Removal

⚠ Caution

1. For installation and removal, use an appropriate pair of pliers (tool for installing a type C retaining ring).
2. Even if a proper plier (tool for installing a type C retaining ring) is used, it is likely to inflict damage to a human body or peripheral equipment, as a retaining ring may be flown out of the tip of a plier (tool for installing a type C retaining ring). Be much careful with the popping of a retaining ring. Besides, be certain that a retaining ring is placed firmly into the groove of rod cover before supplying air at the time of installment.

<Precautions for the standard type $\varnothing 4$ to $\varnothing 10$ >

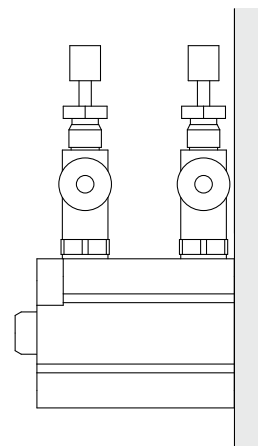
Caution on Mounting Speed Controllers and Fittings

⚠ Caution

Since the cylinder port size of M3 x 0.5 is used, use the series models listed below when connecting speed controllers and fittings directly to cylinders.

1. After manually tightening speed controllers and fittings, tighten approximately a quarter turn more using a tightening tool. In cases where there are gaskets in two places such as universal elbows, universal tees, etc., double the additional tightening to a half turn. If screws are tightened excessively, air leakage may result due to broken threads or a deformed gasket. If screws are tightened insufficiently, looseness and accompanying air leakage are likely to occur.

For speed controllers



With Auto Switch Magnet

Bore size [mm]	6, 10
Port size	M3 x 0.5
AS12□1F-M3-02	○

Without Auto Switch Magnet

Bore size [mm]	4, 6, 10
Port size	M3 x 0.5
AS12□1F-M3-02	○



CQ2 Series

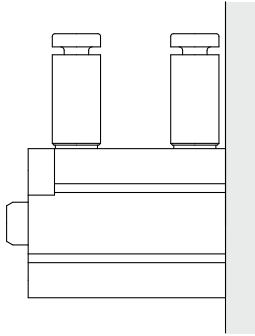
Specific Product Precautions 2

Be sure to read this before handling the products. For safety instructions as well as actuator and auto switch precautions, refer to the “Handling Precautions for SMC Products” and the “Operation Manual” on the SMC website: <https://www.smcworld.com>

<Precautions for the standard type $\varnothing 4$ to $\varnothing 10$ >

Caution on Mounting Speed Controllers and Fittings

For One-touch fittings and hose nipples



With Auto Switch Magnet

Bore size [mm]		6, 10
Port size		M3 x 0.5
Male connector (with hexagon socket head)	KQ2S02-M3G	○
	KQ2S23-M3G	○
Male connector	KQ2H02-M3G	○
Barb fitting	M-3AU-3 & 4	○
	M-3ALU-3 & 4	○

Without Auto Switch Magnet

Bore size [mm]		4, 6, 10
Port size		M3 x 0.5
Male connector (with hexagon socket head)	KQ2S02-M3G	○
	KQ2S23-M3G	○
Male connector	KQ2H02-M3G	○
Male elbow	KQ2L02-M3G	○
Barb fitting	M-3AU-3 & 4	○
	M-3ALU-3 & 4	○

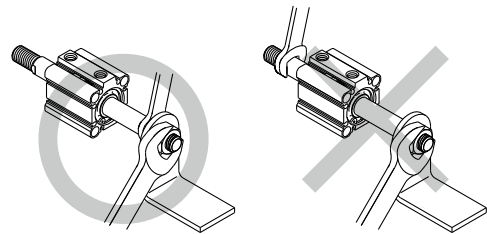
<Precautions for double rod cylinders>

Mounting

⚠ Warning

1. Do not apply reverse torque to the piston rods sticking out from both sides of this cylinder at the same time. The torque makes connection threads inside loosen, which may cause an accident or malfunction.

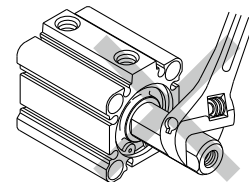
Install or remove loads while the piston rod width across flat is secured. Do not fix the other side of the piston rod width across flat and apply reverse torque.



<Precautions for non-rotating rod cylinders>

Mounting

1. Install or remove loads while the piston rod width across flat is secured.



2. Using a non-rotating rod cylinder

Avoid using the air cylinder in such a way that rotational torque would be applied to the piston rod. If rotational torque is applied, the non-rotating guide will deform, causing a loss of non-rotating accuracy.

Use the table below as a guide for the allowable rotational torque ranges.

Allowable rotational torque	12	16	20	25	32	40	50	63
N·m or less	0.04	0.15	0.20	0.25	0.44	0.44	0.44	0.44

Operate the cylinder in such a way that the load to the piston rod is always applied in the axial direction.

3. When a workpiece is secured to the end of the piston rod, ensure that the piston rod is retracted entirely, and place a wrench on the portion of the rod that protrudes beyond the section. Also, tighten in a way that prevents the tightening torque from being applied to the non-rotating guide.



CQ2 Series

Specific Product Precautions 3

Be sure to read this before handling the products. For safety instructions as well as actuator and auto switch precautions, refer to the “Handling Precautions for SMC Products” and the “Operation Manual” on the SMC website: <https://www.smcworld.com>

<Precautions for water-resistant cylinders>

Handling Precautions

⚠ Caution

1. If there is a possibility of liquid splashing on cylinder fittings, use insert fittings, self-align fittings, steel piping, etc. Consider the compatibility of liquid components and piping materials before using.
2. When selecting seals, generally use NBR (nitrile rubber) seals with liquids that do not contain chlorine and sulfur, and use FKM (fluoro rubber) seals with liquids that contain chlorine and sulfur. However, depending on the type and the brand of liquid (such as coolant liquid) that splashes on the cylinder, the operating life of seals may be reduced dramatically.

Examples of coolant liquid

Shimiron, PA-O-5 (Daido Chemical Industry Co., Ltd.) (NBR seals)
 Noritake Cool, AFG-S (Noritake Co., Ltd.) (NBR seals)
 Yushiroken, S-46S (Yushiro Chemical Industry Co., Ltd.) (NBR seals)
 Yushiroken, EC-50-T3 (Yushiro Chemical Industry Co., Ltd.) (NBR seals)
 Yushiron Oil, No. 23 (Yushiro Chemical Industry Co., Ltd.) (FKM seals)
 Daphne Cut, Hs-1 (Idemitsu Kosan Co., Ltd.) (FKM seals)

3. When the cylinder is exposed to dust or sand, or is used in a place where liquid from the piston rod splashes, use the heavy-duty scraper (-XC4) type.

<Precautions for axial piping type cylinders>

Mounting/Removal

1. Do not remove the hexagon socket head set screw on the side of the rod.
 - Be aware that if the hexagon socket head set screw is removed with compressed air supplied to the cylinder, an internal steel ball could fly out or the compressed air could be discharged, leading to injury to humans or damage to peripheral equipment.

<Precautions for compact cylinders with end lock>

Pneumatic Circuit

⚠ Caution

1. Do not use 3-position solenoid valves.

Avoid use in combination with 3-position solenoid valves (especially closed center metal seal types). If pressure is trapped in the port on the lock mechanism side, the cylinder cannot be locked. Furthermore, even after being locked, the lock may be released after some time, due to air leaking from the solenoid valve and entering the cylinder.

2. Back pressure is required for releasing the lock.

Before starting operation, be sure to control the system so that air is supplied to the side without the lock mechanism as shown in the figure below. There is a possibility that the lock may not be released. (Refer to the section on releasing the lock.)

3. Release the lock for mounting or adjusting the cylinder.

If mounting or other work is performed when the cylinder is locked, the lock unit may be damaged.

4. Operate with a load ratio of 50% or less.

If the load ratio exceeds 50%, this may cause problems such as failure of the lock to release, or damage to the lock unit.

5. Do not operate multiple cylinders in synchronization.

Avoid applications in which two or more end lock cylinders are synchronized to move one workpiece, as one of the cylinder locks may not be able to release when required.

6. Use a speed controller with meter-out control.

Lock cannot be released occasionally by meter-in control.

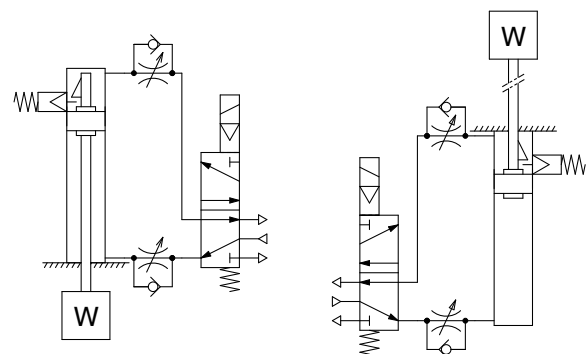
7. Be sure to operate completely to the cylinder stroke end on the side with the lock.

If the cylinder piston does not reach the end of stroke, locking and unlocking may not be possible.

8. Adjust the position of an auto switch, so that it could work at the both positions where it is distanced from the stroke and a backlash (2 mm).

When a 2-color indicator switch is adjusted for green indication at the stroke end, it may change to red for the backlash return, but this is not abnormal.

9. Basic circuit



With head end lock

With rod end lock



CQ2 Series

Specific Product Precautions 4

Be sure to read this before handling the products. For safety instructions as well as actuator and auto switch precautions, refer to the “Handling Precautions for SMC Products” and the “Operation Manual” on the SMC website: <https://www.smcworld.com>

<Precautions for compact cylinders with end lock>

Operating Pressure

⚠ Caution

1. Supply air pressure of 0.15 MPa or higher to the port on the side that has the lock mechanism, as it is necessary for releasing the lock.

Exhaust Speed

⚠ Caution

1. When the pressure on the side with the lock mechanism drops to 0.05 MPa or below, the lock engages automatically. If the piping on the side with the lock mechanism is thin and long, or if the speed controller is away from the cylinder port, the lock engagement may take some time due to decline of the exhaust speed. The same result will be caused by clogging of the silencer installed at the EXH port of the solenoid valve.

Releasing the Lock

⚠ Warning

1. Before releasing the lock, be sure to supply air to the side without the lock mechanism, so that there is no load applied to the lock mechanism when it is released. (Refer to the pneumatic circuits.) If the lock is released when the port on the other side is in an exhaust state, and with a load applied to the lock unit, the lock unit may be subjected to an excessive force and be damaged. Also, it is very dangerous because the piston rod will be rushed to move.

<Precautions for compact cylinders with end lock>

Manual Release

⚠ Caution

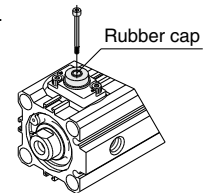
1. Manual release (Non-lock type)

Insert the accessory bolt from the top of the rubber cap (it is not necessary to remove the rubber cap), and after screwing it into the lock piston, pull it to release the lock. If you stop pulling the bolt, the lock will return to an operational state.

Thread sizes, pulling forces and strokes are as shown below.

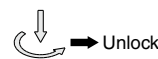
Bore size [mm]	Thread size	Pulling force [N]	Stroke [mm]
20, 25, 32	M2.5 x 0.45 x 25 L or more	4.9	2
40, 50, 63	M3 x 0.5 x 30 L or more	10	3
80, 100	M5 x 0.8 x 40 L or more	24.5	3

Remove the bolt for normal operation.
It can cause lock malfunction or faulty release.

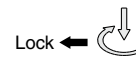


2. Manual release (Lock type)

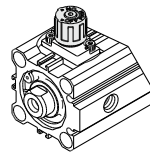
While pushing the M/O knob, turn it 90° counterclockwise. The lock is released (and remains in a released state) by aligning the ▲ mark on the cap with the ▼ OFF mark on the M/O knob. When locking is desired, turn the M/O knob clockwise 90° while pushing fully, correspond ▲ on cap and ▼ ON mark on the M/O knob. The correct position is confirmed by a click sound “click”. If not confirmed, locking is not done.



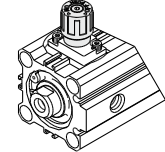
Unlock



Lock




Manually locked state





Manually unlocked state

Safety Instructions

These safety instructions are intended to prevent hazardous situations and/or equipment damage. These instructions indicate the level of potential hazard with the labels of “**Caution**,” “**Warning**” or “**Danger**.” They are all important notes for safety and must be followed in addition to International Standards (ISO/IEC)*1), and other safety regulations.

 **Danger :** **Danger** indicates a hazard with a high level of risk which, if not avoided, will result in death or serious injury.

 **Warning:** **Warning** indicates a hazard with a medium level of risk which, if not avoided, could result in death or serious injury.

 **Caution:** **Caution** indicates a hazard with a low level of risk which, if not avoided, could result in minor or moderate injury.

*1) ISO 4414: Pneumatic fluid power - General rules and safety requirements for systems and their components
ISO 4413: Hydraulic fluid power - General rules and safety requirements for systems and their components
IEC 60204-1: Safety of machinery - Electrical equipment of machines - Part 1: General requirements
ISO 10218-1: Robots and robotic devices - Safety requirements for industrial robots - Part 1: Robots etc.

Warning

1. The compatibility of the product is the responsibility of the person who designs the equipment or decides its specifications.

Since the product specified here is used under various operating conditions, its compatibility with specific equipment must be decided by the person who designs the equipment or decides its specifications based on necessary analysis and test results. The expected performance and safety assurance of the equipment will be the responsibility of the person who has determined its compatibility with the product. This person should also continuously review all specifications of the product referring to its latest catalog information, with a view to giving due consideration to any possibility of equipment failure when configuring the equipment.

2. Only personnel with appropriate training should operate machinery and equipment.

The product specified here may become unsafe if handled incorrectly. The assembly, operation and maintenance of machines or equipment including our products must be performed by an operator who is appropriately trained and experienced.

3. Do not service or attempt to remove product and machinery/equipment until safety is confirmed.

1. The inspection and maintenance of machinery/equipment should only be performed after measures to prevent falling or runaway of the driven objects have been confirmed.
2. When the product is to be removed, confirm that the safety measures as mentioned above are implemented and the power from any appropriate source is cut, and read and understand the specific product precautions of all relevant products carefully.
3. Before machinery/equipment is restarted, take measures to prevent unexpected operation and malfunction.

4. Our products cannot be used beyond their specifications. Our products are not developed, designed, and manufactured to be used under the following conditions or environments. Use under such conditions or environments is not covered.

1. Conditions and environments outside of the given specifications, or use outdoors or in a place exposed to direct sunlight.
2. Use for nuclear power, railways, aviation, space equipment, ships, vehicles, military application, equipment affecting human life, body, and property, fuel equipment, entertainment equipment, emergency shut-off circuits, press clutches, brake circuits, safety equipment, etc., and use for applications that do not conform to standard specifications such as catalogs and operation manuals.
3. Use for interlock circuits, except for use with double interlock such as installing a mechanical protection function in case of failure. Please periodically inspect the product to confirm that the product is operating properly.

Caution

We develop, design, and manufacture our products to be used for automatic control equipment, and provide them for peaceful use in manufacturing industries.

Use in non-manufacturing industries is not covered.

Products we manufacture and sell cannot be used for the purpose of transactions or certification specified in the Measurement Act.

The new Measurement Act prohibits use of any unit other than SI units in Japan.

Limited warranty and Disclaimer/ Compliance Requirements

The product used is subject to the following “Limited warranty and Disclaimer” and “Compliance Requirements”.

Read and accept them before using the product.

Limited warranty and Disclaimer

1. The warranty period of the product is 1 year in service or 1.5 years after the product is delivered, whichever is first.*2)
Also, the product may have specified durability, running distance or replacement parts. Please consult your nearest sales branch.
2. For any failure or damage reported within the warranty period which is clearly our responsibility, a replacement product or necessary parts will be provided.
This limited warranty applies only to our product independently, and not to any other damage incurred due to the failure of the product.
3. Prior to using SMC products, please read and understand the warranty terms and disclaimers noted in the specified catalog for the particular products.

*2) **Vacuum pads are excluded from this 1 year warranty.**

A vacuum pad is a consumable part, so it is warranted for a year after it is delivered.

Also, even within the warranty period, the wear of a product due to the use of the vacuum pad or failure due to the deterioration of rubber material are not covered by the limited warranty.

Compliance Requirements

1. The use of SMC products with production equipment for the manufacture of weapons of mass destruction (WMD) or any other weapon is strictly prohibited.
2. The exports of SMC products or technology from one country to another are governed by the relevant security laws and regulations of the countries involved in the transaction. Prior to the shipment of a SMC product to another country, assure that all local rules governing that export are known and followed.


Revision History

Edition B * The body shape of the large bore size cylinder has been changed.
* The -XB10A has been added to the standard type, double acting, single rod.
* The number of pages has been decreased from 228 to 216. OS

Edition C * The double rod type water-resistant cylinder has been added.
* Dimensions pages for products with a mounting bracket have been collected.
* The compact foot type has been added to mounting brackets.
* The compact cylinder with stable lubrication function (Lube-retainer) has been added.

Edition C * Stainless steel brackets (single knuckle joint, double knuckle joint, and rod end nut) have been added.
* The XB14 (With heat-resistant auto switch) has been added.
* Part numbers for products with a rod end bracket and/or a mounting bolt have been added.
* The number of pages has been decreased from 216 to 196. YQ

Edition D * Bore sizes $\phi 4$, $\phi 6$, and $\phi 10$ have been added.
* The number of pages has been increased from 196 to 204.

 **Safety Instructions** Be sure to read the “Handling Precautions for SMC Products” (M-E03-3) and “Operation Manual” before use.

SMC Corporation

Akihabara UDX 15F,
4-14-1, Sotokanda, Chiyoda-ku, Tokyo 101-0021, JAPAN
Phone: 03-5207-8249 Fax: 03-5298-5362
<https://www.smcworld.com>
© 2024 SMC Corporation All Rights Reserved

Specifications are subject to change without prior notice and any obligation on the part of the manufacturer.

D-G