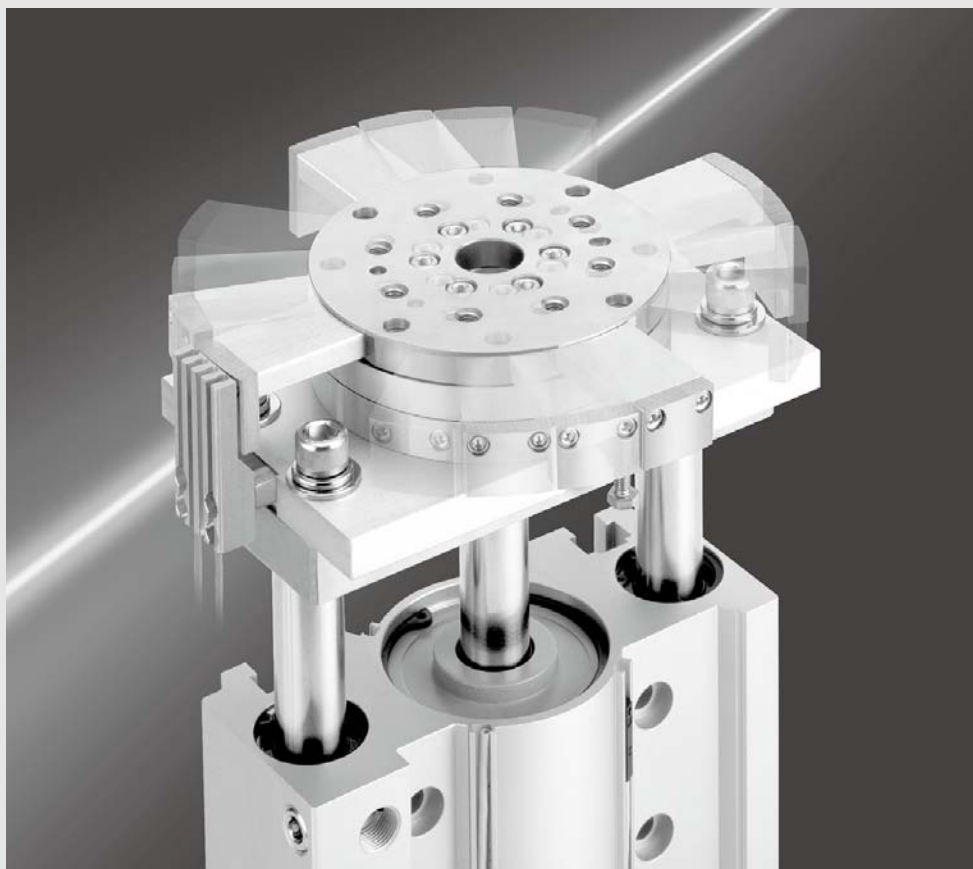
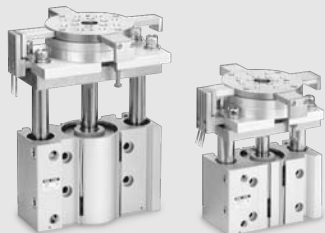


Cylinder with Turntable

Series **MGT**

ø63, ø80, ø100



Flat cylinder with guide (Series MGP) and manual turntable combination

MGJ

MGP
-Z

MGP

MGPW

MGQ

MGG

MGC

MGF

MGZ

MGT

D-

-X

Cylinder with Turntable

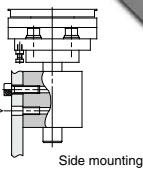
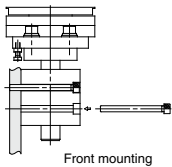
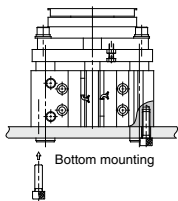
Series MGT

ø63, ø80, ø100

Flat cylinder with guide (Series MGP) and manual turntable combination
 High precision bearings for smooth turning return movement
 Table unit has positioning mechanisms for each 90° and 180° of rotation

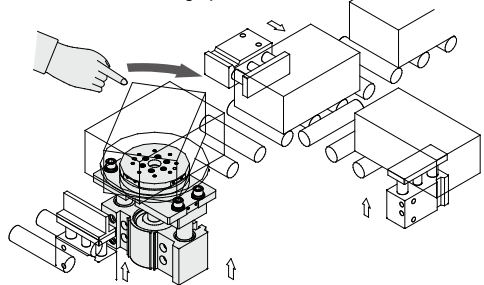
Rotation position is detected by provision of an auto switch sensor

Can be mounted 3 ways



Application Example

Assembly lines, inspection lines etc.
 with turning operations



Series Variations

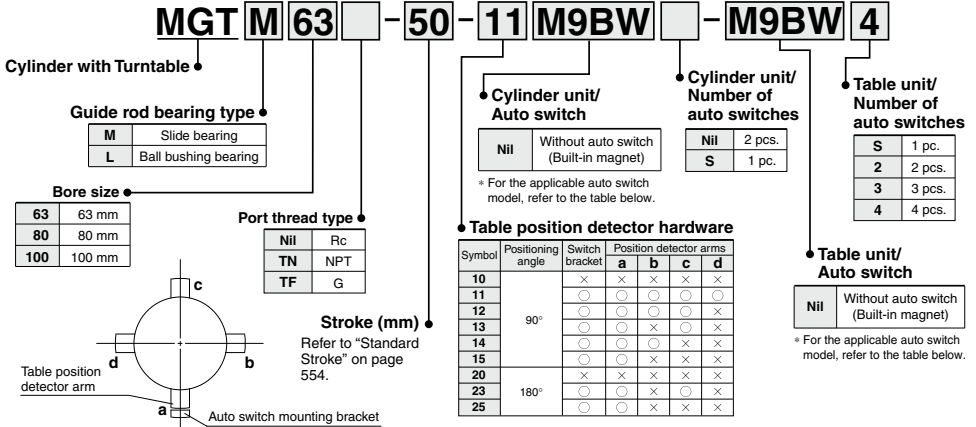
Model	Bearing type	Bore size (mm)	Standard stroke (mm)
MGTM	Slide bearing	63	25, 50, 75, 100, 125, 150, 175, 200
		80	
MGTL	Ball bushing bearing	100	

Cylinder with Turntable

Series MGT

ø63, ø80, ø100

How to Order



Cylinder Unit/Applicable Auto Switches

Refer to pages 1893 to 2007 for detailed specifications of auto switches.

Type	Special function	Electrical entry	Indicator light	Wiring (Output)	Load voltage		Auto switch model		Lead wire length (m)					Pre-wired connector	Applicable load
					DC	AC	Perpendicular	In-line	0.5 (Nil)	1 (M)	3 (L)	5 (Z)			
Solid state auto switch	—	Grommet	Yes	3-wire (NPN)	5 V, 12 V	—	M9NV	M9N	●	●	●	○	○	IC circuit	Relay, PLC
				3-wire (PNP)			M9PV	M9P	●	●	●	○	○		
				2-wire	M9BV	M9B	●	●	●	○	○	—			
				3-wire (NPN)	5 V, 12 V	24 V	—	M9NVW	M9NW	●	●	●	○	○	
	3-wire (PNP)	M9PVW	M9PW	●				●	●	○	○				
	Water resistant (2-color indication)	Grommet	Yes	3-wire (NPN)	5 V, 12 V	—	M9NAV ^{*1}	M9NA ^{*1}	○	○	○	○	○	IC circuit	
				3-wire (PNP)			M9PAV ^{*1}	M9PA ^{*1}	○	○	●	○	○		
				2-wire	12 V	—	M9BWW	M9BW	●	●	●	○	○	—	
2-wire				M9BAV ^{*1}			M9BA ^{*1}	○	○	●	○	○	—		
Reed auto switch	—	Grommet	Yes	3-wire (NPN equiv.)	—	5 V	—	A96V	A96	●	—	—	—	IC circuit	—
				No	2-wire	24 V	12 V	100 V	A93V ^{*2}	A93	●	●	●	●	—
						100 V or less		A90V	A90	●	—	—	—	IC circuit	—

- *1 Water resistant type auto switches can be mounted on the above models, but in such case SMC cannot guarantee water resistance. Consult with SMC regarding water resistant types with the above model numbers.
- *2 1 m type lead wire is only applicable to D-A93.

- * Lead wire length symbols:
0.5 m Nil (Example) M9NV
1 m M (Example) M9NVW
3 m L (Example) M9NVL
5 m Z (Example) M9NVZ
- * Solid state auto switches marked "○" are produced upon receipt of order.
- * Refer to page 559 for applicable auto switches other than listed left.
- * Refer to pages 1960 and 1961 for details of auto switches with a pre-wired connector.
- * Auto switches are shipped together (not assembled).

Table Unit/Applicable Auto Switches

Refer to pages 1893 to 2007 for detailed specifications of auto switches.

Type	Special function	Electrical entry	Indicator light	Wiring (Output)	Load voltage		Auto switch model		Lead wire length (m)					Pre-wired connector	Applicable load
					DC	AC	In-line	0.5 (Nil)	1 (M)	3 (L)	5 (Z)				
Solid state auto switch	—	Grommet	Yes	3-wire (NPN)	12 V	—	M9N	●	●	●	○	○	IC circuit	Relay, PLC	
				3-wire (PNP)			M9P	●	●	●	○	○			
				2-wire	M9B	●	●	●	○	○	—				
				3-wire (NPN)	5 V, 12 V	24 V	—	M9NV	M9N	●	●	●	○		○
	3-wire (PNP)	M9PV	M9P	●				●	●	○	○				
	Water resistant (2-color indication)	Grommet	Yes	2-wire	12 V	—	M9BWW	M9BW	●	●	●	○	○		—
				3-wire (NPN)			5 V, 12 V	24 V	—	M9NAV ^{*1}	M9NA ^{*1}	○	○		
				3-wire (PNP)	M9PAV ^{*1}	M9PA ^{*1}				○	○	●	○		○
2-wire				12 V	—	M9BWW	M9BW	●	●	●	○	○	—		
2-wire	M9BAV ^{*1}	M9BA ^{*1}	○			○	●	○	○	—					
Reed auto switch	—	Grommet	Yes	3-wire (NPN equiv.)	—	5 V	—	A96	A96	●	—	—	—	IC circuit	—
				No	2-wire	24 V	12 V	100 V	A93	A93	●	●	●	●	—
						100 V or less		A90	A90	●	—	—	—	IC circuit	—

- * Lead wire length symbols:
0.5 m Nil (Example) M9NV
1 m M (Example) M9NVW
3 m L (Example) M9NVL
5 m Z (Example) M9NVZ
- * Solid state auto switches marked "○" are produced upon receipt of order.
- * The in-line electrical entry type cannot be mounted.
- * Refer to pages 1960 and 1961 for details of auto switches with a pre-wired connector.
- * Auto switches are shipped together (not assembled).

MGT

MGP-Z

MGP

MGPW

MGQ

MGG

MGC

MGF

MGZ

MGT

D-□

-X□



Specifications

Bore size (mm)	63	80	100
Action	Double acting		
Fluid	Air		
Proof pressure	1.5 MPa		
Maximum operating pressure	1.0 MPa		
Minimum operating pressure	0.1 MPa		
Ambient & fluid temperatures	-10 to 60°C (No freezing)		
Piston speed	50 to 400 mm/s		
Cushion	Rubber bumper on both ends		
Lubrication	Non-lube		
Stroke length tolerance	+1.5 0		
Table rotation system	Manual type		
Table rotation direction	Right, left, free repetitive rotation		
Table angle of rotation	Quarter circle 90°, half circle 180°, with positioning mechanism		

Standard Stroke

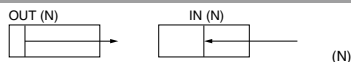
Bore size (mm)	Standard strokes (mm)
63	25, 50, 75, 100, 125,
80	
100	150, 175, 200

Intermediate strokes

Intermediate strokes (in 5 mm increments) other than the standard strokes are made by installing spacers of 5, 10, 15 and 20 mm widths.

(Ex.) 1.MGTM63-35ST is made by installing a 15 mm spacer inside a MGTM63-50ST, however the overall length will be the same as the 50ST.

Theoretical Output



Bore size (mm)	Rod size (mm)	Actuation direction	Piston area (mm ²)	Operating pressure (MPa)									
				0.2	0.3	0.4	0.5	0.6	0.7	0.8	0.9	1.0	
63	20	OUT	3117	623	935	1247	1559	1870	2182	2494	2805	3117	
		IN	2803	561	841	1121	1402	1682	1962	2242	2523	2803	
80	25	OUT	5027	1005	1508	2011	2514	3016	3519	4022	4524	5027	
		IN	4536	907	1361	1814	2268	2722	3175	3629	4082	4536	
100	30	OUT	7854	1571	2356	3142	3927	4712	5498	6283	7069	7854	
		IN	7147	1429	2144	2859	3574	4288	5003	5718	6432	7147	

Note) Theoretical output (N) = Pressure (MPa) x Piston area (mm²)

Additional Bracket Weight

Bore size (mm)	Symbols for table unit position detector bracket (kg)					
	10	11	12	13	14	15
	20	—	—	23	—	25
63	0	0.21	0.16	0.12	0.12	0.08
80	0	0.24	0.19	0.14	0.13	0.08
100	0	0.25	0.19	0.14	0.14	0.09

Weight

MGTM63 to 100 (Slide bearing)

Bore size (mm)	Model	Standard stroke (mm)							
		25	50	75	100	125	150	175	200
		63	MGTM63	6.96 (4.78)	7.81 (5.12)	8.57 (5.38)	9.32 (5.63)	10.08 (5.88)	10.83 (6.14)
80	MGTM80	12.07 (9.29)	13.31 (9.96)	14.25 (10.33)	15.18 (10.71)	16.12 (11.09)	17.06 (11.46)	18.00 (11.83)	19.87 (12.58)
100	MGTM100	17.83 (13.51)	19.56 (14.45)	20.89 (14.99)	22.22 (15.53)	23.55 (16.07)	24.88 (16.60)	26.21 (17.14)	28.87 (18.22)

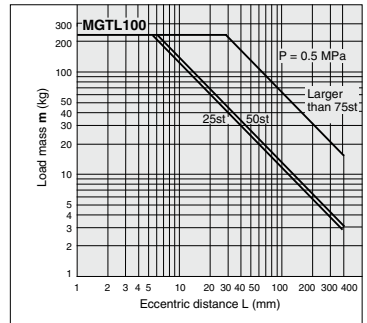
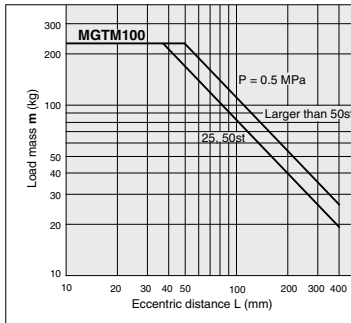
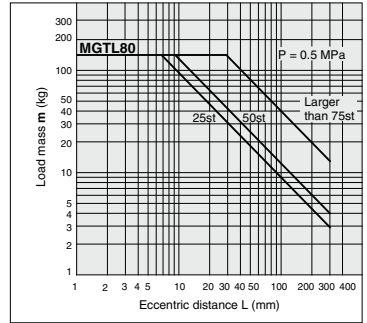
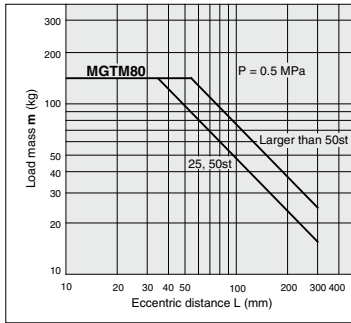
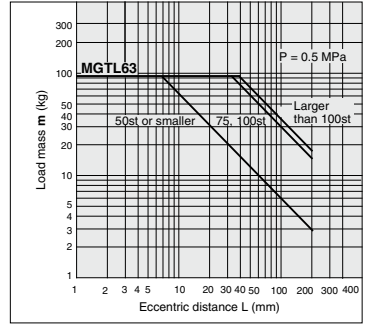
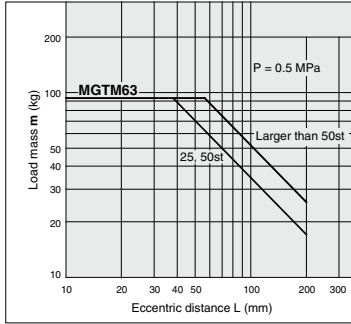
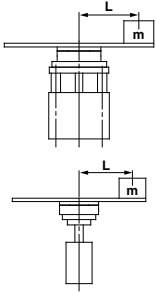
MGTL63 to 100 (Ball bushing bearing)

Bore size (mm)	Model	Standard stroke (mm)							
		25	50	75	100	125	150	175	200
		63	MGTL63	6.62 (4.33)	7.49 (4.61)	8.15 (4.80)	8.91 (5.08)	9.57 (5.27)	10.24 (5.45)
80	MGTL80	12.03 (8.92)	13.33 (9.44)	14.15 (9.73)	14.97 (10.02)	15.79 (10.31)	16.61 (10.60)	17.43 (10.89)	19.07 (11.46)
100	MGTL100	17.53 (12.84)	19.33 (13.62)	20.51 (14.04)	21.69 (14.46)	22.87 (14.87)	24.04 (15.29)	25.22 (15.70)	27.58 (16.54)

Numbers inside () indicate the weight of moving parts.

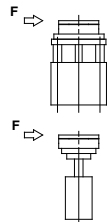
Operating Conditions

Allowable eccentric load mass



- MGJ**
- MGP-Z**
- MGP**
- MGPW**
- MGQ**
- MGG**
- MGC**
- MGF**
- MGZ**
- MGT**

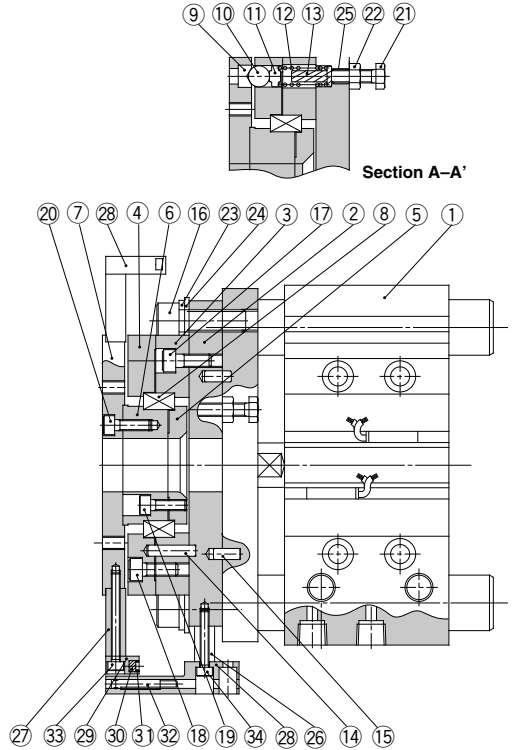
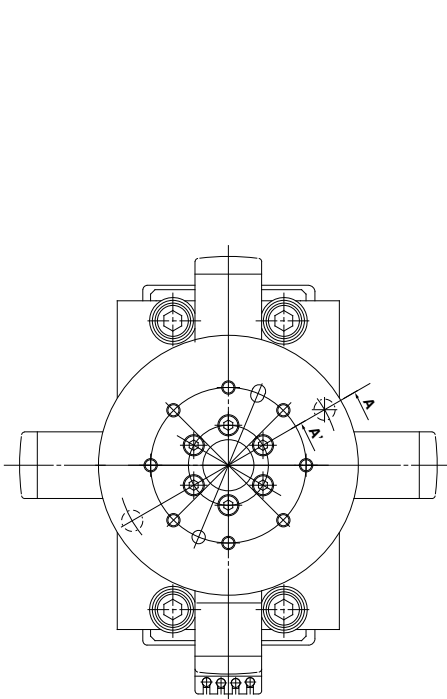
Allowable side load



Bore size (mm)	Model	Stroke (mm)							
		25	50	75	100	125	150	175	200
63	MGTM	204	178	212	193	176	162	151	140
	MGTL	143	127	186	170	243	226	212	199
80	MGTM	250	221	291	267	246	228	213	199
	MGTL	62	154	255	237	220	205	192	180
100	MGTM	356	321	382	353	328	307	288	271
	MGTL	114	153	335	313	292	274	257	242

- D-
- X

Construction



Component Parts

No.	Description	Material	Note
1	Flat cylinder w/turntable MGTM MGTL	—	MGPM63 to 100-□-□ MGPL63 to 100-□-□
2	Guide plate	Aluminum alloy	White anodized
3	Bearing guide A	Aluminum alloy	White anodized
4	Bearing guide B	Aluminum alloy	White anodized
5	Bearing guide C	Aluminum alloy	Chromated
6	Bearing guide D	Aluminum alloy	Chromated
7	Notch table	Carbon steel	Nickel plated
8	Bearing	—	
9	Notch ring	Carbon steel	Hard zinc chromated
10	Steel ball	High carbon chromium bearing steel	
11	Ball cap	Stainless steel	
12	Return spring	Piano wire	Zinc chromated

Component Parts (Position detector bracket)

No.	Description	Material	Note
26	Magnet base A	Aluminum alloy	White anodized
27	Magnet base B	Aluminum alloy	White anodized
28	Switch holder	Aluminum alloy	White anodized
29	Magnet holder	Aluminum alloy	White anodized
30	Magnet	—	
31	Retaining ring	Carbon tool steel	
32	Auto switch	—	
33	Hexagon socket head cap screw	Chrome molybdenum steel	Nickel plated
34	Hexagon socket head cap screw	Chrome molybdenum steel	Nickel plated

Note) Please refer to page 337 for details on components and replaceable parts for flat cylinders with guides (MGPM, MGPL).

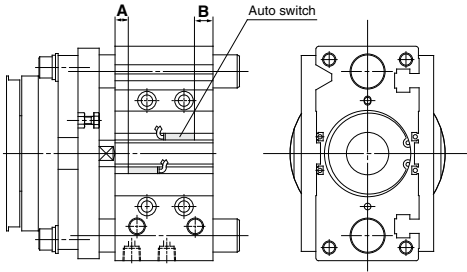
Component Parts

No.	Description	Material	Note
13	Spring guide	Carbon steel	
14	Parallel pin	High carbon chromium bearing steel	
15	Parallel pin	High carbon chromium bearing steel	
16	Hexagon socket head cap screw	Chrome molybdenum steel	Nickel plated
17	Hexagon socket head cap screw	Chrome molybdenum steel	Nickel plated
18	Hexagon socket head cap screw	Chrome molybdenum steel	Nickel plated
19	Hexagon socket head cap screw	Chrome molybdenum steel	Nickel plated
20	Hexagon socket head cap screw	Chrome molybdenum steel	Nickel plated
21	Hexagon bolt	Chrome molybdenum steel	Nickel plated
22	Hexagon nut	Carbon steel	Nickel plated
23	Spring washer	Steel wire	Nickel plated
24	Plain washer	Carbon wire	Nickel plated
25	Helical insert	Stainless steel	

Auto Switch Mounting

Auto Switch Proper Mounting Position (Detection at Stroke End)

Proper auto switch mounting position for cylinder (stroke end)

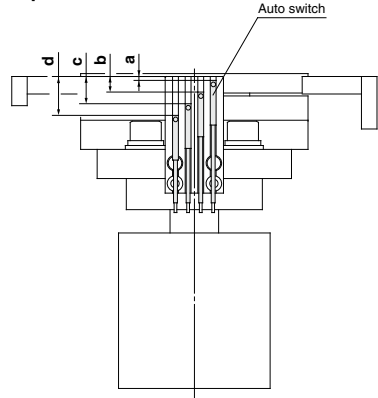


Proper Mounting Position (mm)

Auto switch model	D-M9□		D-A9□		D-Z7□/Z80	
	A	B	A	B	A	B
D-M9□V	15	19	11	15	10	14
D-M9□WV	18	23.5	14	19.5	13	18.5
D-M9□W	22.5	28.5	18.5	24.5	17.5	23.5
D-M9□AV						
D-A9□V						
D-Y59□/Y7P						
D-Y69□/Y7PV						
D-Y7□W						
D-Y7□WV						
D-Y7BA						

Note) Adjust the auto switch after confirming the operating conditions in the actual setting.

Proper auto switch mounting position for table position detection



Proper Mounting Position (mm)

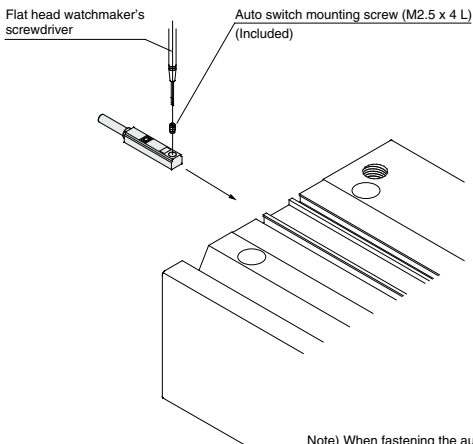
Auto switch model	a	b	c	d
D-A9□	2	8	14	20
D-M9□	6	12	18	24
D-M9□W/D-M9□A	5	11	17	23

* In order that adjacent auto switches do not misoperate, they should be set within ± 1 mm of the proper mounting positions indicated in the table above.

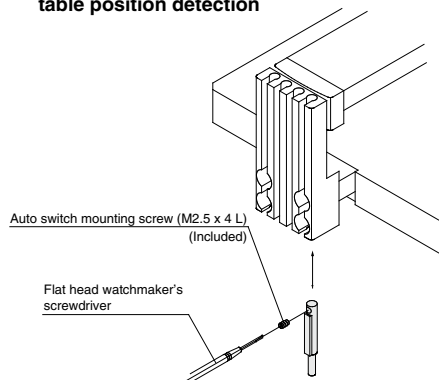
Auto Switch Mounting

When mounting an auto switch, insert it into the cylinder's auto switch groove from the direction shown in the figure below. After setting it in the mounting position, use a flat head watchmaker's screwdriver to secure it with the auto switch mounting screw which is included.

Mounting of auto switches for cylinder



Mounting of auto switch for table position detection



Note) When fastening the auto switch mounting screw, use a watchmaker's screwdriver with a grip diameter of 5 to 6 mm. The fastening torque should be 0.05 to 0.1 N·m. As a rule, it should be turned about 90° past the position at which tightening can be felt.

Minimum Stroke for Mounting

Auto switch model	No. of auto switches	(mm)		
		ø63	ø80	ø100
D-A9□	1 pc.		5	
	2 pcs.		10	
D-A9□V	1 pc.		5	
	2 pcs.		10	
D-M9□	1 pc.		5	
	2 pcs.		10	
D-M9□W	1 pc.		5 Note 1)	
	2 pcs.		10	
D-M9□WV	1 pc.		5 Note 2)	
	2 pcs.		10	
D-M9□A	1 pc.		5 Note 2)	
	2 pcs.		10 Note 2)	
D-Z7□	1 pc.		5	
D-Z80	2 pcs.		10	
D-Y59□	1 pc.		5	
D-Y7P	2 pcs.		10	
D-Y69□	1 pc.		5	
D-Y7PV	2 pcs.		5	
D-Y7□W	1 pc.		5 Note 2)	
D-Y7□WV	2 pcs.		10 Note 2)	
	1 pc.		5 Note 2)	
D-Y7BA	2 pcs.		10 Note 2)	

Note 1) Confirm that it is possible to secure the minimum bending radius of 10 mm of the auto switch lead wire before use.

Note 2) Confirm that it is possible to securely set the auto switch(es) within the range of indicator green light ON range before use.

For in-line entry type, please also consider Note 1) shown above.

Operating Range

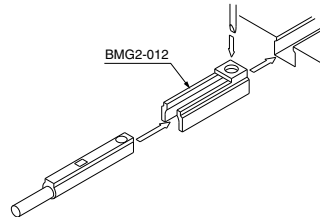
Auto switch model	Bore size (mm)		
	63	80	100
D-A9□/A9□V	11	10.5	10.5
D-M9□/M9□V	7.5	7.5	8.5
D-M9□W/M9□WV			
D-M9□A/M9□AV			
D-Z7□/Z80	11.5	11.5	12
D-Y59□/Y69□	8	9.5	10
D-Y7P/Y7PV			
D-Y7□W/Y7□WV			
D-Y7BA			

* Hysteresis specifications are given as a guide, it is not a guaranteed range. (Tolerance ±30%)
Hysteresis may fluctuate due to the operating environment.

Auto Switch Mounting Bracket/Part No.

Auto switch model	Bore size (mm)
	ø63 to ø100
D-A9□/A9□V D-M9□/M9□W D-M9□W/M9□WV D-M9□A/M9□AV	BMG2-012

D-A9□(V), M9□(V), M9□W(V), M9□A(V)



Besides the models listed in How to Order, the following auto switches can be mounted on cylinder units. Refer to pages 1893 to 2007 for the detailed specifications.

Auto switch type	Model	Electrical entry (Fetching direction)	Features
Reed	D-Z73, Z76	Grommet (In-line)	—
	D-Z80		Without indicator light
Solid state	D-Y69A, Y69B, Y7PV	Grommet (Perpendicular)	—
	D-Y7NWV, Y7PWV, Y7BWW		Diagnostic indication (2-color indication)
	D-Y59A, Y59B, Y7P	Grommet (In-line)	—
	D-Y7NW, Y7PW, Y7BW		Diagnostic indication (2-color indication)
	D-Y7BA		Water resistant (2-color indication)

* For solid state auto switches, auto switches with a pre-wired connector are also available. Refer to pages 1960 and 1961 for details.

* Normally closed (NC = b contact) solid state auto switches (D-F9G/F9H/Y7G/Y7H types) are also available. Refer to pages 1911 and 1913 for details.

MGJ

MGP
-Z

MGP

MGPW

MGQ

MGG

MGC

MGF

MGZ

MGT

D-□

-X□



Series MGT

Specific Product Precautions

Be sure to read before handling.

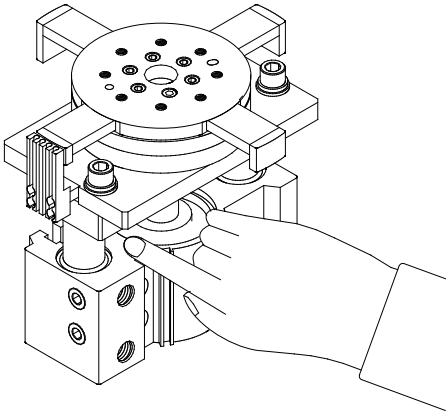
Refer to front matter 39 for Safety Instructions and pages 3 to 12 for Actuator and Auto Switch Precautions.

Mounting

Warning

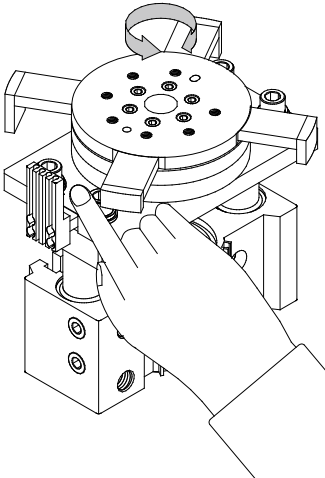
1. Do not put hands or fingers between the plate and body.

Care should be taken that hands or fingers do not get caught in the space between the cylinder body and the plate when air pressure is applied.



2. When rotating the turntable, take care that hands or fingers are not caught by the position detector auto switch bracket.

Because there is a danger of hands or fingers getting caught between the switch bracket and one of the magnet arms, please use caution when the turntable is being rotated.



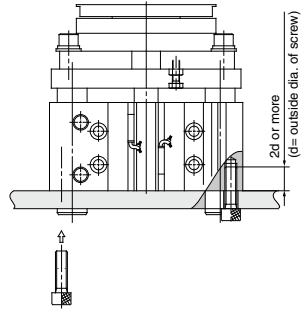
Mounting

Caution

1. Do not scratch or dent the sliding parts of the piston rod and guide rods.

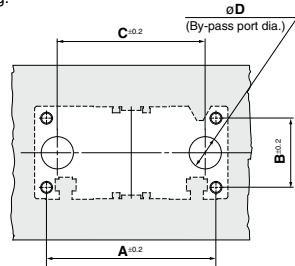
Damage to seals may cause air leaks or faulty operation.

2. In cases where the cylinder will be bottom mounted and shock will be delivered during use, the mounting bolts should be inserted to a depth of 2d or more.



3. If the cylinder is to be bottom mounted, bypass ports should be provided for the guide rods.

Since the guide rods protrude from the bottom of the cylinder at the end of the retracting stroke, in cases where the cylinder is to be bottom mounted it is necessary to provide by-pass ports for the guide rods in the mounting surface, as well as holes for the hexagon socket head screws which are used for mounting.



Bore size (mm)	A (mm)	B (mm)	C (mm)	D (mm)		Hexagon socket head mounting screws
				MGTM	MGTL	
63	142	58	124	27	22	M10 x 1.5
80	180	54	156	33	28	M12 x 1.75
100	210	62	188	39	33	M14 x 2.0