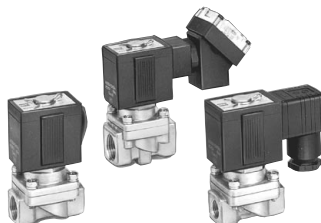


# Diaphragm Type Pilot Operated 2 Port Solenoid Valve for High Pressure Series VXH



- Orifice diameter  $\varnothing 10$
- Max. operating pressure: 2.0 MPa



## Valve Specifications

Port size	Orifice dia. (mm)	Min. operating pressure differential (MPa)	Max. operating pressure differential (MPa)			Flow characteristics					Max. system pressure (MPa)	Note) Weight (g)
			Water	Air	Oil	Water, Oil, Steam		Air				
						$Av \times 10^{-6} \text{ m}^2$	Cv converted	C[dm <sup>3</sup> /(s-bar)]	b	Cv		
1/4	10	0.05	2.0	2.0	1.5	46	1.9	8.5	0.35	2.0	2.0	550
3/8						58	2.4	9.5	0.30	2.3		
1/2						58	2.4	9.5	0.30	2.3		

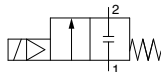
Note) Weight of grommet type. Add 10 g for conduit type, 30 g for DIN terminal, 60 g for conduit terminal type respectively.  
 • Refer to "Glossary of Terms" on page 241 for details of max. operating pressure differential and max. system pressure.

## Solenoid Specifications

Power source	Frequency (Hz)	Apparent power (VA)		Power consumption (W) (Holding)	Temperature rise (°C) (Rated voltage)
		Inrush	Holding		
AC	50	53	18	7.5	60
	60	44	12	6	50

## How to Order

Symbol



VXH2230 - 02 - 1 G [ ] - [ ] - [ ]

- 2 port valve for high pressure**
- Valve/Body**  
0 Normally Closed/Single unit
- Port size**  
02 Rc 1/4  
03 Rc 3/8  
04 Rc 1/2
- Rated voltage**  
1 100 VAC 50/60 Hz  
2 200 VAC 50/60 Hz  
3 110 VAC 50/60 Hz  
4 220 VAC 50/60 Hz  
7 240 VAC 50/60 Hz  
8 48 VAC 50/60 Hz  
9 Other (Only AC)
- Electrical entry**  
G Grommet  
C Conduit  
D DIN terminal  
T Conduit terminal  
\* Refer to the table (1) given below for availability.
- CE-compliant**  
Nil —  
Q CE-compliant  
\* For DIN terminal only
- Bracket**  
Nil None  
B With bracket
- Electrical option**  
Nil None  
S With surge voltage suppressor  
L With indicator light  
Z With light/surge voltage suppressor  
\* Refer to the table (1) given below for availability.

## Caution

Be sure to read before handling. Refer to front matter 41 for Safety Instructions, and pages 17 to 19 for precautions for 2 Port Solenoid Valve for Fluid Control.

Table (1)  
Rated Voltage-  
Electrical Entry-Electrical Option

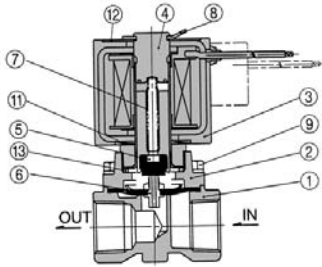
Insulation type	Class B				
	Electrical entry	G	C	S, L, Z	D, T
Electrical option	S <sup>Note)</sup>	—	—	—	—
AC	1 (100 V)	●	●	●	●
	2 (200 V)	●	●	●	●
	3 (110 V)	●	●	●	●
	4 (220 V)	●	●	●	●
	7 (240 V)	●	●	●	—
	8 (48 V)	●	●	●	—

Note) Surge voltage suppressor is attached in the middle of lead wire.

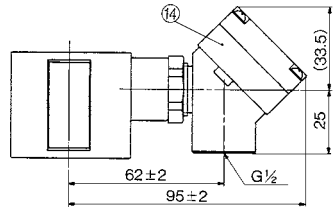
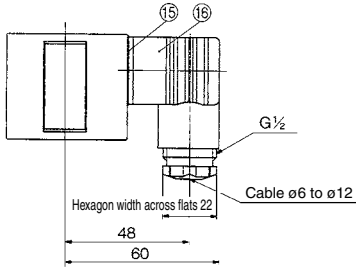
- VX2
- VXK
- VXD
- VXZ
- VXS
- VXE
- VXP
- VXR
- VXH
- VXF2
- VX3
- VXA

# Series VXH

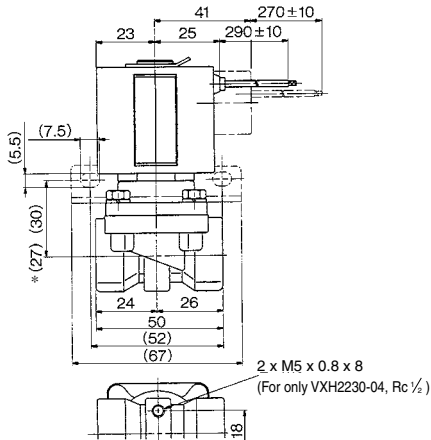
## Construction/Dimensions



No.	Description	Material	Note
1	Body	C3771	
2	Bonnet	C3771	
3	Coil assembly	Epoxy mold	Class B insulation
4	Core assembly	Stainless steel, Cu	
5	Armature assembly	Stainless steel, NBR	
6	Diaphragm assembly	Stainless steel, NBR	
7	Return spring	Stainless steel	
8	Retainer	Stainless steel	
9	Upset bolt	Stainless steel	
10	Bracket	SPC	Option
11	Wave washer	Stainless steel	
12	Name plate	AL	
13	O-ring	NBR	
14	Terminal assembly	—	
15	Seal	CR	
16	DIN terminal	—	



**DIN terminal**



**Conduit terminal**

