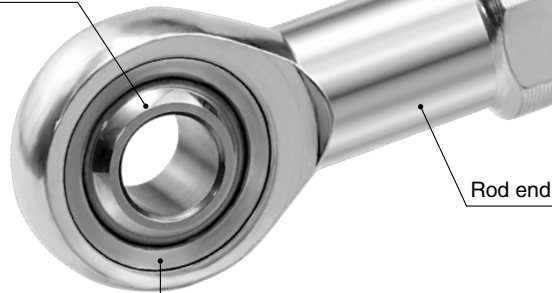


Rod End (Piston Rod End Bracket)

Thread size: M4 to M42

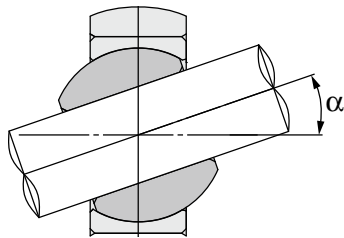
- Smooth rotation that can adjust the centering automatically.

Spherical slide bearing



Actuating cylinder

- Allowable inclination angle: 19°
(KJ36D, Pin shape: Round bar)



- Can be used as an auxiliary bracket for the oscillating mechanism.

- Reduces the design and assembly labor of the oscillating mechanism.

- Can be used in various applications, not limited to connecting to a cylinder.

■ Applicable cylinders

CJ2 series: $\varnothing 10$, $\varnothing 16$
 CM2 series: $\varnothing 20$ to $\varnothing 40$
 CG1 series: $\varnothing 20$ to $\varnothing 100$
 CA2 series: $\varnothing 40$ to $\varnothing 100$
 MB series: $\varnothing 32$ to $\varnothing 125$
 MB1 series: $\varnothing 32$ to $\varnothing 125$
 CQ2 series: $\varnothing 12$ to $\varnothing 100$
 C85 series: $\varnothing 8$ to $\varnothing 25$
 C75 series: $\varnothing 32$, $\varnothing 25$
 C76 series: $\varnothing 32$, $\varnothing 40$
 C95 series: $\varnothing 160$ to $\varnothing 250$
 C96 series: $\varnothing 32$ to $\varnothing 125$
 CP96 series: $\varnothing 32$ to $\varnothing 125$



KJ□D Series

SMC

KJ□D Series



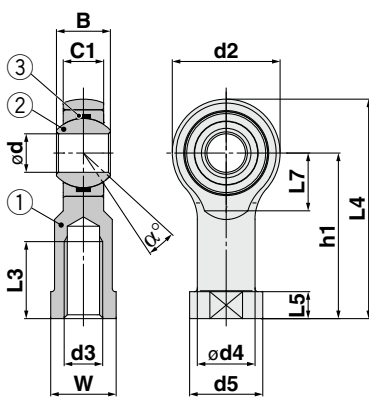
Applicable Cylinders/Bracket Part Nos.

Applicable bore size [mm]	Thread size [mm]	Applicable cylinder						Applicable bore size [mm]	Thread size [mm]	Applicable cylinder						
		CJ2	CM2, CG1	CA2, MB, MB1	CQ2	C85, C75, C76	C95, C96, CP96			CJ2	CM2, CG1	CA2, MB, MB1	CQ2	C85, C75, C76	C95, C96, CP96	
8	M4 x 0.7	—	—	—	—	KJ4D*1	—	50	M16 x 1.5	—	—	—	—	—	—	KJ16D*1
10	M4 x 0.7	KJ4DA	—	—	—	—	—	50	M18 x 1.5	—	KJ18D	KJ18D	KJ18D	—	—	—
10	M4 x 0.7	—	—	—	—	KJ4D*1	—	63	M16 x 1.5	—	—	—	—	—	—	KJ16D*1
12	M5 x 0.8	—	—	—	KJ5D	—	—	63	M18 x 1.5	—	KJ18D	KJ18D	KJ18D	—	—	—
12	M6 x 1.0	—	—	—	—	KJ6D*1	—	80	M20 x 1.5	—	—	—	—	—	—	KJ20D*1
16	M5 x 0.8	KJ5D	—	—	—	—	—	80	M22 x 1.5	—	KJ22D	KJ22D	KJ22D	—	—	—
16	M6 x 1.0	—	—	—	KJ6D	KJ6D*1	—	100	M20 x 1.5	—	—	—	—	—	—	KJ20D*1
20	M8 x 1.25	—	KJ8D	—	KJ8D	KJ8D	—	100	M26 x 1.5	—	KJ26D	KJ26D	KJ26D	—	—	—
25	M10 x 1.25	—	KJ10D	—	KJ10D	KJ10D	—	125	M27 x 2.0	—	—	KJ27D*1	—	—	—	KJ27D*1
32	M10 x 1.25	—	KJ10D	KJ10D	—	—	KJ10D	160	M36 x 2.0	—	—	—	—	—	—	KJ36D*1
32	M10 x 1.5	—	—	—	—	KJ10DA	—	200	M36 x 2.0	—	—	—	—	—	—	KJ36D*1
32	M14 x 1.5	—	—	—	KJ14D	—	—	250	M42 x 2.0	—	—	—	—	—	—	KJ42D*1
40	M12 x 1.25	—	—	—	—	—	KJ12D*1	—	—	—	—	—	—	—	—	—
40	M12 x 1.75	—	—	—	—	KJ12DA	—	—	—	—	—	—	—	—	—	—
40	M14 x 1.5	—	KJ14D	KJ14D	KJ14D	—	—	—	—	—	—	—	—	—	—	—

*1 These brackets are supported on a per request basis.

* There are other applicable cylinders other than those listed above. Please contact SMC for details.

Dimensions



Model	d _{H7}	d ₃	B ^{+0.012}	C1	d ₂	d ₄	d ₅	h ₁	L _{3min}	L ₄	L ₅	L ₇	W	α°	[mm]	
															Allowable radial static load [kN]	Weight [kg]
KJ4DA	4	M4 x 0.7	7	5.25	14	7.8	9.5	24	10	31	4	8	8	13	2.5	0.01
KJ4D	5	M4 x 0.7	8	6	18	9	11	27	10	36	4	10	9	13	6	0.02
KJ5D	5	M5 x 0.8	8	6	18	9	11	27	10	36	4	10	9	13	6	0.02
KJ6D	6	M6 x 1.0	9	6.75	20	10	13	30	12	40	5	11	11	13	7	0.03
KJ8D	8	M8 x 1.25	12	9	24	12.5	16	36	16	48	5	13	14	14	12	0.05
KJ10D	10	M10 x 1.25	14	10.5	28	15	19	43	20	57	6.5	15	17	13	14	0.07
KJ10DA	10	M10 x 1.5	14	10.5	28	15	19	43	20	57	6.5	15	17	13	14	0.07
KJ12D	12	M12 x 1.25	16	12	32	17.5	22	50	22	66	6.5	17	19	13	19	0.11
KJ12DA	12	M12 x 1.75	16	12	32	17.5	22	50	22	66	6.5	17	19	13	19	0.11
KJ14D	14	M14 x 1.5	19	13.5	36	20	25	57	25	75	8	19	22	15	36	0.16
KJ16D	16	M16 x 1.5	21	15	42	22	27	64	28	85	8	23	22	15	48	0.23
KJ18D	18	M18 x 1.5	23	16.5	46	25	31	71	32	94	10	25	27	15	51	0.30
KJ20D	20	M20 x 1.5	25	18	50	27.5	34	77	33	102	10	27	30	14	52	0.40
KJ22D	22	M22 x 1.5	28	20	54	30	37	84	37	111	12	29	32	15	75	0.49
KJ26D	25	M26 x 1.5	31	22	60	33.5	42	94	48	124	12	32	36	15	85	0.67
KJ27D	30	M27 x 2.0	37	25	70	40	50	110	51	145	15	36	41	17	108	1.12
KJ36D	35	M36 x 2.0	43	28	80	46	58	125	56	165	17	41	50	19	124	1.64
KJ42D	40	M42 x 2.0	49	33	91	53	65	142	60	187	19	45	55	16	145	2.40

* The allowable radial load shows the allowable value of a single rod end. When the rod end is used for connecting to a cylinder, the allowable radial load conforms to the cylinder specifications.

Parts Materials

No.	Description	Material	Treatment
①	Body	Carbon steel	Zinc plating
②	Bearing	Bearing steel	Hard chrome plating
③	Liner	Fluororesin	—

Handling Precautions

- This product cannot be disassembled.
- The product is a non-lubricated type using a fluororesin liner. Therefore, no lubrication is needed.
- The bearing rotates in any desired direction. However, do not operate the product so that the allowable inclination angle (α°) is exceeded.
- The operating temperature range is -20°C to 70°C.
- Be sure to prevent entry of foreign objects, such as dust or cutting chips. If foreign objects enter between the body and bearing, this may cause the functionality to lower or damage to the product.
- Do not operate the product so that the thrust load is applied to it.

⚠ Safety Instructions Be sure to read the "Handling Precautions for SMC Products" (M-E03-3) and "Operation Manual" before use.