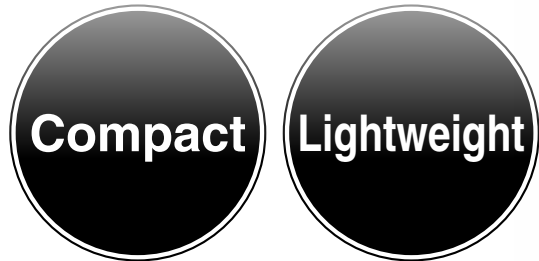


# Air Cylinder CJ2 Compact Type

RoHS

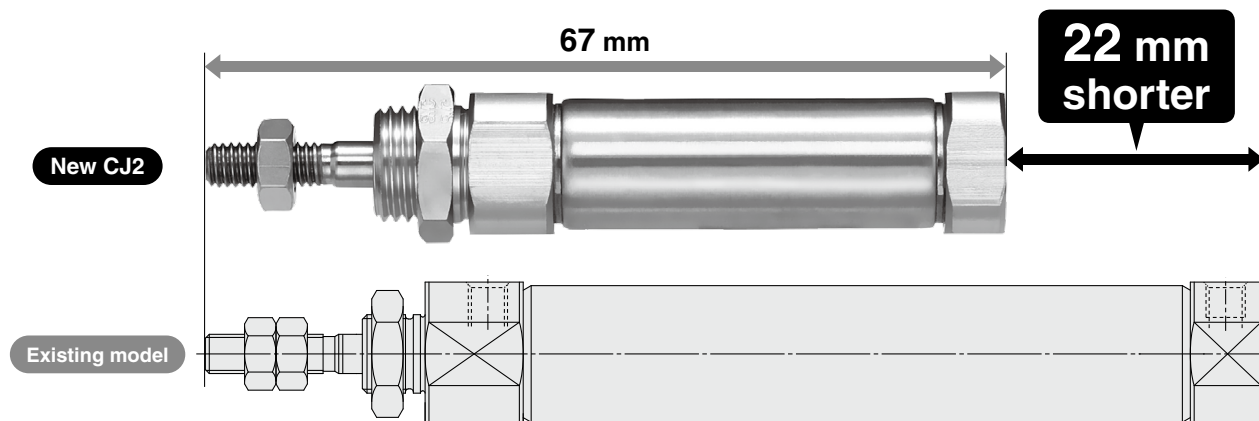
ø10, ø16



**Overall length**  
Max. **25%** reduction

Overall length comparison (15 mm stroke, Without auto switch magnet) [mm]

Bore size	New CJ2	Existing model CJ2	Reduction	Reduction rate [%]
10	67	89	22	25
16	69.5	90	20.5	23



**Weight**  
Max. **27%** reduction

Weight comparison (15 mm stroke, Without auto switch magnet) [g]

Bore size	New CJ2	Existing model CJ2	Reduction	Reduction rate [%]
10	19	26	7	27
16	41	54	13	24

## ■ New rail type auto switch mounting bracket

Applicable to the D-M9□ (Direct mounting possible)

\* An auto switch with a reduced overall length is available upon request.  
(Produced upon receipt of order)  
Please contact your local sales representative for more details.



■ The specifications are the same as those of the existing CJ2 series.

# CJ2-X3175



19-E721

# CJ2-X3175

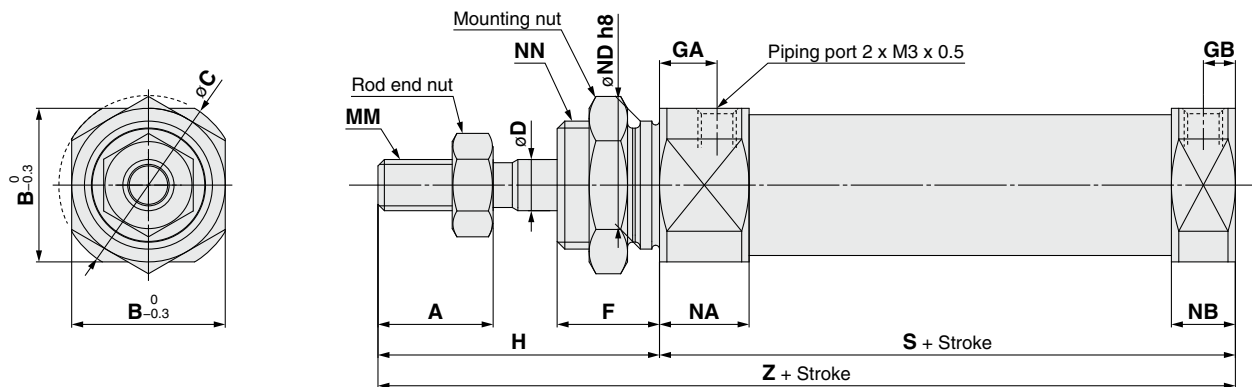
## Specifications

Bore size [mm]	10	16
Action	Double acting, Single rod	
Fluid	Air	
Proof pressure	1 MPa	
Max. operating pressure	0.7 MPa	
Min. operating pressure	0.06 MPa	
Ambient and fluid temperatures	Without auto switch: -10°C to 70°C With auto switch : -10°C to 60°C (No freezing)	
Cushion	Rubber bumper	
Lubrication	Not required (Non-lube)	
Piston speed	50 to 750 mm/s	
Allowable kinetic energy	0.035 J	0.090 J
Stroke length tolerance	+1.0 0	

## Standard Strokes

Bore size	Standard stroke [mm]
10, 16	15, 30, 45, 60, 75, 100

## Dimensions



Bore size	A	B	C	D	F	GA	GB	H	MM	NA	NB	ND h8	NN	Without auto switch		With auto switch	
														S	Z	S	Z
10	9	12	14	4	8	4.5	2.5	22	M4 x 0.7	7	5	10 <sup>-0.022</sup>	M10 x 1.0	30	52	34	56
16	11	18.3	20	5	8	4.5	2.5	24	M5 x 0.8	7	5	12 <sup>-0.027</sup>	M12 x 1.0	30.5	54.5	35.5	59.5

\* The rod end nut and mounting nut come with the product.  
If they are required separately, order according to the details below.  
Rod end nut:  $\phi$ 10: **NTJ-010C**,  $\phi$ 16: **NTJ-015C**  
Mounting nut:  $\phi$ 10: **SNPS-006**,  $\phi$ 16: **SNKJ-016C**

## ⚠ Specific Product Precautions

### ⚠ Caution

#### 1. Do not apply external force to the auto switch mounting rail.

Doing so may cause the rail to become deformed, resulting in auto switch malfunction. In addition, repeatedly bending or stretching the lead wires may also result in malfunction.

⚠ **Safety Instructions** Be sure to read the "Handling Precautions for SMC Products" (M-E03-3) and "Operation Manual" before use.

## SMC Corporation

Akihabara UDX 15F,  
4-14-1, Sotokanda, Chiyoda-ku, Tokyo 101-0021, JAPAN  
Phone: 03-5207-8249 Fax: 03-5298-5362  
<https://www.smcworld.com>  
© 2019 SMC Corporation All Rights Reserved