

Safety Standard ISO 13849-1 Applicable (Corresponding to Categories 3 and 4)

New



Safe Exhaust Valve Modular Connection Type

* The type without a pressure gauge and with digital pressure switch specification are UL certified. Refer to page 7 for details.

Exhaust flow rate characteristics [L/min(ANR)]

10,500 (VPX406-A3)

13,000 (VPX406-A4)

15,000 (VPX406-A6)

* At 0.6 MPa

Space saving & Lightweight

3 functions have been integrated.

Dual residual pressure
release valve



Soft start-up
valve



Main valve
inconsistency detection

Modular connection
is possible.

(AC30/40/50/60-D Series)



VPX400 Series



CAT.ES11-121A

Safe Exhaust Valve/Modular Connection Type **VPX400 Series**

3 functions Dual residual pressure release valve + Soft start-up valve + Main valve inconsistency detection **have been integrated into one.**

VPX406-A4

Compact
Volume **60%** reduction

Lightweight
Weight **9%** reduction

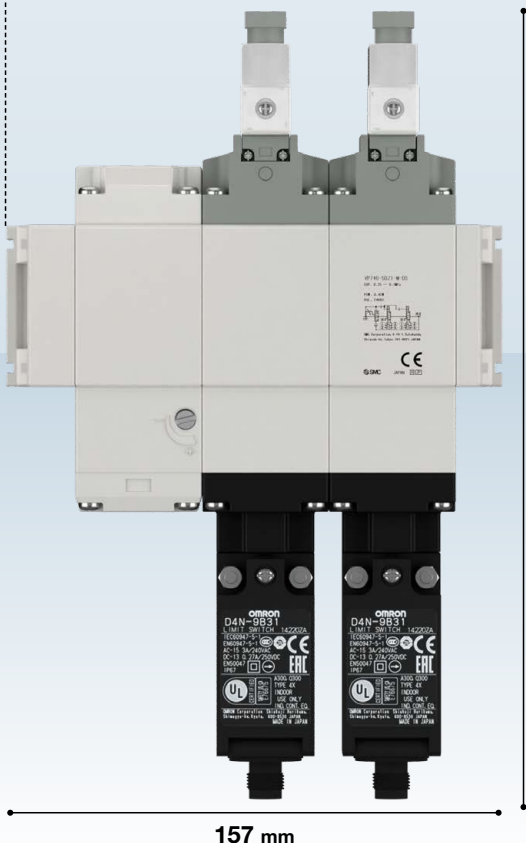
* Compared with the VP746

Depth 91 mm (VPX406-A4)
109 mm (VP746)

85 mm (54%) shorter



VP746



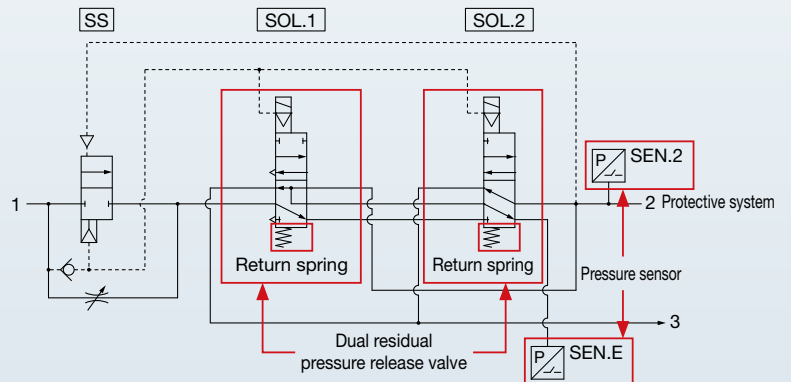
Series variations

High flow rate: Approx. 3.0 times (AC30 connection) / Approx. 2.5 times (AC40 connection)

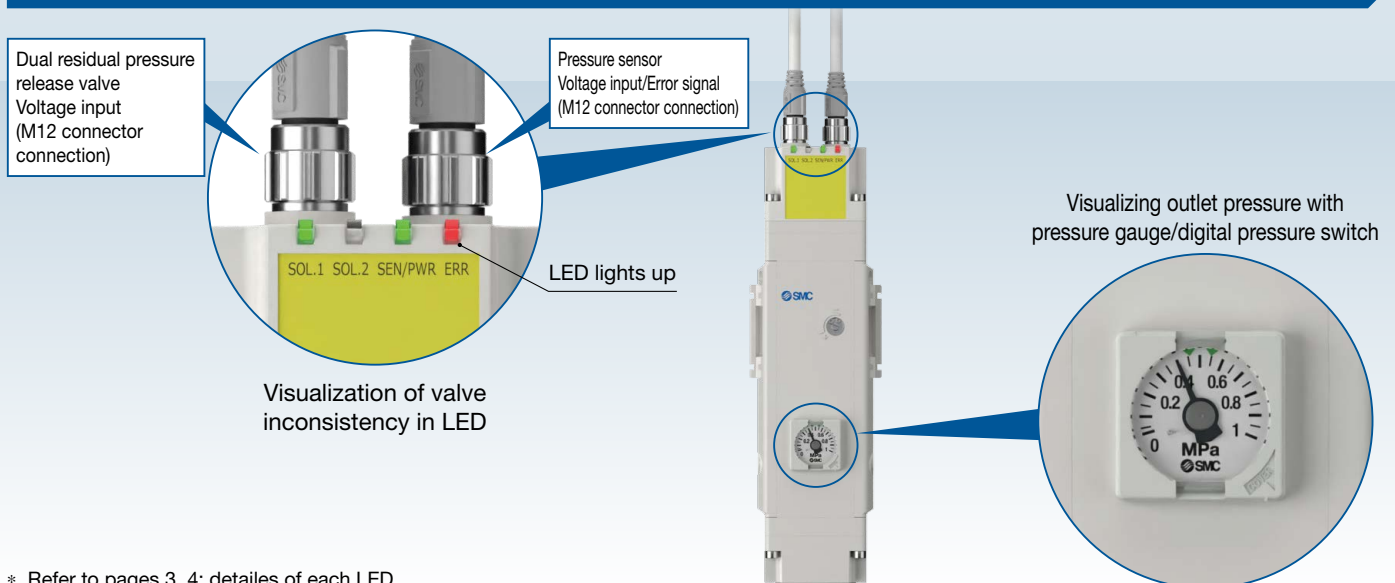
| Series | Category | Compatible Max. PL | Connected AC size | Flow rate characteristics | | | | | | | Passage |
|---------------------------------------|----------|--------------------|-------------------|-----------------------------|----|----|----|----|----|----|------------------|
| | | | | C[dm ³ /(s·bar)] | | | | | | | |
| | | | | 5 | 10 | 15 | 20 | 25 | 30 | 35 | |
| Safe exhaust valve | 3, 4 | PL e | AC30 | 25.0 | | | | | | | 2 ⇒ 3 (A ⇒ R) |
| | | | AC40 | 31.0 | | | | | | | |
| | | | AC50/60 | 35.8 | | | | | | | |
| Residual pressure release valve VP546 | 3, 4 | PL e | AC30 | 8.3 | | | | | | | 2 ⇒ 3 (A ⇒ R) |
| Residual pressure release valve VP746 | | | AC40 | 12.3 | | | | | | | |

Deliver protective system by “Safety Exhaust”

- Ensure exhaust (spring return) when power failure generation
- If one of the residual pressure release valves fails to operate, the other one releases the residual pressure.
- Built-in pressure sensor is used to detect inconsistencies of valve operations.



Visualization in emergencies: Fault can be checked visually as well as by signal.



* Refer to pages 3, 4: details of each LED

SOL.1/SOL.2/SEN.E/SEN.2 input/output signal diagram

This valve is dual residual pressure release exhaust valve, and main valve position can be monitored by built-in pressure sensor to monitor to confirm the status of main valve inconsistency or normal operation. The table below shows the energizing status of the respective valve, sensor waveform, and 2 port pressure waveform.

SOL.1 (Valve 1) : 1st exhaust valve

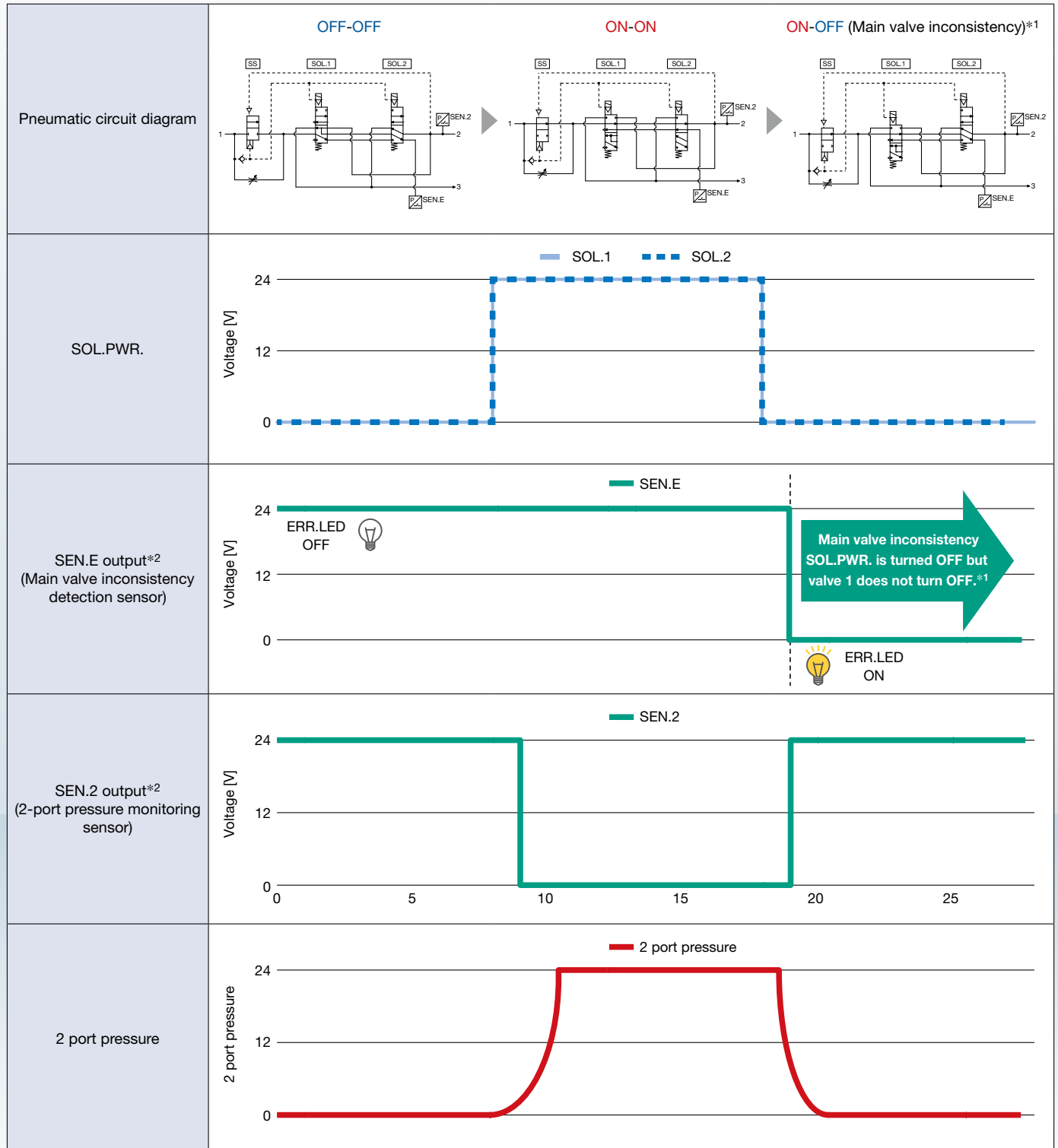
SOL.2 (Valve 2) : 2nd exhaust valve

Sensor E (SEN.E): Sensor to monitor the inconsistency status between two valves (SOL.1/SOL.2)

Sensor 2 (SEN.2): Sensor to monitor pressure in output port (2 port) of valve

Sensor Output Chart

| Actuation | Valve energization | | Pressure sensor output | | | |
|--------------------------|--------------------|-------|------------------------|---------|-------|-----------------|
| | SOL.1 | SOL.2 | SEN.E | ERR.LED | SEN.2 | 2 port pressure |
| Normal operation | OFF | OFF | ON | OFF | ON | OFF |
| | ON | ON | ON | OFF | OFF | ON |
| Main valve inconsistency | ON | OFF | OFF | ON | ON | OFF |
| | OFF | ON | OFF | ON | ON | OFF |

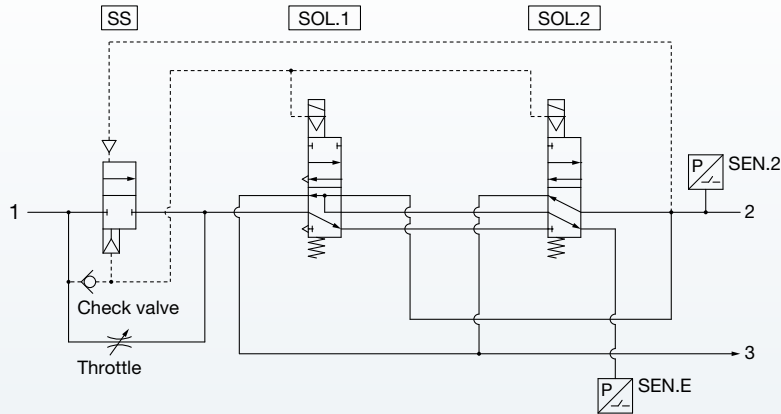


*1 This assumes that SOL.1 (valve 1) does not OFF.

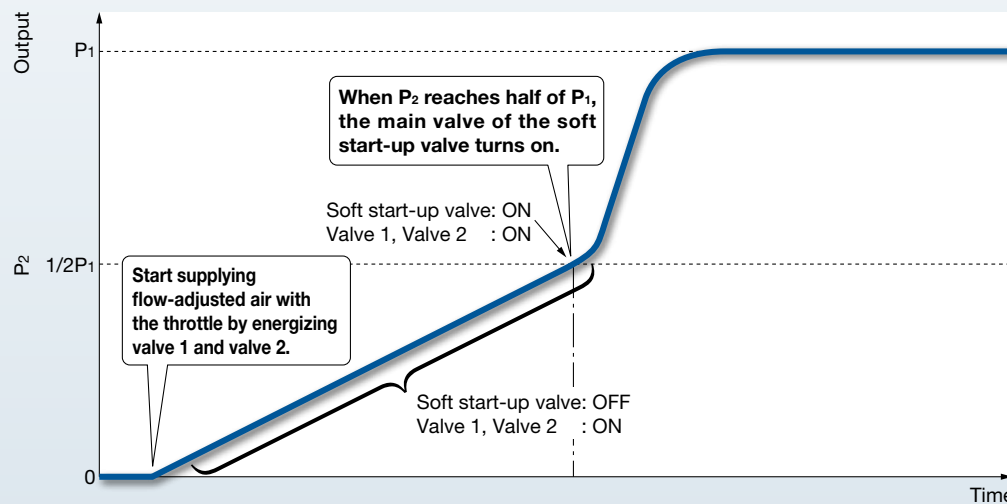
*2 In SEN.E and 2, relation of pressure and output are inverted. When pressure is detected in SEN.E or 2, output of OUT stops.

With soft start-up function & pilot flow path check valve

A function to gradually increase the initial pressure of the pneumatic system has been added.



Output Pressure (P_2) vs Time Graph



Built-in check valve to the pilot flow path prevents the pilot pressure drop (to prevent false operation) by the inlet pressure fluctuation.

Standards and Enclosure

| Series | Category | Required performance level (Max.) | Standards | | | | | | Soft start-up valve | Enclosure |
|-------------------------------------|----------|-----------------------------------|----------------------|----------------------|----------------------|---------|--------|------|---------------------|-----------|
| | | | Machinery directive | 2006/42/EC | | CE/UKCA | UL/cUL | RoHS | | |
| | | | Harmonized standards | EN ISO 13849-1: 2015 | EN ISO 13849-2: 2012 | | | | | |
| Safe exhaust valve VPX406 | 3, 4 | PL e | | | | | | | | IP65*1 |

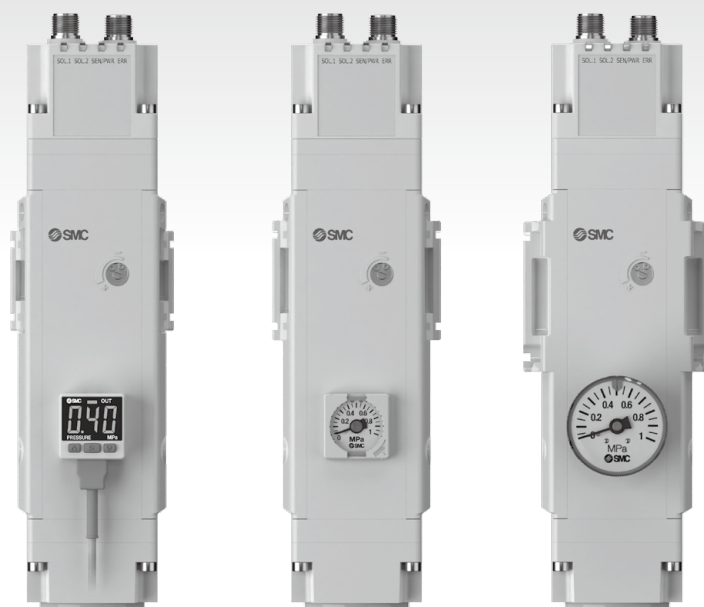
*1 It is IP40 depending on the type of pressure gauge. For details, refer to the valve specifications.

Regarding to safety standard ISO 13849-1, refer to this leaflet.



CONTENTS

Safe Exhaust Valve/Modular Connection Type **VPX400 Series**



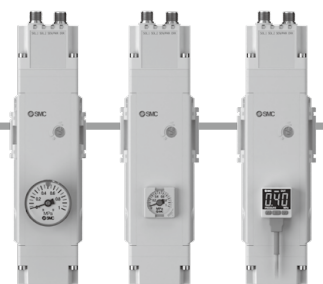
| | |
|--|-------|
| How to Order..... | p. 7 |
| Assembly Example..... | p. 8 |
| Valve Specifications..... | p. 9 |
| Flow Rate Characteristics..... | p. 9 |
| Symbols..... | p. 9 |
| Dimensions..... | p. 10 |
| Valve Wiring Diagrams, Optional Accessories..... | p. 14 |

Safe Exhaust Valve/ Modular Connection Type VPX400 Series

How to Order

VPX406 **K** **T** - **5** **KO** **NZ** - **D** **A4**

① ② ③ ④ ⑤ ⑥ ⑦ ⑧ ⑨ ⑩



① Pressure specifications

| | |
|----------|---------------------------------|
| K | High pressure (0.25 to 1.0 MPa) |
|----------|---------------------------------|

② Coil specifications

| | |
|----------|---------------------------|
| T | With power-saving circuit |
|----------|---------------------------|

③ Rated voltage

| | |
|----------|--------|
| 5 | 24 VDC |
|----------|--------|

④ Electrical entry

| | |
|-----------|---|
| KO | M12 connector, Without connector cable |
| K | With M12 connector, Cable length: 3000 mm |

* When option "K" (With M12 connector cable) is selected, 2 cables are included.

⑤ Light/surge voltage suppressor and common specification

| | |
|-----------|--|
| NZ | With light/surge voltage suppressor Negative common |
|-----------|--|

⑥ Pressure sensor wiring specifications

| | |
|-----------|--------------------------------|
| D | Double common |
| N1 | Negative common, Wiring type 1 |
| N2 | Negative common, Wiring type 2 |

* They are not wiring specifications of pressure gauge type and digital pressure switch. Refer to pages 8 and 9.

⑦ Pressure gauge type

| | | | UL-compliant |
|---------------|--|--|--------------|
| Nil *1 | Pressure gauge | Without pressure gauge | ○ |
| G *2 | | Round type pressure gauge (with limit indicator) | — |
| M *2 | | Round type pressure gauge (with color zone) | — |
| E | Digital pressure switch | Square embedded type pressure gauge (with limit indicator) | — |
| E1 | | Output: NPN output, Electrical entry: Wiring bottom entry | ○ |
| E2 | | Output: NPN output, Electrical entry: Wiring top entry | ○ |
| E3 | | Output: PNP output, Electrical entry: Wiring bottom entry | ○ |
| E4 | Output: PNP output, Electrical entry: Wiring top entry | ○ | |

*1 Without pressure gauge, pressure gauge connection thread is fitted with a plug.

*2 Pressure gauge type G, M is included with pressure gauge.

⑧ Pressure gauge unit

| | | Pressure gauge type | | |
|--------------|---|---------------------|-----|----------|
| | | Nil/M | G/E | E1 to E4 |
| Nil | Pressure gauge in SI units: MPa | ○ | ○ | ○ |
| Z *1 | Pressure gauge: MPa/psi dual scale | — | ○ | ○ |
| ZA *2 | Digital pressure switch: With unit selection function | — | — | ○ |

*1 This product is for overseas use only according to the New Measurement Act. (The SI unit is provided for use in Japan.)

The digital pressure switch will be equipped with the unit selection function, setting to psi initially.

*2 This product is for overseas use only according to the New Measurement Act. (The SI unit is provided for use in Japan.)

⑨ Connected AC size

| Symbol | Connected AC size 1/2 port | Flow rate characteristics (2 ⇒ 3) | | Port size 3 port |
|-----------|-------------------------------|--------------------------------------|------|---------------------|
| | | C [dm ³ /(s·bar)] | b | |
| A3 | AC30 | 25.0 | 0.20 | G1" |
| A4 | AC40 | 31.0 | 0.15 | |
| A6 | AC50/60 | 35.8 | 0.10 | |

⑩ Thread type

[Pressure gauge connection thread (1/8")]*1

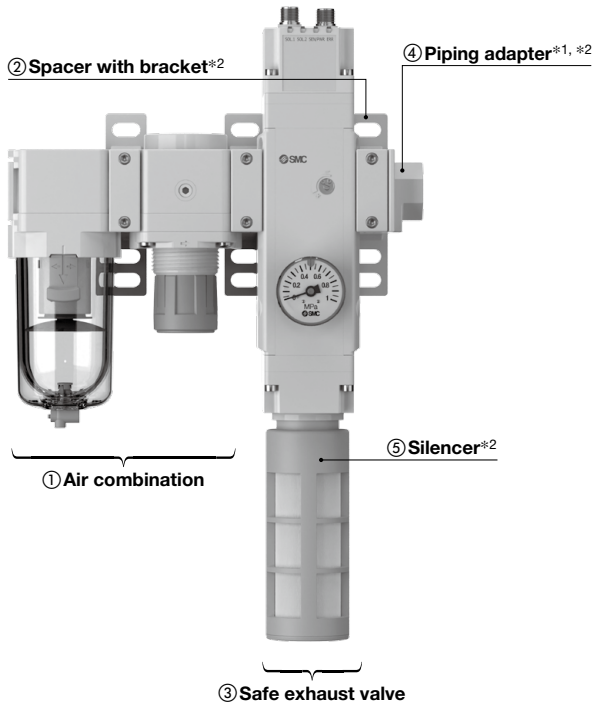
| Symbol | Pressure gauge type | | Nil/ G/M | E/E1 to E4 |
|------------|---------------------|-----|-------------|---------------|
| | Thread type | | | |
| Nil | Rc | △*2 | ○ | |
| N | NPT | ○*2 | — | |
| F | G | △*2 | — | |

*1 The thread is cut only when pressure gauge type "Nil," "G," or "M" is selected.

*2 When "G" is selected for the pressure gauge type, and "Z" is selected for the pressure gauge unit, only "N" (NPT) is supported.

* Port (exhaust port) is only G thread regardless of thread type.

Assembly Example



- *1 No connection thread in safe exhaust valve
Order a piping adapter separately.
- *2 Refer to page 15 for details on the spacer with bracket, piping adapter, and silencer.
- * Combination with lubricator cannot be used.
- * Between air combination and the safe exhaust valve, and between the safe exhaust valve and piping adapter, we recommend to install spacer with bracket to consider effect of moment, vibration, and impact.

Products do not come assembled. They should be ordered separately and assembled by the customer.

Please contact your local sales representative for more details.

Assembly Example

- ① Air combination AC40B-04E-D 1 pc.
- ② Spacer with bracket Y400T-D 2 pcs.
- ③ Safe exhaust valve
VPX406KT-5KONZ-DG-A4 1 pc.
- ④ Piping adapter E400-04-D 1 pc.
- ⑤ Silencer INA-25-100 1 pc.

Applicable Combinations/Attachment Part Nos.

| Safe exhaust valve | Air combination | | Spacer with bracket | Piping adapter | Silencer |
|--------------------|-----------------|-----------|---------------------|----------------|----------------|
| | Model | Component | | | |
| VPX406-A3 | AC30□-D | AF30-D | Y300T-D | E300-□ 03-D | INA-25- 100 |
| | | AR30-D | | | |
| VPX406-A4 | AC40□-D | AF40-D | Y400T-D | E400-□ 04-D | |
| | | AR40-D | | | |
| VPX406-A6 | AC50□-D | AF50-D | Y600T-D | E400-□ 06-D | |
| | | AR50-D | | | |
| | AC60□-D | AF60-D | | | |
| | | AR60-D | | | |

VPX400 Series

Valve Specifications

| | | | | |
|---|-------------------------------------|-------------------------------------|---|-------------|
| Valve specifications | Fluid | | Air | |
| | Type of actuation | | N.C. (Spring return)*1 | |
| | Operating pressure range | | 0.25 to 1.0 MPa | |
| | Proof pressure | | 1.5 MPa*2 | |
| | Ambient and fluid temperatures | | 0 to 50°C (No freezing) | |
| | Humidity range | | Operating/Stored: 35 to 85%RH (No condensation) | |
| | Max. operating frequency*3 | | 1 Hz | |
| | Manual override | | No | |
| | Pilot exhaust | | Individual exhaust | |
| | Lubrication | | Not possible | |
| | Mounting orientation | | Unrestricted | |
| | Impact/Vibration resistance*4 | | 150/30 m/s ² | |
| | Enclosure | Pressure gauge type: Nil, G, M, E | IP65 | |
| | | Pressure gauge type: E1, E2, E3, E4 | IP40 | |
| | Operating environment | | Indoors | |
| | Electrical wiring | | M12 connector x 2 pcs. | |
| | Indicator light | SOL.1/SOL.2/SEN.PWR.*5 | LED (Green) | |
| | | ERR.*6 | LED (Red) | |
| | Surge voltage suppressor | | Diode | |
| Polarity protection circuit | | Yes | | |
| B _{10D} | | 1,083,893 cycles | | |
| Coil specifications (SOL.) | Rated voltage | | 24 VDC | |
| | Allowable voltage fluctuation | | Rated voltage | +10% -8% |
| | Power consumption | Inrush | 0.45 W x 2 | |
| | | Holding | 0.2 W x 2 | |
| Pressure sensor | Sensor E | For fault detection | | |
| | Sensor 2 | For 2 port output detection | | |
| Fault detection specifications (SEN.) | Rated voltage | | 24 VDC | |
| | Allowable voltage fluctuation | | ±10% of the rated voltage with 10% voltage ripple or less | |
| | Power consumption | | 0.3 W x 2 | |
| | Output type | | PNP open collector output | |
| | Output mode | | Hysteresis mode | |
| | Max. load current | | 80 mA | |
| | Internal voltage drop | | 1 V or less (at load current of 80 mA) | |
| | Short circuit protection | | No | |
| Digital pressure switch (Pressure gauge type: E1/E2/E3/E4 selected)*7 | Display/Smallest settable increment | | 0.01 MPa | |
| | Rated voltage | | 24 VDC | |
| | Allowable voltage fluctuation | | ±10% of the rated voltage with 10% voltage ripple or less | |
| | Output type | | NPN or PNP open collector output | |
| | Repeatability | | ±1% F.S. | |
| | Display accuracy | | ±1% F.S. ±1 digit (at 25°C ±3°C) | |
| | Electrical wiring | | M12 connector | |

*1 Soft-start valve is air return type.

*2 Since proof pressure is hazard free pressure with no damage, do not apply a pressure more than operating pressure range. Malfunction or air leakage may result.

*3 Duty ratio: 50%, With no load

*4 Impact resistance: No malfunction occurred when it is tested in the axial direction and at the right angles to the main valve and armature in both energized and de-energized states every once for each condition. (Values at the initial period)

*5 SEN.PWR. lights up when 2 pressure sensors are energized simultaneously.

*6 ERR. lights up when 2 spools are inconsistencies.

*7 For other specifications, refer to the ISE35 series operation manual.

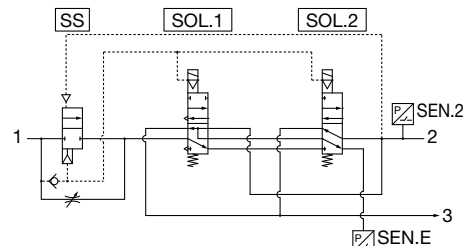
* This valve is a large flow rate pilot-operated solenoid valve. If the operating pressure falls below 0.25 MPa due to a pressure drop caused by insufficient air supply, it may not be able to switch properly.

Flow Rate Characteristics

| Series | Flow rate characteristics | | | | Weight [kg] |
|-----------|------------------------------|------|------------------------------|------|-------------|
| | 1 → 2 | | 2 → 3 | | |
| | C [dm ³ /(s·bar)] | b | C [dm ³ /(s·bar)] | b | |
| VPX406-A3 | 16.2 | 0.40 | 25.0 | 0.20 | 1.71 |
| VPX406-A4 | 20.0 | 0.30 | 31.0 | 0.15 | |
| VPX406-A6 | 22.6 | 0.25 | 35.8 | 0.10 | 1.81 |

* Weight is when there is no M12 connector cable (V100-200-5-30). M12 connector cable weight (2 pcs.) = 0.4 kg

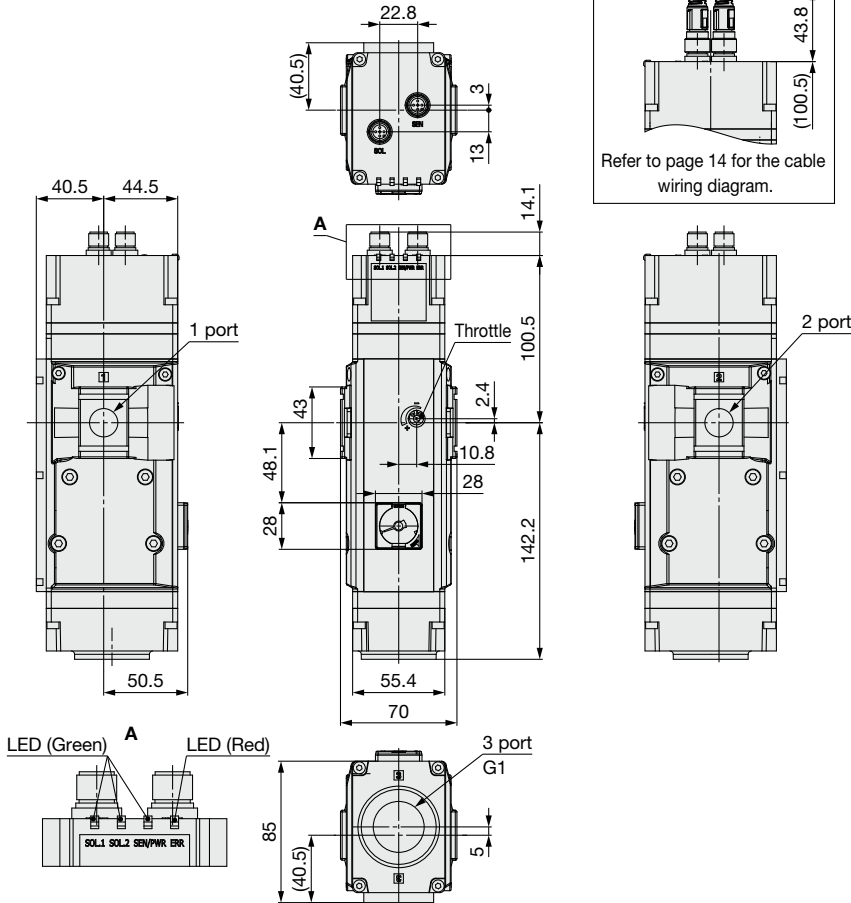
Symbols



Dimensions

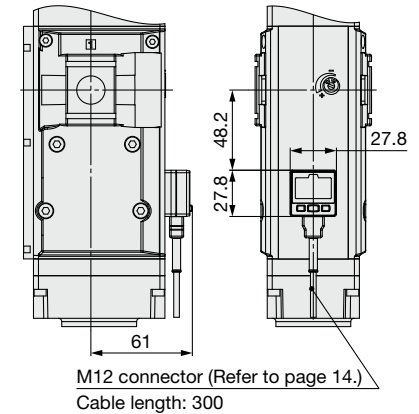
VPX406KT-5KO□-□E□-A3

Square embedded type pressure gauge



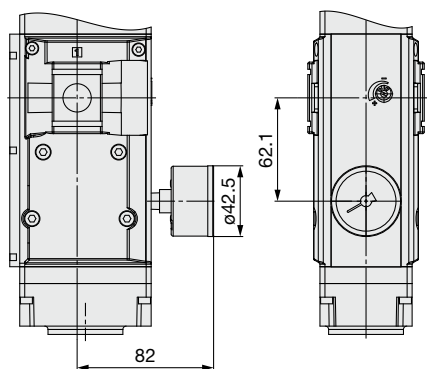
VPX406KT-5KO□-□E¹_{E3}□-A3

Digital pressure switch/
Electrical entry: Bottom entry



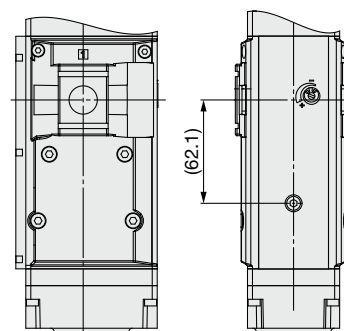
VPX406KT-5KO□-□G_M□-A3

Round type pressure gauge



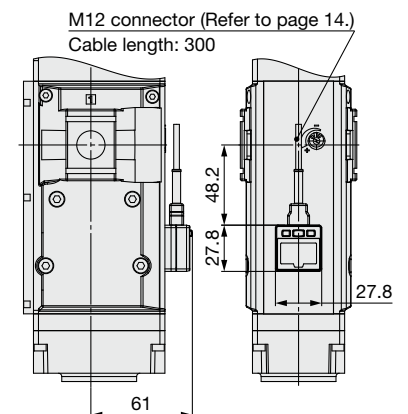
VPX406KT-5KO□-□□-A3

Without pressure gauge



VPX406KT-5KO□-□E²_{E4}□-A3

Digital pressure switch/
Electrical entry: Top entry

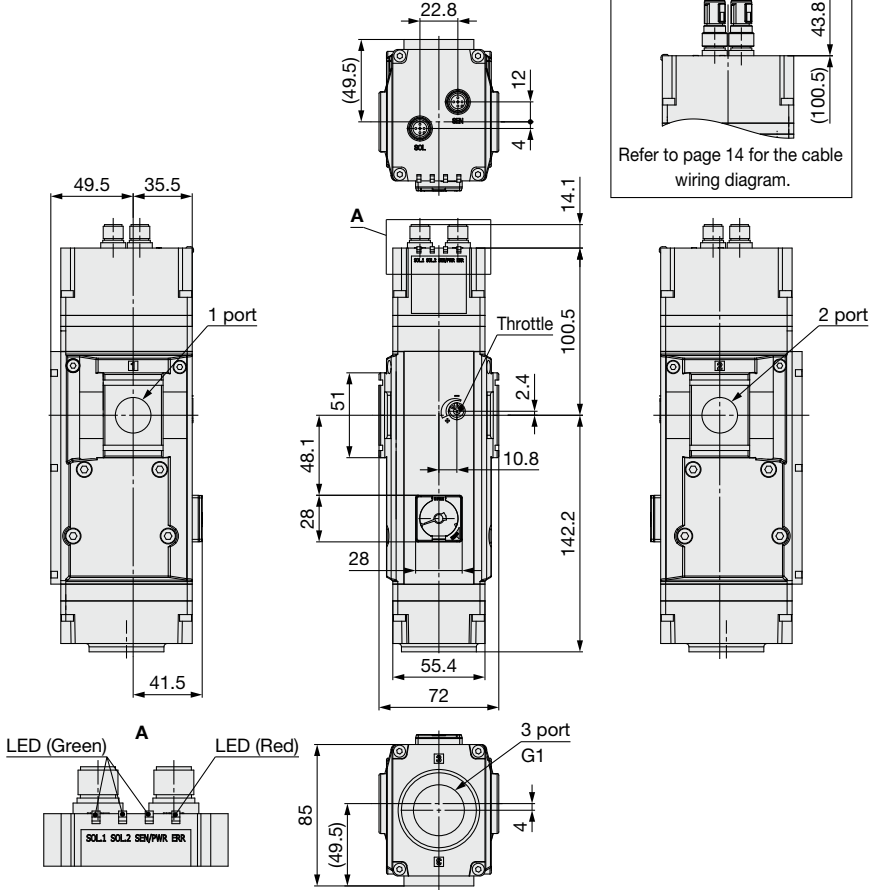


VPX400 Series

Dimensions

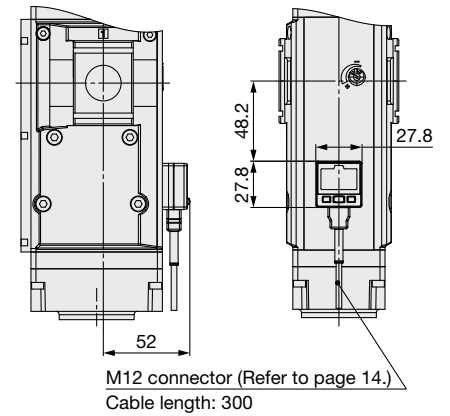
VPX406KT-5KO□-□E□-A4

Square embedded type pressure gauge



VPX406KT-5KO□-□E₃□-A4

Digital pressure switch/
Electrical entry: Bottom entry

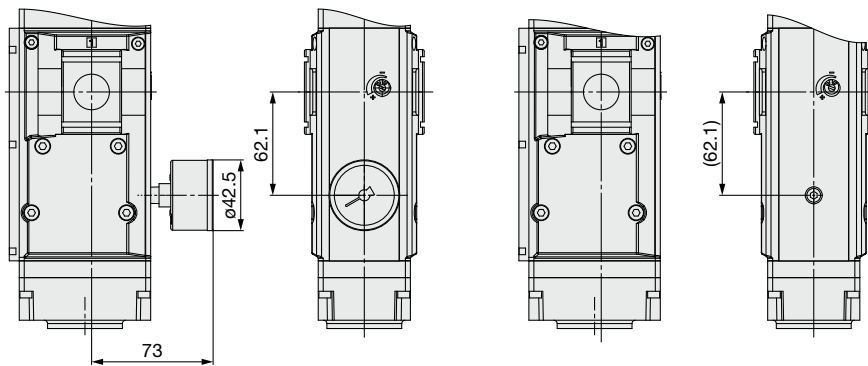


VPX406KT-5KO□-□G_M□-A4

Round type pressure gauge

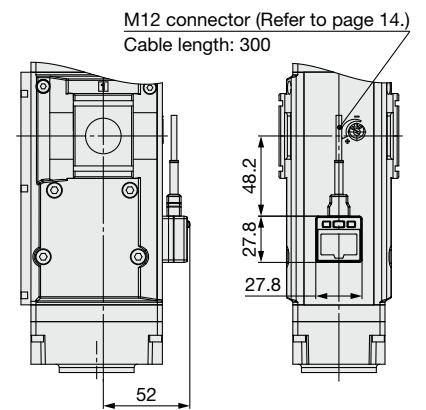
VPX406KT-5KO□-□□-A4

Without pressure gauge



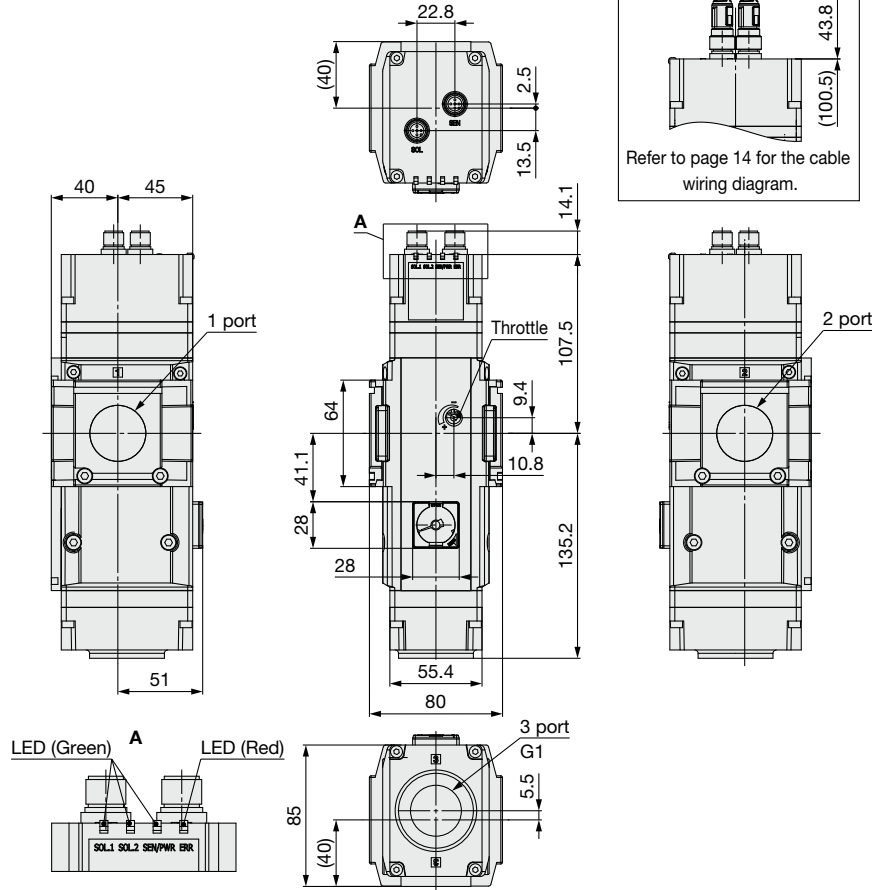
VPX406KT-5KO□-□E₄□-A4

Digital pressure switch/
Electrical entry: Top entry

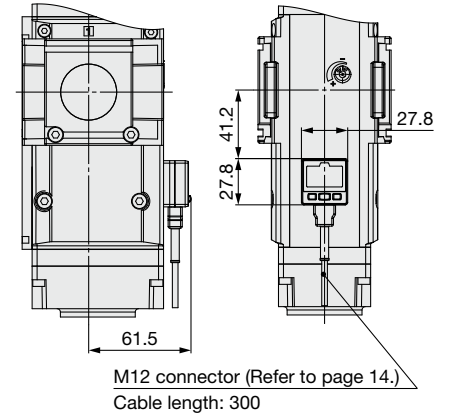


Dimensions

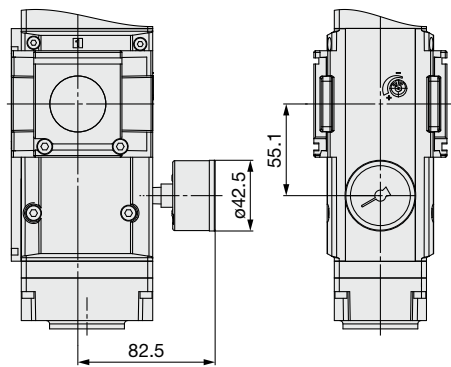
VPX406KT-5KO□-□E□-A6
Square embedded type pressure gauge



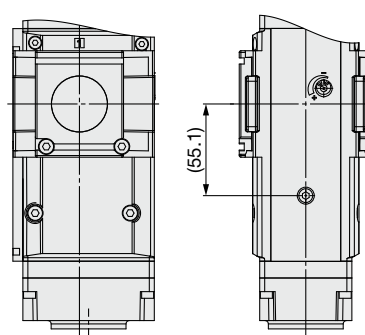
VPX406KT-5KO□-□E3□-A6
Digital pressure switch/
Electrical entry: Bottom entry



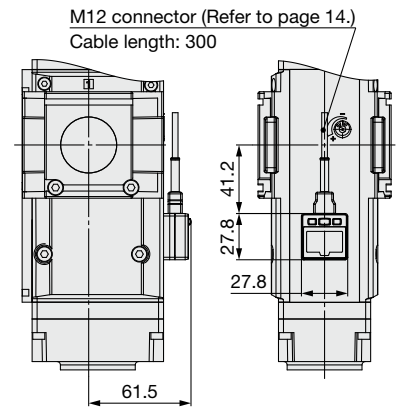
VPX406KT-5KO□-□GM□-A6
Round type pressure gauge



VPX406KT-5KO□-□□-A6
Without pressure gauge



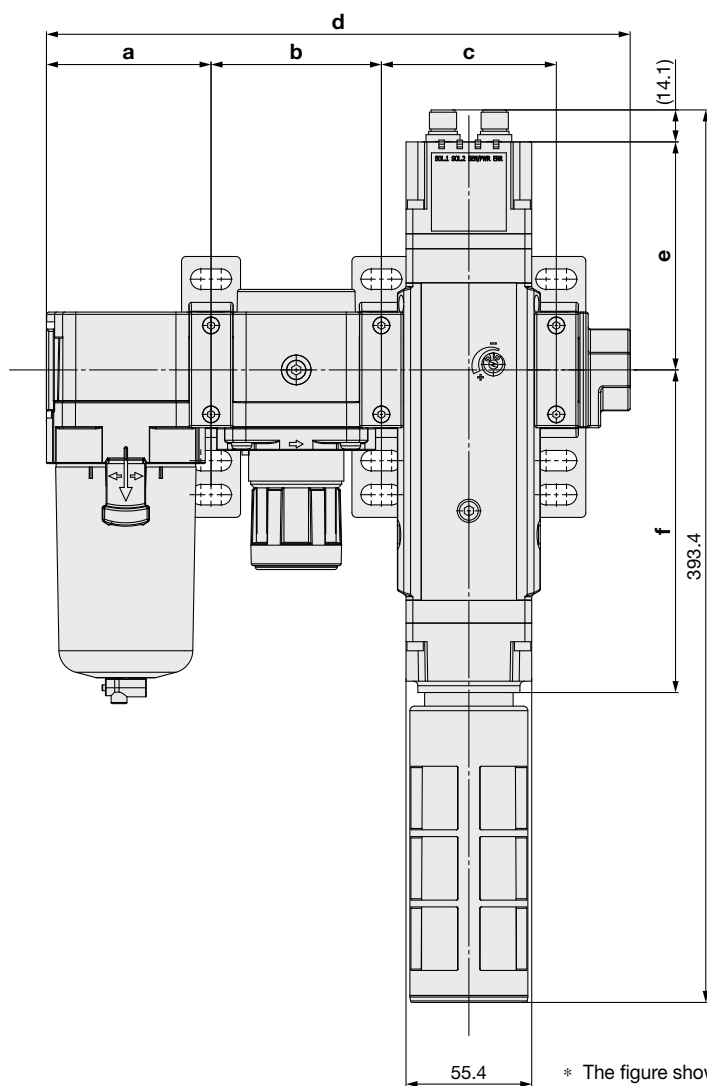
VPX406KT-5KO□-□E2E4□-A6
Digital pressure switch/
Electrical entry: Top entry



VPX400 Series

Dimensions

Assembly drawing of VP406 and AC



* The figure shows connection of VPX406-A4 and AC40.

| Model | a | b | c | d | e | f | Note |
|----------------------|------|-------|------|-------|-------|-------|------------------------------------|
| VPX406KT-5□□-□□□-A3□ | 55.1 | 57.2 | 74.2 | 215.6 | 100.5 | 142.2 | AC30B-03-D Y300T-D E300-03-D |
| VPX406KT-5□□-□□□-A4□ | 72.6 | 75.2 | 77.1 | 257.3 | 100.5 | 142.2 | AC40B-04-D Y400T-D E400-04-D |
| VPX406KT-5□□-□□□-A6□ | 93.1 | 96.2 | 86.2 | 317.6 | 107.5 | 135.2 | AC50B-10-D Y600T-D E600-10-D |
| | 98.1 | 101.2 | 86.2 | 327.6 | 107.5 | 135.2 | AC60B-10-D Y600T-D E600-10-D |

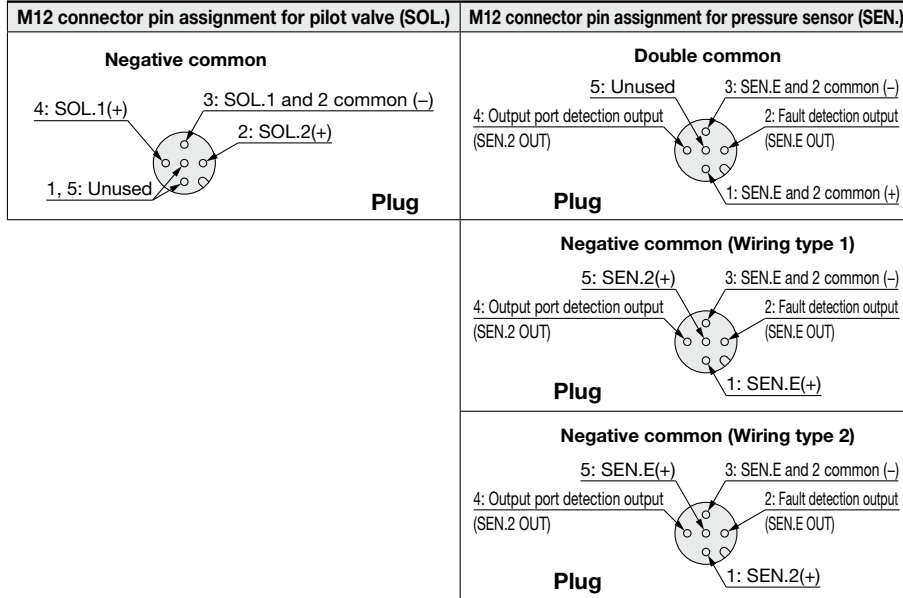
VPX400 Series

Valve Wiring Diagrams, Optional Accessories

For details on optional accessories, refer to the **Web Catalog**.

Connector Cord Assembly for Pressure Switch

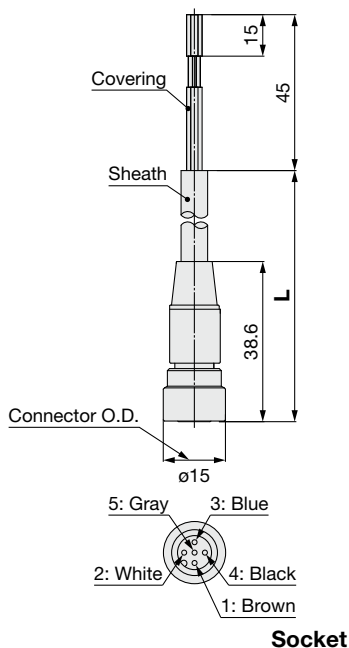
Valve Wiring Diagrams



M12 Connector Cable (For SOL., SEN., and Pressure switch)

For pressure switch (when E1, E2, E3, or E4 is selected)

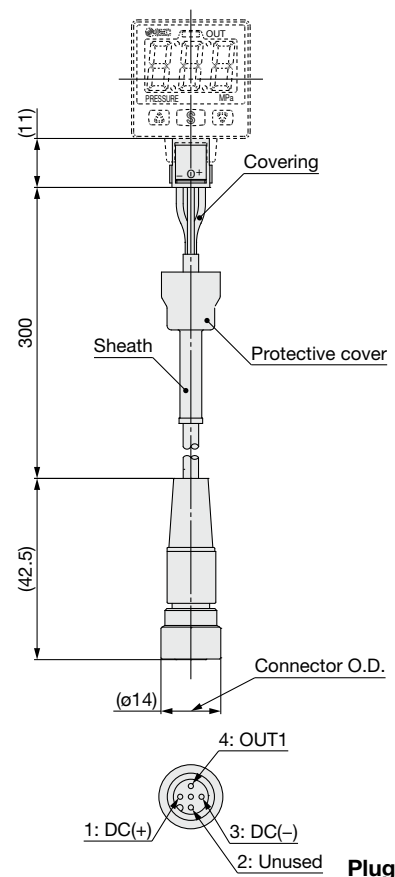
For SOL. and SEN.



| Part no. | Lead wire length (L) |
|---------------|----------------------|
| V100-200-5-10 | 1000 mm |
| V100-200-5-30 | 3000 mm |
| V100-200-5-50 | 5000 mm |

* The cable wiring numbers correspond to the wiring numbers in the valve wiring diagram above. Refer to the valve wiring diagram for wiring.

| | |
|-------------------------|---------------------|
| Sheath O.D. | ø6.5 mm |
| Cover diameter | ø1.8 mm |
| Conductor cross section | 0.5 mm ² |



| | |
|-------------------------|---------------------|
| Sheath O.D. | ø3.4 mm |
| Cover diameter | ø1.16 mm |
| Conductor cross section | 0.2 mm ² |

VPX400 Series

Spacer with Bracket

Y **300** T - D

①

Spacer with bracket
(Y□T-D)



| ① Symbol | Connected AC size |
|----------|-------------------|
| 300 | A3 (AC30) |
| 400 | A4 (AC40) |
| 600 | A6 (AC50/60) |

* For specifications and dimensions, refer to the AC series catalog.

Silencer

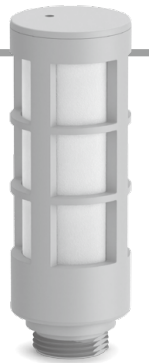
INA - 25 - 100

Specifications

| Fluid | Air |
|--------------------------------|----------------------------|
| Max. operating pressure*1 | 1.0 MPa |
| Noise reduction | 24 dB(A)*2 |
| Ambient and fluid temperatures | 0 to 50°C (No freezing) |

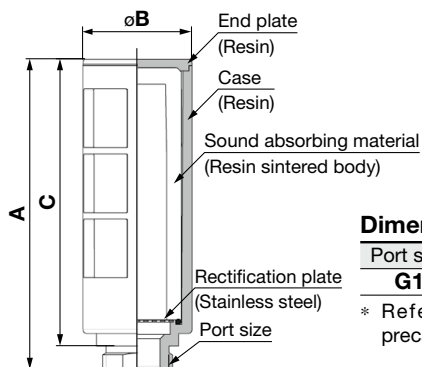
*1 It indicates the inlet pressure of the valve.

*2 The value may vary depending on the pneumatic circuit or pressure that is exhausted from the valve.



Performance

| Effective area [mm ²] | Sonic conductance C [dm ³ /(s·bar)] | Weight [g] |
|-----------------------------------|--|------------|
| 180 | 36 | 150 |



Dimensions [mm]

| Port size | A | B | C |
|-----------|-------|-----|-------|
| G1 | 148.1 | ø52 | 136.6 |

* Refer to the AN series for precautions such as mounting.

Piping Adapter: 1/4, 3/8, 1/2, 3/4, 1, 1 1/4, 1 1/2

· Using on the inlet side or the outlet side of the valve makes it easier to perform maintenance, as the component can be installed/removed without removing the piping.

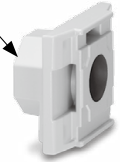
Port size

E **300** - □ **03** - D

①

②

③






| | Symbol | Description | ① Body size [Applicable AC size] | | |
|--------------------|--------|-------------|----------------------------------|------------|---------------|
| | | | 300 [AC30] | 400 [AC40] | 600 [AC50/60] |
| ② Pipe thread type | Nil | Rc | ● | ● | ● |
| | N | NPT | ● | ● | ● |
| | F | G | ● | ● | ● |
| + | | | | | |
| ③ Port size | 02 | 1/4 | ● | ● | — |
| | 03 | 3/8 | ● | ● | — |
| | 04 | 1/2 | ● | ● | — |
| | 06 | 3/4 | — | ● | ● |
| | 10 | 1 | — | — | ● |
| | 12 | 1 1/4 | — | — | ● |
| 14 | 1 1/2 | — | — | ● | |

* For specifications and dimensions, refer to the AC series catalog.

Safety standard ISO 13849-1 compliant.

These safety instructions are intended to prevent hazardous situations and/or equipment damage. These instructions indicate the level of potential hazard with the labels of “**Caution**,” “**Warning**” or “**Danger**.” They are all important notes for safety and must be followed in addition to International Standards (ISO/IEC)*1), and other safety regulations.

Safety Instructions

-  **Danger :** **Danger** indicates a hazard with a high level of risk which, if not avoided, will result in death or serious injury.
-  **Warning:** **Warning** indicates a hazard with a medium level of risk which, if not avoided, could result in death or serious injury.
-  **Caution:** **Caution** indicates a hazard with a low level of risk which, if not avoided, could result in minor or moderate injury.

*1) ISO 4414: Pneumatic fluid power - General rules and safety requirements for systems and their components
ISO 4413: Hydraulic fluid power - General rules and safety requirements for systems and their components
IEC 60204-1: Safety of machinery - Electrical equipment of machines - Part 1: General requirements
ISO 10218-1: Robots and robotic devices - Safety requirements for industrial robots - Part 1: Robots etc.

Warning

- 1. The compatibility of the product is the responsibility of the person who designs the equipment or decides its specifications.**

Since the product specified here is used under various operating conditions, its compatibility with specific equipment must be decided by the person who designs the equipment or decides its specifications based on necessary analysis and test results. The expected performance and safety assurance of the equipment will be the responsibility of the person who has determined its compatibility with the product. This person should also continuously review all specifications of the product referring to its latest catalog information, with a view to giving due consideration to any possibility of equipment failure when configuring the equipment.
- 2. Only personnel with appropriate training should operate machinery and equipment.**

The product specified here may become unsafe if handled incorrectly. The assembly, operation and maintenance of machines or equipment including our products must be performed by an operator who is appropriately trained and experienced.
- 3. Do not service or attempt to remove product and machinery/equipment until safety is confirmed.**
 1. The inspection and maintenance of machinery/equipment should only be performed after measures to prevent falling or runaway of the driven objects have been confirmed.
 2. When the product is to be removed, confirm that the safety measures as mentioned above are implemented and the power from any appropriate source is cut, and read and understand the specific product precautions of all relevant products carefully.
 3. Before machinery/equipment is restarted, take measures to prevent unexpected operation and malfunction.
- 4. Our products cannot be used beyond their specifications. Our products are not developed, designed, and manufactured to be used under the following conditions or environments. Use under such conditions or environments is not covered.**
 1. Conditions and environments outside of the given specifications, or use outdoors or in a place exposed to direct sunlight.
 2. Use for nuclear power, railways, aviation, space equipment, ships, vehicles, military application, equipment affecting human life, body, and property, fuel equipment, entertainment equipment, emergency shut-off circuits*2), press clutches, brake circuits*2), safety equipment*2), etc., and use for applications that do not conform to standard specifications such as catalogs and operation manuals.
 3. Use for interlock circuits, except for use with double interlock such as installing a mechanical protection function in case of failure. Please periodically inspect the product to confirm that the product is operating properly.

*2) Except for machinery safety in factory automation applications

Caution

We develop, design, and manufacture our products to be used for automatic control equipment, and provide them for peaceful use in manufacturing industries.

Use in non-manufacturing industries is not covered.

Products we manufacture and sell cannot be used for the purpose of transactions or certification specified in the Measurement Act.
The new Measurement Act prohibits use of any unit other than SI units in Japan.

Limited warranty and Disclaimer/ Compliance Requirements

The product used is subject to the following “Limited warranty and Disclaimer” and “Compliance Requirements”.


Read and accept them before using the product.

Limited warranty and Disclaimer

1. The warranty period of the product is 1 year in service or 1.5 years after the product is delivered, whichever is first.*3)
Also, the product may have specified durability, running distance or replacement parts. Please consult your nearest sales branch.
2. For any failure or damage reported within the warranty period which is clearly our responsibility, a replacement product or necessary parts will be provided. This limited warranty applies only to our product independently, and not to any other damage incurred due to the failure of the product.
3. Prior to using SMC products, please read and understand the warranty terms and disclaimers noted in the specified catalog for the particular products.
 - *3) **Vacuum pads are excluded from this 1 year warranty.**
A vacuum pad is a consumable part, so it is warranted for a year after it is delivered. Also, even within the warranty period, the wear of a product due to the use of the vacuum pad or failure due to the deterioration of rubber material are not covered by the limited warranty.

Compliance Requirements

1. The use of SMC products with production equipment for the manufacture of weapons of mass destruction (WMD) or any other weapon is strictly prohibited.
2. The exports of SMC products or technology from one country to another are governed by the relevant security laws and regulations of the countries involved in the transaction. Prior to the shipment of a SMC product to another country, assure that all local rules governing that export are known and followed.

 **Safety Instructions** Be sure to read the “Handling Precautions for SMC Products” (M-E03-3) and “Operation Manual” before use.

SMC Corporation

Akihabara UDX 15F,
4-14-1, Sotokanda, Chiyoda-ku, Tokyo 101-0021, JAPAN
Phone: 03-5207-8249 Fax: 03-5298-5362
<https://www.smcworld.com>
© 2024 SMC Corporation All Rights Reserved

Specifications are subject to change without prior notice and any obligation on the part of the manufacturer.