


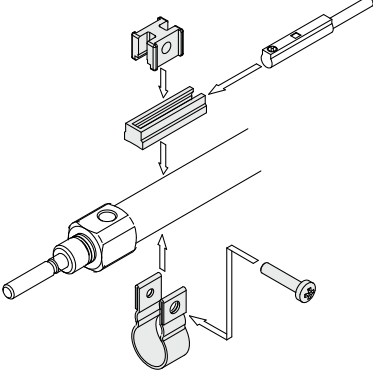

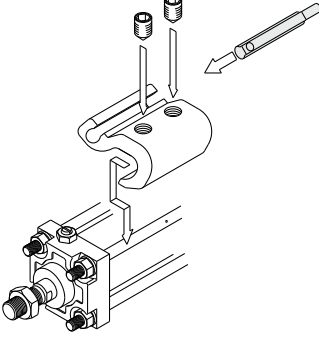

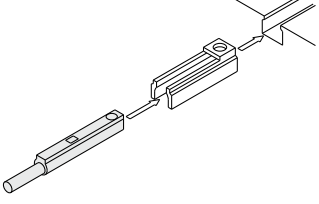
Cylinder Applicable Auto Switch List

Cylinder series		CDJ2-Z	CDJ2	CDM2-Z	CDBM2	CDG1-Z	CDG1	CDA2	CUJ	CDU	CDQS	CDQ2-Z	REC	CXSJ	CXS	MGP-Z	MGP	MGF	MXP	MXQ	MXS	CYP	CDQSX	CDQ2X	CDM2X			
Bore size		ø10/ø16	ø6	ø20 to ø40	ø20 to ø40	ø20 to ø63	ø80/ø100	ø20 to ø63	ø80/ø100	ø40 to ø63	ø6 to ø10	ø6 to ø25	ø12 to ø25	ø32 to ø100	ø20 to ø40	ø6/ø10	ø6 to ø32	ø12 to ø63	ø12 to ø63	ø40/ø63/ø100	ø6 to ø16	ø6 to ø25	ø6 to ø25	ø15/ø32	ø12 to ø25	ø32 to ø63	ø20 to ø40	
Solid state switch	D-H7																											
	D-H7C																											
	D-H7BA																											
	D-H7□F																											
	D-H7□W																											
	D-G5/K5																											
	D-G5BA																											
	D-G59F																											
	D-G5NT																											
	D-G5□W/K59W																											
	D-G39/K39																											
	D-G39A/K39A																											
	D-F7/J7																											
	D-J79C																											
	D-F79F																											
	D-F7BA																											
	D-F7BAV																											
	D-F7□V																											
	D-F7NT																											
	D-F7□W(V)																											
	D-F5/J5																											
	D-F5BA																											
	D-F5□W/J59W																											
	D-F59F																											
	D-F5NT																											
	D-G39C/K39C																											
	D-M9	*	*	*	*	*	*	*	*	*	*	*	*	*	*	*	*	*	*	*	*	*	*	*	*	*	*	*
	D-M9□V	*	*	*	*	*	*	*	*	*	*	*	*	*	*	*	*	*	*	*	*	*	*	*	*	*	*	*
	D-M9□W	*	*	*	*	*	*	*	*	*	*	*	*	*	*	*	*	*	*	*	*	*	*	*	*	*	*	*
	D-M9□WV	*	*	*	*	*	*	*	*	*	*	*	*	*	*	*	*	*	*	*	*	*	*	*	*	*	*	*
	D-M9□A/M9□AV	*	*	*	*	*	*	*	*	*	*	*	*	*	*	*	*	*	*	*	*	*	*	*	*	*	*	*
	D-Y59A/Y7P/Y59B																											
	D-Y69A/Y7PV/Y69B																											
	D-Y7□W																											
	D-Y7□WV																											
	D-Y7BA																											
	D-P4DW																											
	D-F9G/H(Normally closed)	*	*	*	*	*	*	*	*	*	*	*	*	*	*	*	*	*	*	*	*	*	*	*	*	*	*	*
	D-Y7G/H(Normally closed)																											
	D-G5NB																											
D-F8□																												
Reed switch	D-C7/C8																											
	D-C73C/C80C																											
	D-B5/B6																											
	D-B59W																											
	D-A3/A4																											
	D-A3□A/A44A																											
	D-A3□C/A44C																											
	D-A7/A8																											
	D-A7□H/A80H																											
	D-A73C/A80C																											
	D-A79W																											
	D-A5/A6																											
	D-A59W																											
	D-A9	*	*	*	*	*	*	*	*	*	*	*	*	*	*	*	*	*	*	*	*	*	*	*	*	*	*	*
	D-A9□V	*	*	*	*	*	*	*	*	*	*	*	*	*	*	*	*	*	*	*	*	*	*	*	*	*	*	*
	D-Z7/Z8																											

Please refer to the next page for applicable auto switches and cylinders in the fields marked with asterisks (*).

Compact Auto Switch Mounting Bracket

Mounting brackets used for installing the compact auto switches D-A9/M9 onto band mounting / tie-rod mounting / groove mounting style cylinders are available.

<p>Band mounting</p>  <p>Applicable cylinder Series 10-/11-/21-/22-CDJ2 Series 10-/11-/21-/22-CDM2 Series 10-/11-/21-/22-CDG1 Series 10-/11-REC Series 10-/11-CDM2X</p>		
<p>Tie-rod mounting</p>  <p>Applicable cylinder Series 10-/11-/21-/22-CDA2</p>		<p>Applicable auto switch</p> <p>Solid state switch D-M9/M9□V D-M9□W/M9□WV (2-color indication) D-M9□A (water resistant type)</p> <p>Reed switch D-A9/D-A9□V</p>
<p>Groove mounting</p>  <p>Applicable cylinder Series 21-/22-MGP</p>		

* For detailed auto switch specifications, refer to the SMC **WEB catalog** or the Best Pneumatics No. 2 and 3.