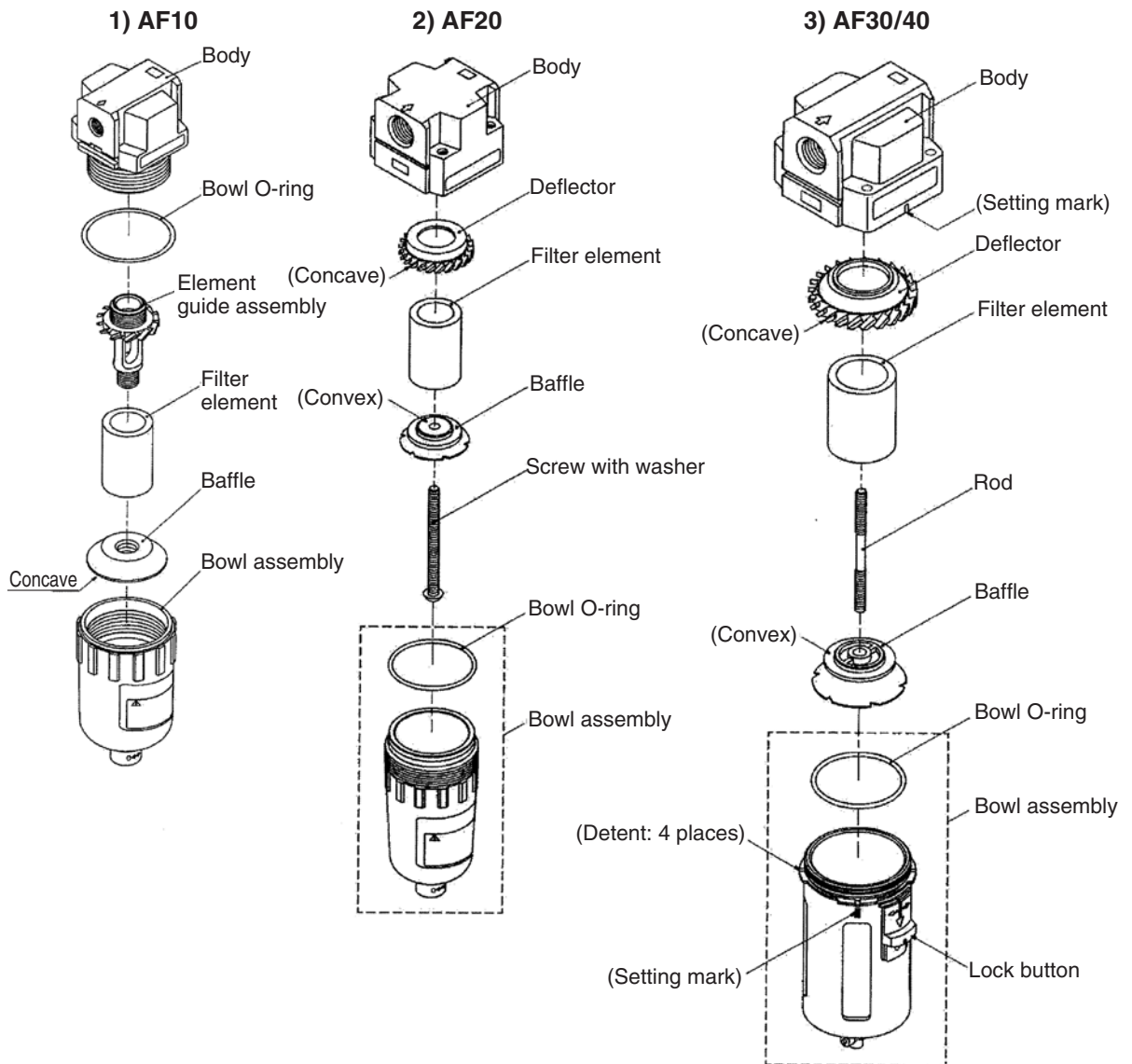
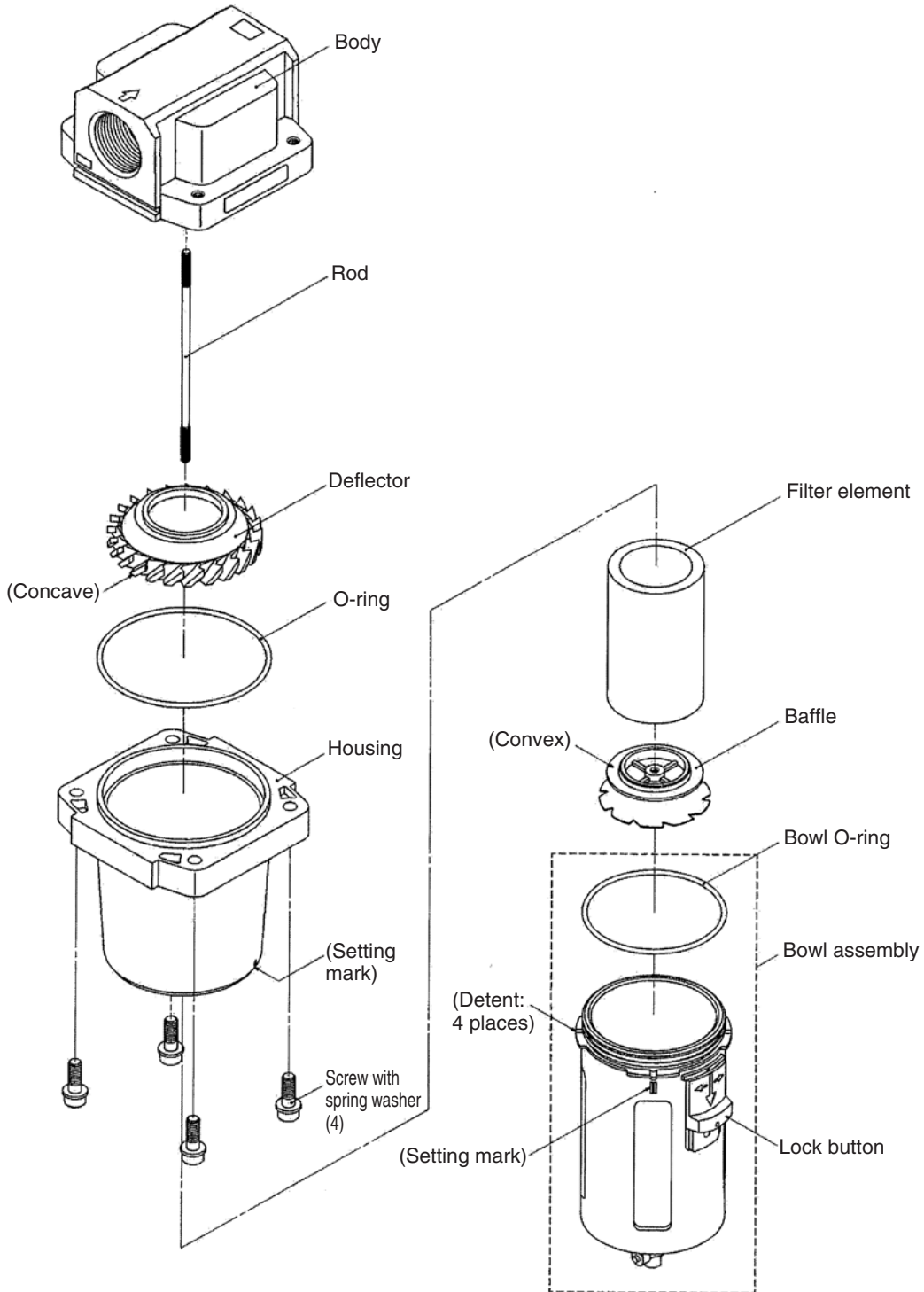


AF10 to 40 Exploded View 1



AF50/60 Exploded View 2

4) AF50/60



Actuators

Modular F.R.L.
Pressure Control Equipment

Air Preparation
Equipment

Industrial Filters

Replacement
Procedure

Actuators

Modular F.R.L.
Pressure Control Equipment

Industrial Filters

Series AF10 to 60 Replacement Procedure of Element 1

Warning

Before replacement, ensure that the regulator is not pressurized.
After replacement, ensure that specified function is satisfied and external leakage is not found before starting operation.

1. Bowl Assembly/Element

Applicable model	Process	Procedure	Tools	Check item
AF10	Disassembly	1) Remove the bowl assembly. Hold the bowl assembly by hand and rotate counterclockwise to remove the bowl assembly. If the bowl assembly is tightened too much to be removed, use hook spanner until it can be loosened by hand.	(Hook spanner Nominal: 25/28)	—
		2) Remove the baffle element Rotate the baffle by hand and counterclockwise to remove the baffle and element.	—	—
	Assembly	3) Mount the element. Mount the element to the element guide.	—	—
		4) Mount the baffle. Hold the baffle by hand to rotate it clockwise and mount the element. Baffle has mount direction. See disassembly drawing. For baffle tightening torque, see check item.	—	Tightening torque: 0.35 ± 0.05 N·m
		5) Mount the bowl assembly. Hold the bowl assembly by hand and rotate clockwise. Do not use tool for mounting because the bowl may be damaged. Refer to the "Check item" for referential tightening torque.	—	Referential tightening torque: 1.5 N·m
AF20	Disassembly	1) Remove the bowl assembly. Hold the bowl assembly by hand and rotate counterclockwise to remove the bowl assembly. If the bowl assembly is tightened too much to be removed, use hook spanner until it can be loosened by hand.	(Hook spanner Nominal: 34/38)	—
		2) Remove the cross recessed round head screw, baffle, element and deflector. Turn the cross recessed round head screw counterclockwise with a Phillips head screw driver to remove the baffle, element, and deflector.	Phillips head screw driver	—
	Assembly	3) Mount the deflector. Set the deflector into the body assembly while carefully checking the installation orientation (direction, in which the element enters the concave side).	—	Direction of deflector (For element concave side →Refer to the exploded view.)
		4) Mount the element. Insert the element into the recess of deflector.	—	—
		5) Mount the baffle. Insert the element while carefully checking the installation orientation (direction, in which the element enters the convex side).	—	Direction of baffle (For element convex side →Refer to the exploded view.)
		6) Tighten the cross recessed round head screw to secure the baffle, element, and deflector. Turn the cross recessed round head screw clockwise with a Phillips screwdriver to secure the baffle, element, and deflector. Refer to the "Check item" for tightening torque.	Phillips head screw driver	Tightening torque: 0.35 ± 0.05 N·m
		7) Mount the bowl assembly. Hold the bowl assembly by hand and rotate clockwise. Do not use tool for mounting because the bowl may be damaged. See check item for referential tightening torque.	—	Referential tightening torque: 2.2 N·m

Series AF10 to 60 Replacement Procedure of Element 2

Applicable model	Process	Procedure	Tools	Check item
AF30 AF40	Disassembly	1) Remove the bowl assembly. Push the bowl assembly lock button. Lifting the bowl assembly, rotate the assembly 45 degree (right or left) to pull out the assembly.	—	—
		2) Remove the baffle, element and deflector. Turn the baffle counterclockwise by hand to remove the baffle, element, and deflector.	—	—
	Assembly	3) Mount the deflector. Set the deflector into the body assembly while carefully checking the installation orientation (direction, in which the element enters the concave side).	—	Direction of deflector (For element concave side →Refer to the exploded view.)
		4) Mount the element. Insert the element into the recess of deflector.	—	—
		5) Mount the baffle. Insert the element while carefully checking the installation orientation (direction, in which the element enters the convex side).	—	Direction of baffle (For element convex side →Refer to the exploded view.)
		6) Tighten the baffle to secure the baffle, element, and deflector. Turn the baffle clockwise by hand until it is lightly connected to the element and deflector. After that, tighten the baffle further about 1/2 turn clockwise. Refer to the "Check item" for referential tightening torque.	—	Referential tightening torque: AF30: 0.5 N·m AF40: 0.9 N·m
		7) Mount the bowl assembly. Match the mating mark of the body and the bowl assembly to insert the assembly to the body. Rotate the assembly 45 degree (right or left) until the lock button is tossed up to mount the bowl assembly. Ensure the lock button is up.	—	Lock button is up.
AF50 AF60	Disassembly	1) Remove the bowl assembly Push the bowl assembly lock button. Lifting the bowl assembly, rotate the assembly 45 degree (right or left) to pull out the assembly.	—	—
		2) Remove the baffle element Rotate the baffle by hand and counterclockwise to remove the baffle and element.	—	—
	Assembly	3) Mount the element. Insert the element into the recess of deflector.	—	—
		4) Mount the baffle. Insert the element while carefully checking the installation orientation (direction, in which the element enters the convex side).	—	Direction of baffle (For element convex side →Refer to the exploded view.)
		5) Tighten the baffle to secure the baffle and element. Turn the baffle clockwise by hand until it is lightly connected to the element and deflector. After that, tighten the baffle further about 1/2 turn clockwise. Refer to the "Check item" for referential tightening torque.	—	Referential tightening torque: 1.8 N·m
		7) Mount the bowl assembly. Match the mating mark of the housing and the bowl assembly to insert the assembly to the housing. Rotate the assembly 45 degree (right or left) until the lock button is tossed up to mount the bowl assembly. Ensure the lock button is up.	—	Lock button is up.

Actuators

Modular F.R.L.
Pressure Control Equipment

Air Preparation
Equipment

Industrial Filters

Replacement
Procedure

Actuators

Modular F.R.L.
Pressure Control Equipment

Industrial Filters