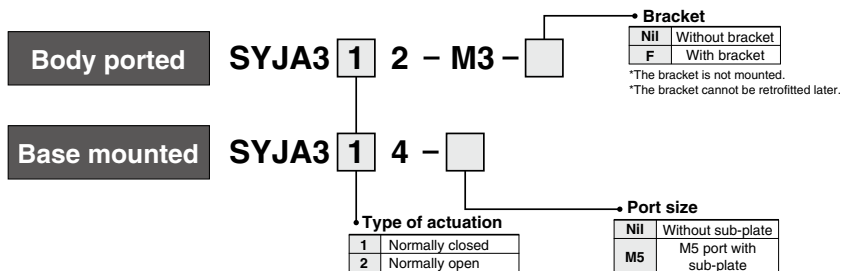


# 3 Port Air Operated Valve

# **SYJA300 Series**

## How to Order



## How to Order Manifold Base

Same manifolds as SYJ300 series are prepared.

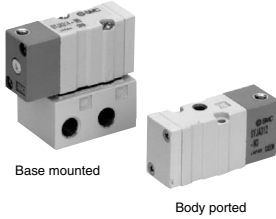
**SS3YJA3** -

\* Instruct by specifying the valves and blanking plate assembly to be mounted on the manifold along with the manifold base model no.

(Ex.) **SS3YJA3-41-03-M3** ..... 1 set  
 \* SYJA314 ..... 1 set  
 \* SYJA324 ..... 1 set  
 \* SYJ300-10-2A ..... 1 set

↳ The asterisk denotes the symbol for assembly. Prefix it to the part nos. of the solenoid valve, etc.

## Compact and lightweight



## Specifications

Fluid	Air
Operating pressure range MPa	0.15 to 0.7
Pilot pressure range MPa <small>Note 1)</small>	Operating pressure range to 0.7
Ambient and fluid temperature (°C)	-10 to 60 (No freezing)
Lubrication	Not required
Mounting orientation	Unrestricted
Impact/Vibration resistance (m/s <sup>2</sup> ) <small>Note 2)</small>	150/30

Note 1) Be certain that pressure within operating pressure range be supplied to supply port, because return pressure is introduced from supply port (1(P)) for activation.

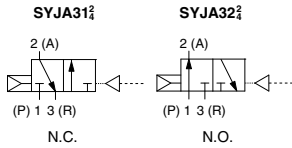
Note 2) Impact resistance: No malfunction resulted from the impact test using a drop impact tester. The test was performed on the axis and right angle directions of the main valve, when pilot signal is ON and OFF. (Value in the initial state)

Vibration resistance: No malfunction occurred in one sweep test between 45 and 2000 Hz. Test was performed to axis and right angle directions of the main valve when pilot signal is ON and OFF. (Value in the initial state)

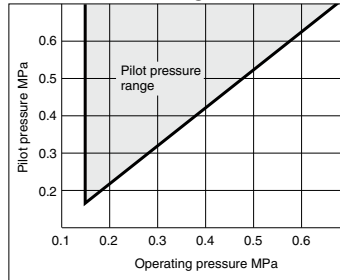
## With Bracket

Air operated valve type	SYJA3 <sup>1</sup> / <sub>2</sub> -M3-F
-------------------------	---

## Symbol



## Pilot Pressure Range



## ⚠ Caution

Be sure to read this before handling the products. Refer to back page 50 for Safety Instructions and pages 3 to 9 for 3/4/5 Port Solenoid Valve Precautions.

## Flow Rate Characteristics/Weight

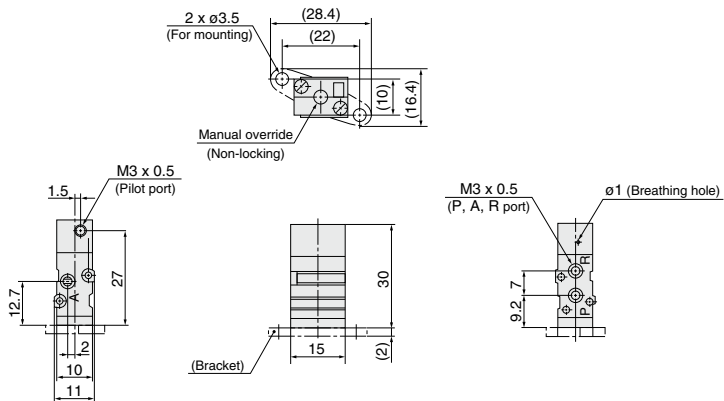
Valve model	Type of actuation	Port size	Flow rate characteristics						Pilot port size	Weight (g)	Effective area (mm <sup>2</sup> )
			1→2 (P→A)			2→3 (A→R)					
			C [dm <sup>3</sup> /(s bar)]	b	Cv	C [dm <sup>3</sup> /(s bar)]	b	Cv			
Body ported	SYJA312-M3	N.C.	—	—	—	—	—	—	M3 x 0.5	18	0.9
	SYJA322-M3	N.O.	—	—	—	—	—				
Base mounted (with sub-plate)	SYJA314-M5	N.C.	0.41	0.18	0.086	0.35	0.33	0.086		M5 x 0.8	
	SYJA324-M5	N.O.	0.36	0.31	0.089	0.36	0.31	0.089			

Note) Model No. for base mounted type without sub-plate is SYJA3<sup>1</sup>/<sub>2</sub>-4.

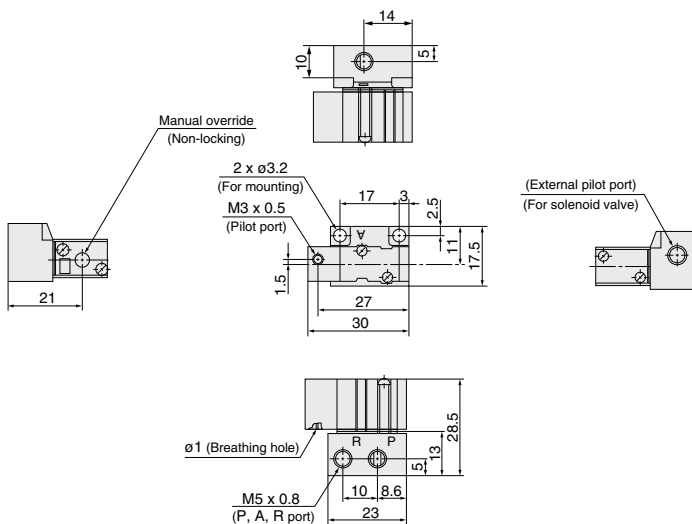
# SYJA300 Series

## Dimensions

### Body ported: SYJA3□2-M3(-F)



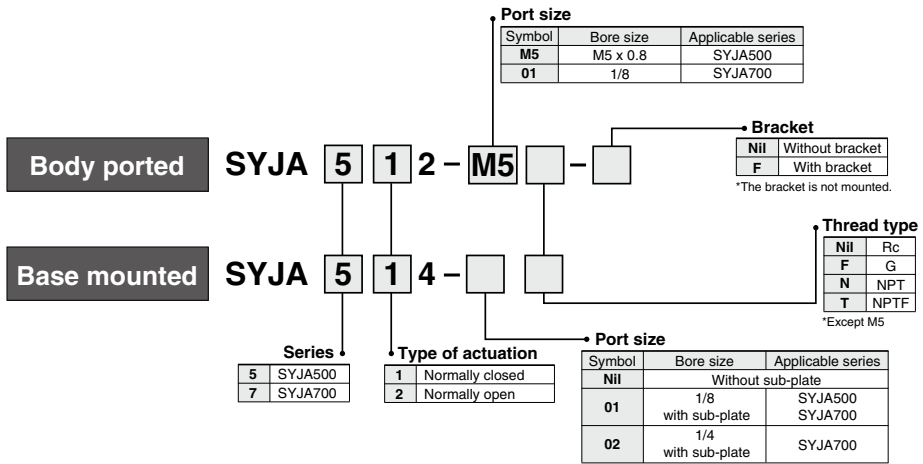
### Base mounted: SYJA3□4-M5



# 3 Port Air Operated Valve

# SYJA500/700 Series

## How to Order



- SYA
- SYJA
- VZA
- VFA
- VFRA
- VPA4
- SYJA**
- VZA
- VTA
- VGA
- VPA
- VPA3

## How to Order Manifold Base

Same manifolds as SYJ500/700 series are prepared.

(For SYJA500) **SS3YJA5** - Fill the same as SS3YJ5.

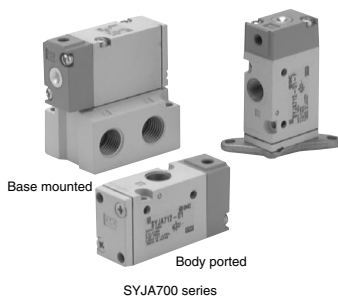
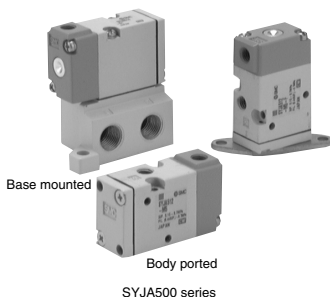
(For SYJA700) **SS3YJA7** - Fill the same as SS3YJ7.

\* Instruct by specifying the valves and blanking plate assembly to be mounted on the manifold along with the manifold base model no.

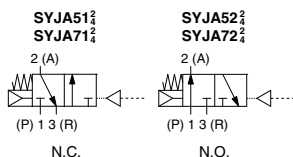
(Ex.) **SS3YJA5-40-03-01** ..... 1 set      (Ex.) **SS3YJA7-41-03-01** ..... 1 set  
 \* SYJA514 ..... 2 sets                      \* SYJA714 ..... 2 sets  
 \* SYJ500-10-3A ..... 1 set                   \* SYJ700-10-2A ..... 1 set

↳ The asterisk denotes the symbol for assembly. Prefix it to the part nos. of the solenoid valve, etc.

# SYJA500/700 Series



## Symbol



## Specifications

Fluid	Air
Operating pressure range MPa	0.15 to 0.7
Pilot pressure range MPa <sup>Note 1)</sup>	(0.4 x P + 0.1) to 0.7 P: Operating pressure range
Ambient and fluid temperature (°C)	-10 to 60 (No freezing)
Lubrication	Not required
Mounting orientation	Unrestricted
Impact/Vibration resistance (m/s <sup>2</sup> ) <sup>Note 2)</sup>	300/50

Note 1) Be certain that pressure within operating pressure range be supplied to supply port, because return pressure is introduced from supply port (1(P)) for activation.

Note 2) Impact resistance: No malfunction resulted from the impact test using a drop impact tester. The test was performed on the axis and right angle directions of the main valve, when pilot signal is ON and OFF. (Value in the initial state)

Vibration resistance: No malfunction occurred in one sweep test between 45 and 2000 Hz.

Test was performed to axis and right angle directions of the main valve when pilot signal is ON and OFF. (Value in the initial state)

## With Bracket

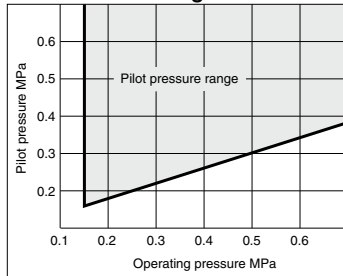
Air operated valve type	SYJA5 <sub>2</sub> <sup>2</sup> -M5-F, SYJA7 <sub>2</sub> <sup>2</sup> -O1-F
-------------------------	--

Note) The bracket is not mounted.

Bracket assembly part no.	Applicable series
SYJ5000-13-3A	SYJA500
SYJ700-19-1A	SYJA700

\*Mounting screws included.

## Pilot Pressure Range



## ⚠ Caution

Be sure to read this before handling the products. Refer to back page 50 for Safety Instructions and pages 3 to 9 for 3/4/5 Port Solenoid Valve Precautions.

## Flow Rate Characteristics/Weight

Valve model	Type of actuation	Port size	Flow rate characteristics						Pilot port size	Weight (g)	
			1→2 (P→A)			2→3 (A→R)					
			C [dm <sup>3</sup> /(s bar)]	b	Cv	C [dm <sup>3</sup> /(s bar)]	b	Cv			
Body ported	SYJA512-M5	N.C.	M5 x 0.8	0.53	0.45	0.14	0.47	0.39	0.12	M5 x 0.8	34
	SYJA522-M5	N.O.		0.66	0.45	0.18	0.66	0.45	0.18		
Base mounted (with sub-plate)	SYJA514-01	N.C.	1/8	1.2	0.41	0.32	1.1	0.46	0.32	M5 x 0.8	64 (Without sub-plate 34)
	SYJA524-01	N.O.		1.3	0.37	0.33	1.2	0.48	0.34		
Body ported	SYJA712-01	N.C.	1/8	2.8	0.43	0.77	2.5	0.51	0.76	M5 x 0.8	61
	SYJA722-01	N.O.		2.7	0.38	0.72	2.4	0.42	0.69		
Base mounted (with sub-plate)	SYJA714-01	N.C.	1/8	2.9	0.32	0.71	2.7	0.34	0.69	M5 x 0.8	111 (Without sub-plate 61)
	SYJA714-02		1/4	3.0	0.31	0.74	2.6	0.33	0.66		
	SYJA724-01	1/8	2.8	0.21	0.70	2.3	0.45	0.63			
	SYJA724-02	1/4	2.7	0.31	0.68	2.3	0.48	0.64			

Note) Model No. for base mounted type without sub-plate is SYJA5<sub>2</sub><sup>2</sup>4, SYJA7<sub>2</sub><sup>2</sup>4.

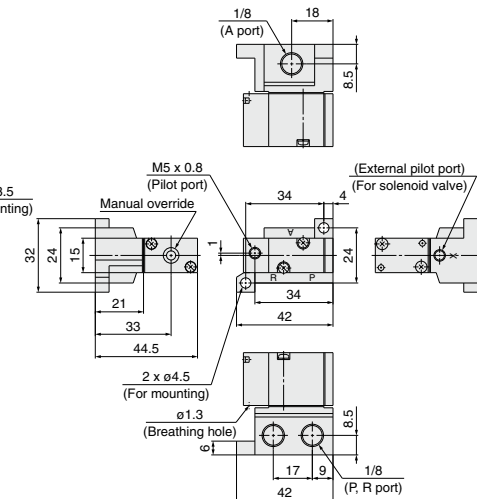
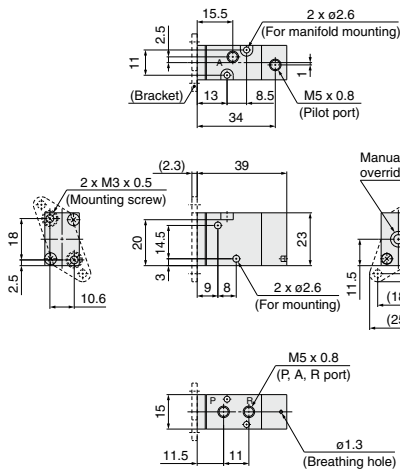
# 3 Port Air Operated Valve SYJA500/700 Series

## Dimensions

### SYJA500 Series

Body ported: SYJA5□2-M5(-F)

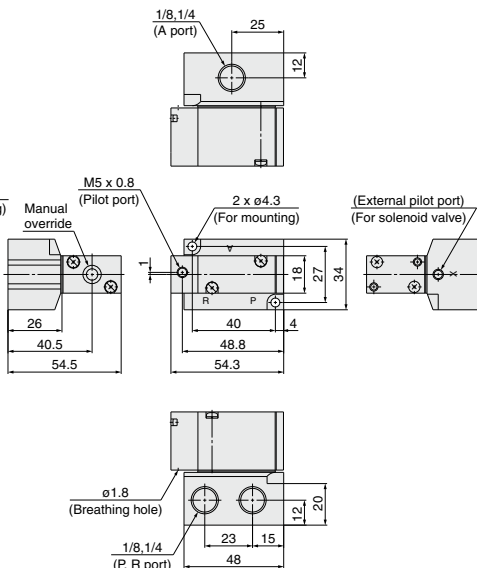
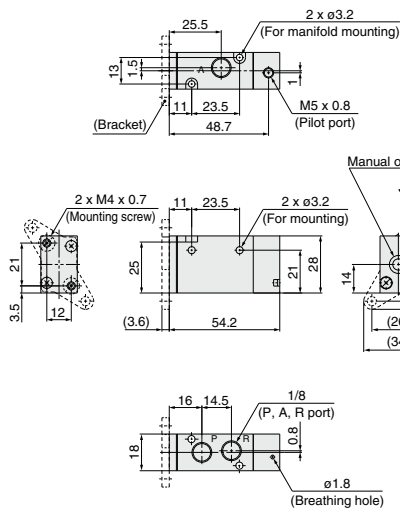
Base mounted: SYJA5□4-01□



### SYJA700 Series

Body ported: SYJA7□2-01(-F)

Base mounted: SYJA7□4-01□



SYA
SYJA
VZA
VFA
VFRA
VPA4
SYJA
VZA
VTA
VGA
VPA
VPA3